



US00D890538S

(12) **United States Design Patent** (10) **Patent No.:** **US D890,538 S**  
**Weldon et al.** (45) **Date of Patent:** **\*\* Jul. 21, 2020**

(54) **MULTIPLE POSITION CHAIR WITH WHEELS**

FOREIGN PATENT DOCUMENTS

(71) Applicant: **OME Gear Co.**, Mt. Pleasant, SC (US)

EP 0550940 B1 7/1993  
FR 3021853 A1 12/2015

(72) Inventors: **Julie Weldon**, Mt. Pleasant, SC (US); **Stacey Pierce**, Mt. Pleasant, SC (US); **Robert Evans**, Greer, SC (US); **Lynn Weirick**, Greenville, SC (US); **Jaelyn Lynch**, Greenville, SC (US); **Shawn Quinn**, Waterford, MI (US); **Alex Grube**, Roseville, MI (US)

*Primary Examiner* — Mimoso De

(74) *Attorney, Agent, or Firm* — Gregory Finch; Finch Paolino, LLC

(73) Assignee: **OME Gear Co.**, Mt. Pleasant, SC (US)

(57) **CLAIM**

The ornamental design for a multiple position chair with wheels, as shown and described.

(\*\*) Term: **15 Years**

**DESCRIPTION**

(21) Appl. No.: **29/717,112**

(22) Filed: **Dec. 14, 2019**

**Related U.S. Application Data**

(63) Continuation-in-part of application No. 16/020,311, filed on Jun. 27, 2018.

(30) **Foreign Application Priority Data**

Jun. 26, 2019 (WO) ..... PCT/US19/39316

(51) **LOC (12) Cl.** ..... **06-01**

(52) **U.S. Cl.**  
USPC ..... **D6/368**; D6/361

(58) **Field of Classification Search**  
USPC ..... D6/334-336, 361, 367, 368, 371, 373,  
D6/375, 379, 380, 716, 716.1, 716.2,  
D6/716.3, 716.4

(Continued)

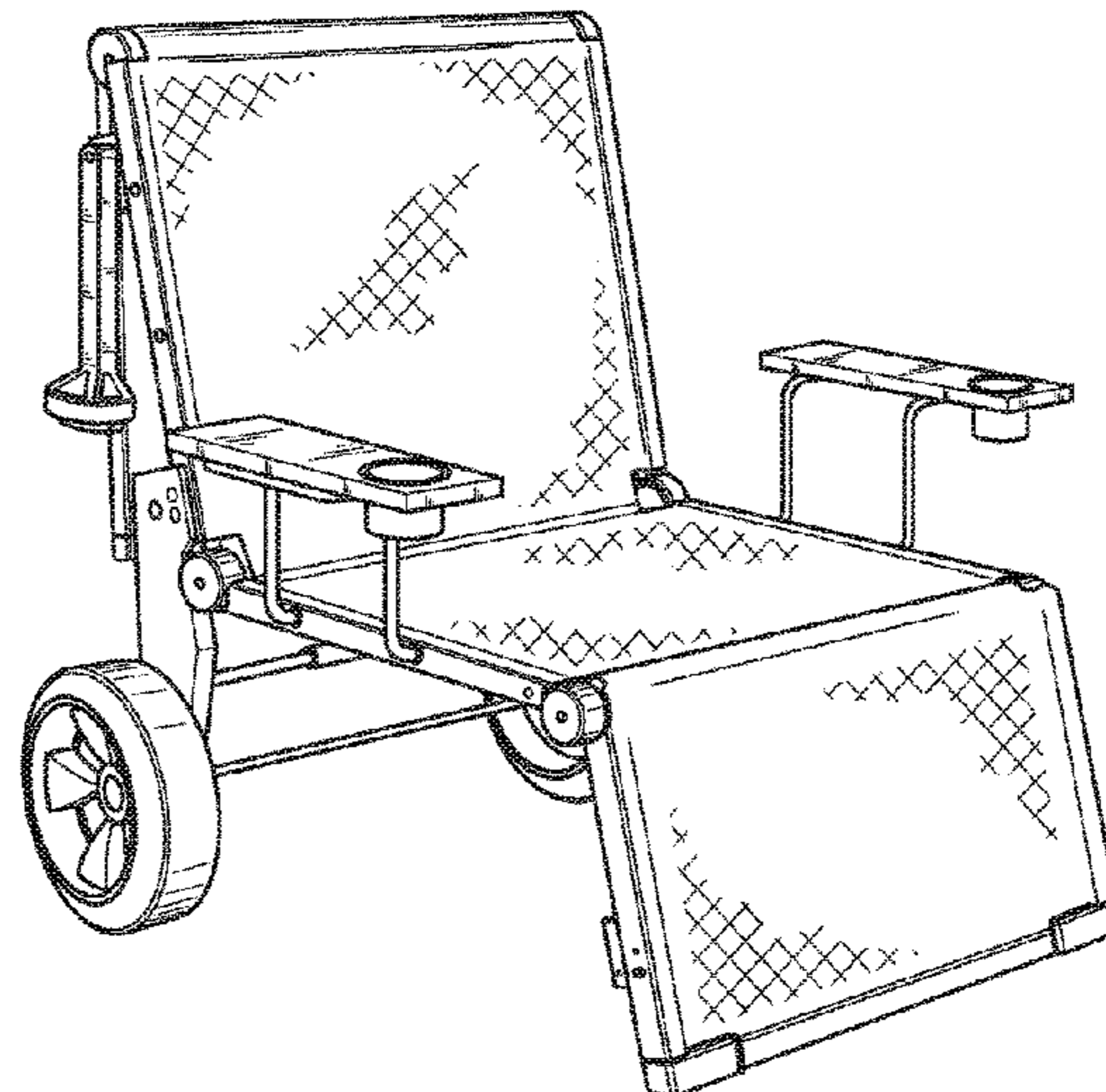
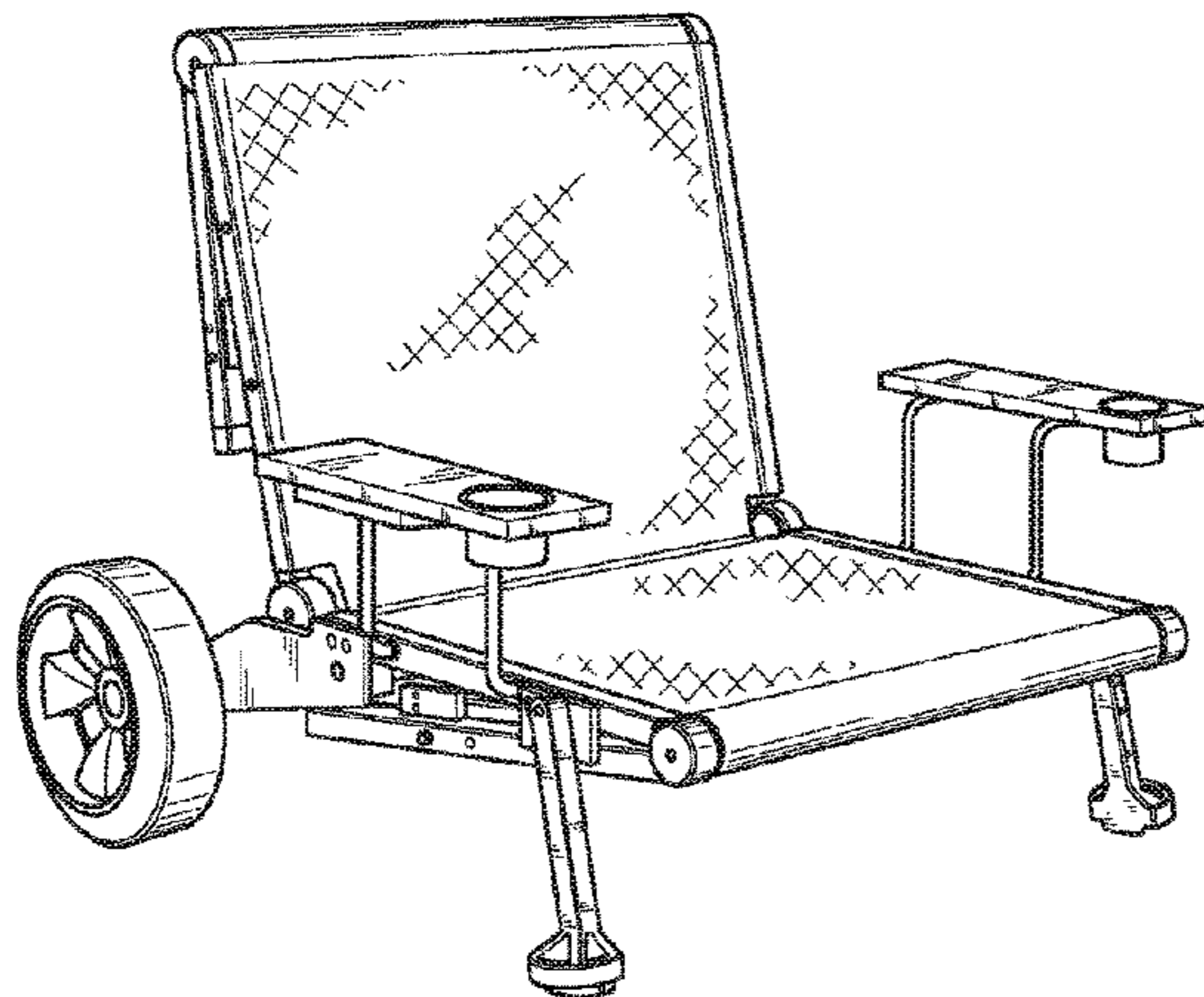
(56) **References Cited**

**U.S. PATENT DOCUMENTS**

D279,841 S \* 7/1985 Edmondson ..... D6/367  
6,079,777 A 6/2000 Simmons et al.

(Continued)

**1 Claim, 12 Drawing Sheets**



(58) **Field of Classification Search**

CPC .... A47C 1/14; A47C 4/00; A47C 4/28; A47C  
4/30; A47C 4/32; A47C 4/38; A47C 4/40

See application file for complete search history.

(56) **References Cited**

U.S. PATENT DOCUMENTS

6,131,925	A	10/2000	Weldon	
D490,251	S *	5/2004	Lin .....	D6/335
D532,621	S *	11/2006	Lin .....	D6/368
D571,113	S *	6/2008	Cohen .....	D6/368
D648,148	S *	11/2011	Henry .....	D6/368
D660,032	S *	5/2012	Lin .....	D6/368
8,814,181	B1	8/2014	Weldon et al.	
8,967,651	B1	3/2015	Simic	
D860,572	S *	9/2019	Zhu .....	D6/368
10,448,741	B2 *	10/2019	Panigot .....	A47C 1/14
2004/0183265	A1	9/2004	Vecchio	
2018/0000252	A1	1/2018	Weldon et al.	

\* cited by examiner

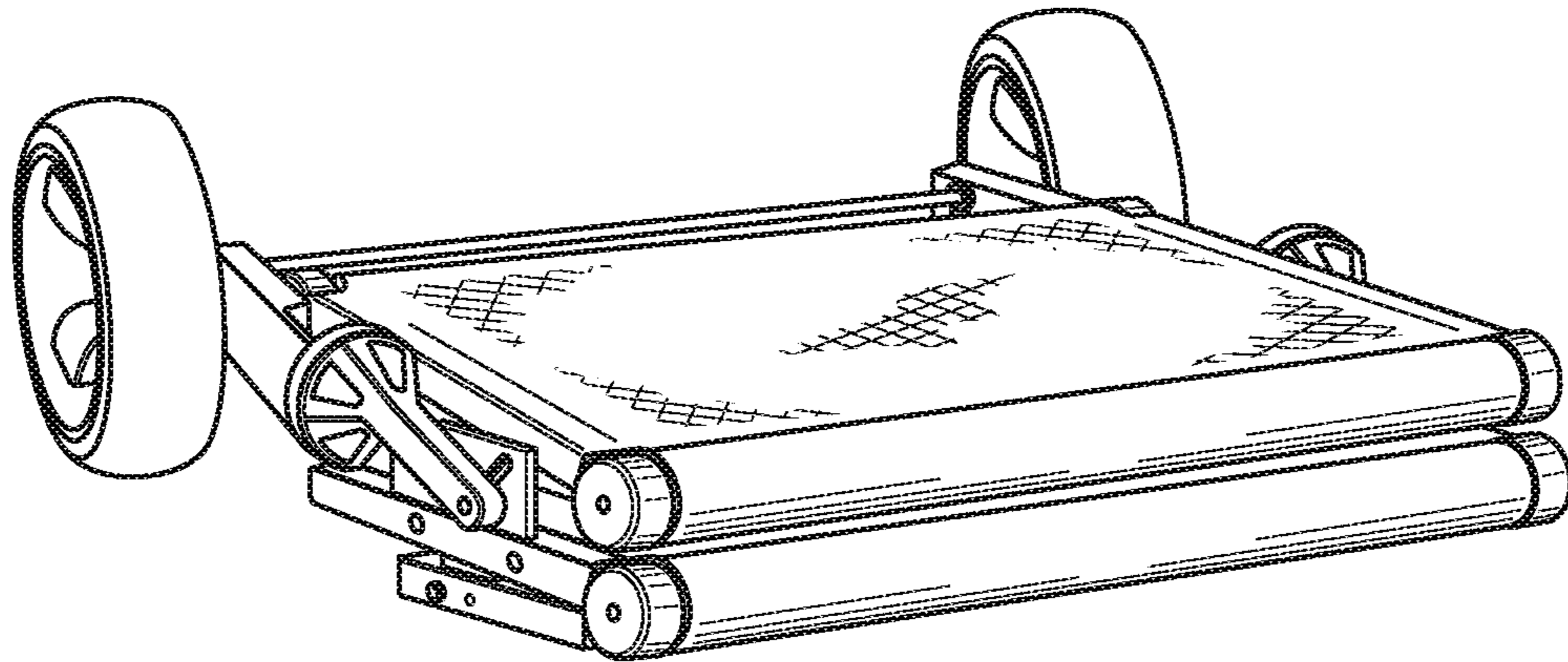


Fig. 1

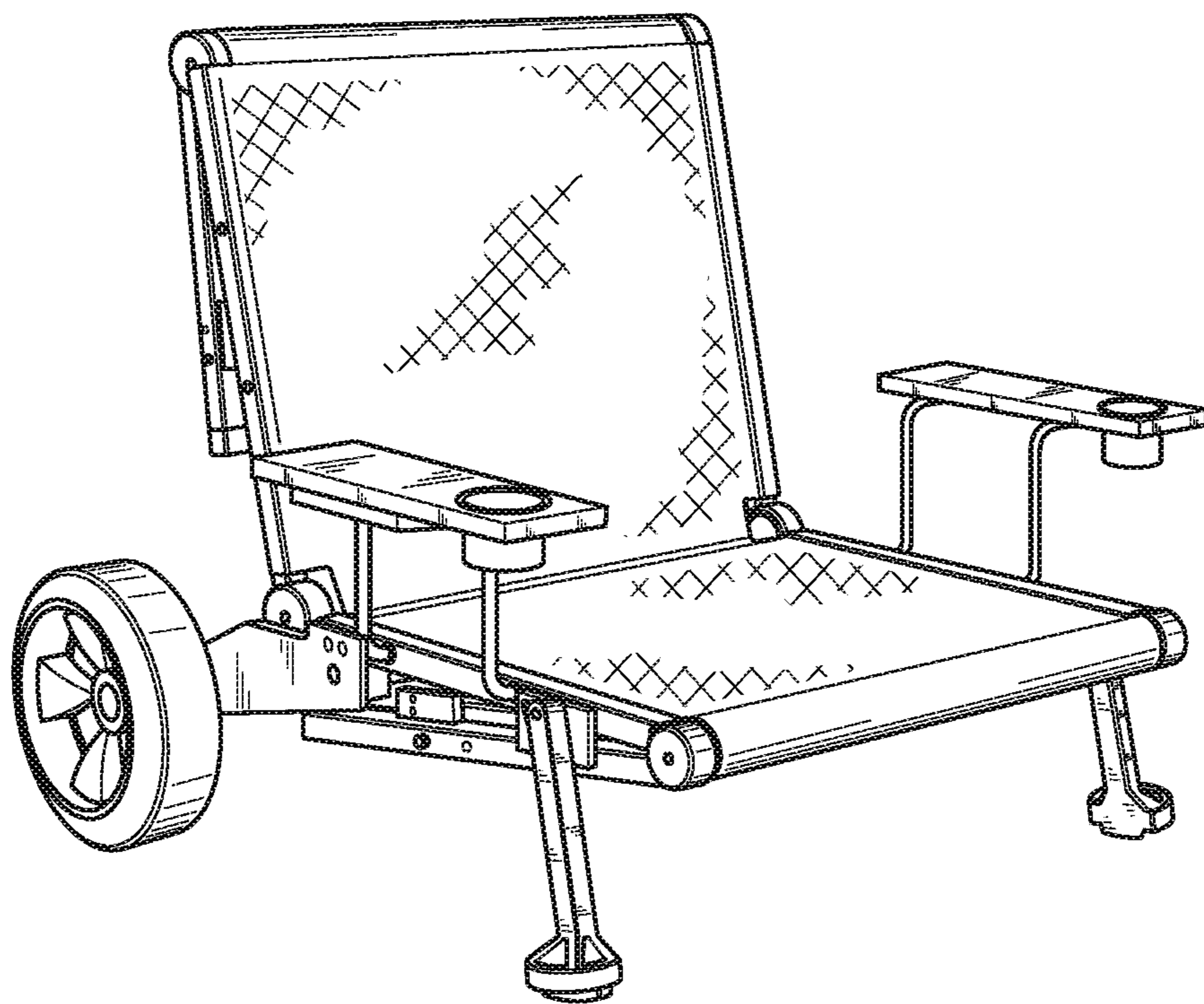


Fig. 2

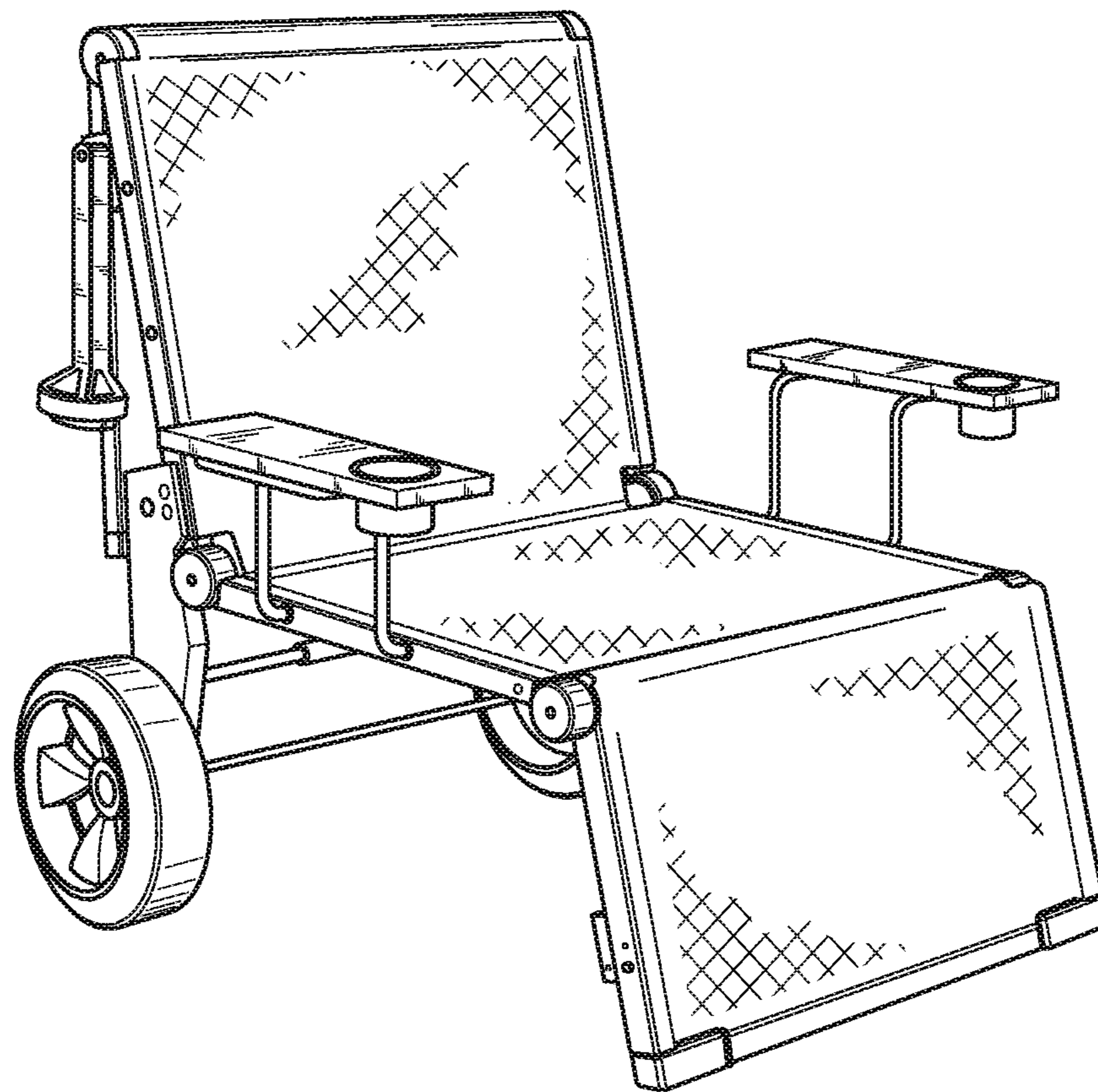


Fig. 3

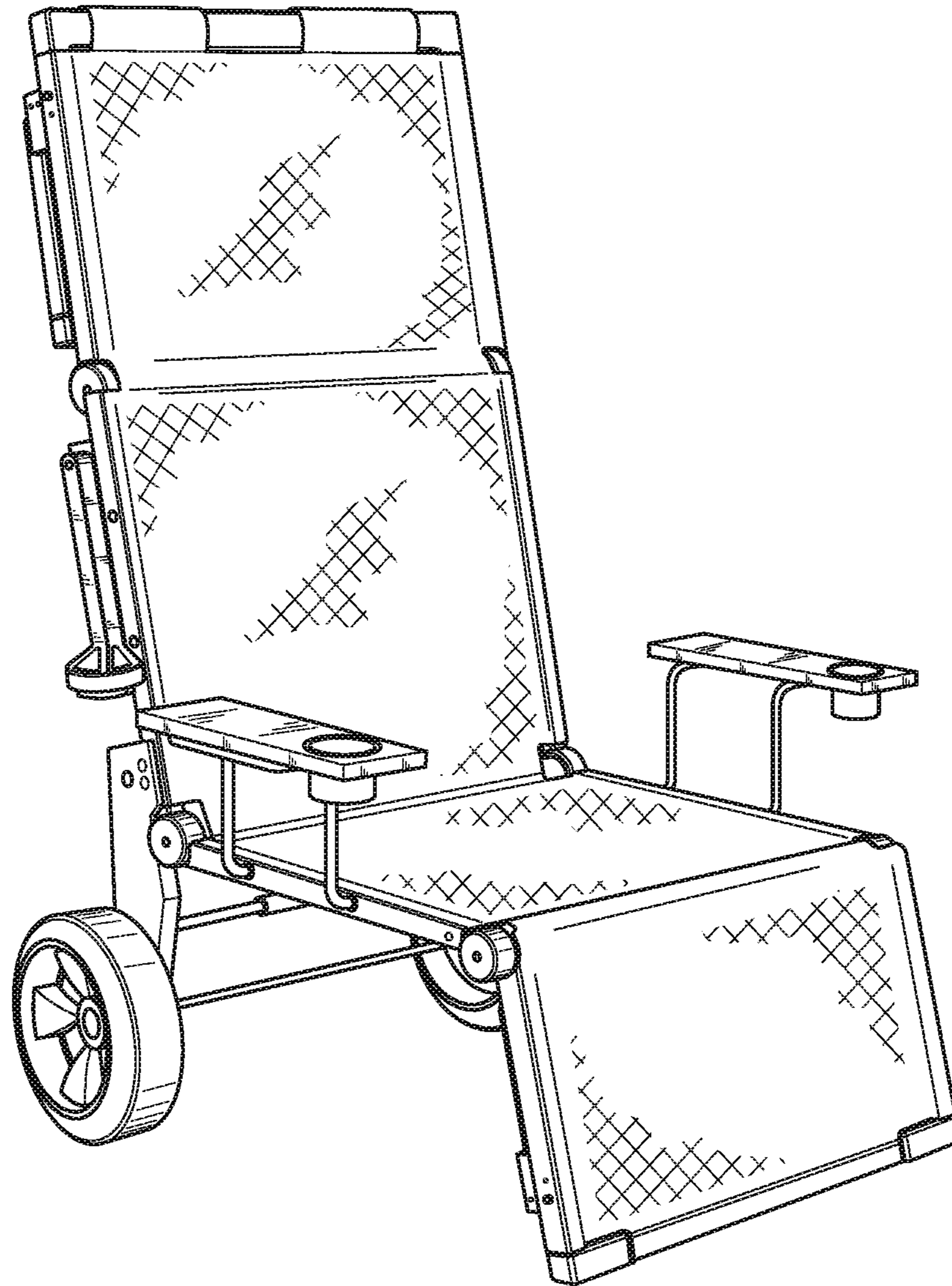


Fig. 4

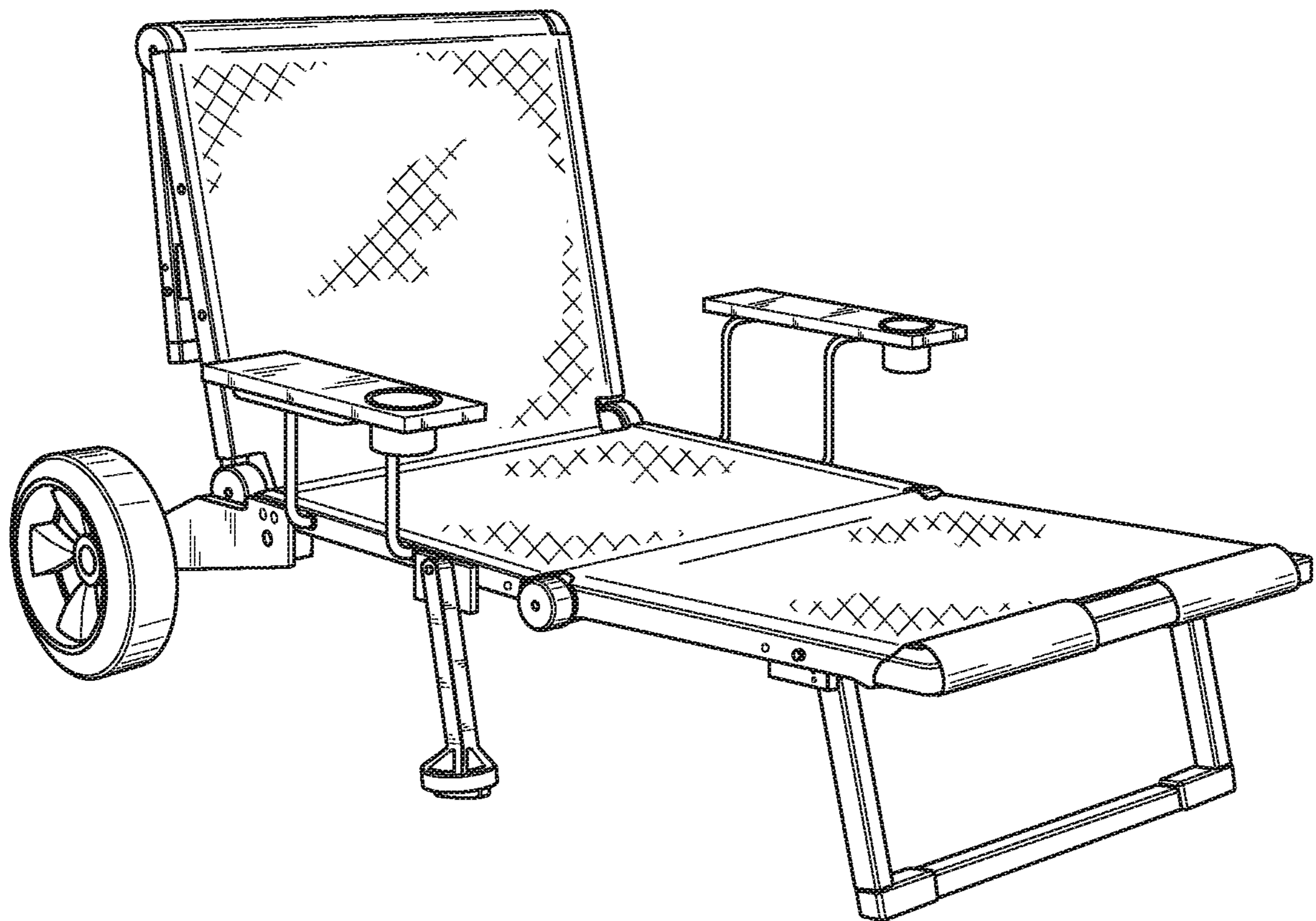


Fig. 5

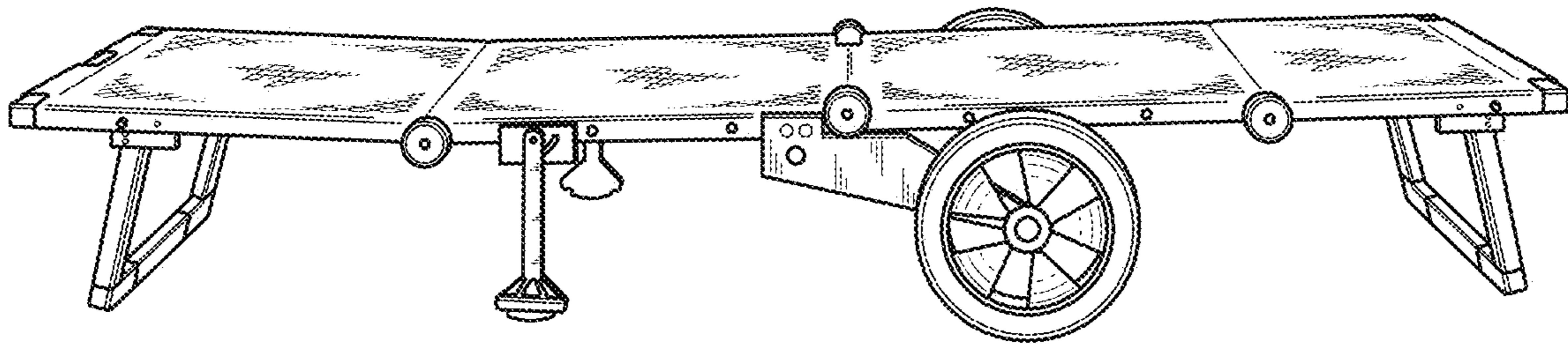


Fig. 6



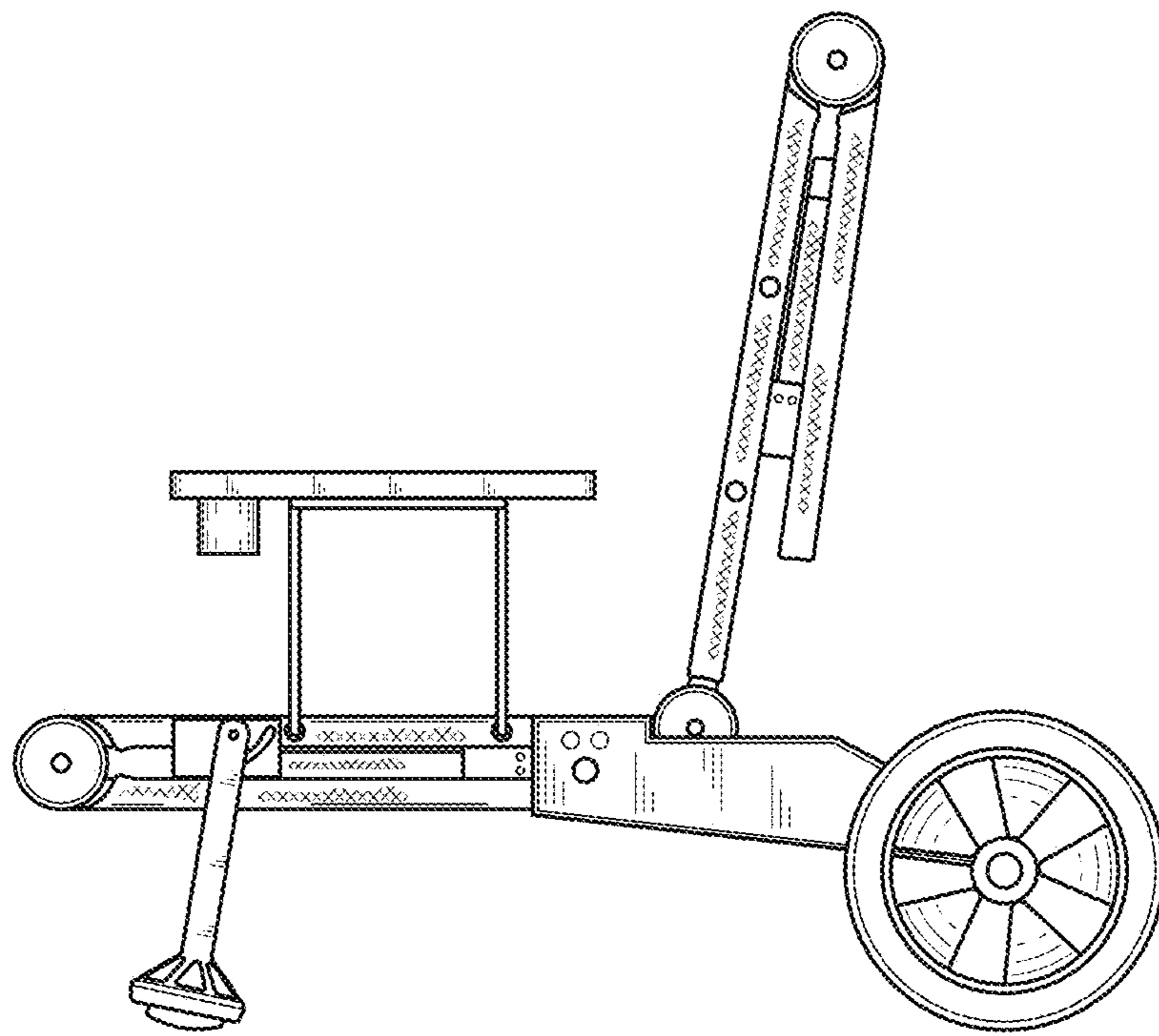


Fig. 7

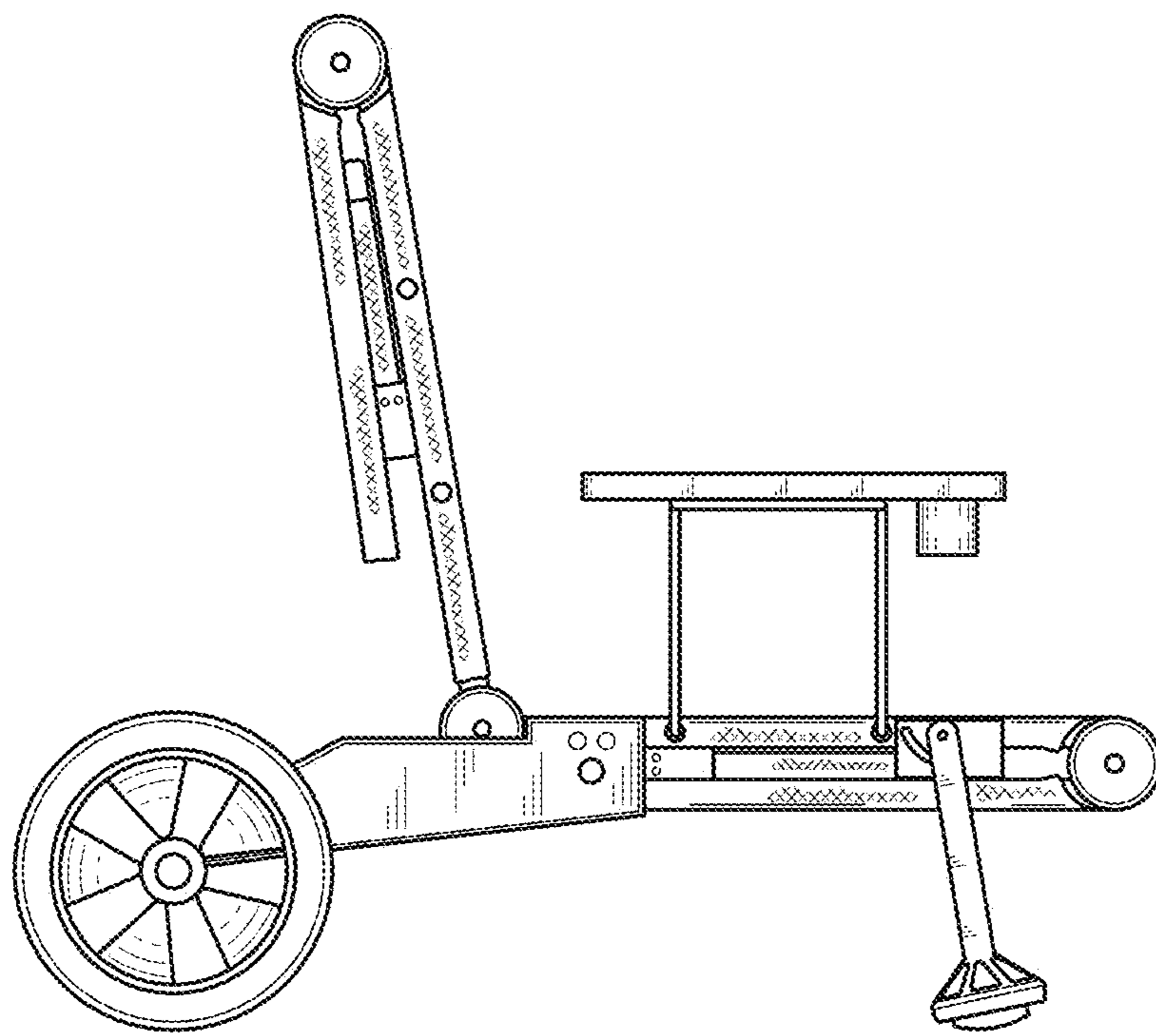


Fig. 8

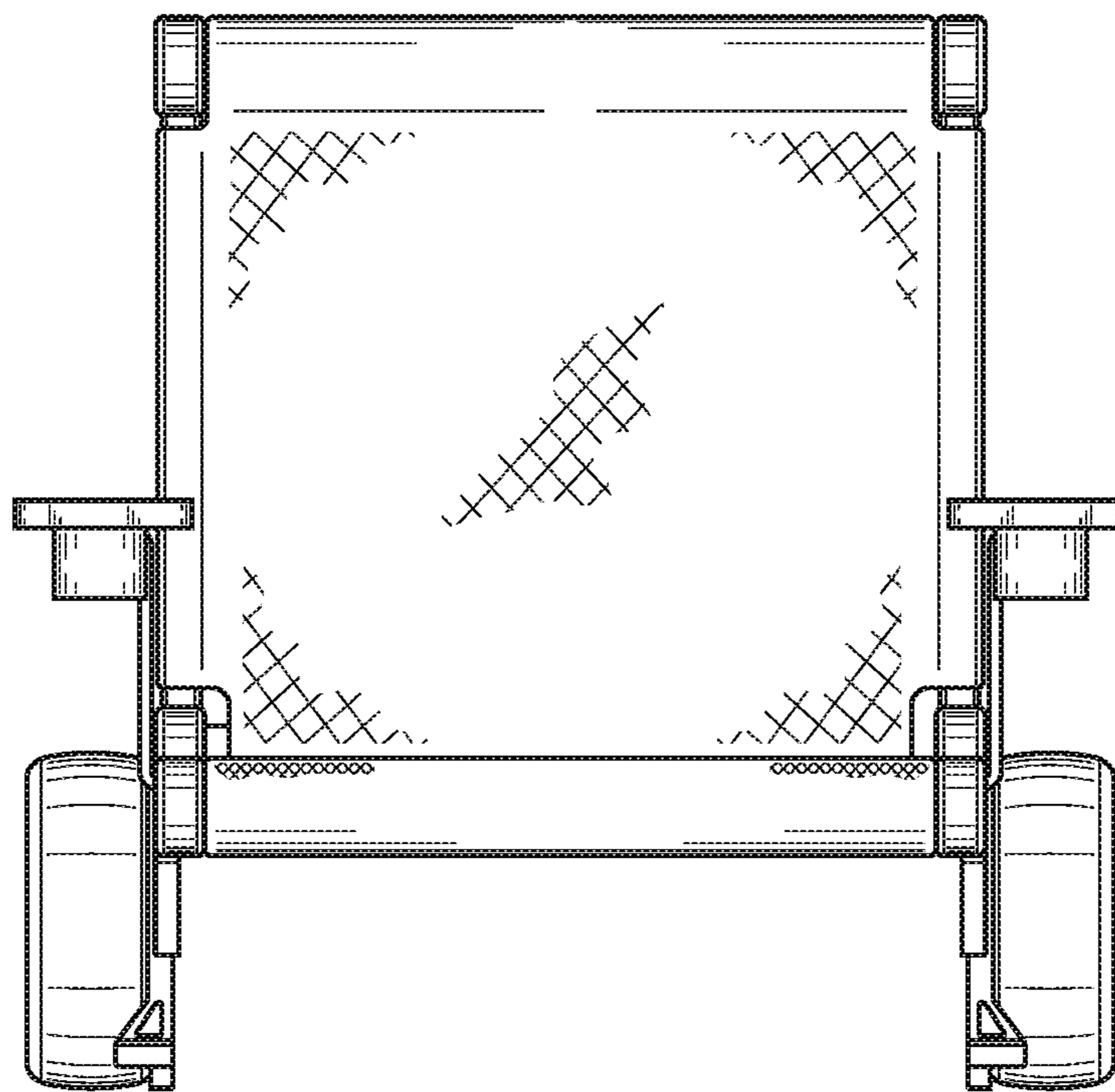


Fig. 9

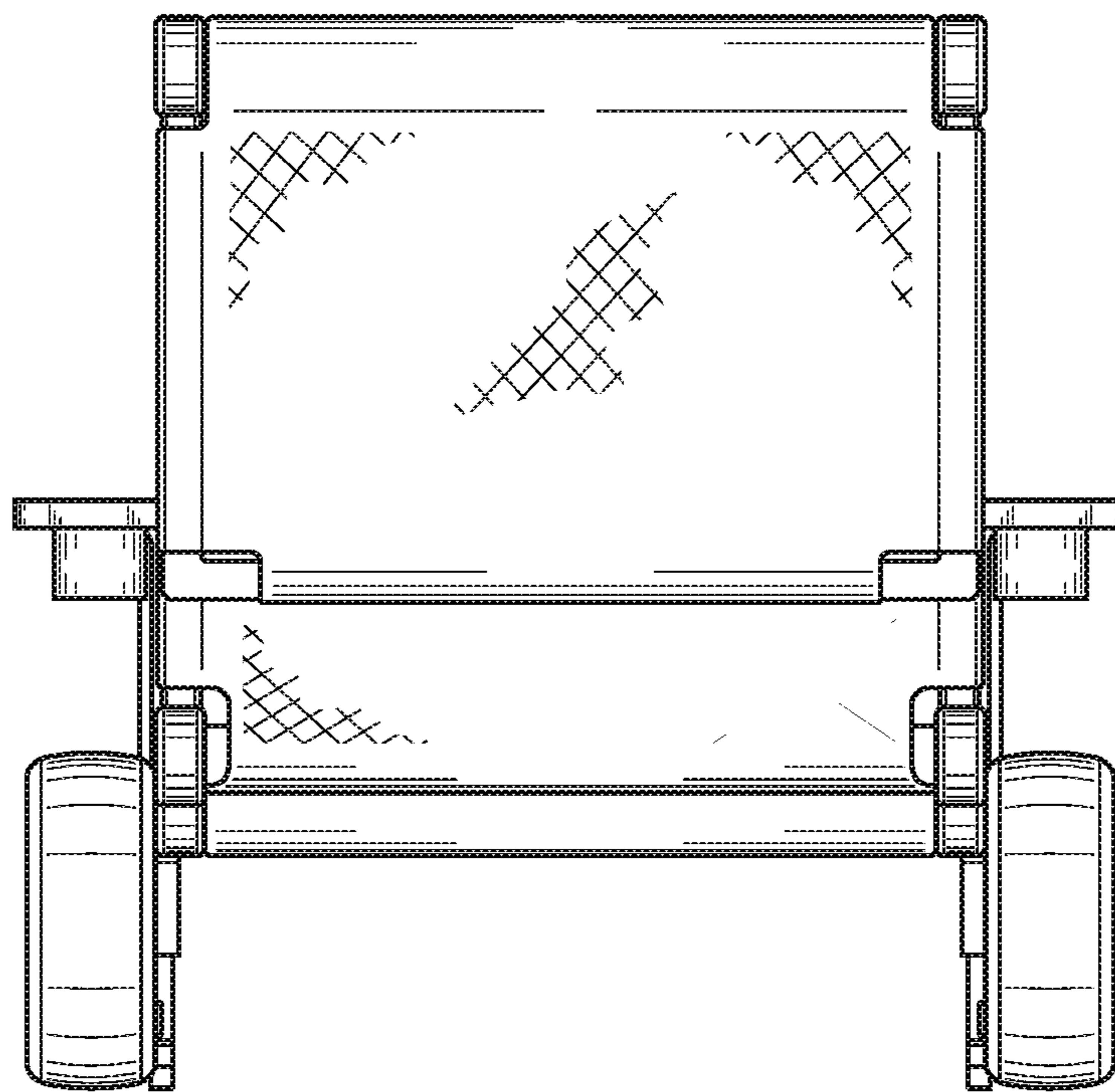


Fig. 10

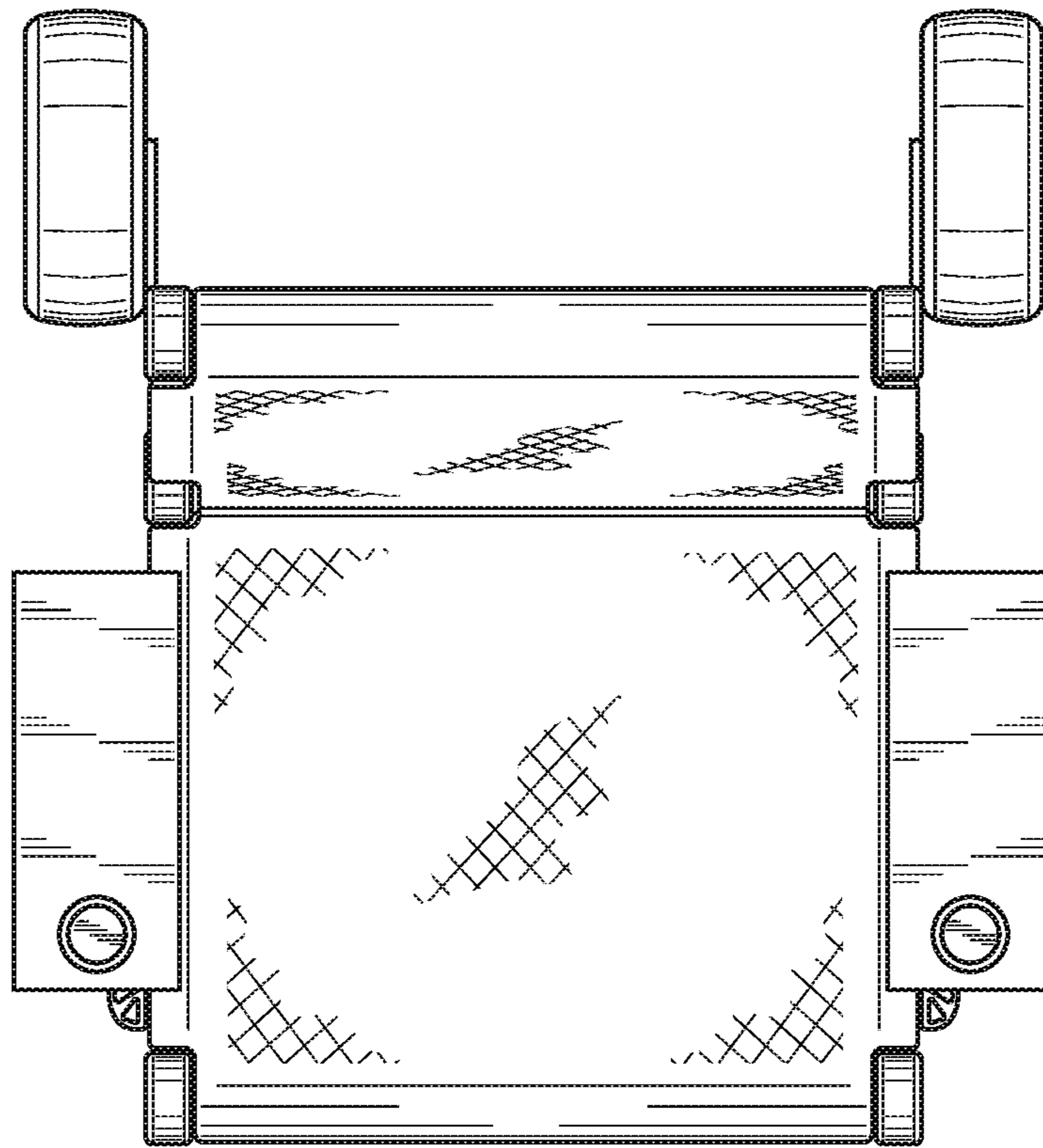


Fig. 11

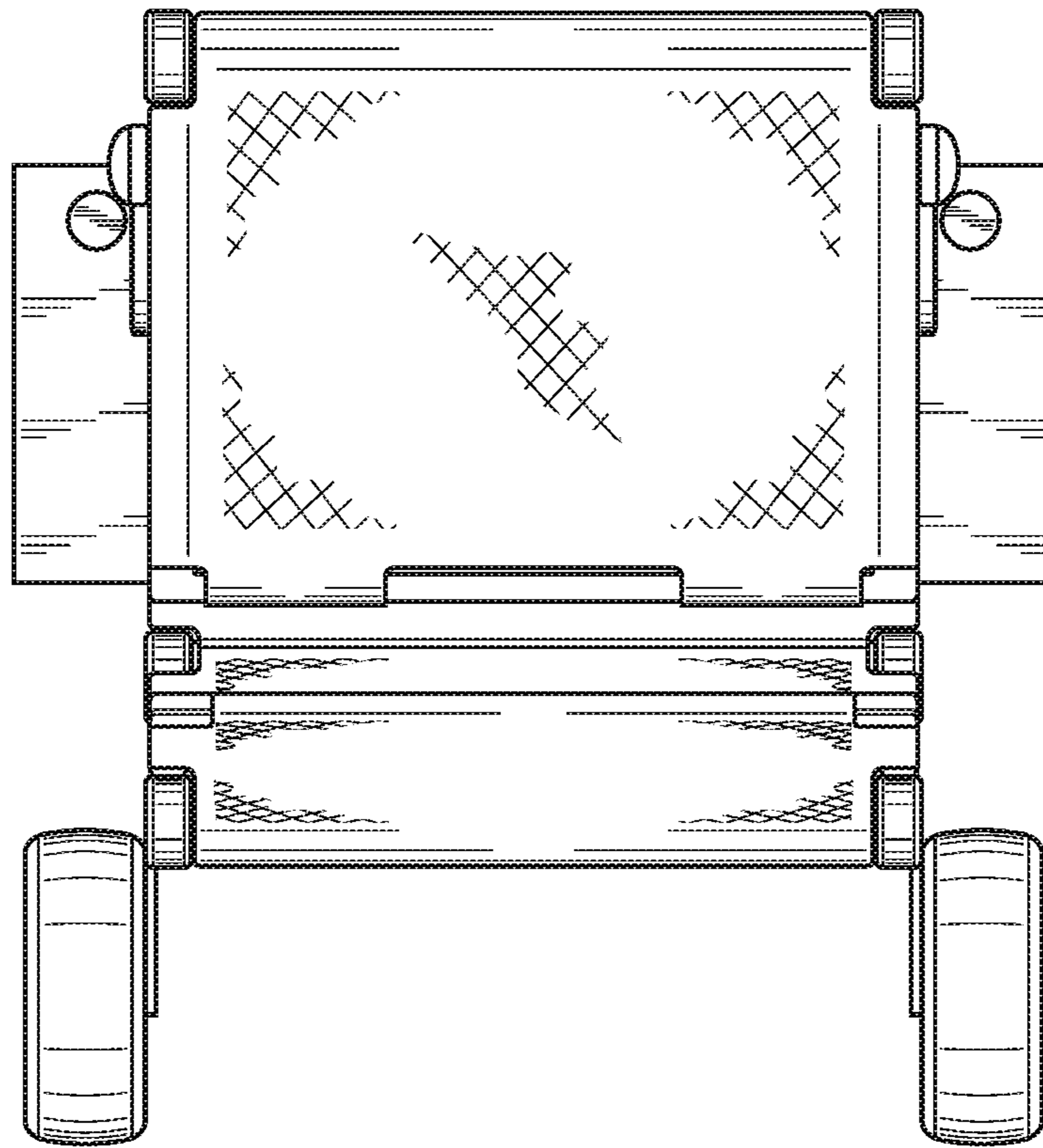


Fig. 12