



US00D890532S

(12) **United States Design Patent** (10) **Patent No.:** **US D890,532 S**
Lin (45) **Date of Patent:** **** Jul. 21, 2020**

(54) **MAKEUP BRUSH** 8,235,435 B2 * 8/2012 Campbell A47J 43/288
16/430
(71) Applicant: **Sisi Lin**, Foshan (CN) D675,449 S 2/2013 Martin et al.
9,681,735 B2 * 6/2017 Schreiber A46B 9/028
(72) Inventor: **Sisi Lin**, Foshan (CN) D802,938 S 11/2017 Nicoline
D826,573 S 8/2018 Nicoline et al.
D880,872 S * 4/2020 Burditt D4/138
(**) Term: **15 Years** 2013/0017010 A1 * 1/2013 Liu A45D 34/04
401/16

(21) Appl. No.: **29/731,543**

(Continued)

(22) Filed: **Apr. 16, 2020**

FOREIGN PATENT DOCUMENTS

(51) **LOC (12) Cl.** **04-02**

EM 003442771-0001 * 11/2016

(52) **U.S. Cl.**

Primary Examiner — Karen E Eldridge Powers

USPC **D4/138**

(58) **Field of Classification Search**

(57) **CLAIM**

USPC D4/114, 115, 116, 118, 120, 121, 122,
D4/123, 124, 127, 128, 130, 131, 133,
D4/134, 135, 136, 137, 138, 199; D28/7,
D28/8, 76; 15/104.94, 106; D7/401.2;
294/7

The ornamental design for a makeup brush, as shown and described.

CPC A46B 2200/1046; A46B 5/02; A46B 9/021
See application file for complete search history.

DESCRIPTION

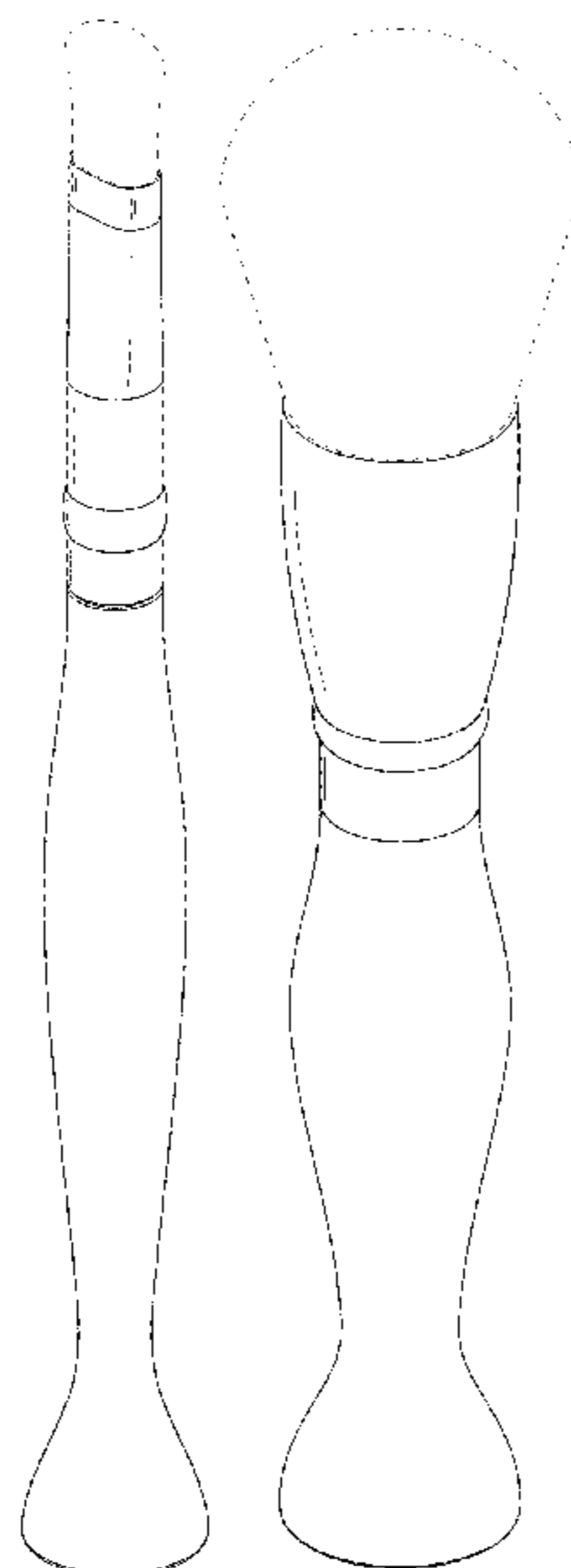
(56) **References Cited**

FIG. 1 is a perspective view of a makeup brush in accordance with a first embodiment showing my new design; FIG. 2 is another perspective view of the makeup brush shown in FIG. 1; FIG. 3 is a front elevational view thereof; FIG. 4 is a left side elevational view thereof; FIG. 5 is a top plan view thereof; FIG. 6 is a bottom plan view thereof; FIG. 7 is a perspective view of a makeup brush in accordance with a second embodiment; FIG. 8 is another perspective view of the makeup brush shown in FIG. 7; FIG. 9 is a front elevational view thereof; FIG. 10 is a left side elevational view thereof; FIG. 11 is a top plan view thereof; and, FIG. 12 is a bottom plan view thereof. The broken lines in the drawings depict portions of the makeup brush that form no part of the claimed design.

U.S. PATENT DOCUMENTS

238,297 A * 3/1881 Lawrence A46B 5/02
119/633
339,137 A * 4/1886 Brookbank A45D 24/40
15/104.5
RE16,869 E * 2/1928 Goldman A45D 29/16
132/75.3
3,276,062 A * 10/1966 Palumbo B01L 99/00
15/104.94
D278,952 S * 5/1985 Kalinsky D28/7
D288,988 S * 3/1987 Fomby D4/135
D304,392 S 11/1989 Reich
D350,853 S * 9/1994 Basque D4/135
5,881,421 A * 3/1999 Ducharme A46B 5/02
15/106
D427,777 S * 7/2000 Kim D4/135
D435,349 S 12/2000 Kim

1 Claim, 12 Drawing Sheets



(56)

References Cited

U.S. PATENT DOCUMENTS

2020/0009712 A1* 1/2020 Lin B25G 1/00

* cited by examiner

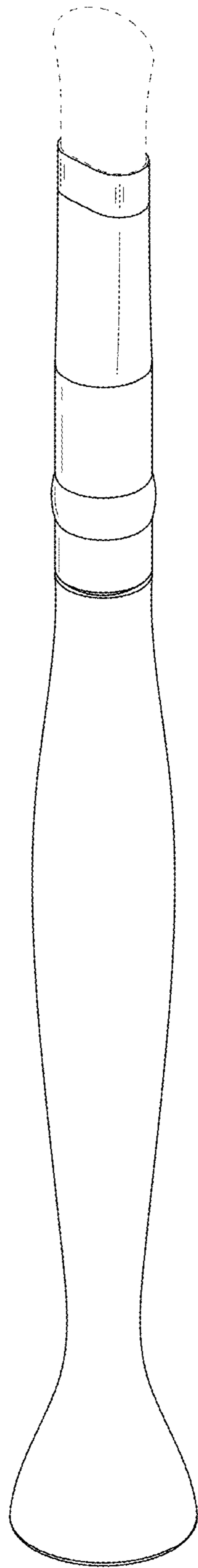


FIG. 1

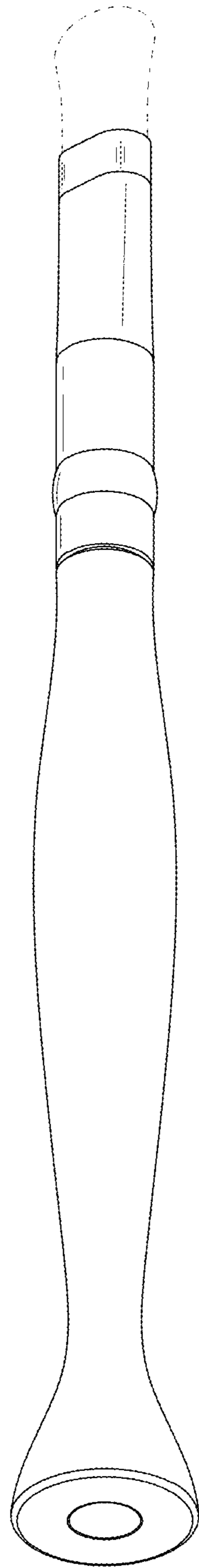


FIG. 2

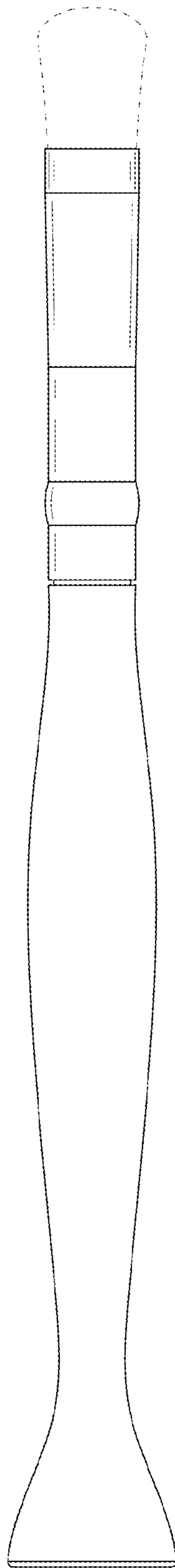


FIG. 3

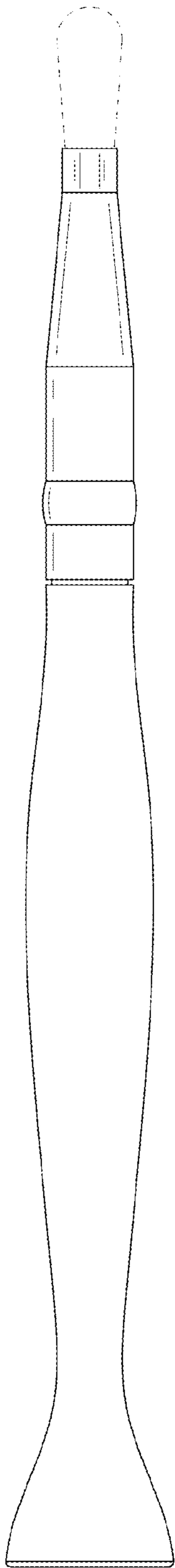


FIG. 4

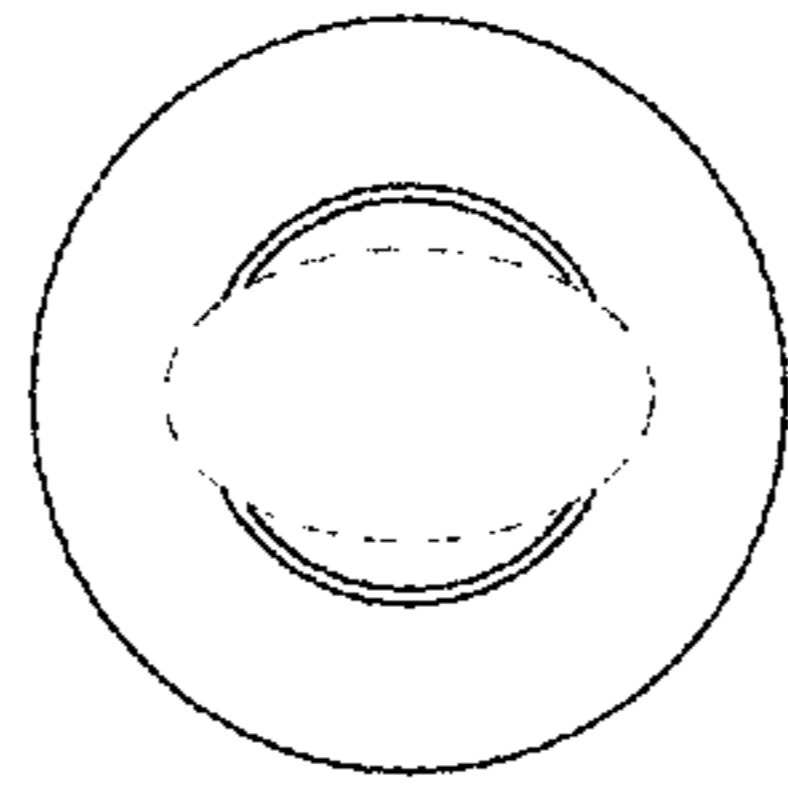


FIG. 5

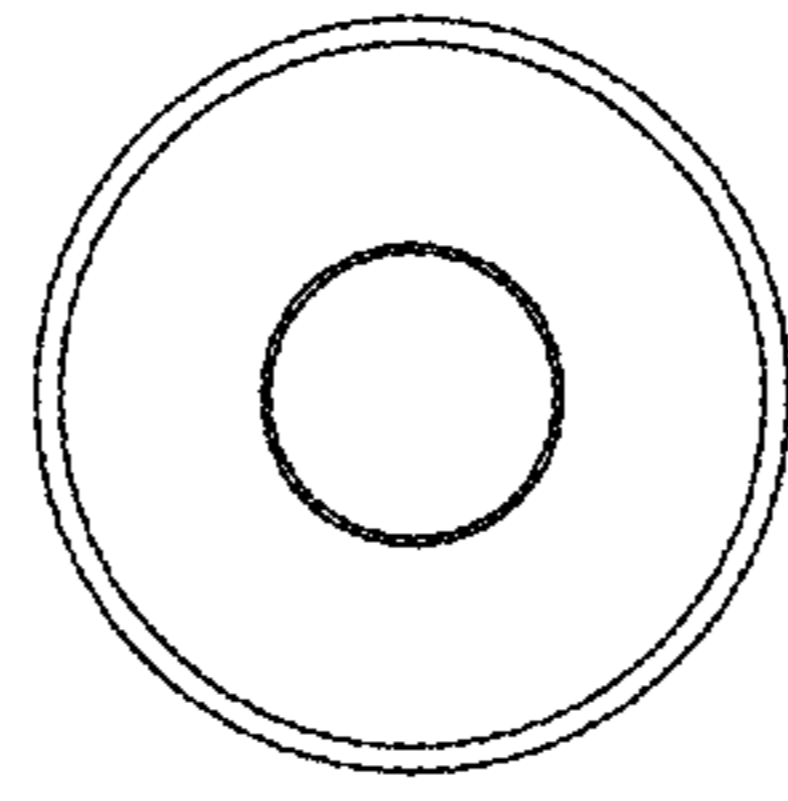


FIG. 6

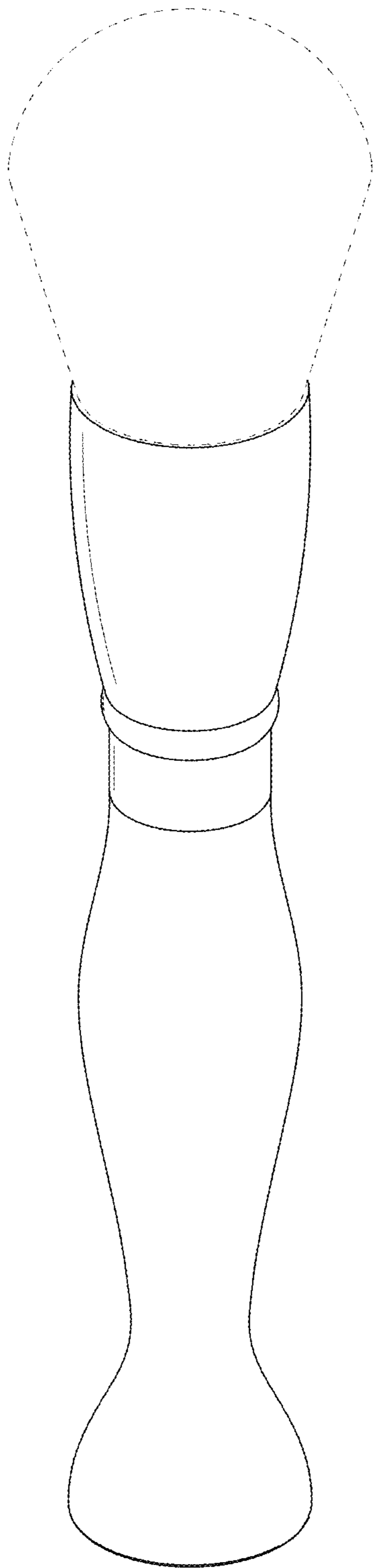


FIG. 7

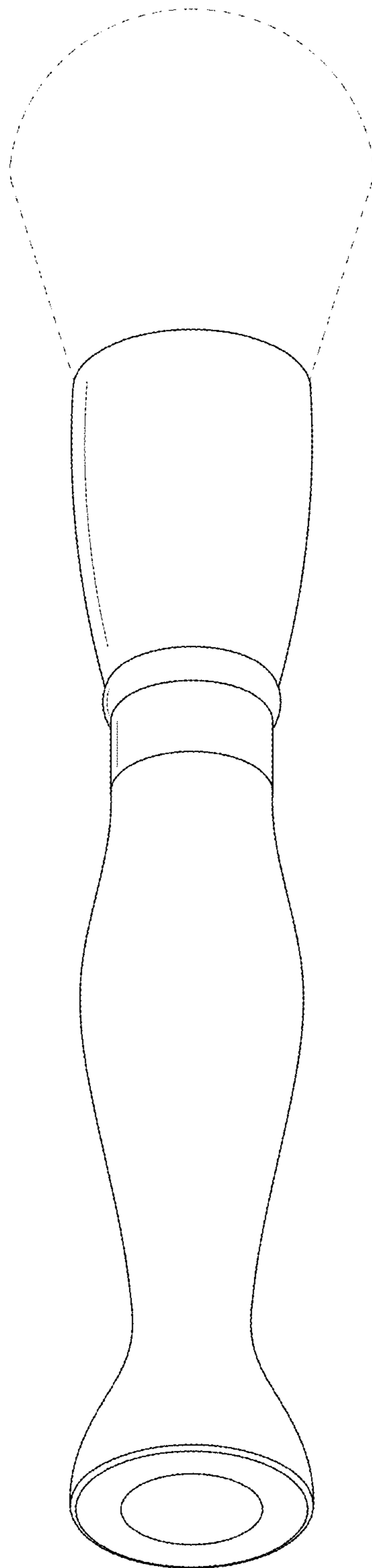


FIG. 8

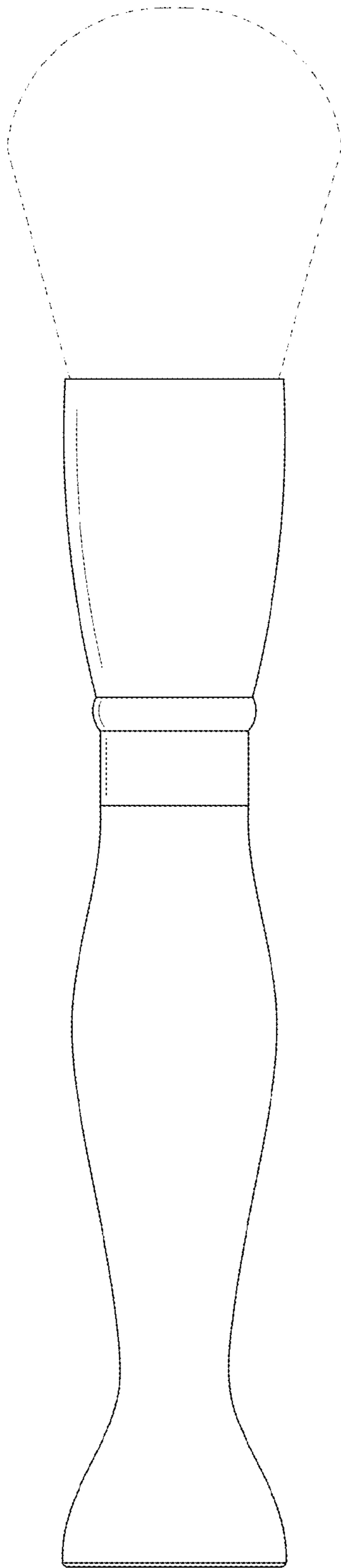


FIG. 9

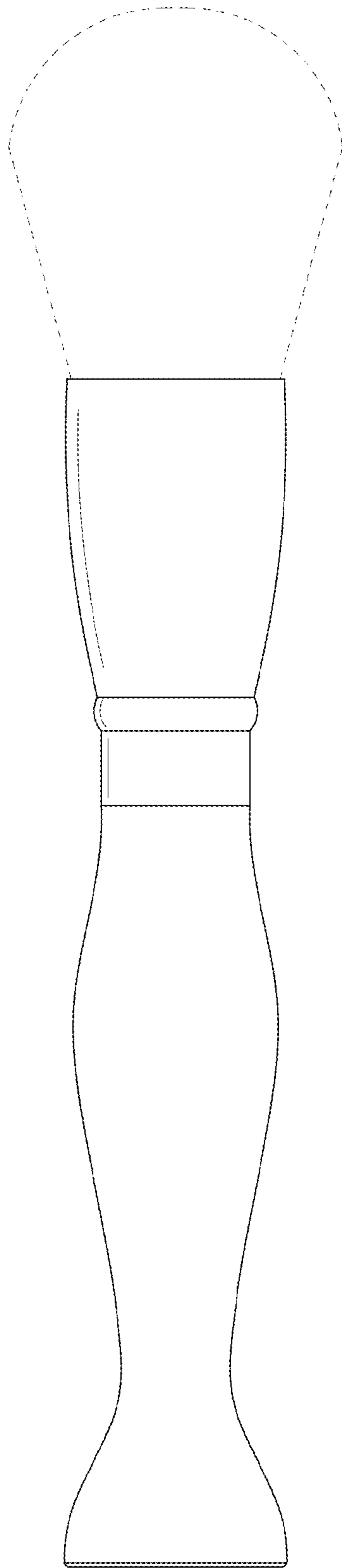


FIG. 10

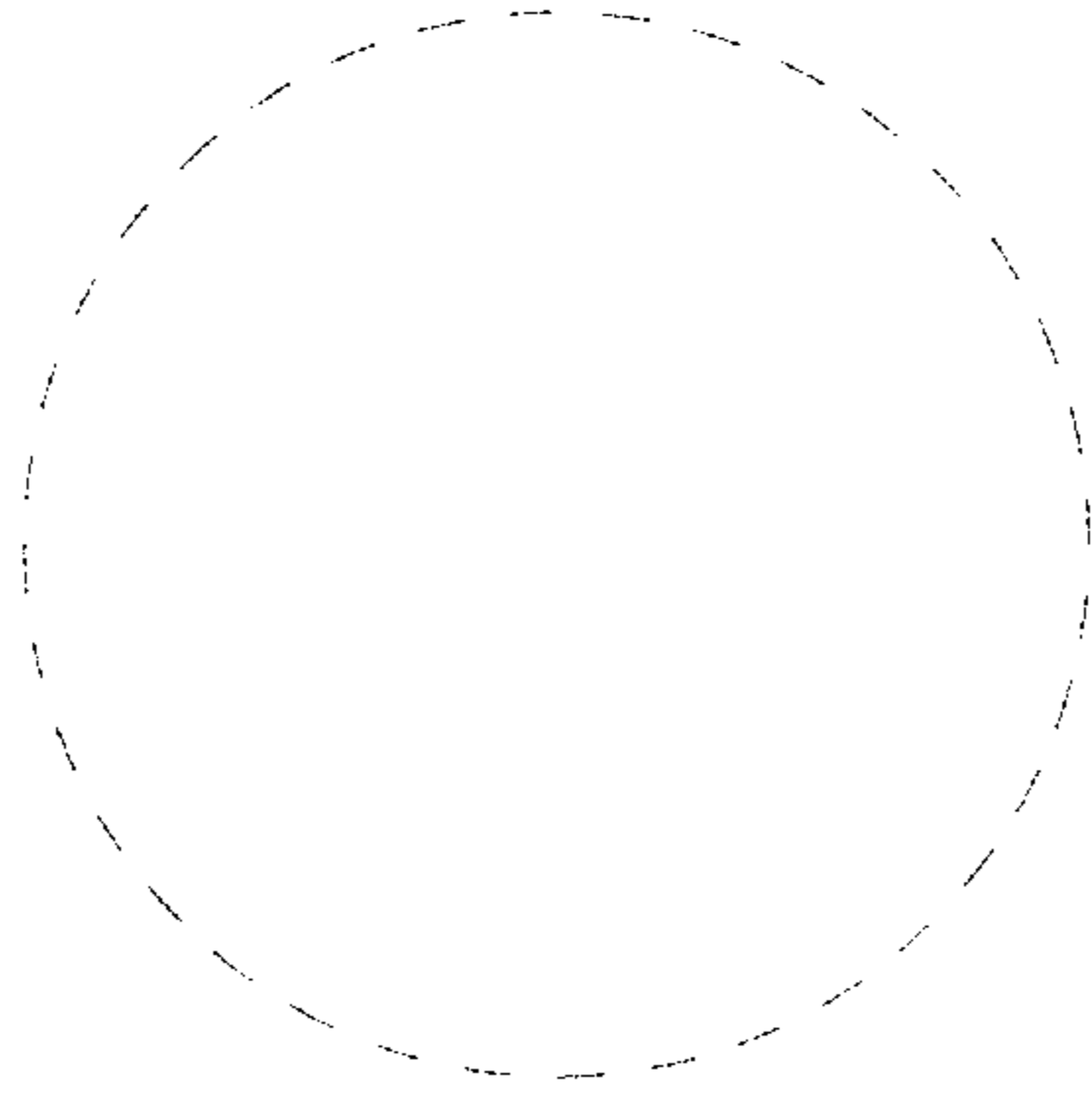


FIG. 11

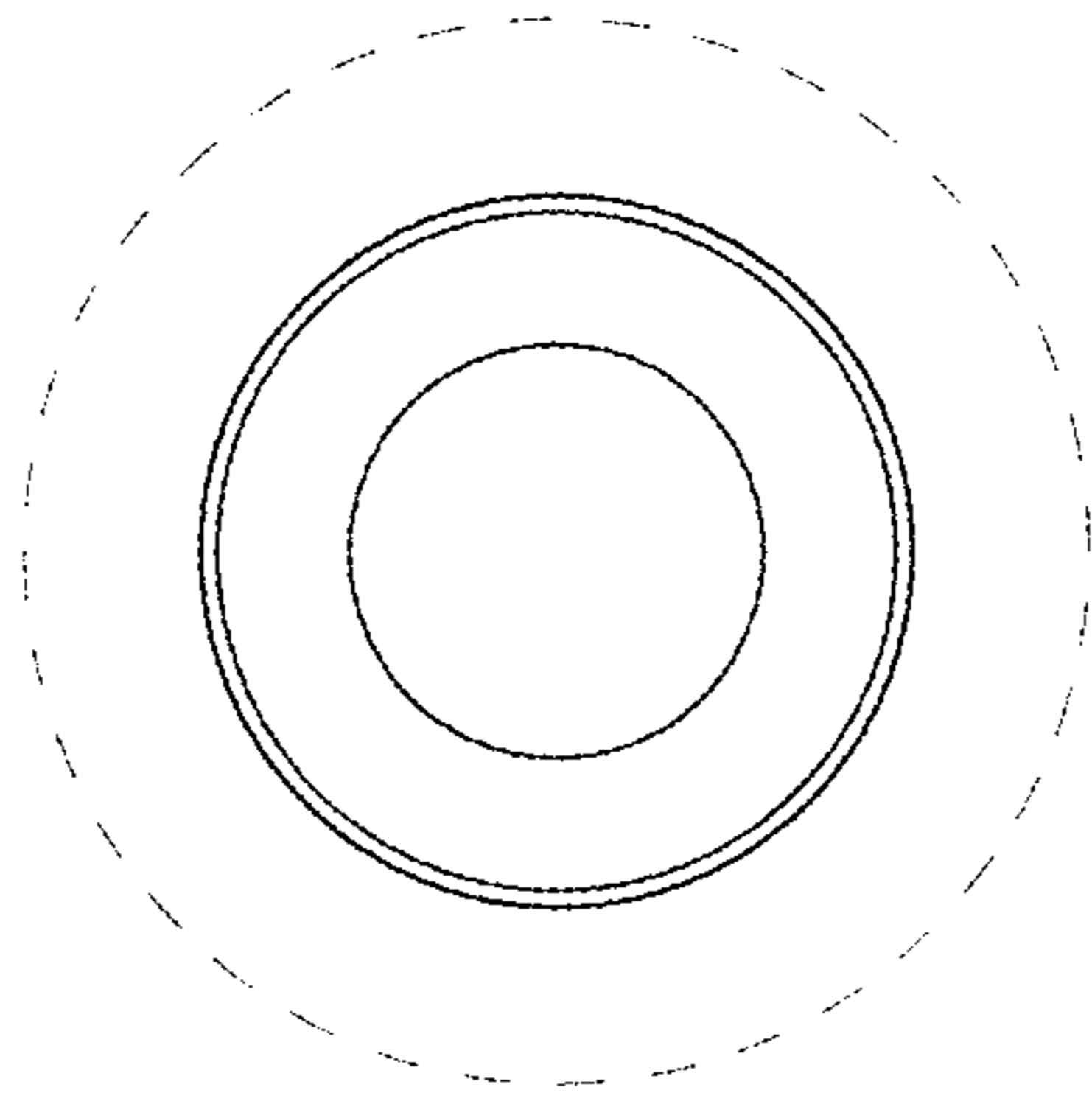


FIG. 12