



US00D890531S

(12) **United States Design Patent** (10) **Patent No.:** **US D890,531 S**
Quan (45) **Date of Patent:** **** Jul. 21, 2020**

(54) **PET HAIR REMOVER**
(71) Applicant: **Chengjun Quan**, Shenzhen (CN)
(72) Inventor: **Chengjun Quan**, Shenzhen (CN)
(**) Term: **15 Years**
(21) Appl. No.: **29/723,645**
(22) Filed: **Feb. 10, 2020**
(51) **LOC (12) Cl.** **04-99**
(52) **U.S. Cl.**
USPC **D4/137**
(58) **Field of Classification Search**
USPC D1/126, 127, 130, 199; D6/595-601;
D24/119, 124-126; D28/7, 8, 20-22,
D28/30-31, 76, 85, 99; D32/35, 40-46;
D30/158; D4/116, 117, 118, 119, 120,
D4/132, 134, 138, 130, 136, 199, 122,
D4/137
CPC ... A01K 13/004; A01K 13/002; A47L 25/005;
A47L 9/02; A47L 25/08; A46B 3/18
See application file for complete search history.

8,025,851 B2 * 9/2011 Slowey A61B 10/0051
422/420
8,551,016 B2 * 10/2013 Slowey A61B 10/0045
600/573
8,728,045 B2 * 5/2014 Hu A61M 1/0037
604/305
D756,126 S * 5/2016 Makiuchi D4/122
D768,999 S * 10/2016 Schlegel D4/199
D771,957 S * 11/2016 Schlegel D4/121
D799,761 S * 10/2017 Dia D30/199
D811,845 S * 3/2018 Johnson D8/90
D845,003 S 4/2019 Khubani et al.
D845,004 S 4/2019 Khubani et al.
D858,998 S 9/2019 Zhang
2006/0225233 A1 * 10/2006 McKay A01K 13/002
15/104.002

* cited by examiner

Primary Examiner — Michelle E. Wilson
(74) *Attorney, Agent, or Firm* — KA Filing LLC; Wayne
V. Harper; Cynthia Flanigan

(57) **CLAIM**

I claim the ornamental design for a pet hair remover, as
shown and described.

DESCRIPTION

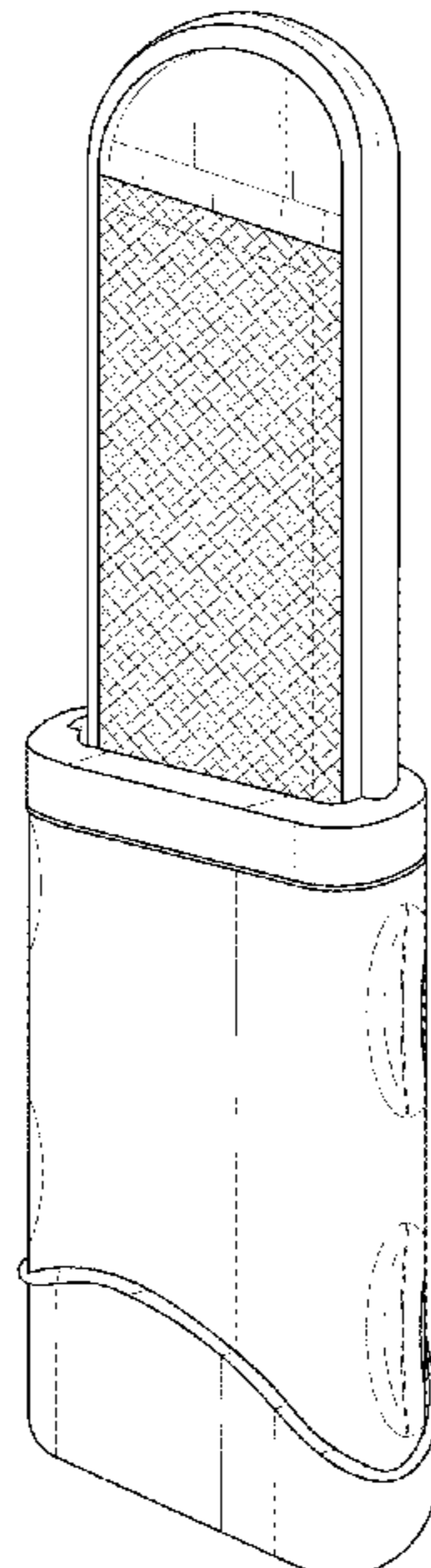
FIG. 1 is a Perspective view of a pet hair remover showing
my new design;
FIG. 2 is other Perspective (closed) view thereof;
FIG. 3 is a Front view thereof;
FIG. 4 is a Back view thereof;
FIG. 5 is a Right-side view thereof;
FIG. 6 is a Left-side view thereof;
FIG. 7 is a Top view thereof; and,
FIG. 8 is a Bottom view thereof.
The broken lines are only for environmental purposes and
form no part of the claimed design.

1 Claim, 7 Drawing Sheets

(56) **References Cited**

U.S. PATENT DOCUMENTS

D53,184 S * 4/1919 Suttle D4/122
D273,443 S * 4/1984 Hagedorn D4/121
D342,833 S * 1/1994 Huang D4/136
D358,714 S * 5/1995 Shaner D4/116
5,442,830 A * 8/1995 Ohm A47L 13/20
15/147.2
D484,656 S * 12/2003 Colbum D28/7
6,840,911 B2 * 1/2005 Sangha A61B 10/0051
422/412
D539,545 S 4/2007 Crane et al.
D549,911 S * 8/2007 Vinson D32/40
7,927,548 B2 * 4/2011 Slowey A61B 10/0051
422/422



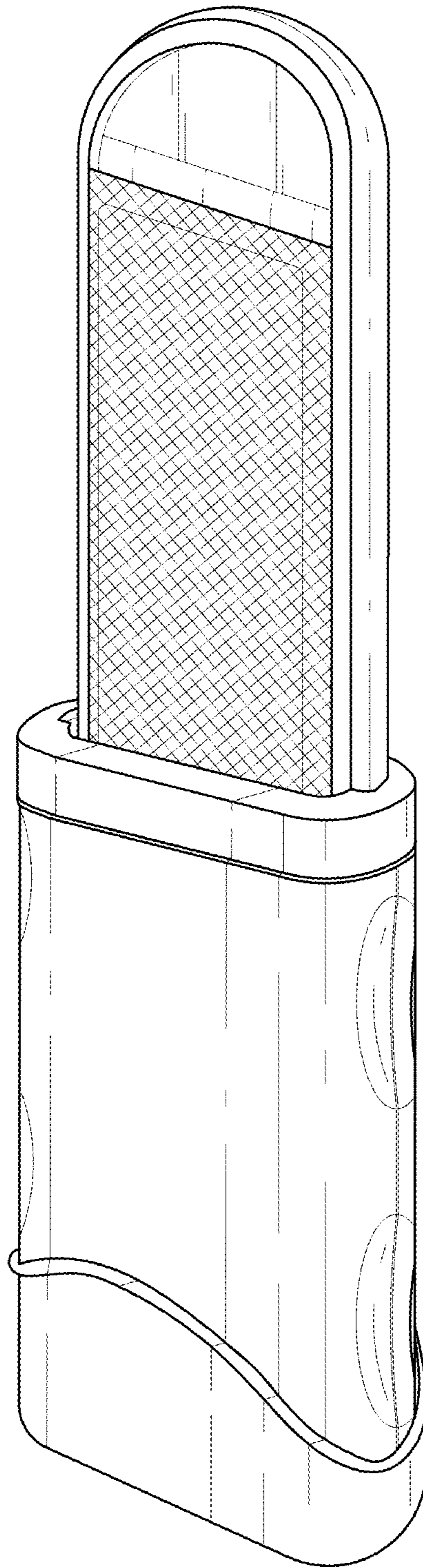


FIG. 1

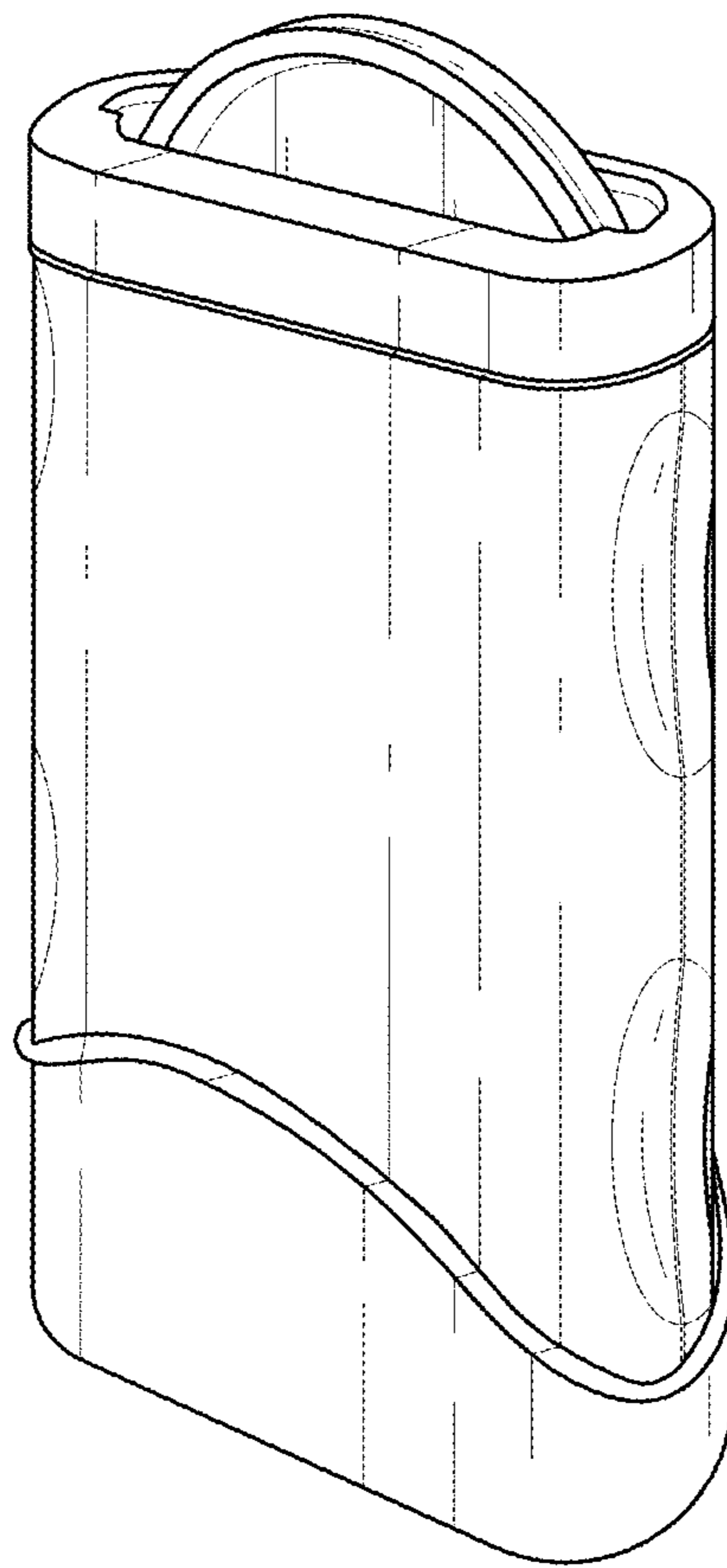


FIG. 2

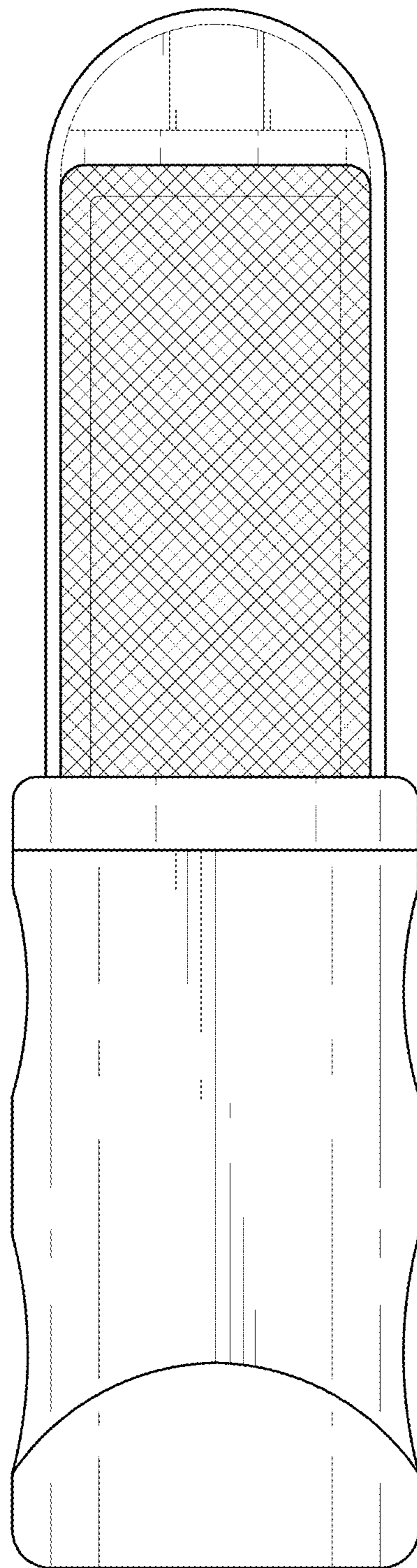


FIG. 3

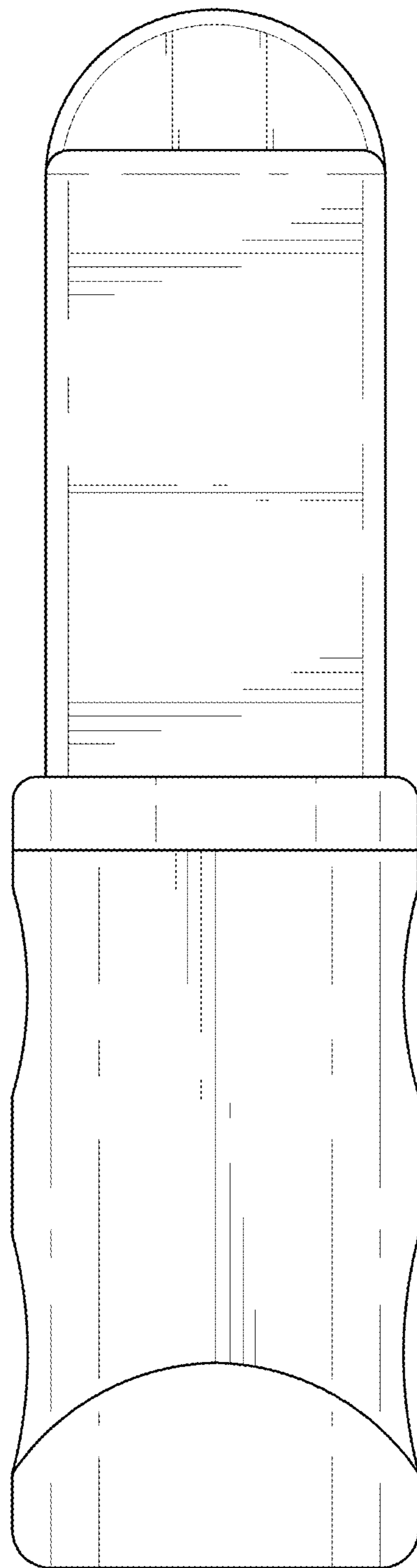


FIG. 4

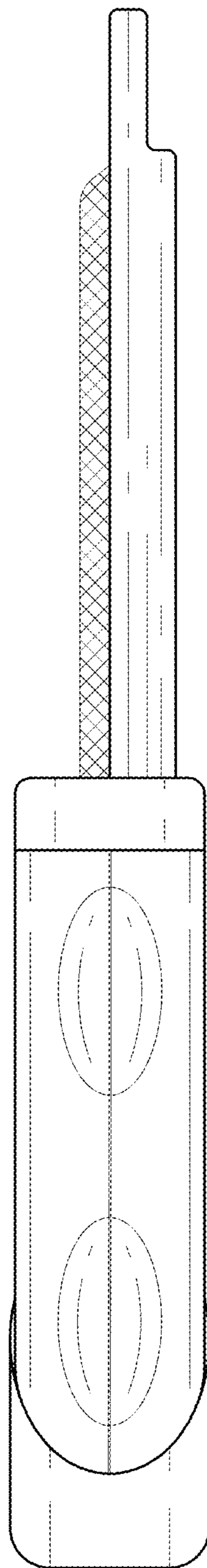


FIG. 5

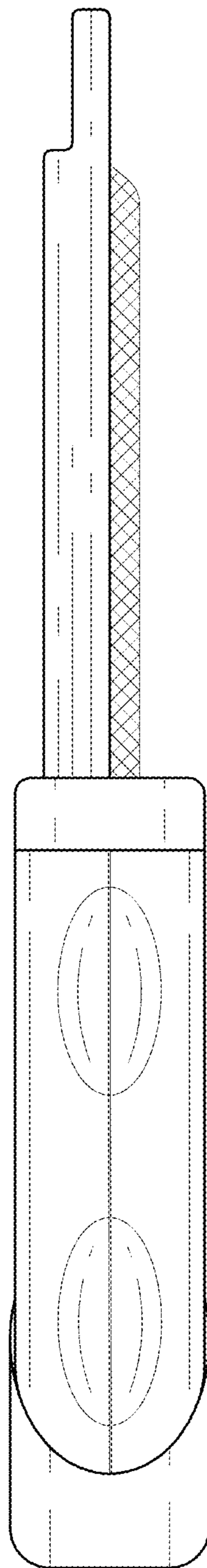


FIG. 6

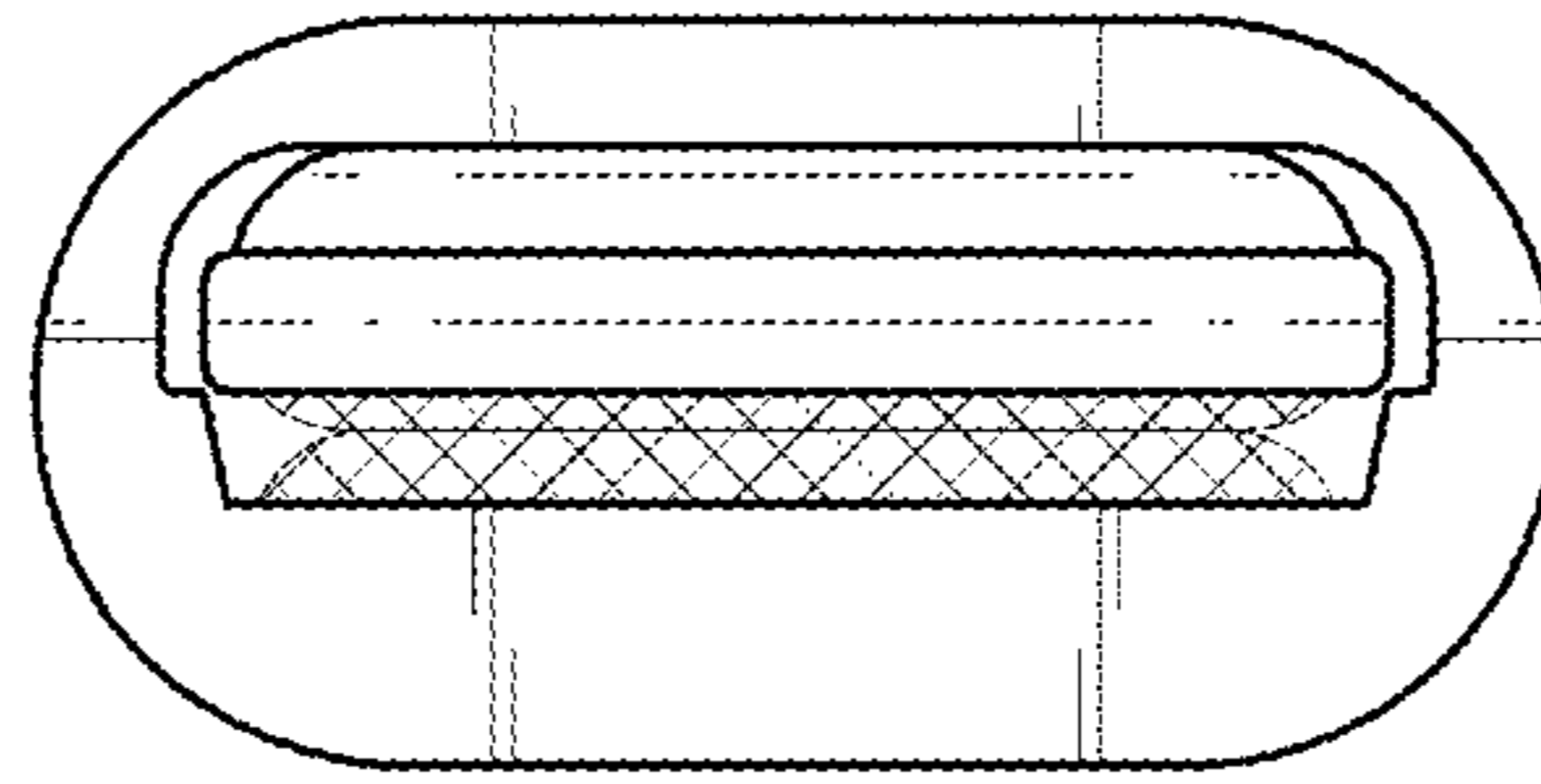


FIG. 7

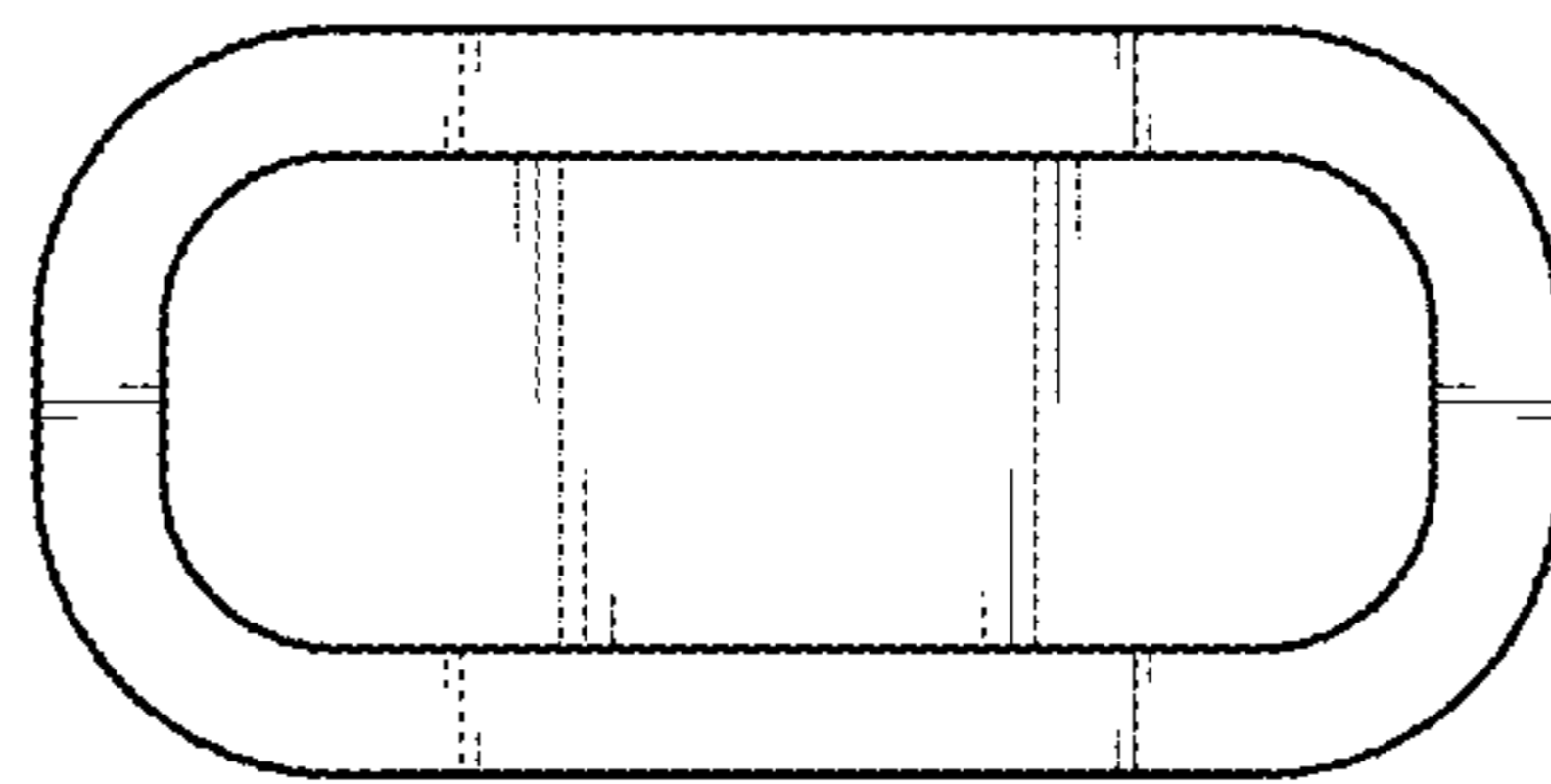


FIG. 8