

US00D890529S

(12) **United States Design Patent** (10) **Patent No.:** **US D890,529 S**
Choi (45) **Date of Patent:** **** Jul. 21, 2020**

- (54) **COMBINATION BABY BRUSH AND COMB**
- (71) Applicant: **Baby Tress, Inc.**, New York, NY (US)
- (72) Inventor: **Hannah Choi**, Moonachie, NJ (US)
- (73) Assignee: **Baby Tress, Inc.**, New York, NY (US)
- (**) Term: **15 Years**
- (21) Appl. No.: **29/631,507**
- (22) Filed: **Dec. 29, 2017**
- (51) **LOC (12) Cl.** **04-01**
- (52) **U.S. Cl.**
USPC **D4/120**
- (58) **Field of Classification Search**
USPC D4/120, 106, 104, 105, 135, 108, 132,
D4/134; D28/65
CPC A46B 9/04; A46B 5/02
See application file for complete search history.

- D341,254 S * 11/1993 Knox D4/106
- D350,440 S 9/1994 Lemon
- 5,412,831 A 5/1995 Mongelluzzo
- 5,459,898 A * 10/1995 Bacolot A46B 9/04
15/106
- D363,820 S 11/1995 Winge
- 5,497,526 A 3/1996 Klinkhammer
- D419,305 S 1/2000 Porter
- D438,386 S 3/2001 Enriquez
- D455,012 S * 4/2002 Perez D4/105
- D459,583 S 7/2002 Messenger
- 6,883,200 B1 4/2005 Euler
- D531,812 S * 11/2006 Jansheski D4/108

(Continued)

Primary Examiner — Rhea Shields
(74) *Attorney, Agent, or Firm* — Perkins Coie LLP

(57) **CLAIM**

The ornamental design for a combination baby brush and comb, as shown and described.

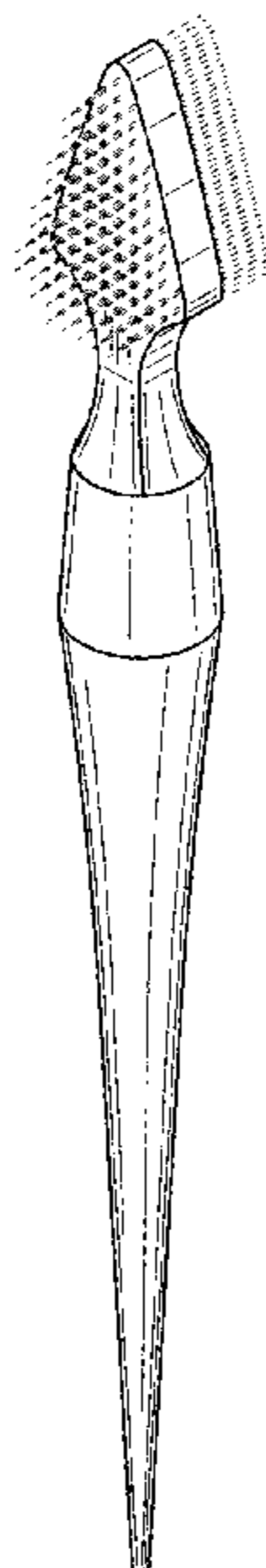
DESCRIPTION

FIG. 1 is a perspective view of a combination baby brush and comb, showing my new design;
 FIG. 2 is a front view of the combination baby brush and comb of FIG. 1;
 FIG. 3 is a back view of the combination baby brush and comb of FIG. 1;
 FIG. 4 is a right view of the combination baby brush and comb of FIG. 1;
 FIG. 5 is a left view of the combination baby brush and comb of FIG. 1;
 FIG. 6 is a top view of the combination baby brush and comb of FIG. 1; and,
 FIG. 7 is a bottom view of the combination baby brush and comb of FIG. 1.
 In the drawings, the broken lines are for the purpose of illustrating portions of the combination baby brush and comb that forms no part of the claimed design.

(56) **References Cited**
U.S. PATENT DOCUMENTS

- D54,980 S * 4/1920 Burlew D4/104
- D120,382 S * 5/1940 Kerr D4/104
- 2,304,319 A * 12/1942 Saltzman A46B 5/02
15/167.1
- D146,271 S * 1/1947 Stavely D4/104
- D160,604 S 10/1950 Hutson
- D197,506 S 2/1964 Lardenois
- 3,133,546 A 5/1964 Dent
- D217,755 S 6/1970 Schotland
- D224,187 S * 7/1972 Klepper D4/104
- 4,542,552 A * 9/1985 d'Argembeau A46B 5/02
15/167.1
- 4,589,159 A 5/1986 Streibel
- 4,724,570 A * 2/1988 Hitzman A46B 9/04
15/110
- 5,054,154 A 10/1991 Schiffer
- D321,287 S * 11/1991 Woll D4/106
- D334,474 S 4/1993 Saucedo

1 Claim, 4 Drawing Sheets



(56)

References Cited

U.S. PATENT DOCUMENTS

D566,969	S *	4/2008	Sherman	D4/135
D575,004	S *	8/2008	Jansheski	D28/65
D584,513	S *	1/2009	Sherman	D4/135
D614,870	S	5/2010	Buda	
7,913,347	B2	3/2011	Wong	
D654,271	S	2/2012	Hayes	
D761,025	S	7/2016	Hinckley	
9,452,037	B2	9/2016	Edwards	
D788,471	S *	6/2017	Dunaway	D4/135
D801,056	S *	10/2017	Hayes	D4/132
D813,533	S	3/2018	Ford	
D813,553	S *	3/2018	Ford	D4/134
D822,388	S *	7/2018	Barsoum	D4/104
D873,573	S *	1/2020	Kaicker	D4/135
2006/0080799	A1	4/2006	Lucente	

* cited by examiner

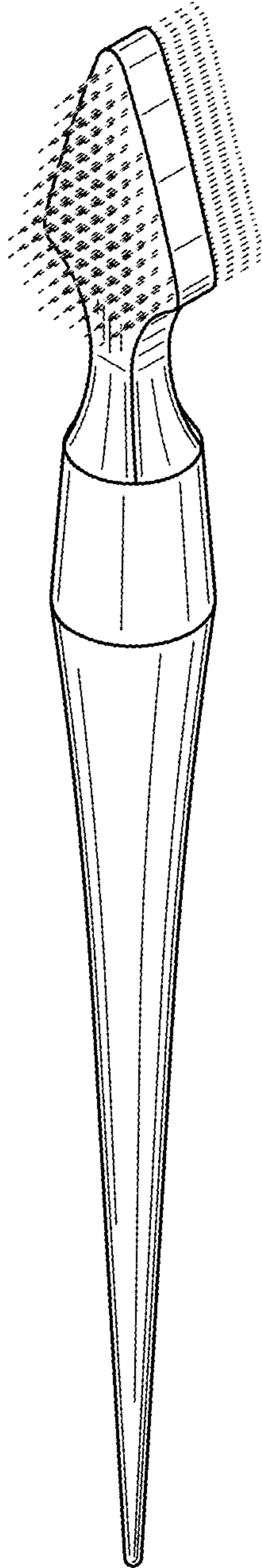


FIG.1

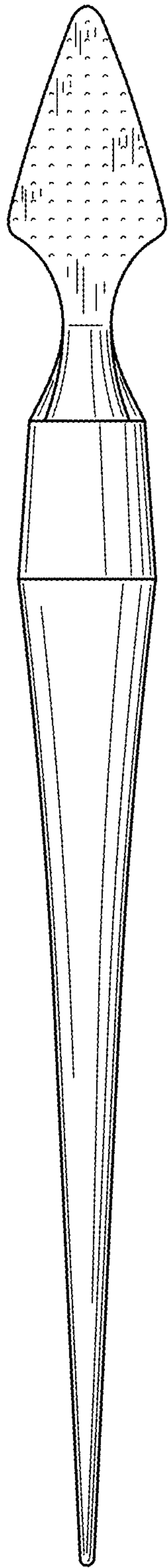


FIG. 2

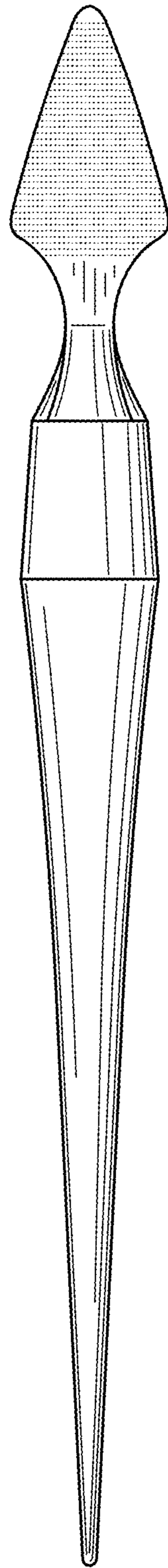


FIG. 3

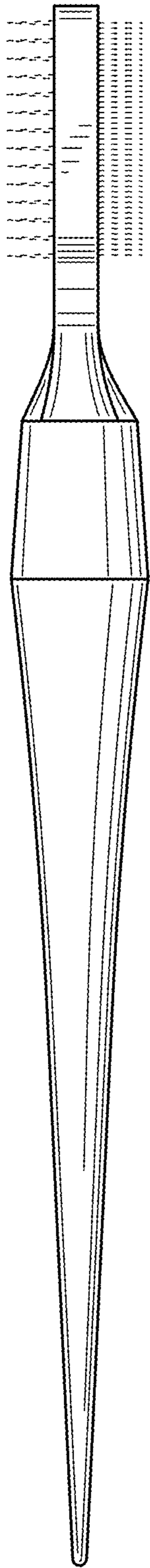


FIG. 4

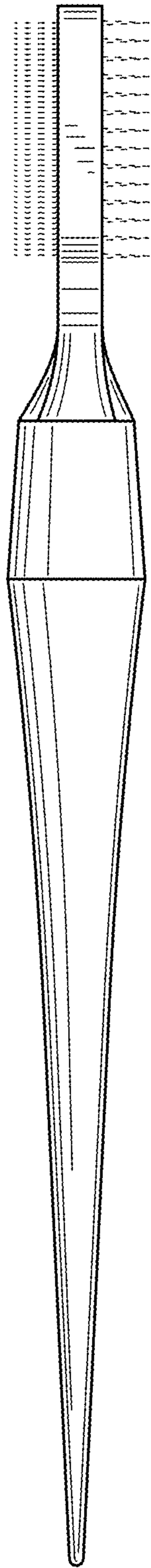


FIG. 5

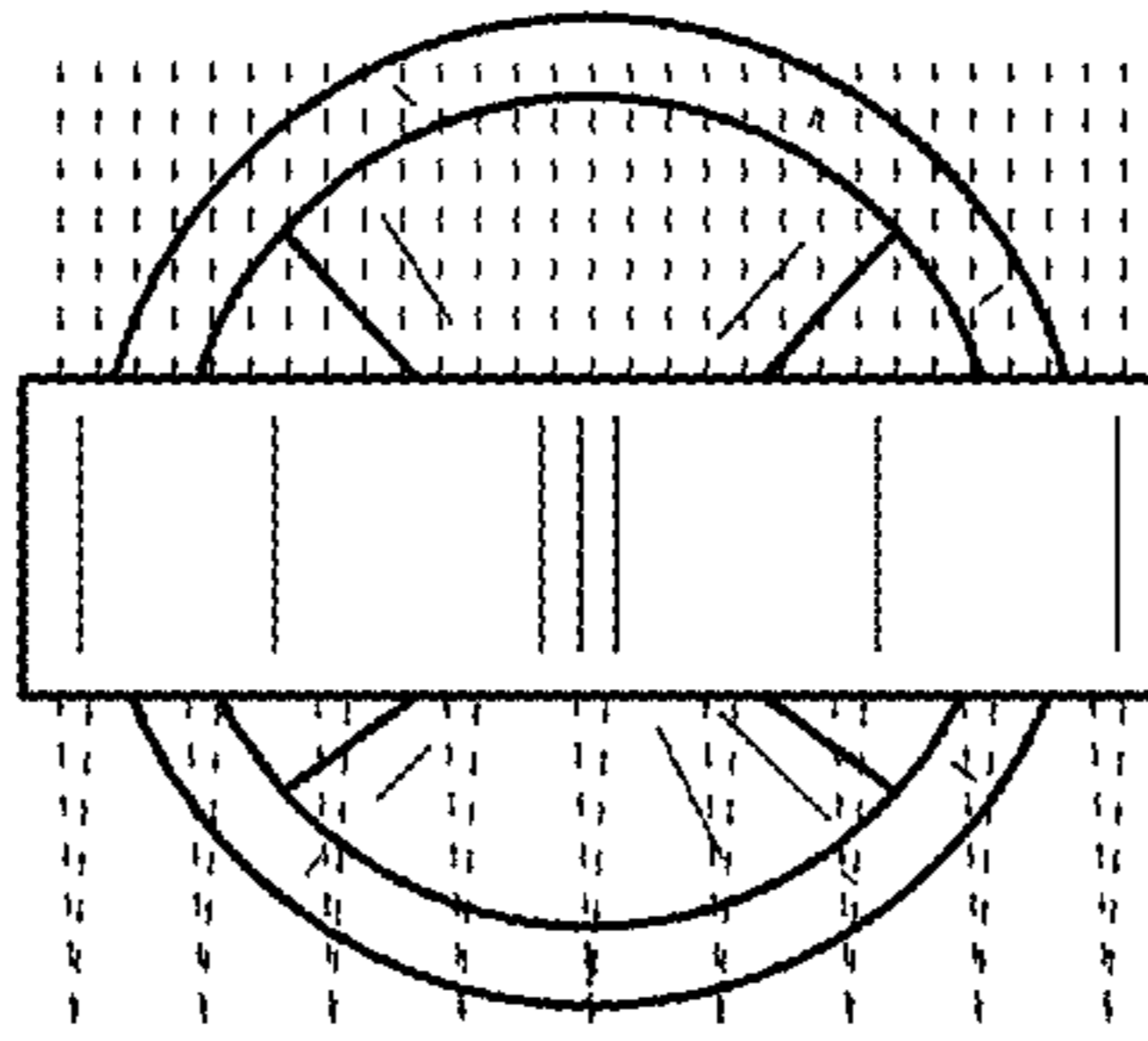


FIG. 6

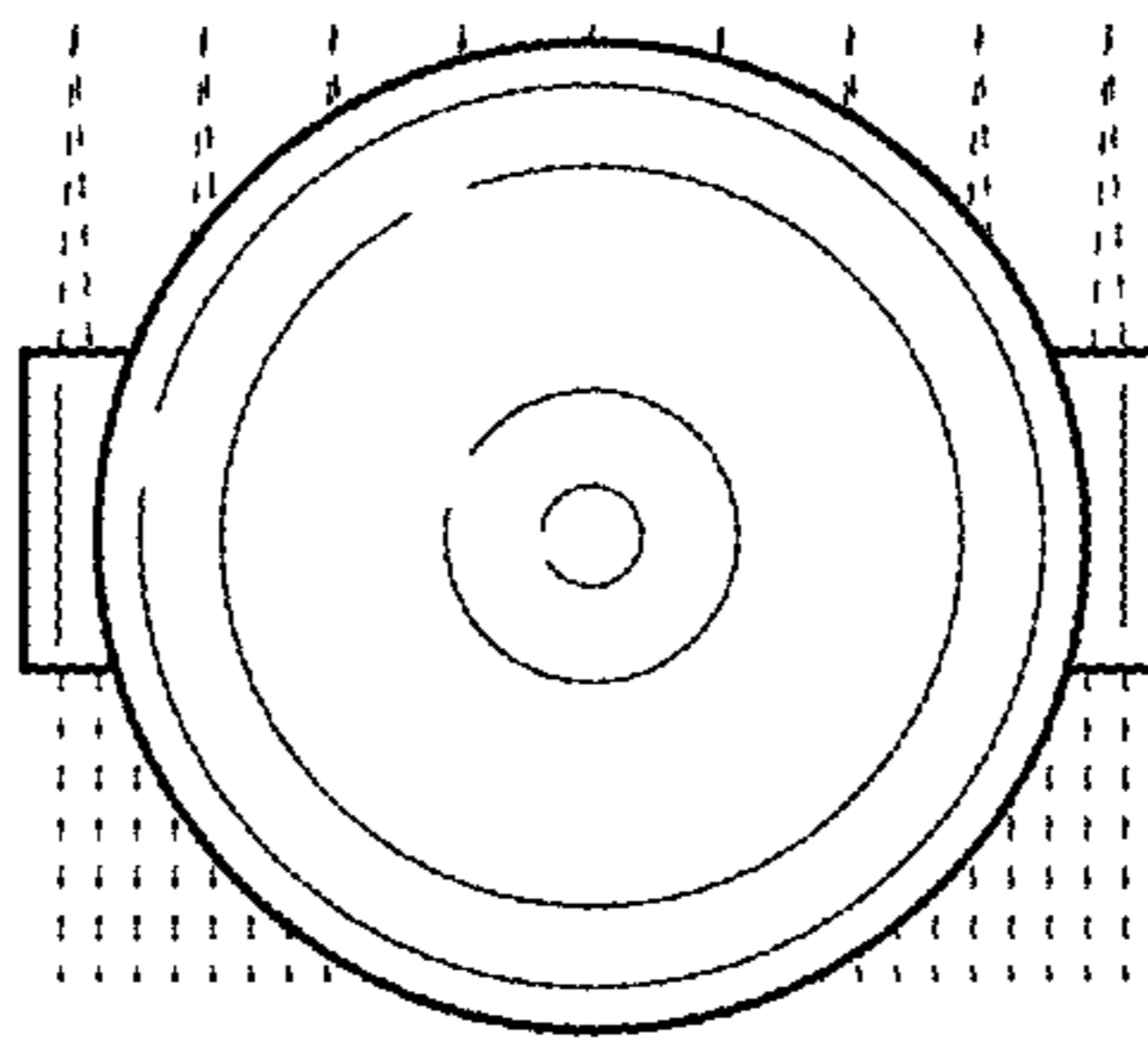


FIG. 7