



US00D890522S

(12) **United States Design Patent**
Stanley

(10) **Patent No.:** **US D890,522 S**

(45) **Date of Patent:** **** Jul. 21, 2020**

(54) **TACKLE BOX WITH ORNAMENTAL INSERT**

(71) Applicant: **PLAN D FISHING SOLUTIONS, LLC**, Gig Harbor, WA (US)

(72) Inventor: **Dylan T Stanley**, Gig Harbor, WA (US)

(73) Assignee: **Plan D Fishing Solutions, LLC**, Gig Harbor, WA (US)

(**) Term: **15 Years**

(21) Appl. No.: **29/609,166**

(22) Filed: **Jun. 28, 2017**

(51) **LOC (12) Cl.** **03-01**

(52) **U.S. Cl.**
USPC **D3/260**

(58) **Field of Classification Search**
USPC D3/260, 201, 203.1–203.3, 203.6–203.8, D3/205, 206, 273, 302, 262, 272, D3/294–299, 905; D19/106, 77, 81; D9/418, 423; 206/6.1, 349, 372, 373, 206/581, 315.11, 278, 457, 215, 555, 1.5, 206/235, 268; 43/57.1, 54.1
CPC A01K 97/06; A01K 97/04; A45C 11/34; A45C 11/16; A45C 11/00; A45C 13/02; A45C 5/00; A45C 5/04; B29L 2031/7002
See application file for complete search history.

(56) **References Cited**

U.S. PATENT DOCUMENTS

1,669,928	A *	5/1928	Case	A01K 97/06 43/57.1
1,999,779	A *	4/1935	Perrine	A01K 97/06 43/57.2
2,307,073	A *	1/1943	Powell	A01K 97/06 312/328
4,020,584	A *	5/1977	Michal	A01K 97/06 43/57.1

4,653,220	A *	3/1987	Olsen, Sr.	A01K 97/06 43/57.1
D306,235	S *	2/1990	Tamamura	D3/295
D357,807	S *	5/1995	Meyer	D3/276
5,505,328	A *	4/1996	Stribiak	A01K 97/06 206/315.11
5,560,476	A *	10/1996	Lee	A45C 11/18 206/305
5,690,216	A *	11/1997	Liu	A45C 9/00 206/214
6,021,891	A *	2/2000	Anderson	A45C 11/34 206/214
D448,154	S *	9/2001	Mann	D3/203.1
D533,713	S *	12/2006	Tucci	D3/203.6

(Continued)

OTHER PUBLICATIONS

Plan D Pocket Standard, available Dec. 31, 2018, [online], [site visited Aug. 1, 2019]. Available from internet, URL: <https://plandfishing.com/lure-boxes/pocket/> (Year: 2018).*

(Continued)

Primary Examiner — W. A. Teddy Falloway
(74) *Attorney, Agent, or Firm* — FisherBroyles LLP;
Kevin D. Jablonski

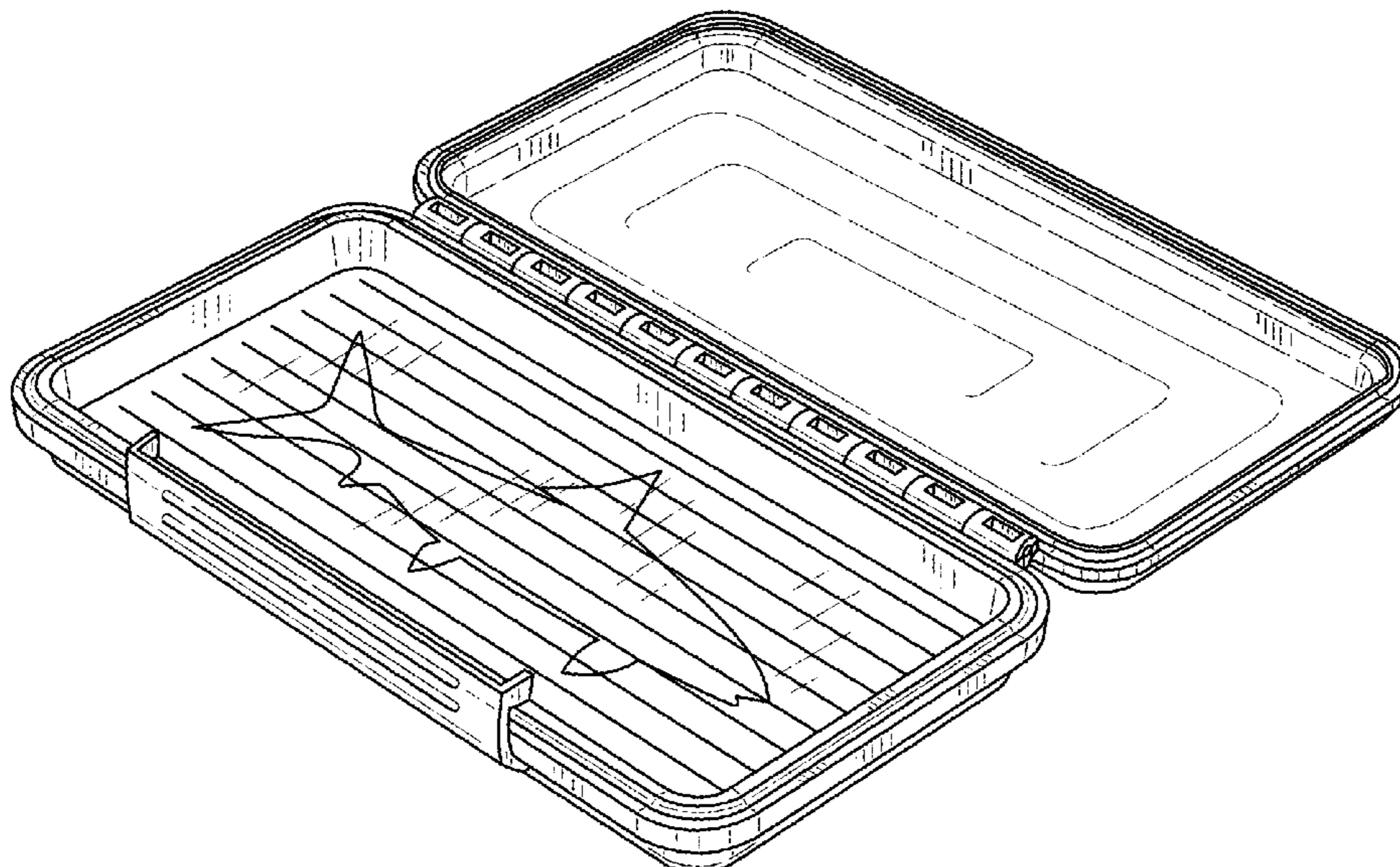
(57) **CLAIM**

The ornamental design for an ornamental insert for tackle box, as shown.

DESCRIPTION

FIG. 1 is an isometric view of the tackle box with ornamental insert;
FIG. 2 is a left side view thereof;
FIG. 3 is a right side view thereof;
FIG. 4 is a top view thereof;
FIG. 5 is a bottom view thereof;
FIG. 6 is a front view thereof; and,
FIG. 7 is a back view thereof.

1 Claim, 7 Drawing Sheets



(56)

References Cited

U.S. PATENT DOCUMENTS

D592,398 S * 5/2009 Roesler D3/294
 D662,320 S * 6/2012 De Leo D3/201
 D774,757 S * 12/2016 Bournay, Jr. D3/276
 D790,217 S * 6/2017 Swanson D3/260
 9,913,463 B2 * 3/2018 Aston A01K 97/06
 D815,436 S * 4/2018 Stanley D3/294
 D834,819 S * 12/2018 Burek D3/294
 D838,981 S * 1/2019 Stanley D3/318
 D844,985 S * 4/2019 Shelffo D3/293
 10,561,133 B2 * 2/2020 Martin B65D 25/10
 10,595,521 B2 * 3/2020 Stanley A01K 85/08
 D881,812 S * 4/2020 Yang D13/119
 D882,262 S * 4/2020 Zhang D3/294
 2003/0182845 A1 * 10/2003 Pfeffer A01K 97/06
 43/57.1
 2005/0279012 A1 * 12/2005 Wieringa A01K 97/06
 43/54.1
 2006/0042152 A1 * 3/2006 Pearson A01K 97/06
 43/54.1

2014/0353177 A1 * 12/2014 Senate A45C 11/16
 206/6.1
 2016/0015017 A1 * 1/2016 Heaton A01K 97/06
 43/54.1
 2016/0205913 A1 * 7/2016 Aston A01K 97/06
 2018/0042209 A1 * 2/2018 Aston A01K 97/06
 2020/0039056 A1 * 2/2020 Damberg B65D 25/28
 2020/0045950 A1 * 2/2020 Aston A01K 97/06
 2020/0062452 A1 * 2/2020 Taylor A45C 11/34

OTHER PUBLICATIONS

Plan D Fly Box, available Mar. 19, 2019, [online], [site visited Aug. 1, 2019]. Available from internet, URL: https://www.amazon.com/Plan-Pocket-Fly-Box-Standard/dp/B07C2KR3CS/ref=pd_rhf_dp_p_img_1?_encoding=UTF8&psc=1&refRID=P82HPP09V83P1ZQ0TY4K (Year: 2019).*

Kingfisher Waterproof Articulated Fly Box w/ Hooks, available Jul. 8, 2019, [online], [site visited Aug. 1, 2019]. Available from internet, URL: <https://www.amazon.com/Kingfisher-Waterproof-Articulated-Fly-Hooks/> (Year: 2019).*

* cited by examiner

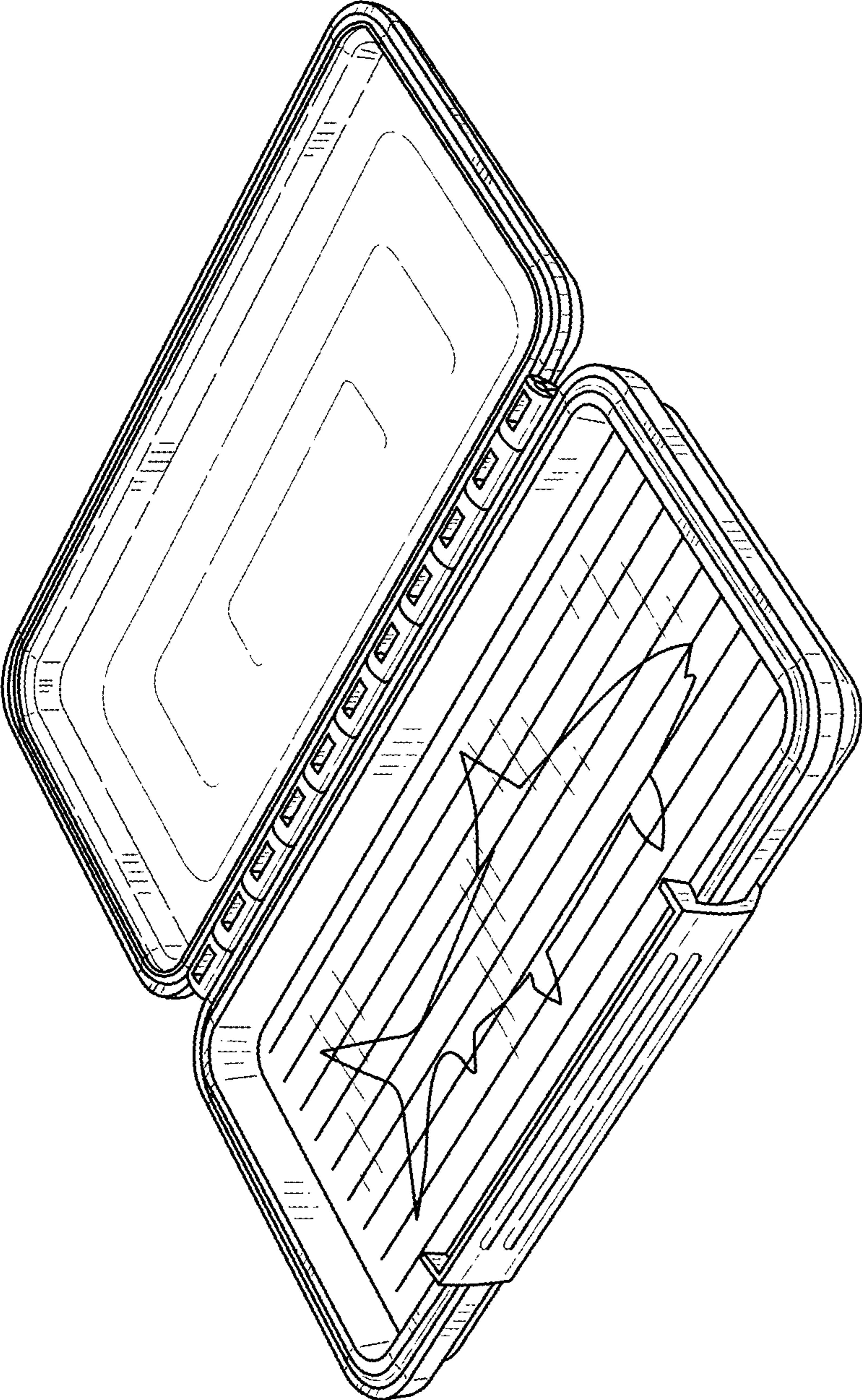


FIG.1

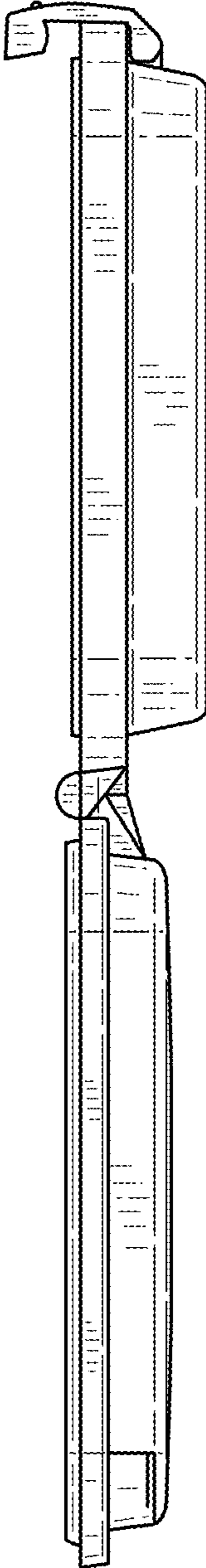


FIG.2

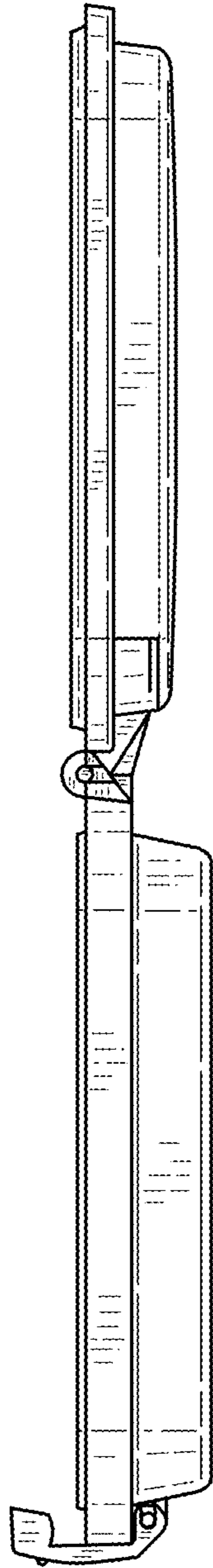


FIG.3

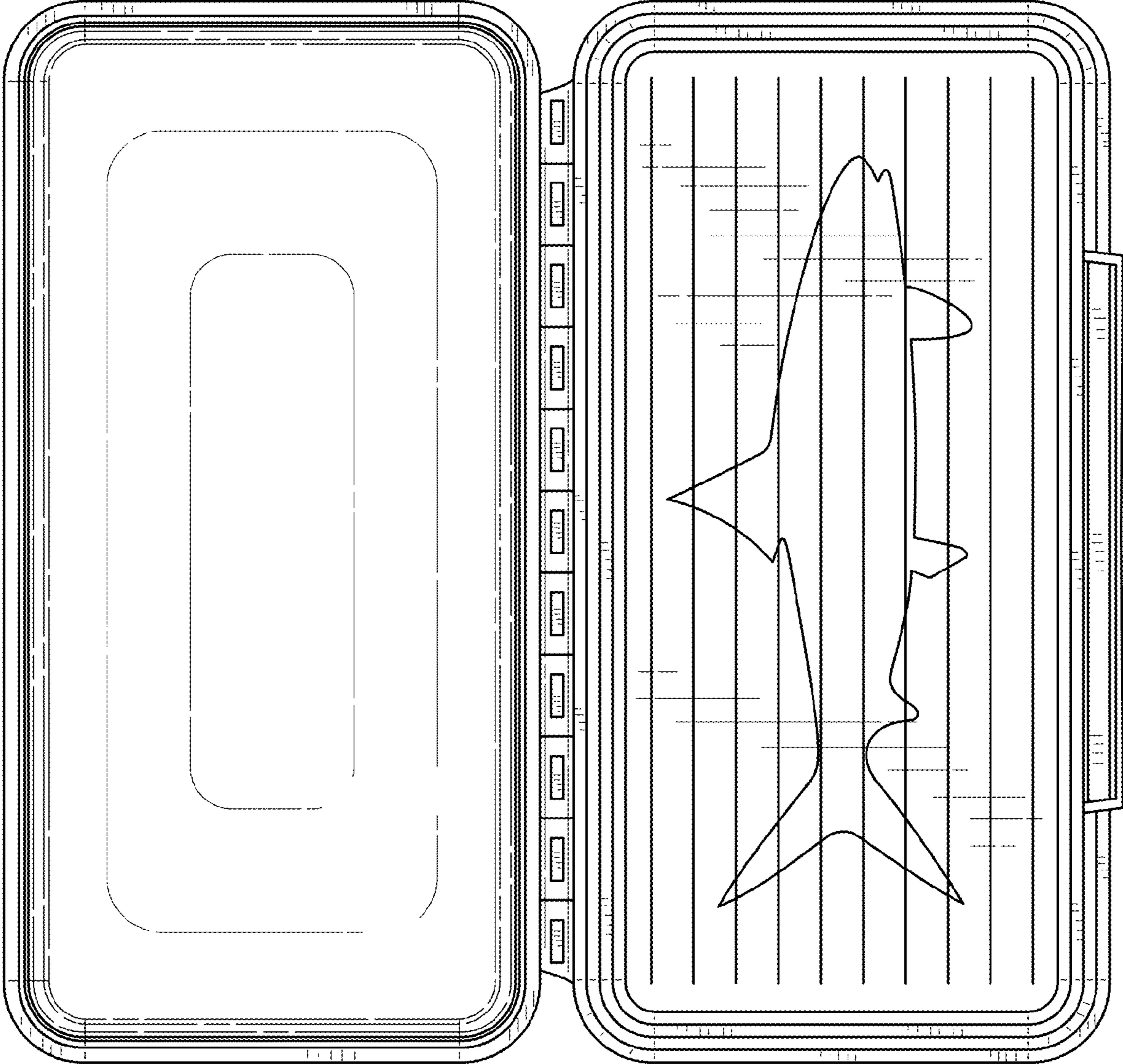


FIG.4

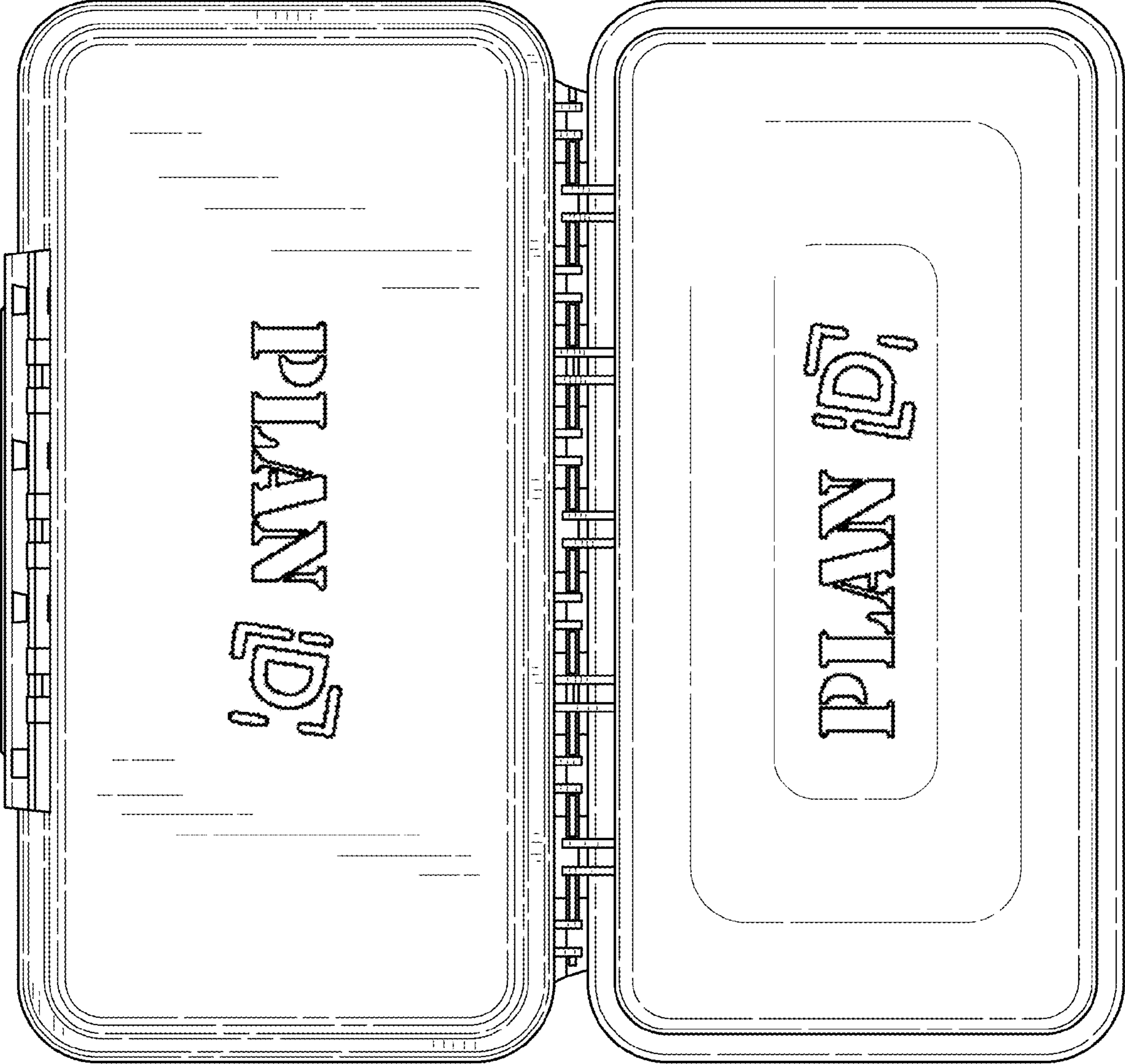


FIG.5

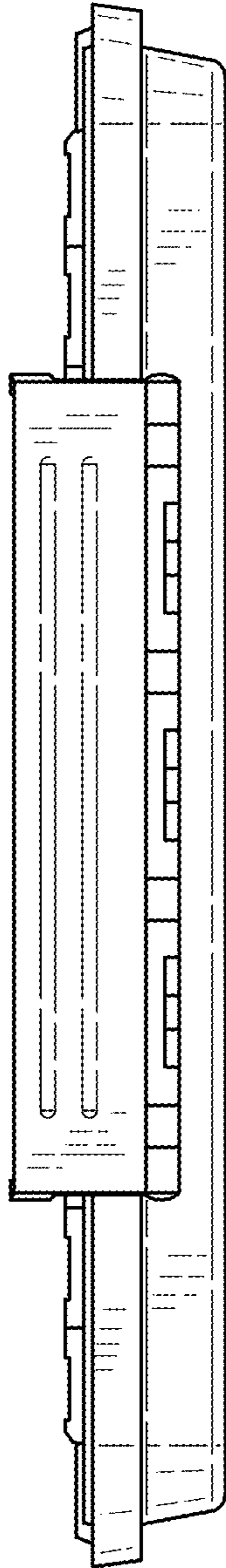


FIG.6

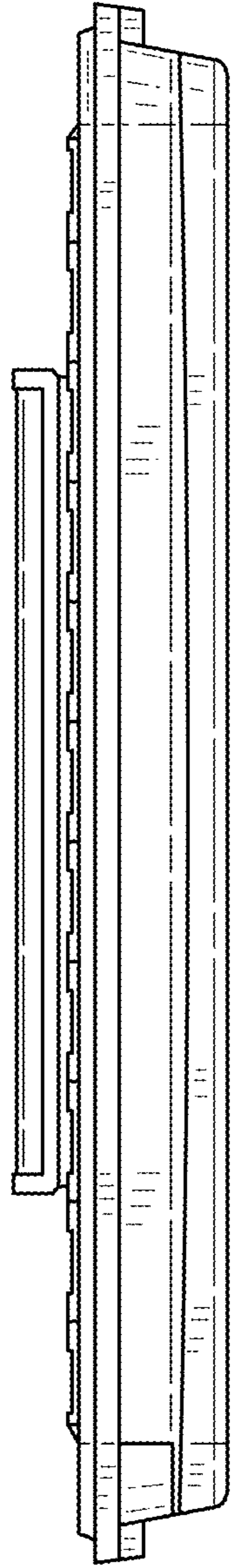


FIG.7