



US00D890520S

(12) **United States Design Patent** (10) **Patent No.:** **US D890,520 S**
Stobar et al. (45) **Date of Patent:** **** Jul. 21, 2020**

(54) **HAMMER HOLDER**
(71) Applicant: **JS Products, Inc.**, Las Vegas, NV (US)
(72) Inventors: **James Kendall Stobar**, Pasadena, CA (US); **Robert Aristides Johnson**, Las Vegas, NV (US); **Ian Michael-Lynn Smercina**, Las Vegas, NV (US)

D449,929 S * 11/2001 Rhoads, II D3/228
D452,071 S * 12/2001 Snider D3/228
D464,794 S * 10/2002 Dancyger D3/228
D500,592 S * 1/2005 Thayer D3/228
D541,933 S 5/2007 White et al.
D552,846 S 10/2007 Lagerberg et al.
D583,549 S 12/2008 Schuyler
D812,900 S * 3/2018 Votel D3/228
2004/0173650 A1 9/2004 Berns
2008/0264992 A1 * 10/2008 Westling A45F 5/02
224/673
2013/0026200 A1 * 1/2013 Kinskey A45F 3/02
224/251
2013/0299542 A1 11/2013 Blades
2017/0055687 A1 3/2017 Diaz

(73) Assignee: **JS PRODUCTS, INC.**, Las Vegas, NV (US)
(**) Term: **15 Years**

(21) Appl. No.: **29/682,797**

(22) Filed: **Mar. 7, 2019**

(51) **LOC (12) Cl.** **03-01**

(52) **U.S. Cl.**
USPC **D3/228**

(58) **Field of Classification Search**
USPC D3/215, 224, 228–229; 224/236, 245, 224/256, 232, 251, 666, 615, 672–673, 224/680, 675–676, 901.4, 901.6, 914
CPC ... A45C 3/11; A45C 13/02; A45F 3/02; A45F 3/14; A45F 5/00; A45F 5/021; A45F 2200/0566; A45F 2200/0575; B25H 3/02
See application file for complete search history.

(56) **References Cited**

U.S. PATENT DOCUMENTS

3,384,277 A * 5/1968 Hodelka A45F 5/14
224/242
D350,229 S * 9/1994 Dancyger D3/228
D360,294 S * 7/1995 Johnson D3/228
D405,955 S * 2/1999 Russell D3/228
5,944,242 A * 8/1999 Musarella A45F 5/02
D3/228
D433,229 S * 11/2000 Harker D3/228

FOREIGN PATENT DOCUMENTS

EP 1447184 8/2004

* cited by examiner

Primary Examiner — Catherine R Oliver-Garcia
(74) *Attorney, Agent, or Firm* — Weide & Miller, Ltd.

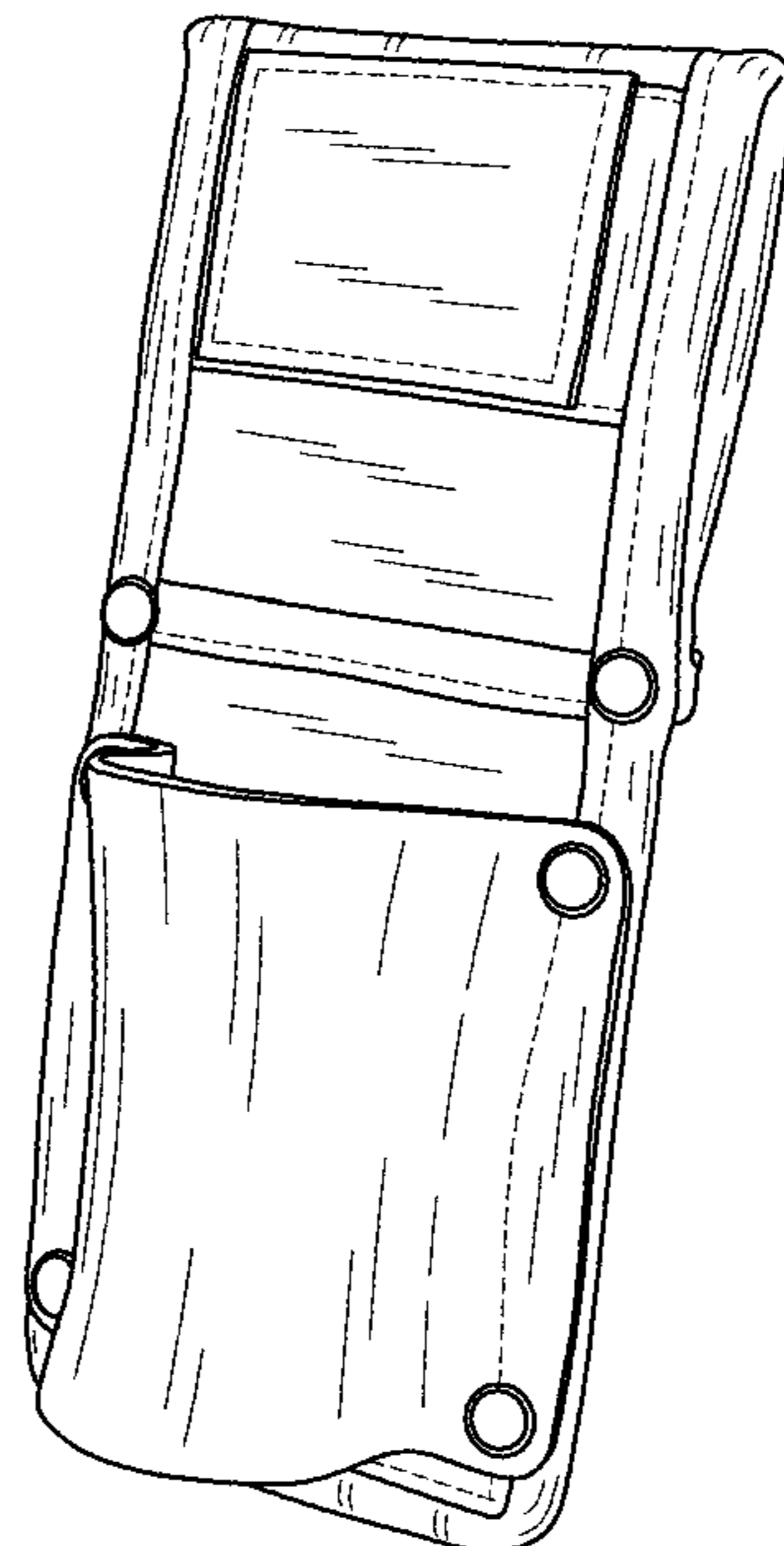
(57) **CLAIM**

The ornamental design for a hammer holder, as shown and described.

DESCRIPTION

FIG. 1 is a front, right perspective view of a hammer holder according to one embodiment.
FIG. 2 is a front, right perspective view showing the design of FIG. 1 in an exemplary use.
FIG. 3 is a front view of the design of FIG. 1.
FIG. 4 is a rear view of the design of FIG. 1.
FIG. 5 is a left-side view of the design of FIG. 1.
FIG. 6 is a right-side view of the design of FIG. 1.
FIG. 7 is a top view of the design of FIG. 8; and, FIG. 8 is a bottom view of the design of FIG. 1.

1 Claim, 7 Drawing Sheets



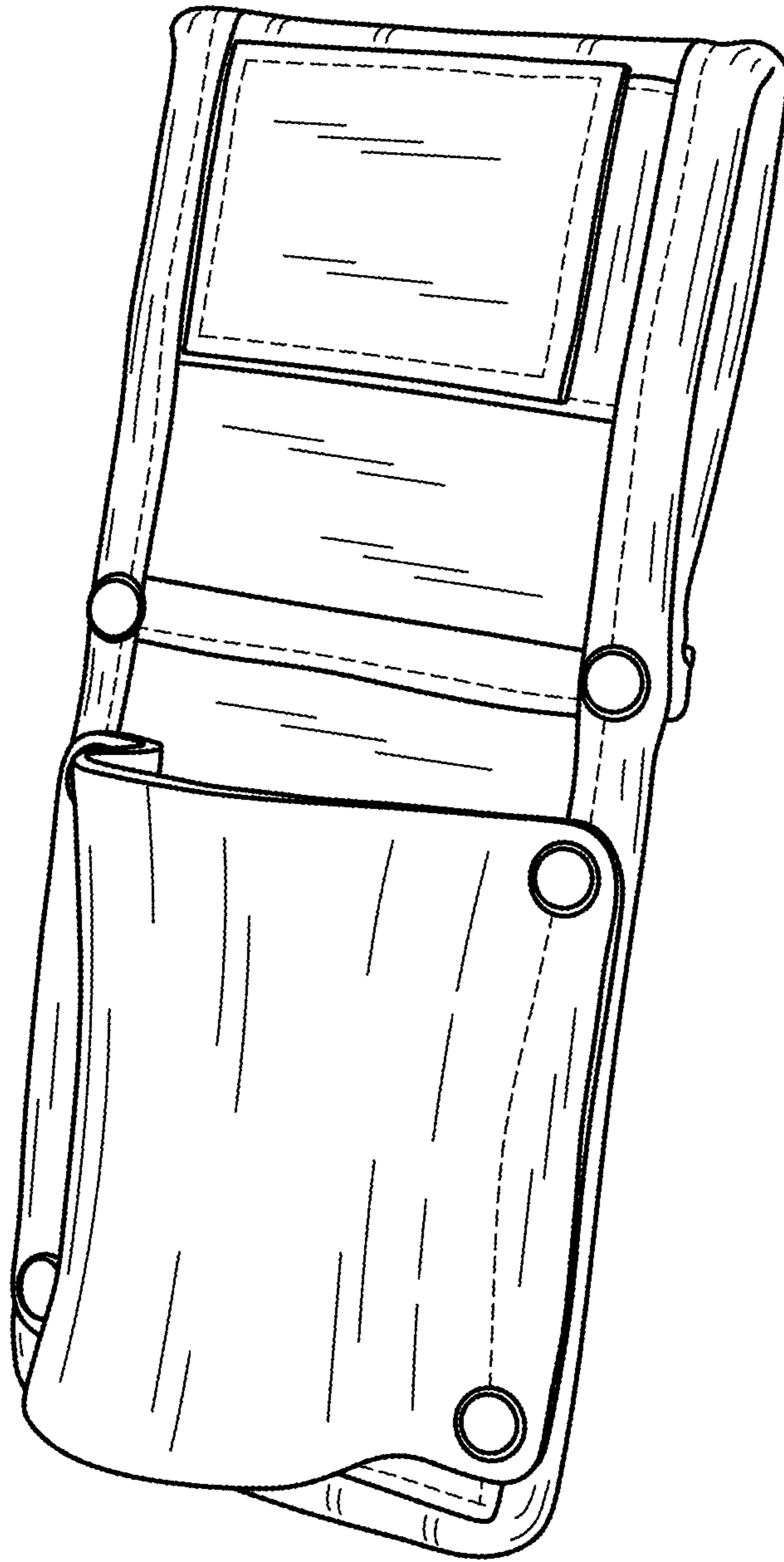


FIG. 1

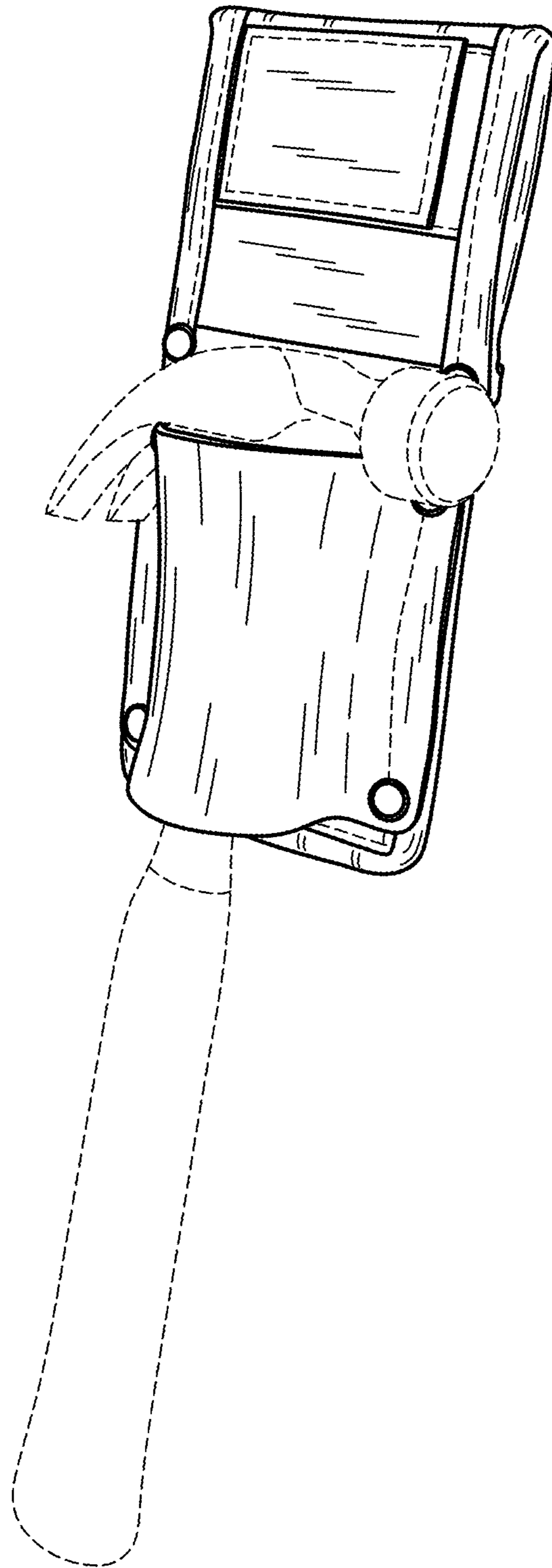


FIG. 2

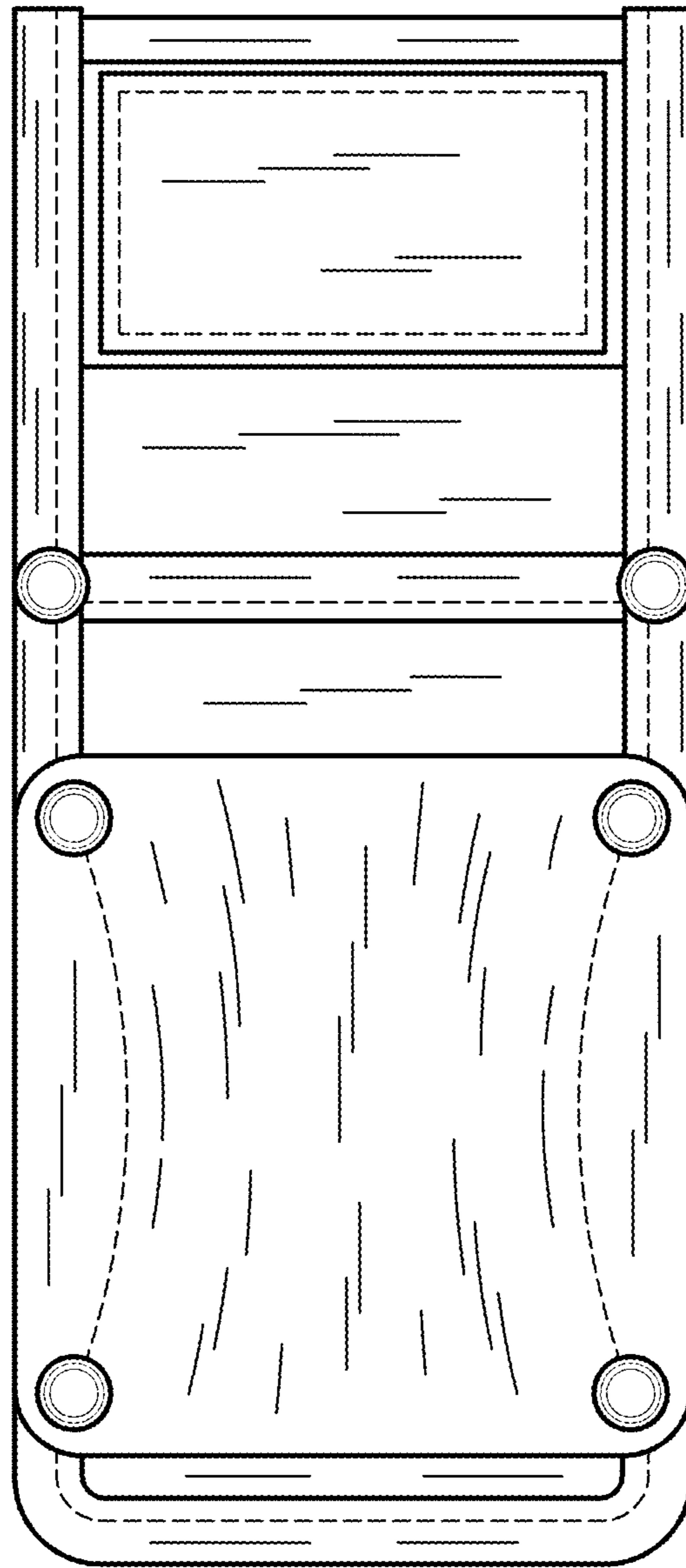


FIG. 3

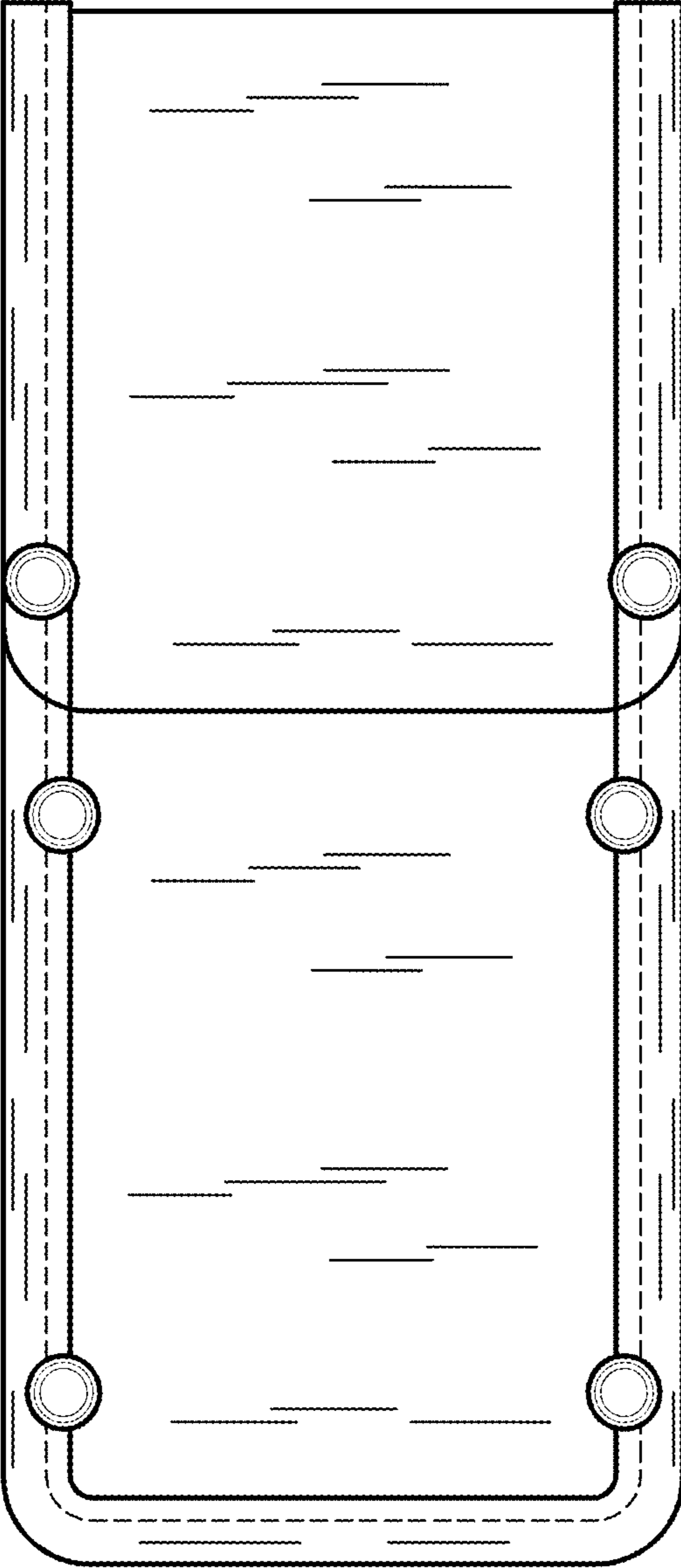


FIG. 4

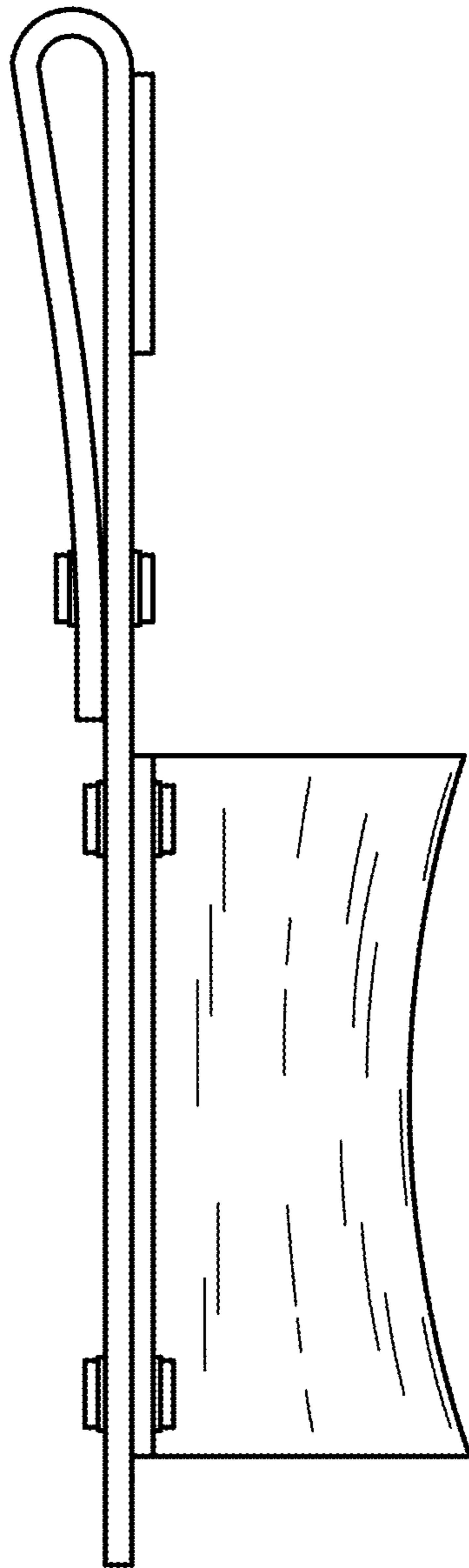


FIG. 5

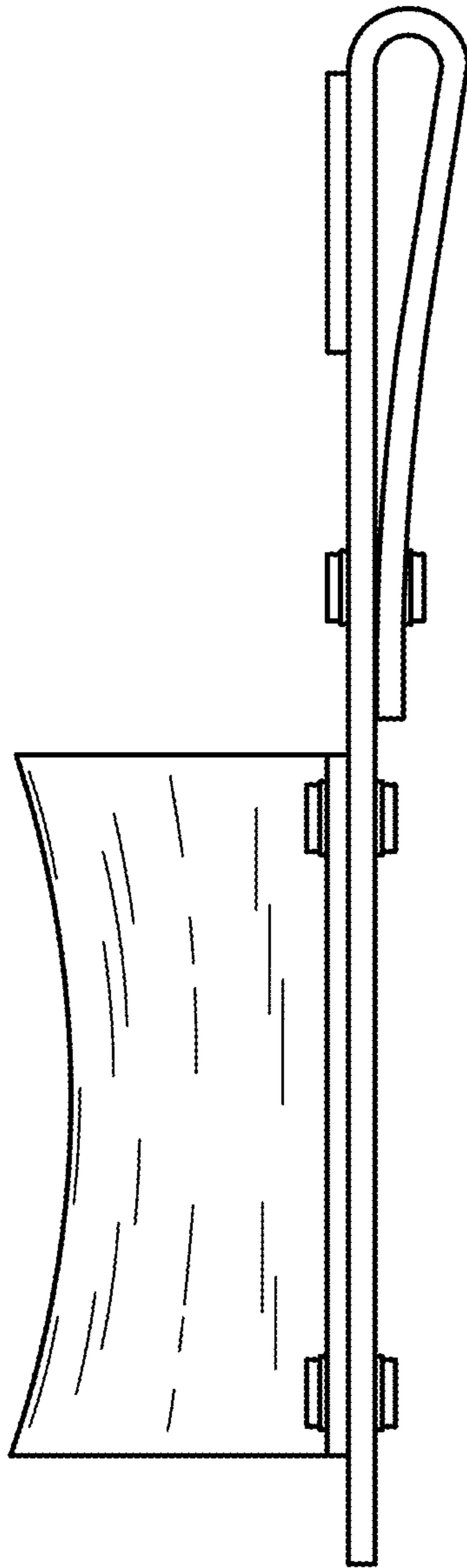


FIG. 6

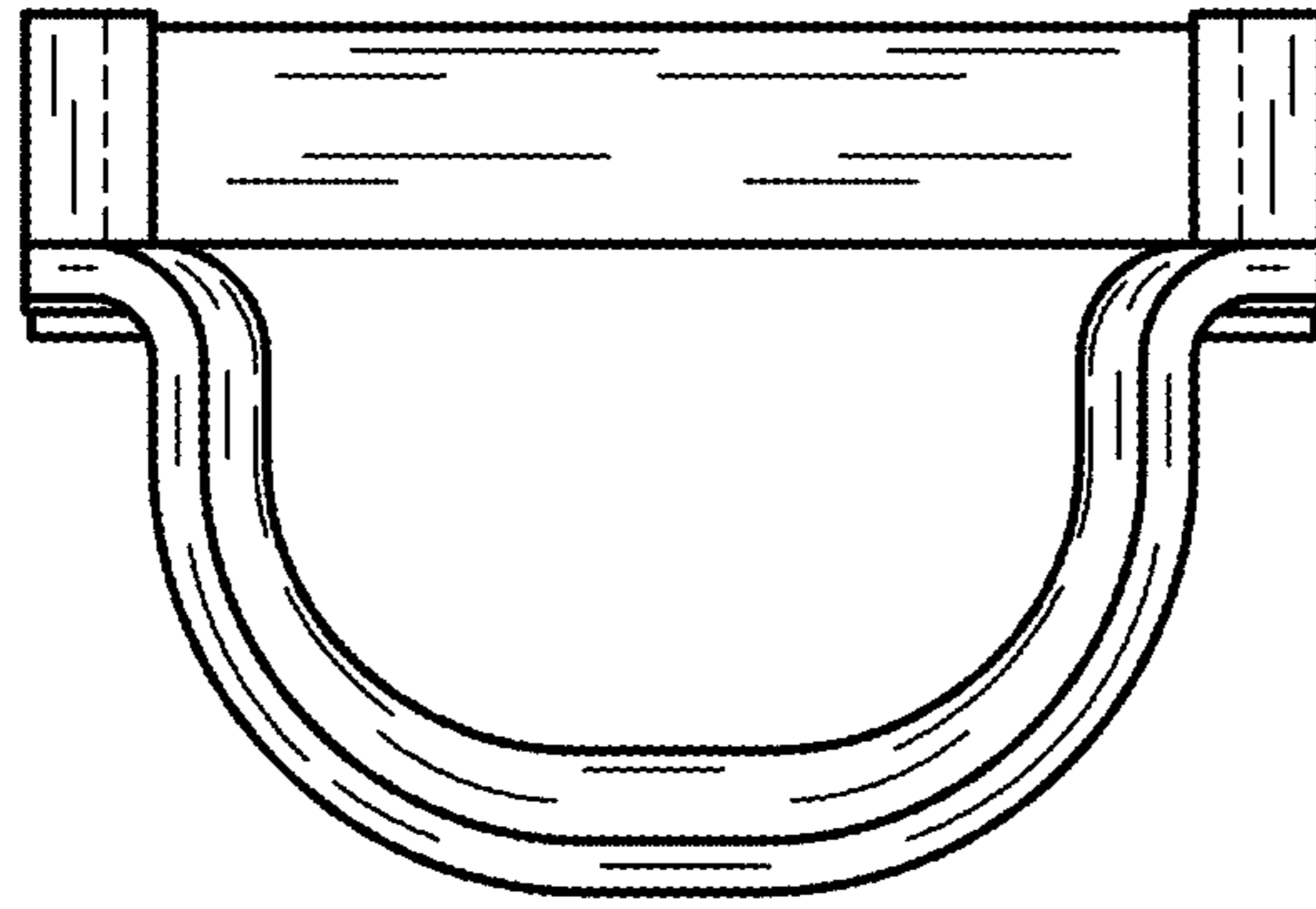


FIG. 7

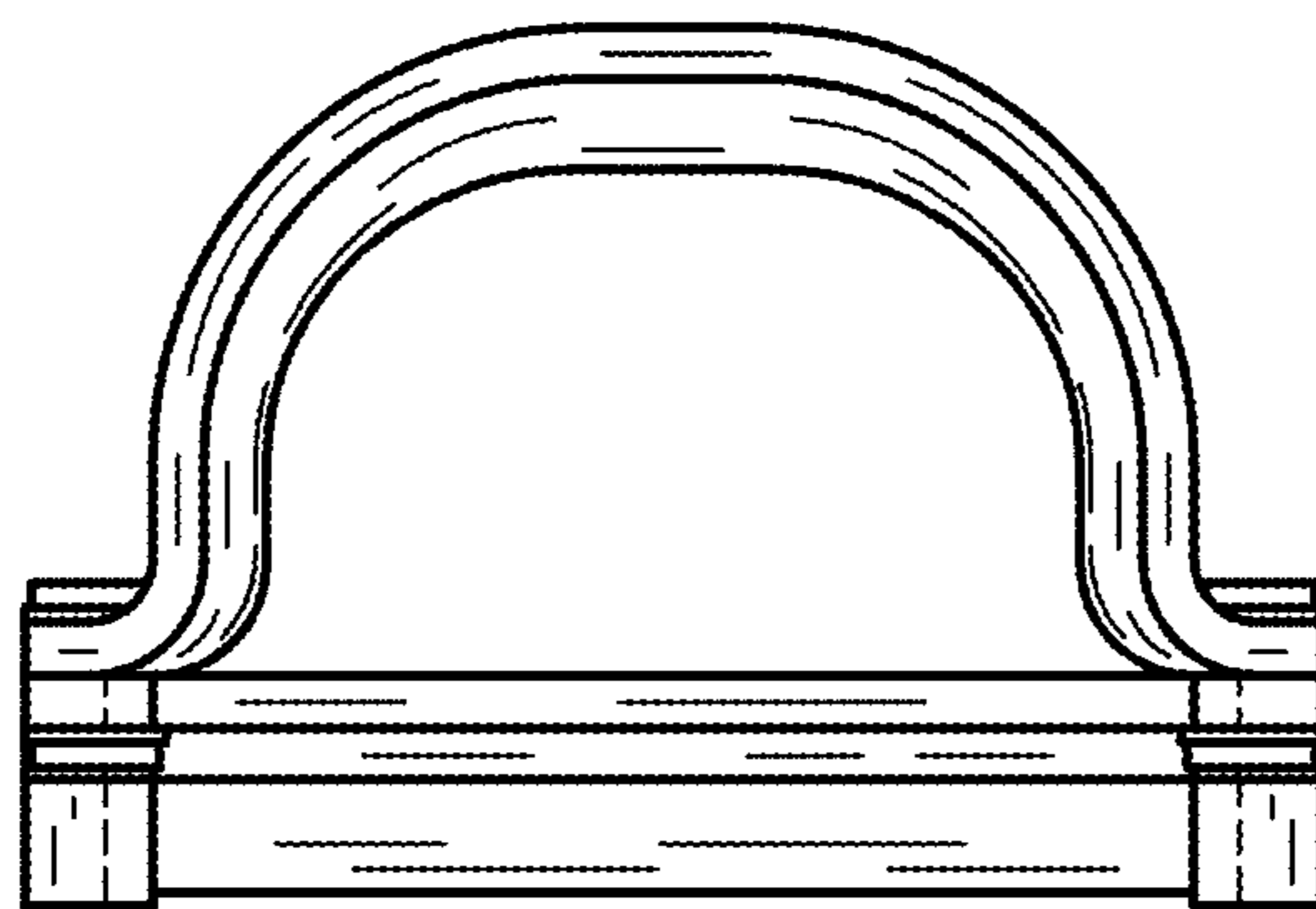


FIG. 8