



US00D890519S

(12) **United States Design Patent**
Collins et al.

(10) **Patent No.:** **US D890,519 S**
(45) **Date of Patent:** **** Jul. 21, 2020**

(54) **BASEBALL BAG**
(71) Applicant: **Grit Inc.**, Loretto (CA)
(72) Inventors: **Gregory James Collins**, Loretto (CA);
Steven Roncadin, Maple (CA); **Erin Dawn Dobo**, Toronto (CA)

2002/0144916 A1* 10/2002 Cheng A63B 71/0045
206/315.1
2006/0037877 A1* 2/2006 Souza A45C 3/00
206/315.1
2008/0223677 A1* 9/2008 Mauro A45C 5/14
190/111

(73) Assignee: **Grit Inc.**, Loretto (CA)

(**) Term: **15 Years**

(21) Appl. No.: **29/657,295**

(22) Filed: **Jul. 20, 2018**

(51) **LOC (12) Cl.** **03-01**

(52) **U.S. Cl.**
USPC **D3/221**; D3/254; D3/904

(58) **Field of Classification Search**
USPC D3/221, 254, 271.9, 904, 214, 216–217;
206/315.1, 579; 150/113; 190/107,
190/110–112

CPC A45C 3/00; A45C 5/14; A45C 2003/007;
A45F 3/04; A63B 55/00; A63B 55/406;
A63B 71/0045; A63B 2102/18

See application file for complete search history.

(56) **References Cited**

U.S. PATENT DOCUMENTS

4,693,402 A * 9/1987 Comeau A45F 3/04
206/315.1
5,845,780 A * 12/1998 Allen A45C 3/00
206/579
6,561,329 B2* 5/2003 Stobbs, II A45C 3/00
190/112
D781,049 S * 3/2017 Kemp D3/216

OTHER PUBLICATIONS

MBA Team Sports, Under Armour Baseball Bat Pack UASB-DHBP, MBATeamSports.com, 2020.*
Grit Baseball Duffle Bag, Grit Inc.com, Earliest Review on YouTube Jan. 19, 2019.*

* cited by examiner

Primary Examiner — Catherine R Oliver-Garcia
(74) *Attorney, Agent, or Firm* — Frost Brown Todd LLC

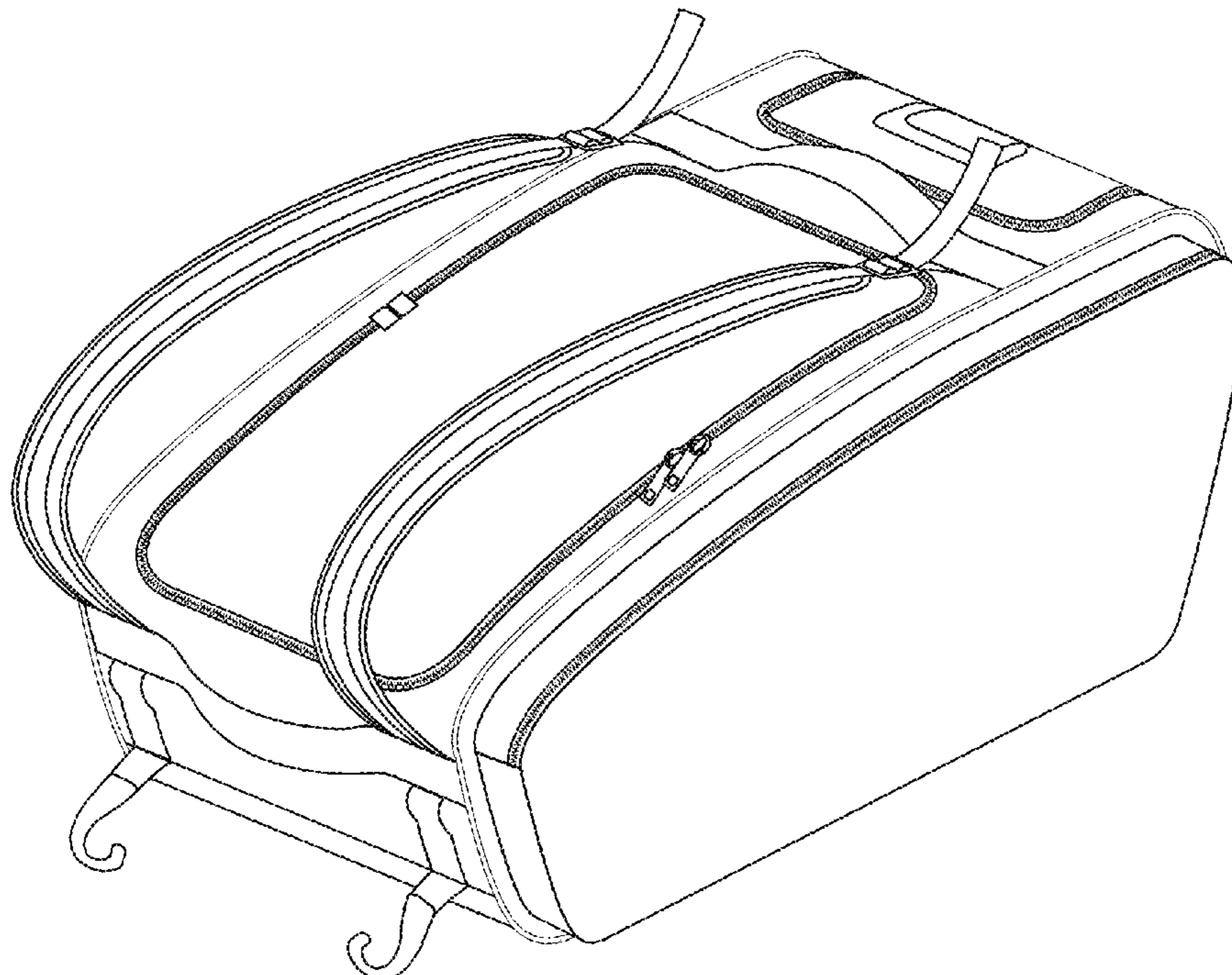
(57) **CLAIM**

The ornamental design for a baseball bag, as shown and described.

DESCRIPTION

FIG. 1 is a top right perspective view of a baseball bag showing our new design;
FIG. 2 is a top left perspective view thereof;
FIG. 3 is a right elevational view thereof;
FIG. 4 is a left elevational view thereof;
FIG. 5 is a top plan view thereof;
FIG. 6 is a bottom plan view thereof;
FIG. 7 is a front elevational view thereof; and,
FIG. 8 is a back elevational view thereof.

1 Claim, 8 Drawing Sheets



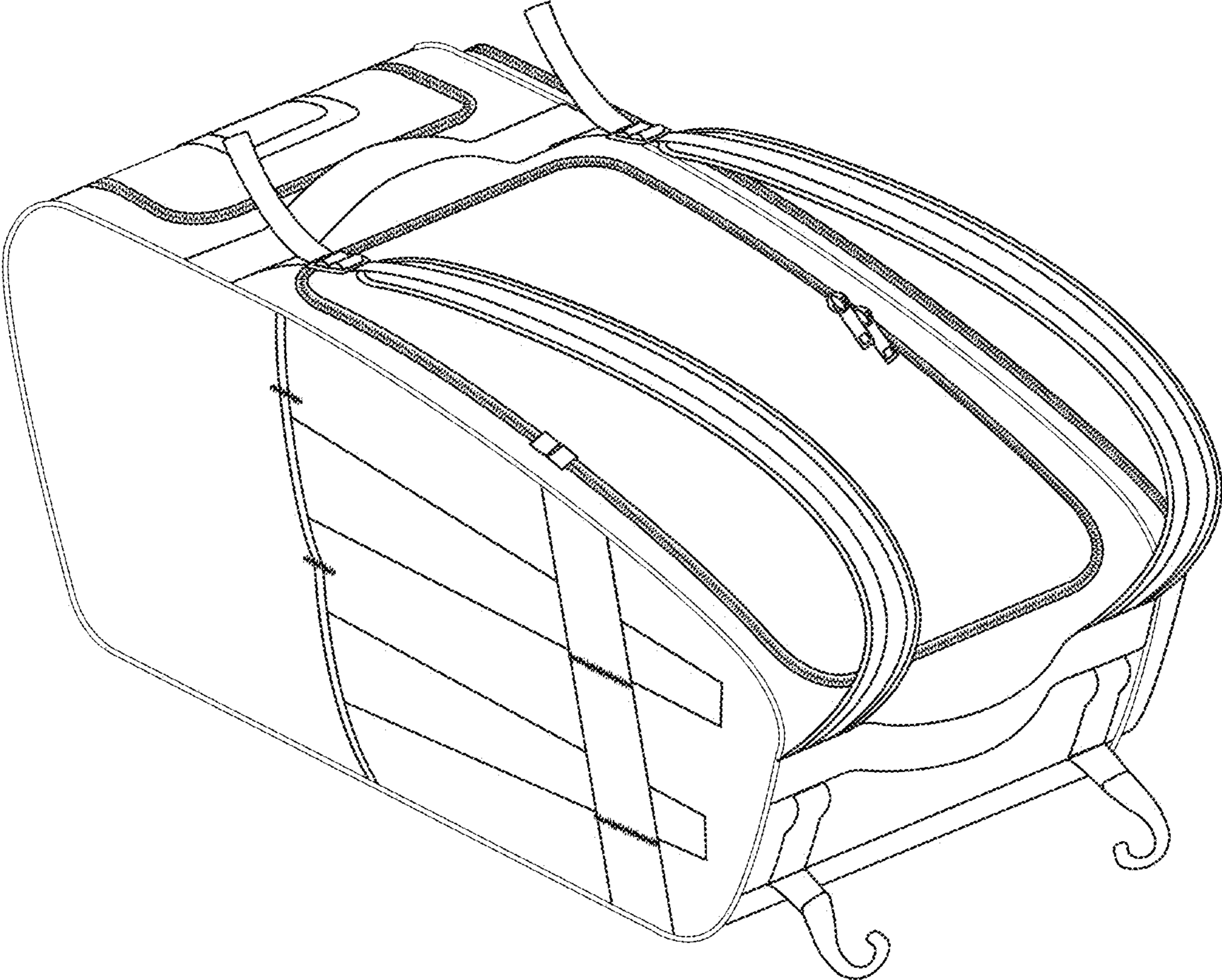


Fig.1

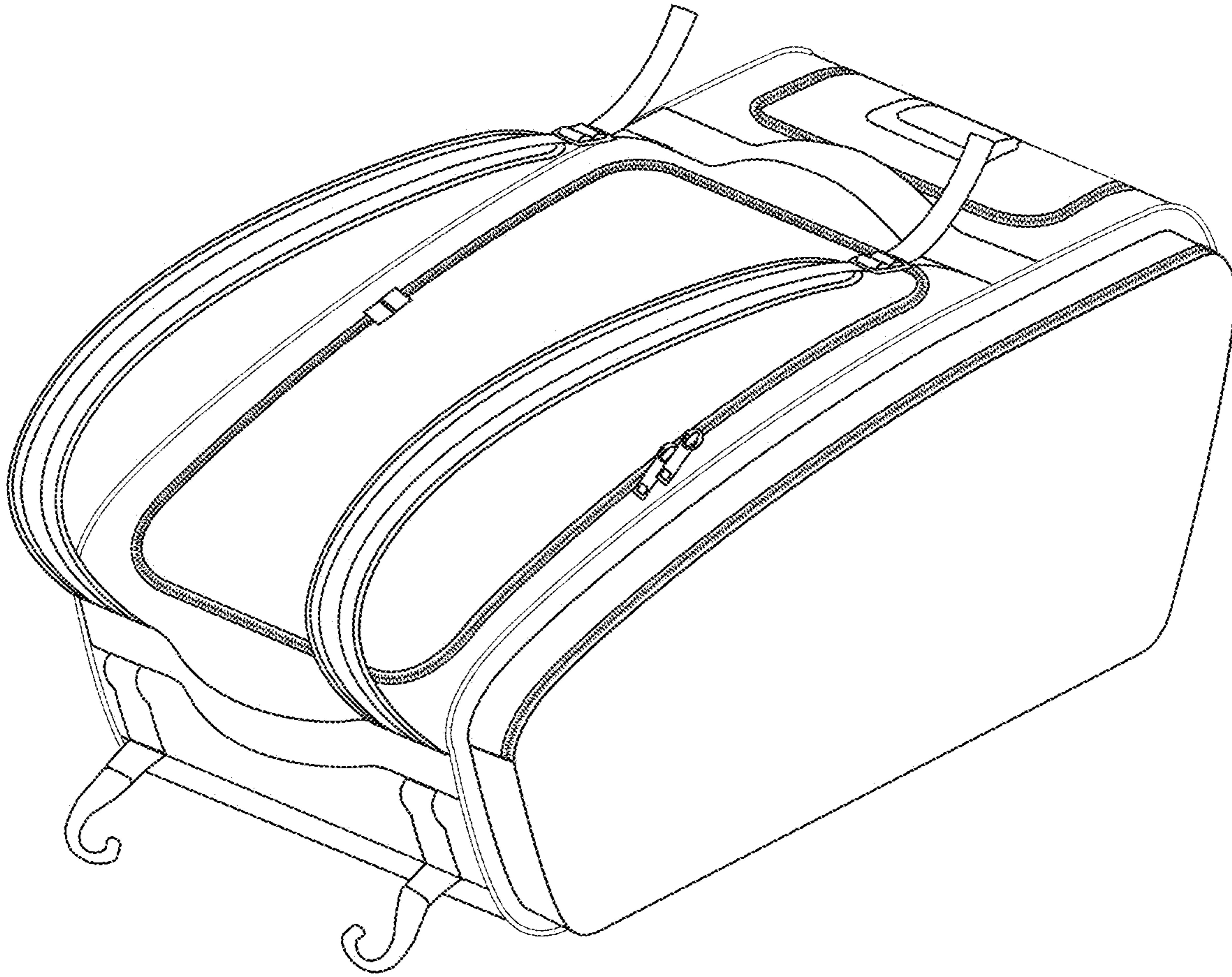


Fig. 2

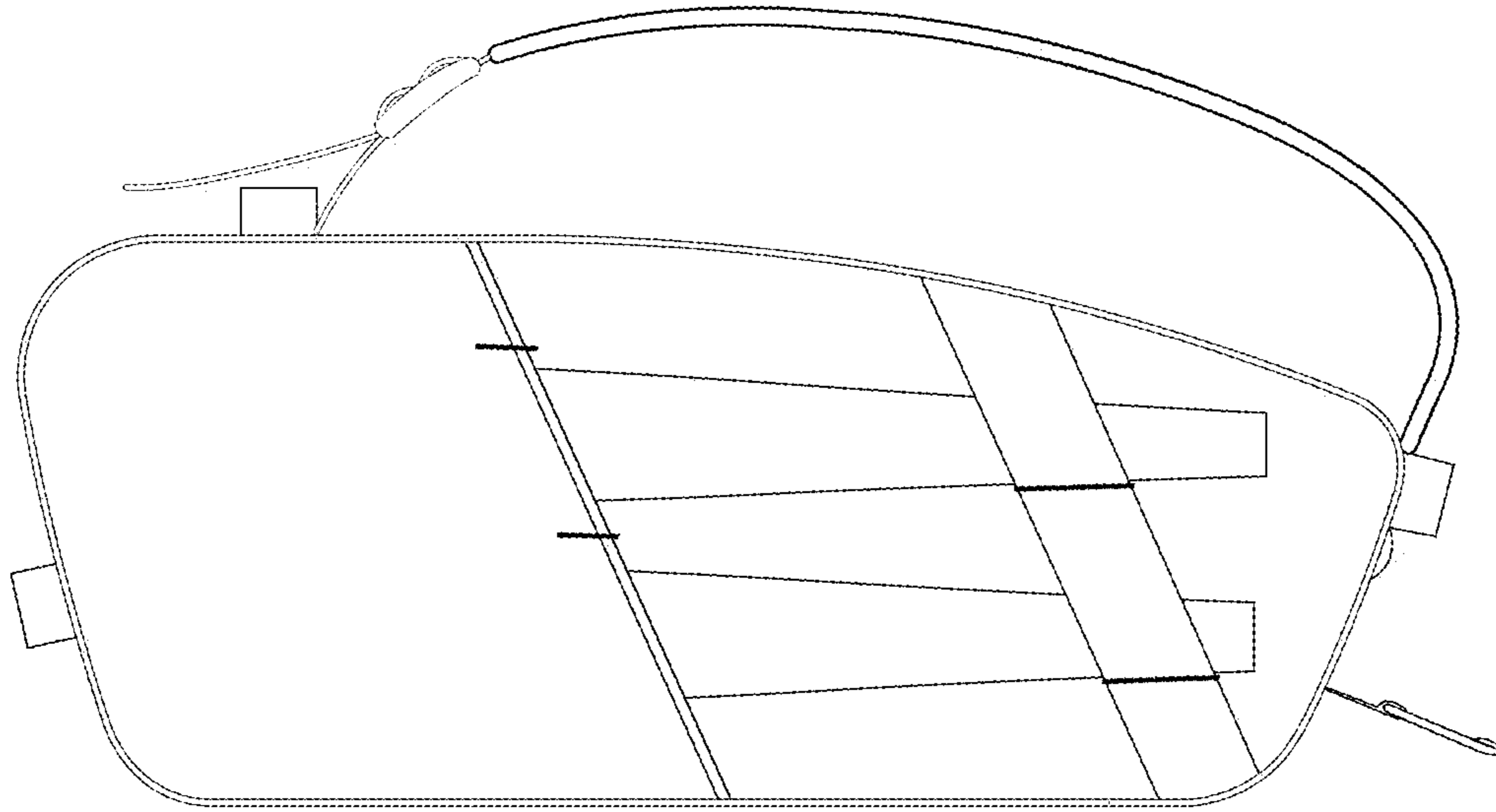


Fig. 3

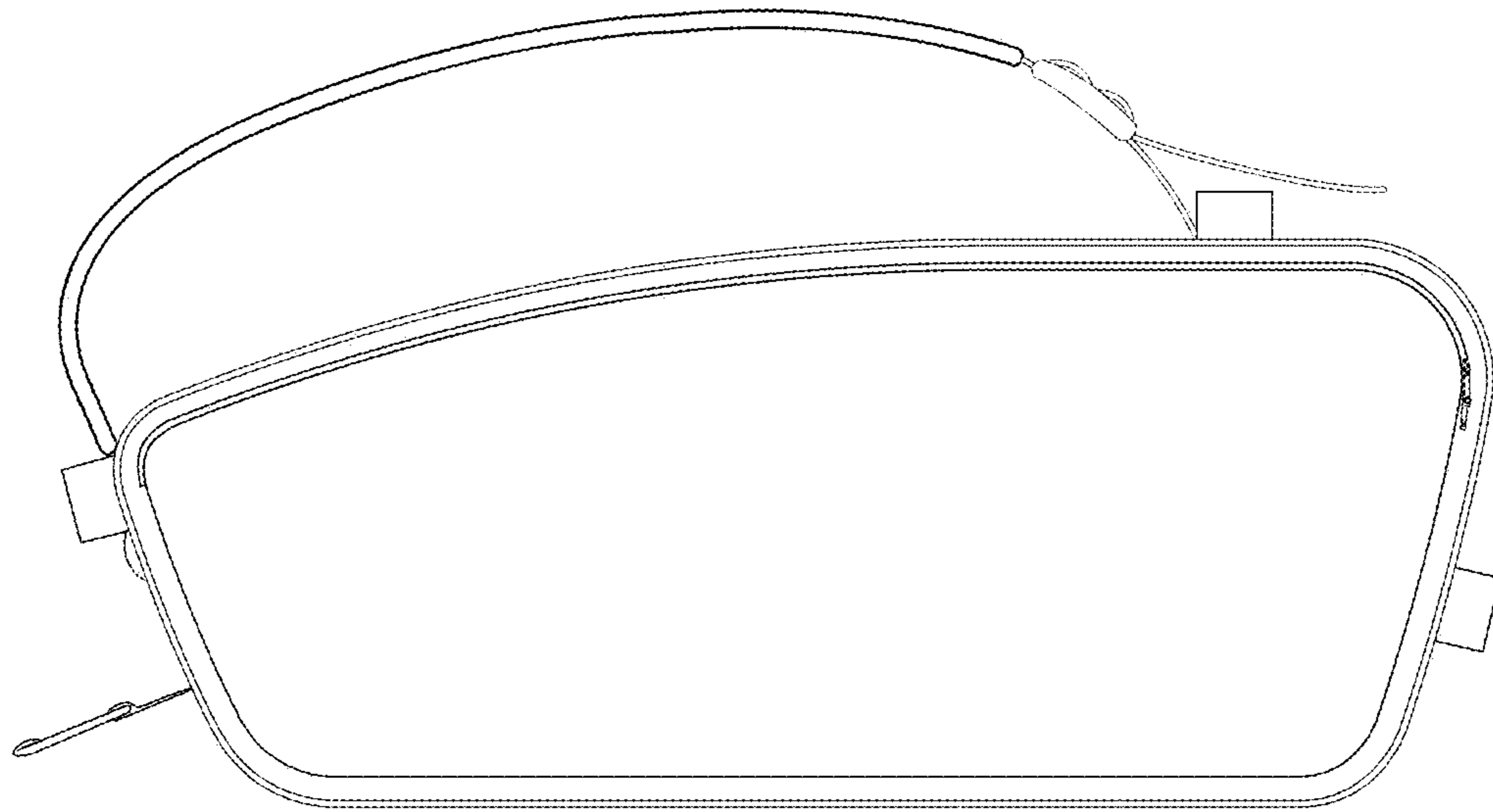


Fig. 4

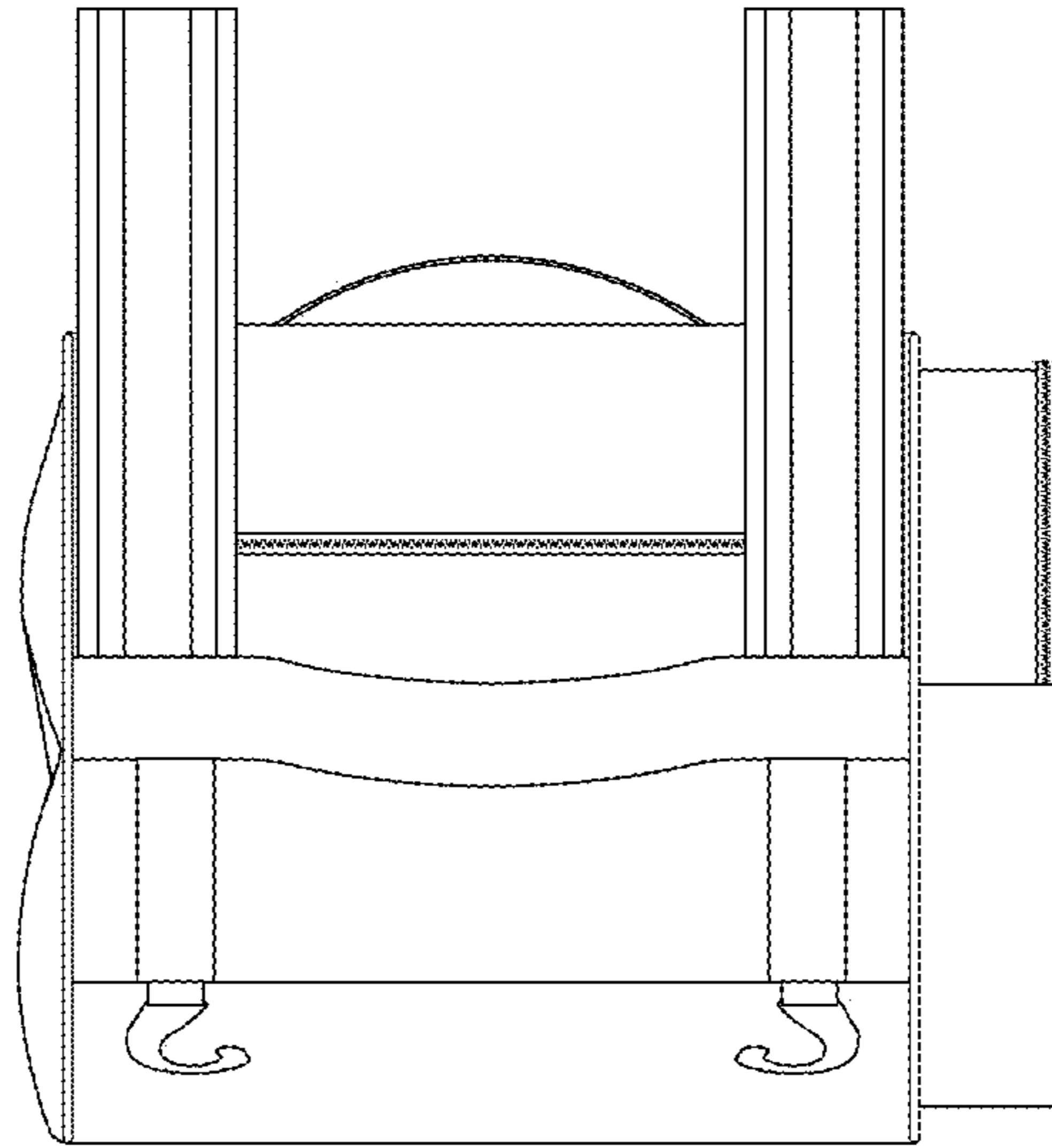


Fig. 5

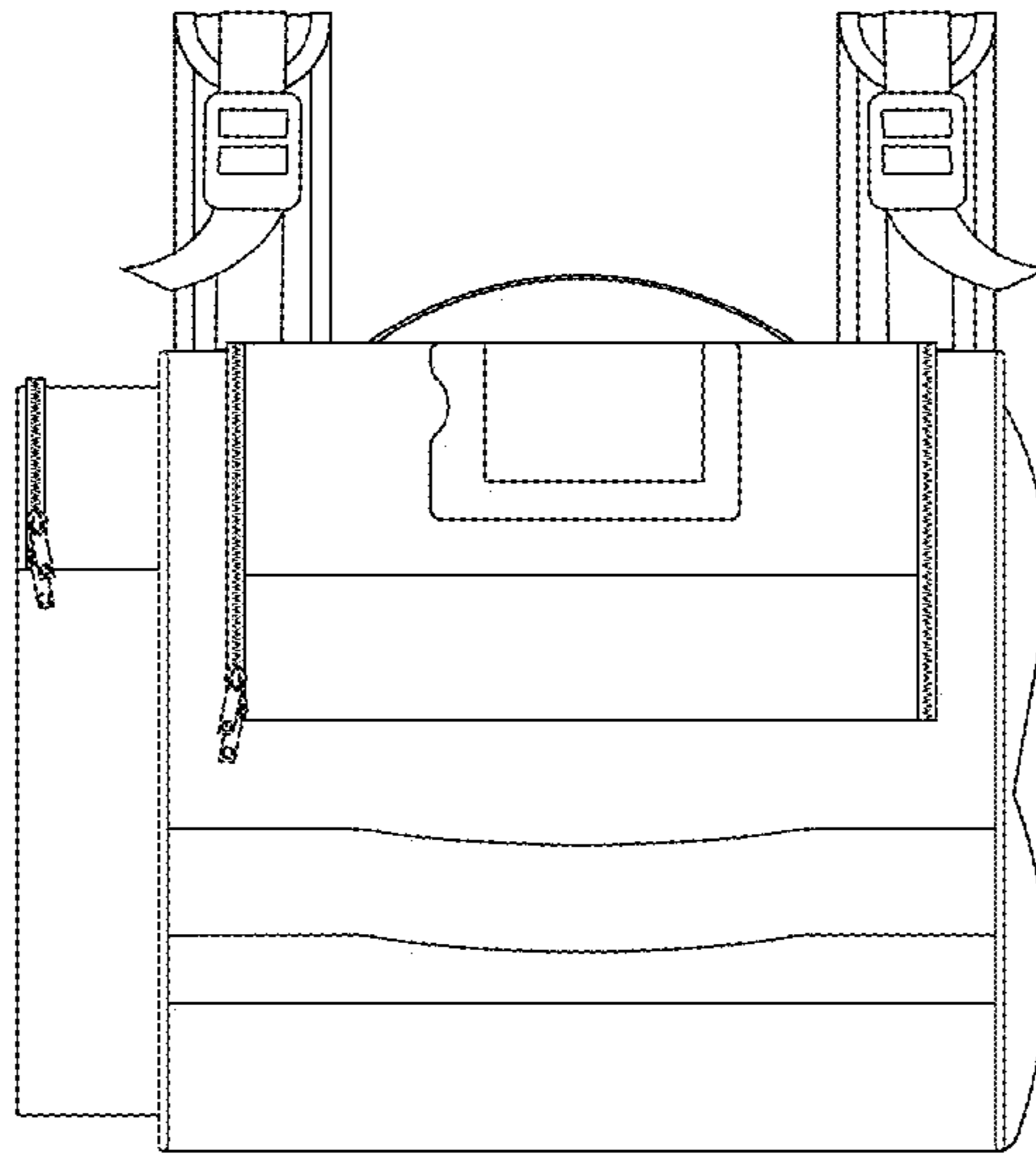


Fig. 6

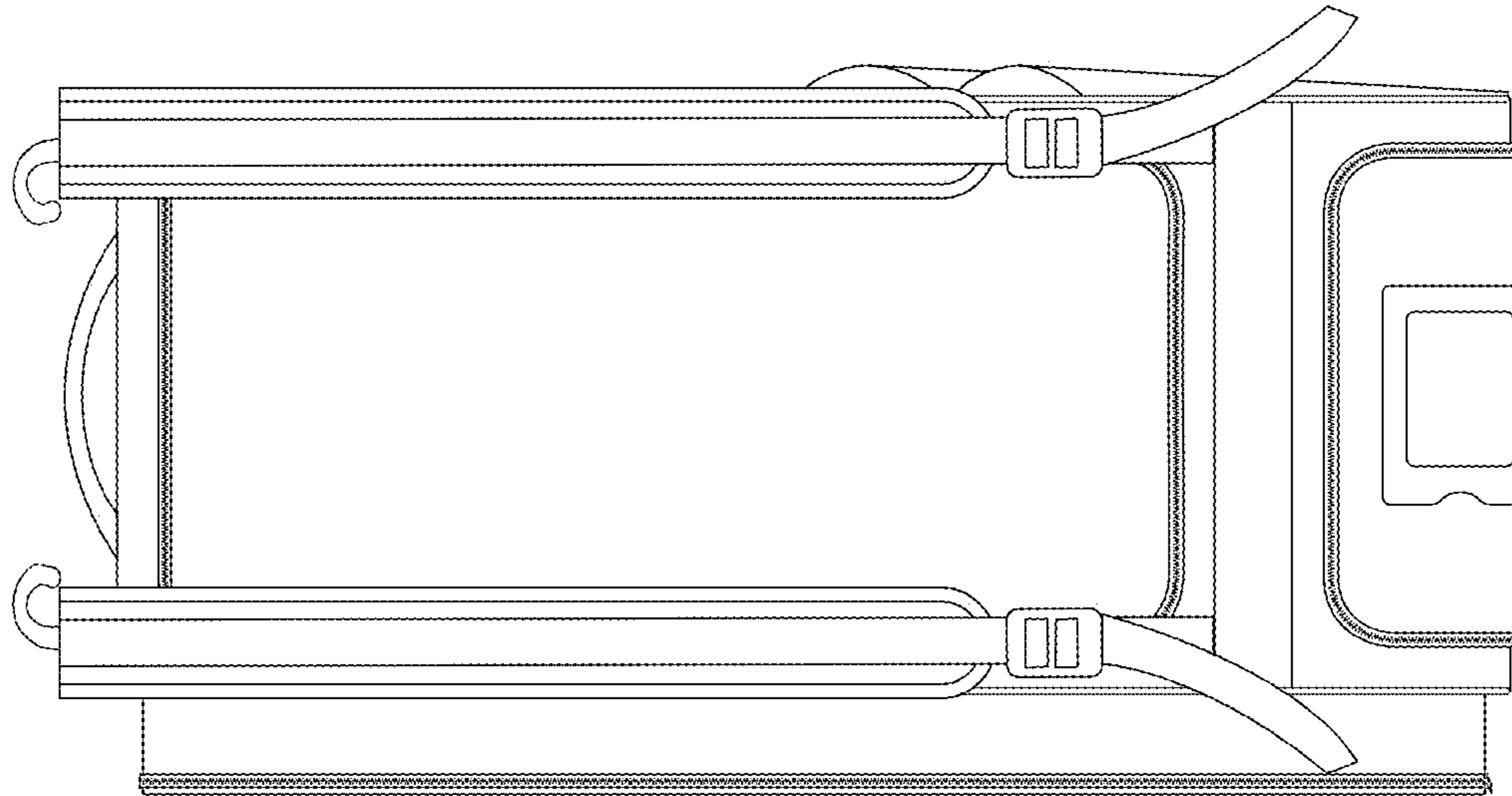


Fig. 7

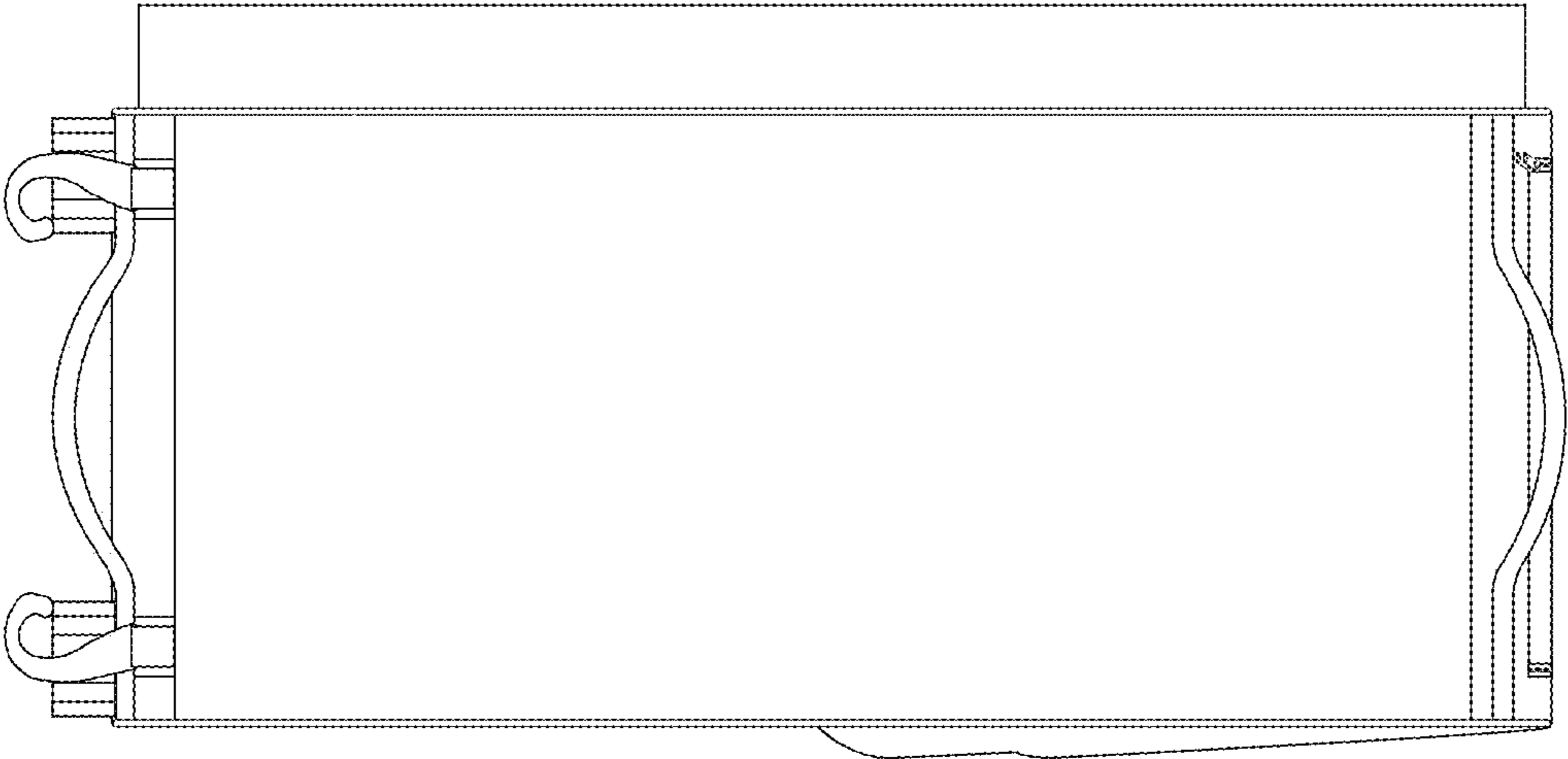


Fig. 8