

US00D890518S

(12) **United States Design Patent** (10) **Patent No.:** **US D890,518 S**  
**Smith** (45) **Date of Patent:** **\*\* Jul. 21, 2020**

(54) **BACKPACK**

(71) Applicant: **Callaway Golf Company**, Carlsbad, CA (US)

(72) Inventor: **Luke Smith**, Encinitas, CA (US)

(73) Assignee: **Ogio International, Inc.**, Carlsbad, CA (US)

(\*\*) Term: **15 Years**

(21) Appl. No.: **29/668,776**

(22) Filed: **Nov. 1, 2018**

(51) **LOC (12) Cl.** ..... **03-01**

(52) **U.S. Cl.**  
USPC ..... **D3/217**

(58) **Field of Classification Search**  
USPC ..... D3/201, 213–219, 221, 224, 225, 229,  
D3/230, 232, 243–246, 254, 318  
CPC ..... A45F 3/04; A45F 4/02; A45F 2200/0525;  
A45F 2003/045; A45C 11/00; A45C  
13/30; A45C 2011/002; A45C 2011/003;  
A45C 2011/001; A45C 15/00  
See application file for complete search history.

(56) **References Cited**

**U.S. PATENT DOCUMENTS**

D249,594 S \* 9/1978 Stewart ..... D3/217  
4,491,258 A \* 1/1985 Jones ..... B62J 9/00  
224/153  
D674,183 S \* 1/2013 Iacchetti ..... D3/216  
D674,591 S \* 1/2013 Hargens ..... D3/217  
D698,542 S \* 2/2014 January ..... D3/216

D702,434 S \* 4/2014 Chalk ..... D3/216  
D710,085 S \* 8/2014 Szewczyk ..... D3/217  
D710,086 S \* 8/2014 Szewczyk ..... D3/217  
D714,541 S \* 10/2014 Anderson ..... D3/217  
D742,631 S \* 11/2015 Kim ..... D3/217  
D745,777 S \* 12/2015 Zwetzig ..... D3/217  
D770,761 S \* 11/2016 Deioma ..... D3/217  
D775,816 S \* 1/2017 Slimane ..... D3/217  
D802,295 S \* 11/2017 Wu ..... D3/217

\* cited by examiner

*Primary Examiner* — Jennifer L Watkins

(74) *Attorney, Agent, or Firm* — Rebecca Hanovice;  
Michael Catania; Sonia Lari

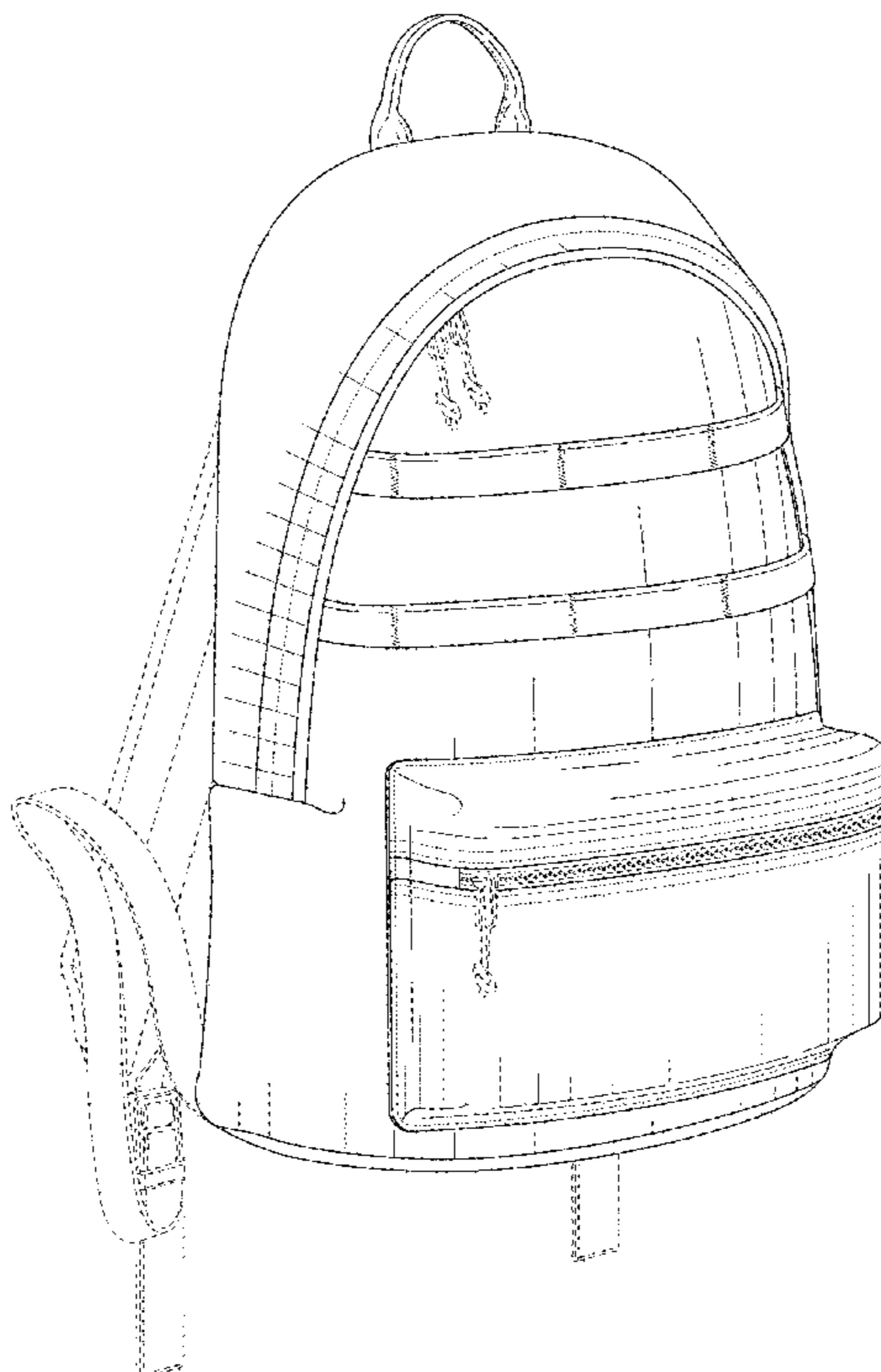
(57) **CLAIM**

The ornamental design for a backpack, as shown and described.

**DESCRIPTION**

FIG. 1 is a front perspective view of the backpack claimed herein;  
FIG. 2 is another front perspective view thereof;  
FIG. 3 is a front elevational view thereof;  
FIG. 4 is a back elevational view thereof;  
FIG. 5 is a left side elevational view thereof;  
FIG. 6 is a right side elevational view thereof;  
FIG. 7 is a top plan view thereof; and,  
FIG. 8 is a bottom plan view thereof.  
The broken lines depict portions of the article and stitching and form no part of the claim.

**1 Claim, 7 Drawing Sheets**



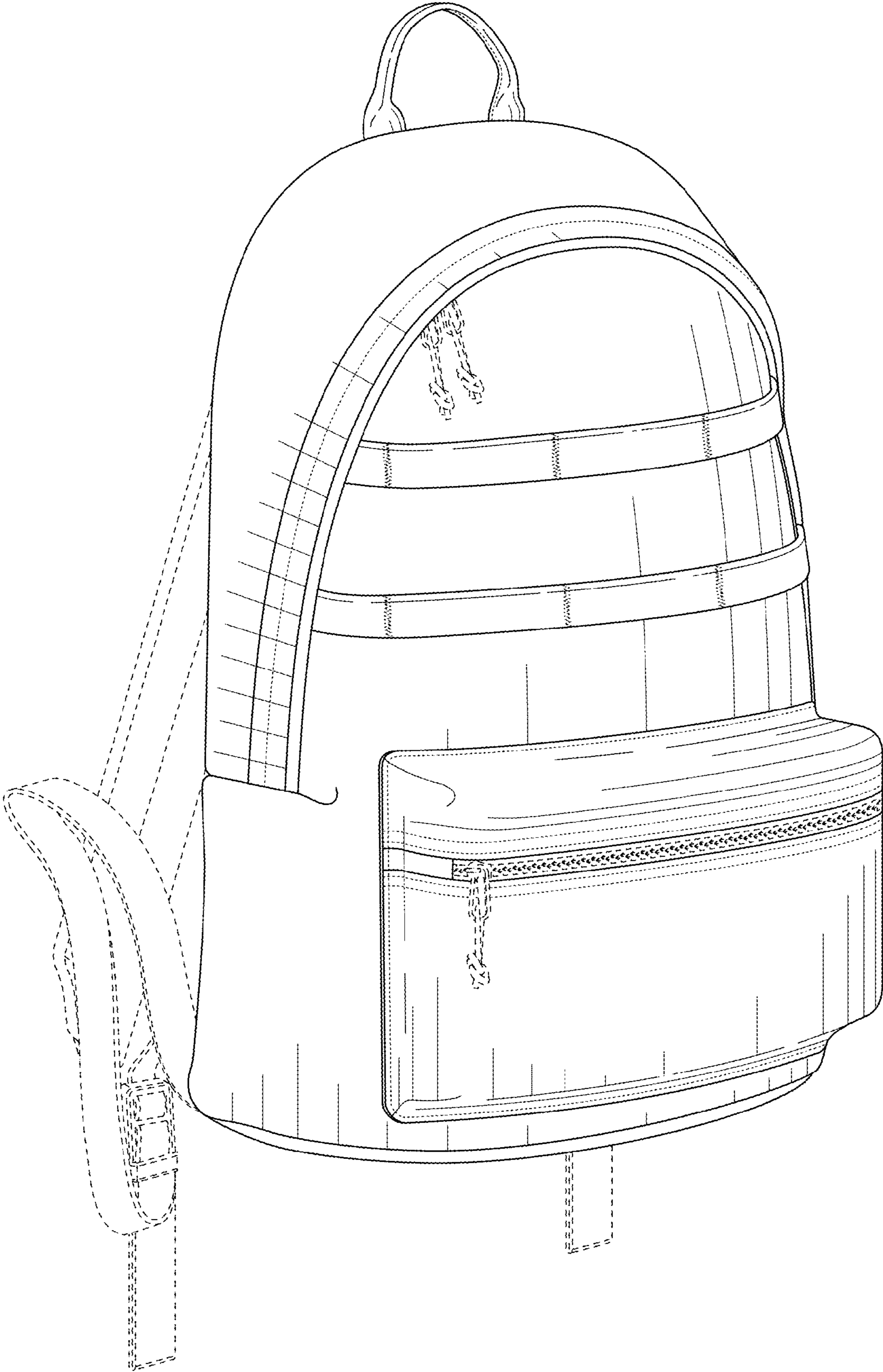


FIG. 1

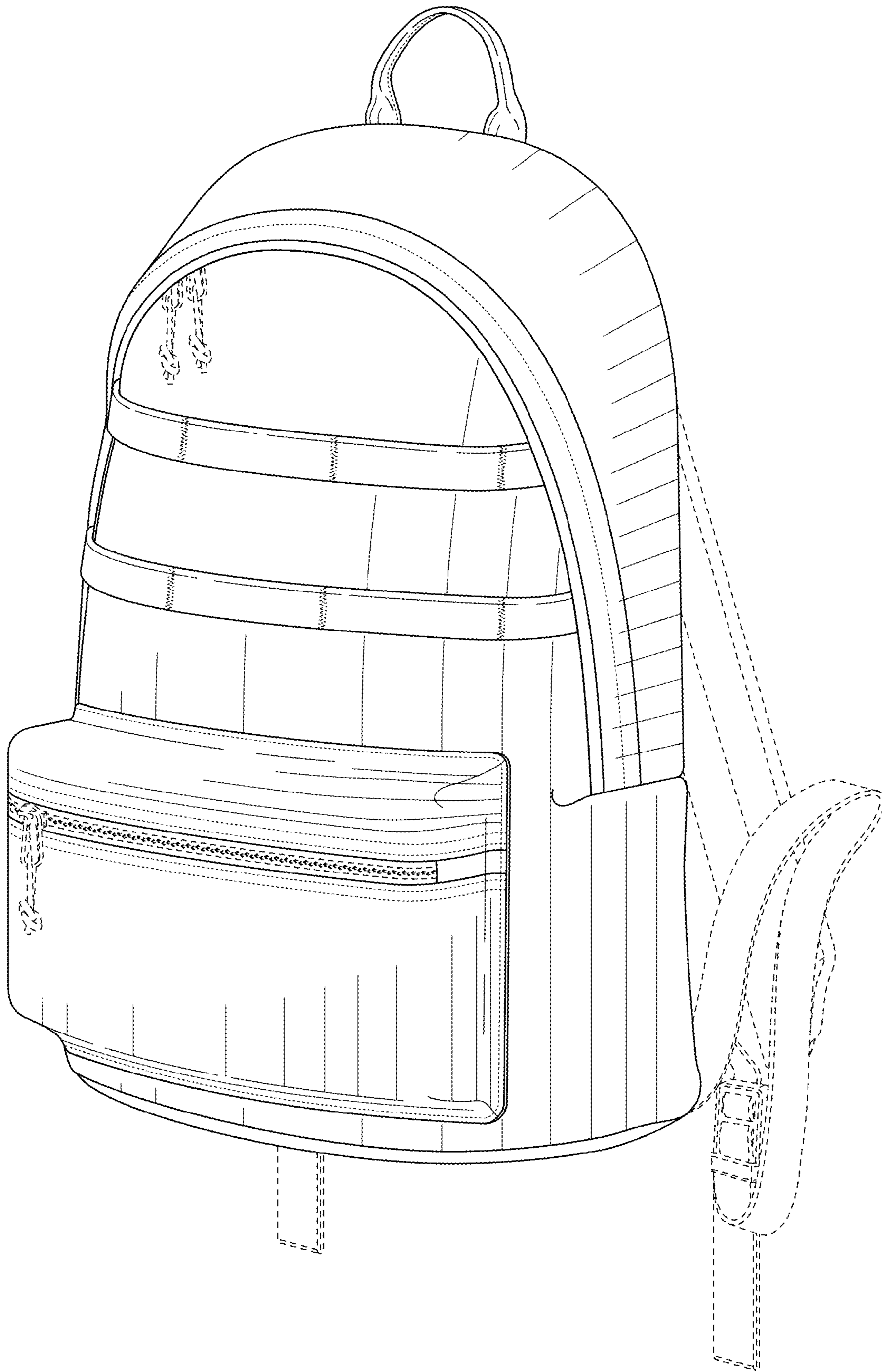


FIG. 2

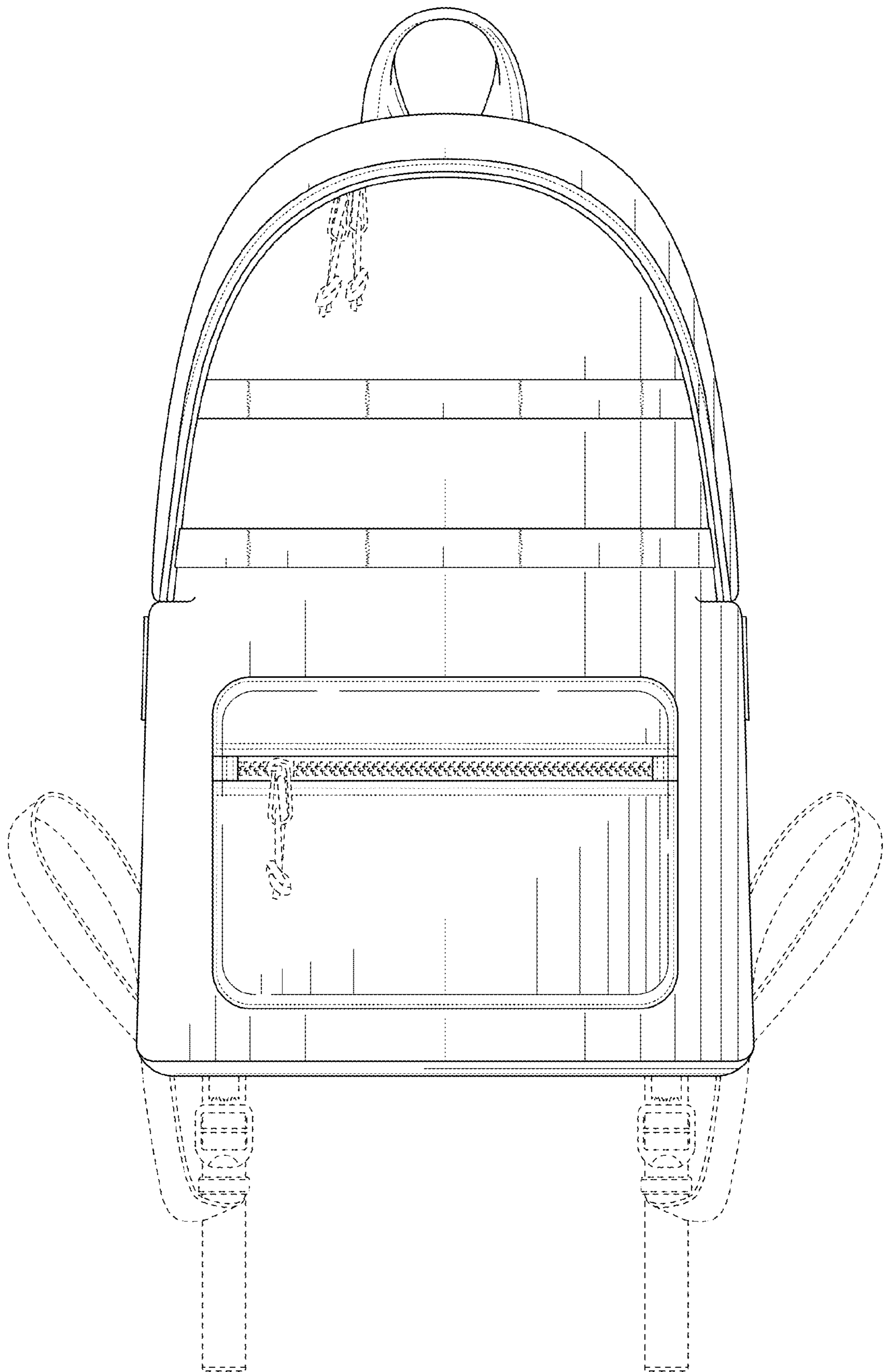


FIG. 3

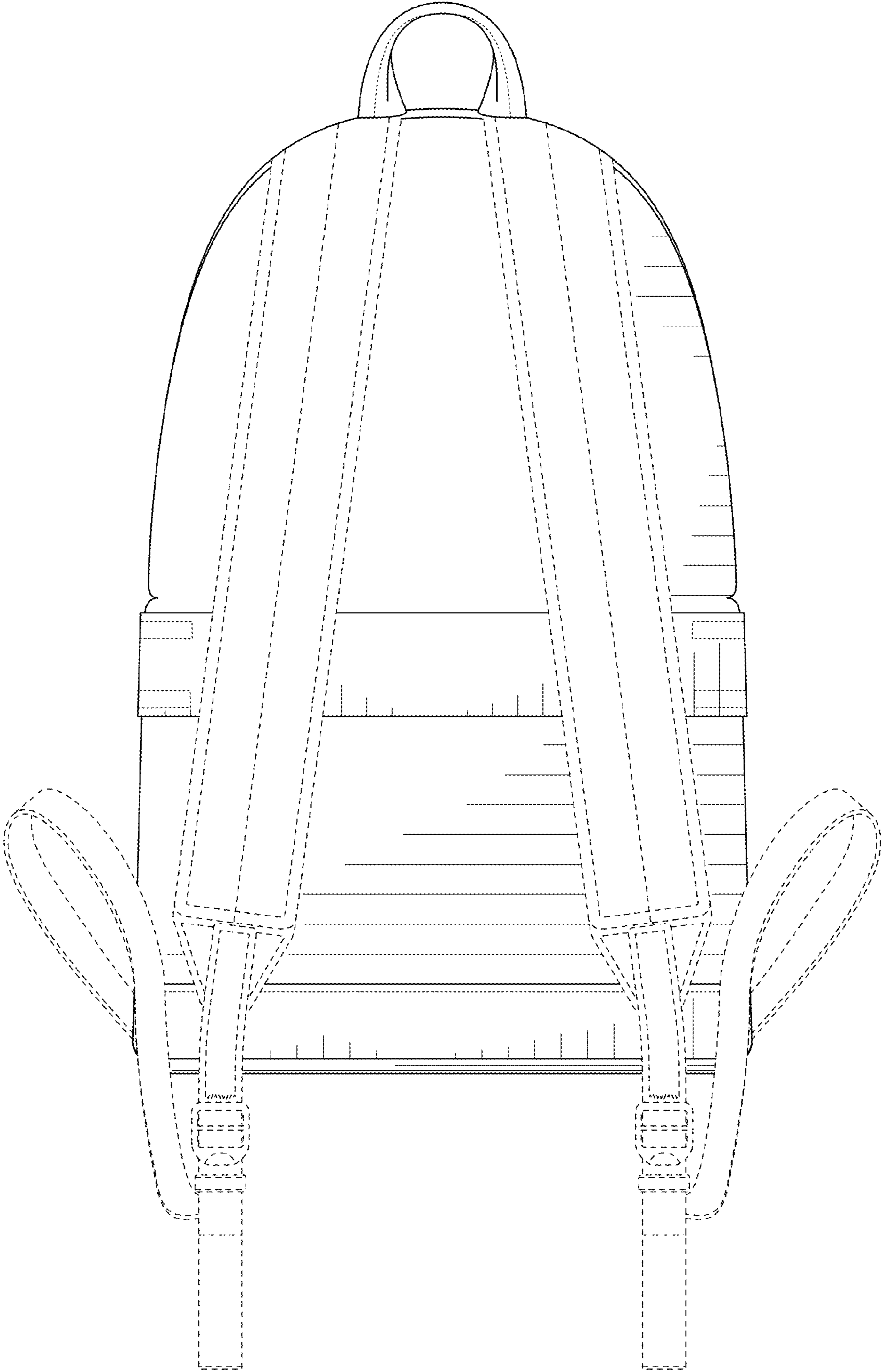


FIG. 4

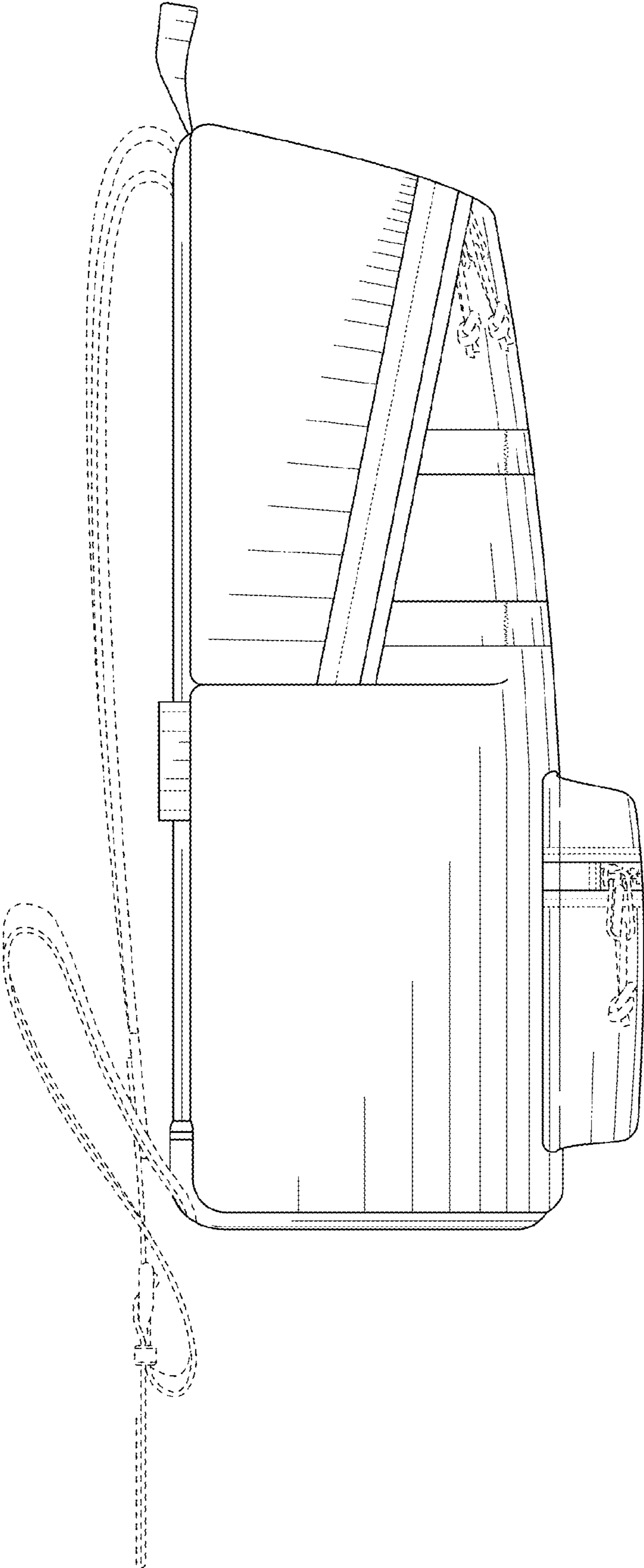


FIG. 5

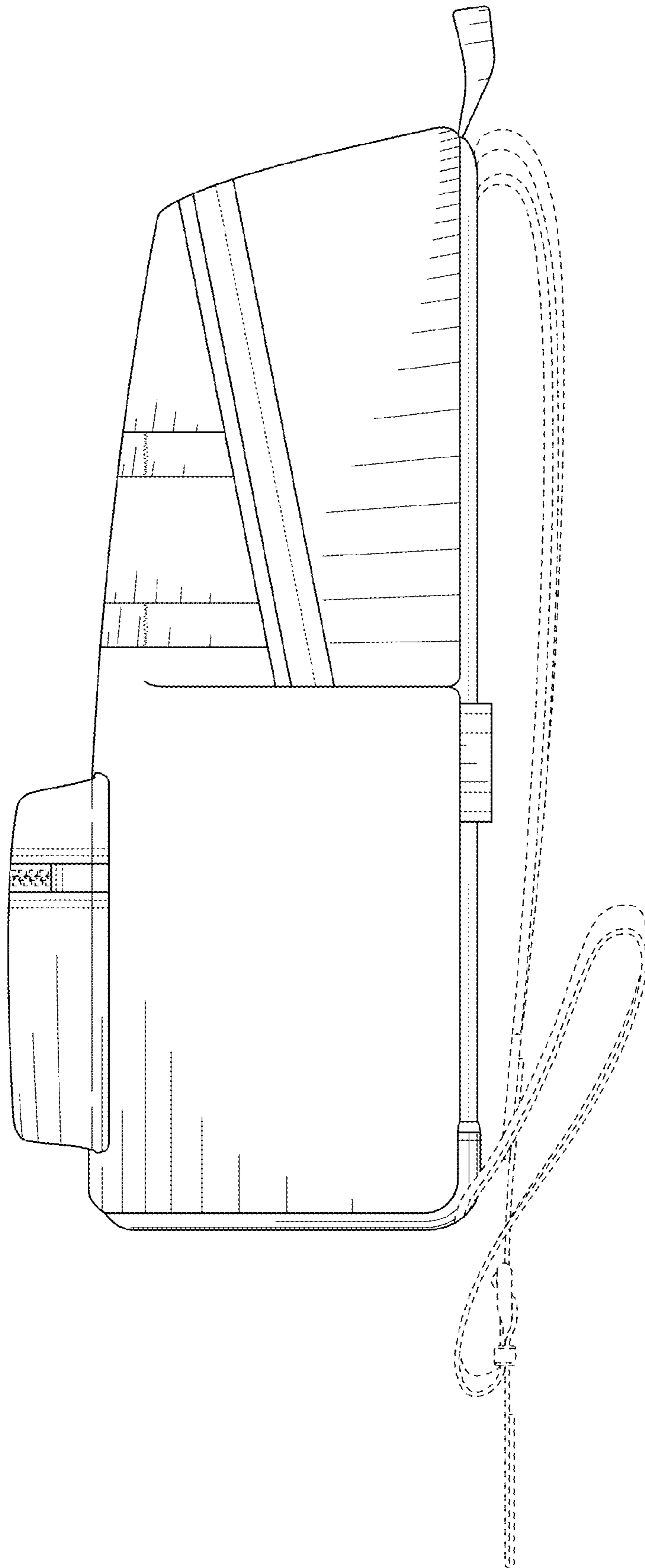


FIG. 6

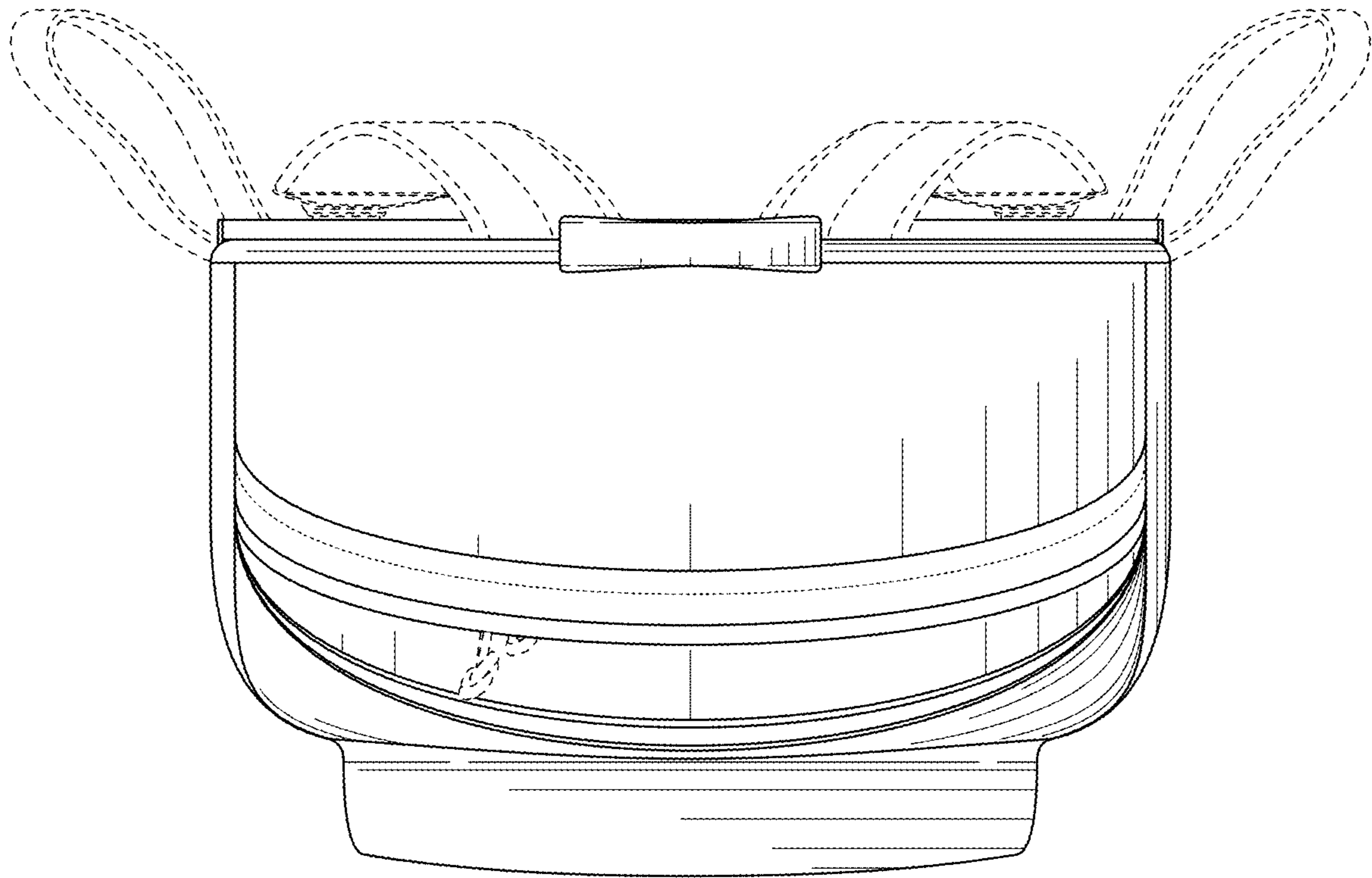


FIG. 7

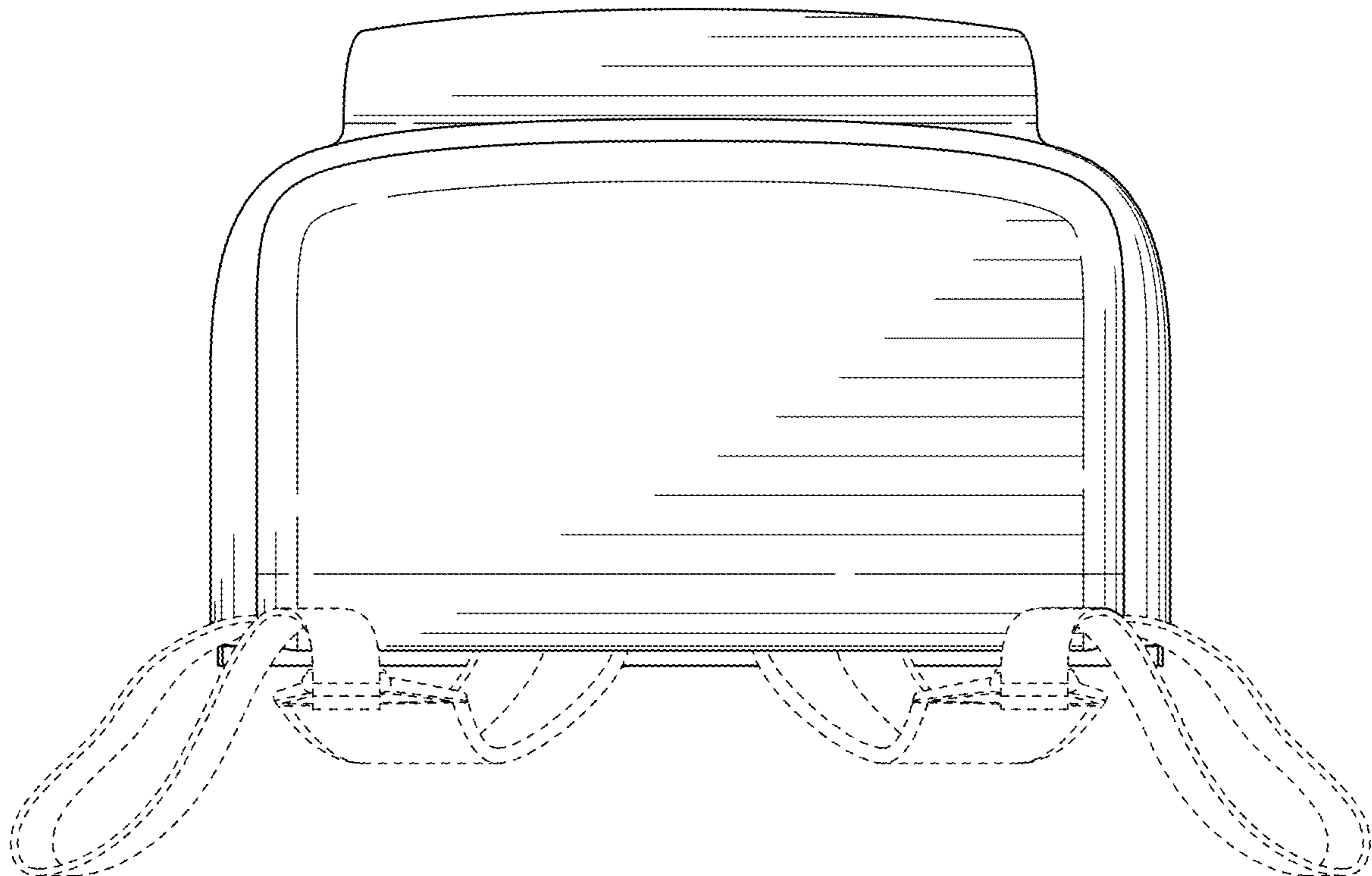


FIG. 8