



US00D890516S

(12) **United States Design Patent** (10) **Patent No.:** **US D890,516 S**  
**Jacobsen** (45) **Date of Patent:** **\*\* Jul. 21, 2020**

(54) **BACKPACK**  
(71) Applicant: **RTIC OUTDOORS, LLC**, Houston, TX (US)  
(72) Inventor: **James Matthew Jacobsen**, Houston, TX (US)  
(73) Assignee: **RTIC Outdoors, LLC**, Houston, TX (US)

D844,979 S 4/2019 Munie et al.  
D866,167 S 11/2019 Chudy  
D872,991 S 1/2020 Grill  
2008/0251550 A1 10/2008 Tong  
2012/0205409 A1\* 8/2012 Quartarone, III ..... A45F 3/04  
224/259  
2018/0035787 A1 2/2018 Jaeger et al.

(\*\*) Term: **15 Years**  
(21) Appl. No.: **29/662,424**

(22) Filed: **Sep. 5, 2018**  
(51) **LOC (12) Cl.** ..... **03-01**  
(52) **U.S. Cl.**  
USPC ..... **D3/217**  
(58) **Field of Classification Search**  
USPC ..... D3/216, 217, 274, 276, 279, 283, 289,  
D3/290, 321, 900, 902, 243, 226  
CPC . A45F 3/04; A45F 3/047; A45C 15/00; A45C  
3/00  
See application file for complete search history.

(56) **References Cited**

**U.S. PATENT DOCUMENTS**

D451,274 S \* 12/2001 Kegels ..... D3/216  
D457,306 S \* 5/2002 Szyf ..... D3/216  
D552,845 S \* 10/2007 Shor ..... D3/217  
D569,099 S \* 5/2008 Gossett ..... D3/217  
D699,942 S \* 2/2014 Mather ..... D3/216  
D702,434 S 4/2014 Chalk et al.  
D737,047 S \* 8/2015 Robert ..... D3/217  
D799,815 S \* 10/2017 Tong ..... D3/217  
D841,978 S \* 3/2019 Ou ..... D3/217  
D844,975 S 4/2019 Munie et al.  
D844,976 S 4/2019 Munie et al.  
D844,977 S 4/2019 Munie et al.  
D844,978 S 4/2019 Munie et al.

**OTHER PUBLICATIONS**

Amazon, "RTIC Summit Laptop Bag in Confetti", First on sale Jul. 19, 2019. (<https://www.amazon.com/RTIC-Summit-Laptop-Bag-Confetti/dp/B07VFY12WC>) (Year: 2019).\*  
U.S. Appl. No. 29/660,625, filed Aug. 22, 2018, Jacobsen.

(Continued)

*Primary Examiner* — April Rivas  
(74) *Attorney, Agent, or Firm* — Fish & Richardson P.C.

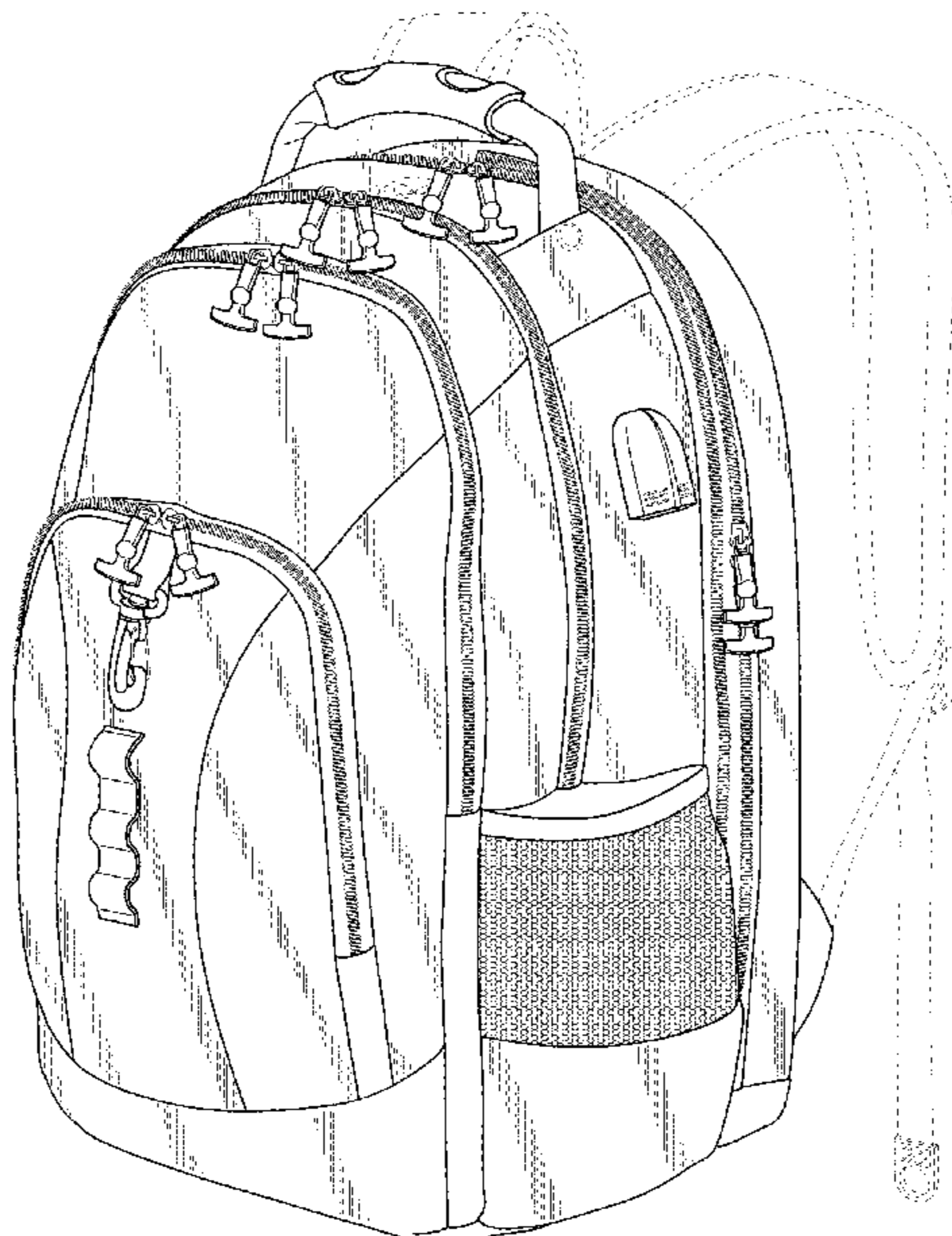
(57) **CLAIM**

The ornamental design for a backpack, as shown and described.

**DESCRIPTION**

FIG. 1 is a perspective view of a backpack showing my new design.  
FIG. 2 is a top view thereof.  
FIG. 3 is a bottom view thereof.  
FIG. 4 is a front view thereof.  
FIG. 5 is a rear view thereof  
FIG. 6 is a right side view thereof; and,  
FIG. 7 is a left side view thereof.  
The broken lines in the drawings indicate parts of the article and form no part of the claimed design.  
The surface shading and contour lines shown in the drawings represent the three-dimensional character and contour of the article, and are not intended to illustrate material, surface ornamentation or surface decoration.

**1 Claim, 4 Drawing Sheets**





(56)

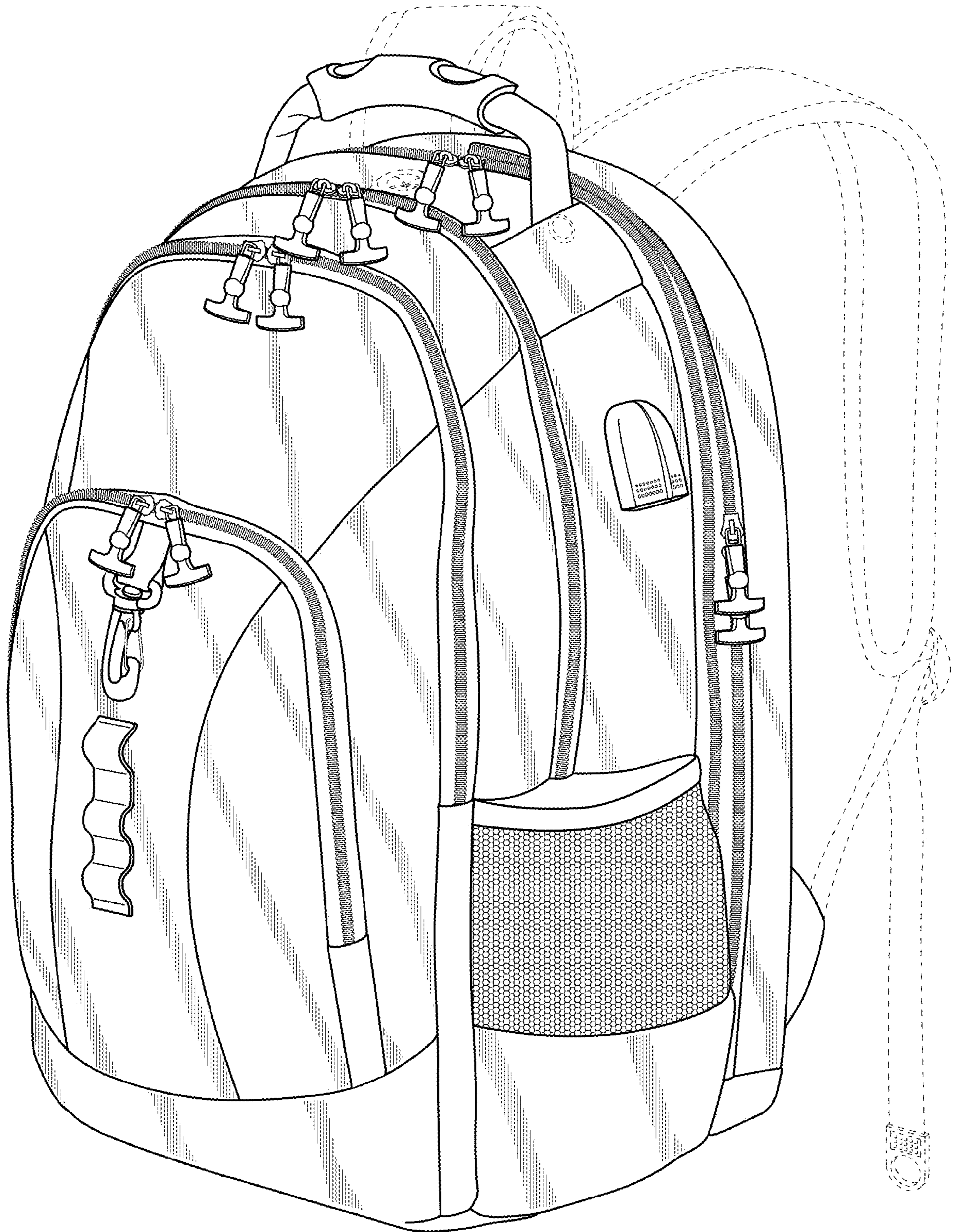
**References Cited**

OTHER PUBLICATIONS

'ebags.com' [online]. "SwissGear Travel Gear, ScanSmart Backpack 1271," Published on or before Aug. 21, 2018, [retrieved on Mar. 20, 2019], Retrieved from the Internet: URL<<https://www.ebags.com/product/swissgear-travel-gear/scansmart-backpack/205058?productid=10111178>>. 13 pages.

'ebags.com' [online]. "SwissGear Travel Gear, 18.5" Laptop Backpack 6681—Exclusive," Published on or before Aug. 21, 2018, [retrieved on Mar. 20, 2019], Retrieved from the Internet: URL<<https://www.ebags.com/product/swissgear-travel-gear/185-backpack-exclusive/288182?productid=10345087>>. 12 pages.

\* cited by examiner



*Fig.1*

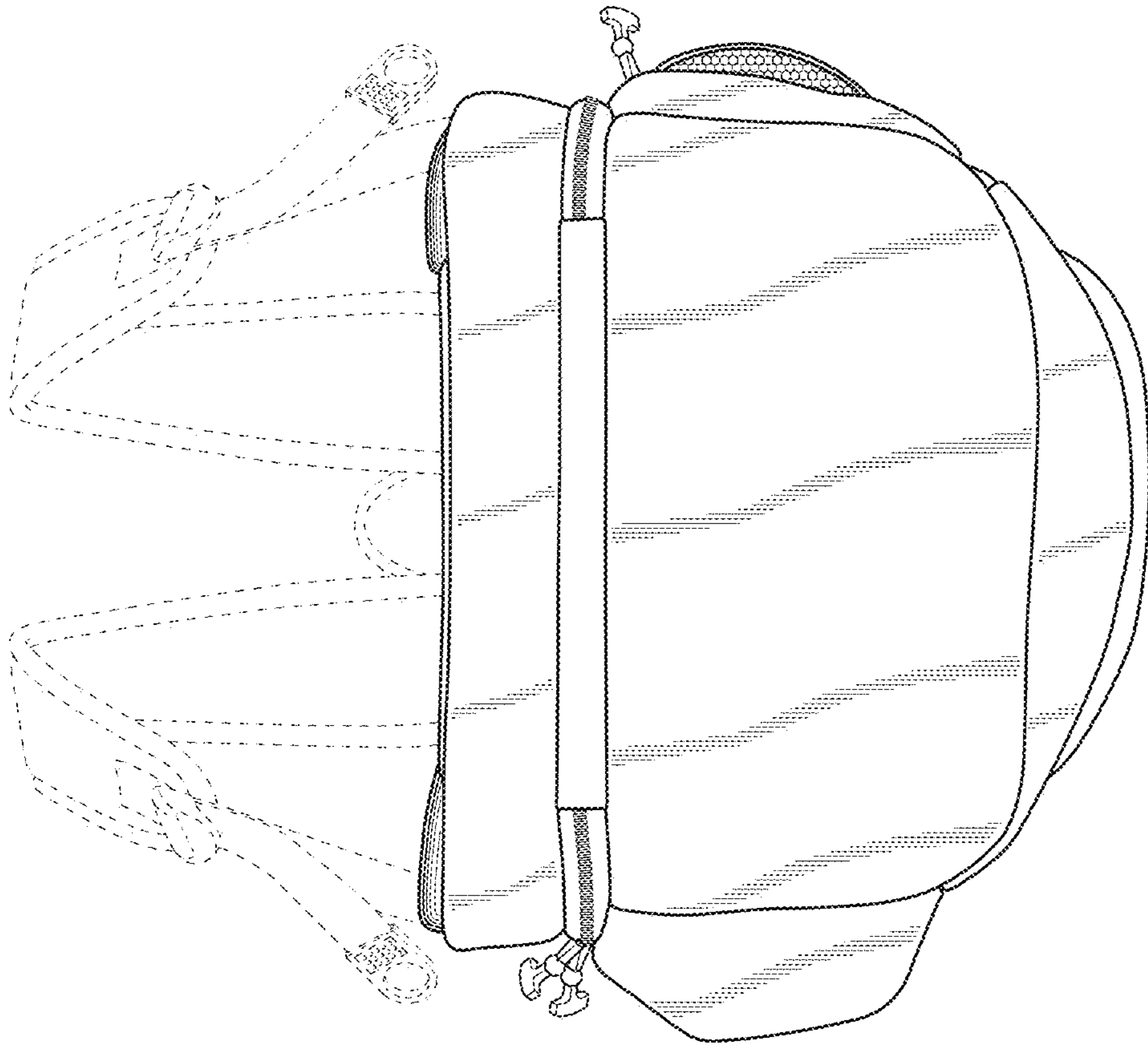


Fig.3

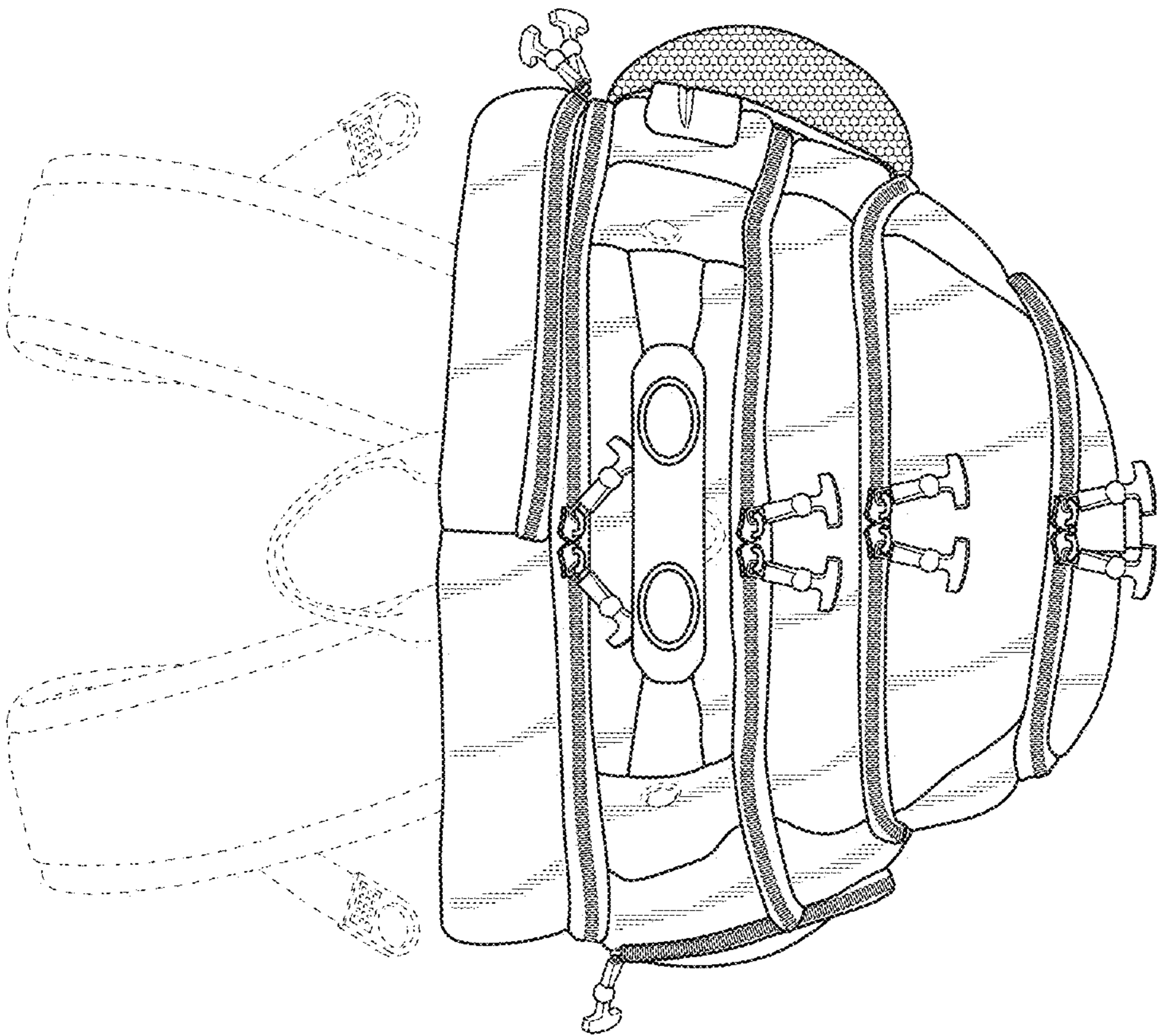


Fig.2

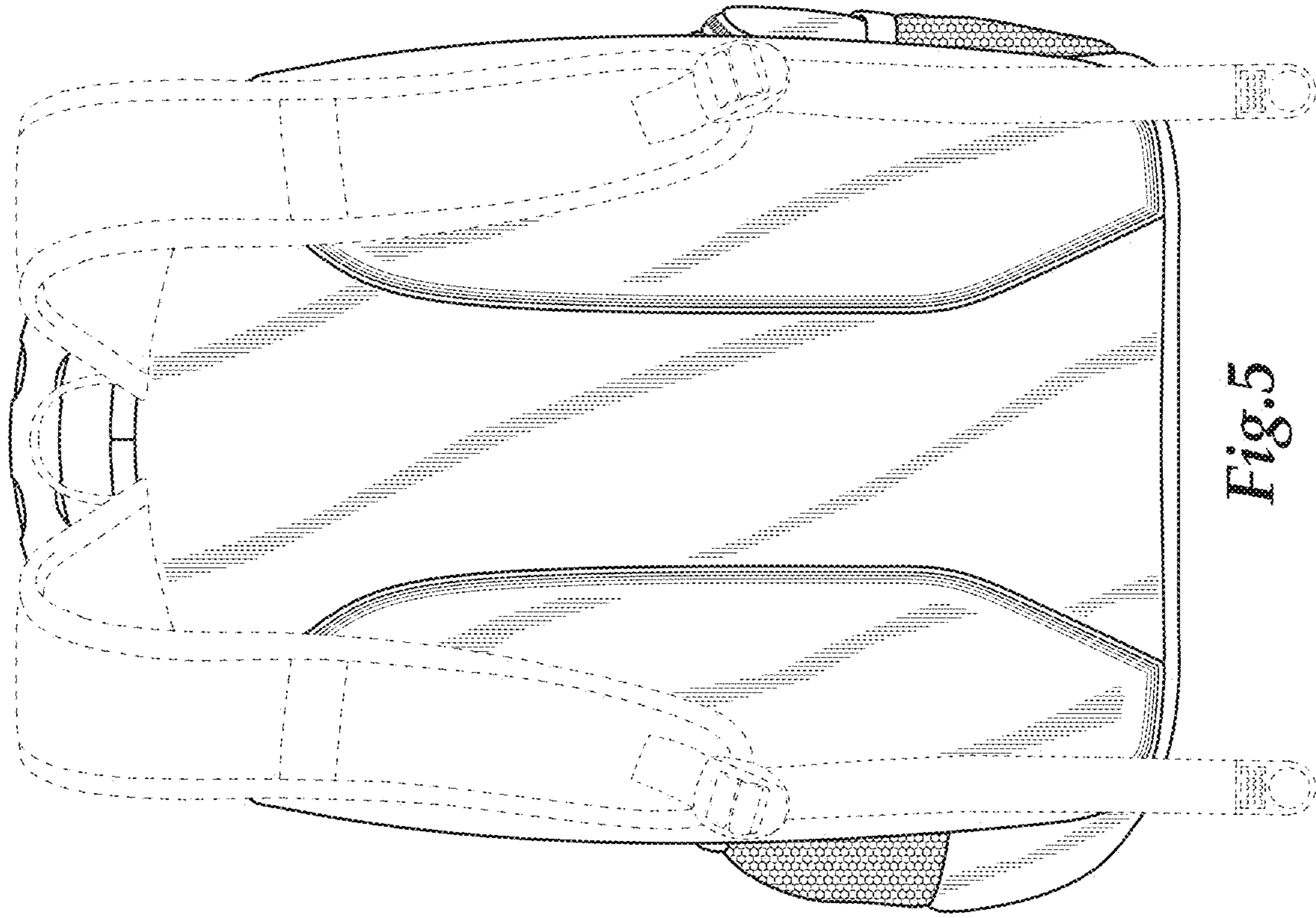


Fig.5

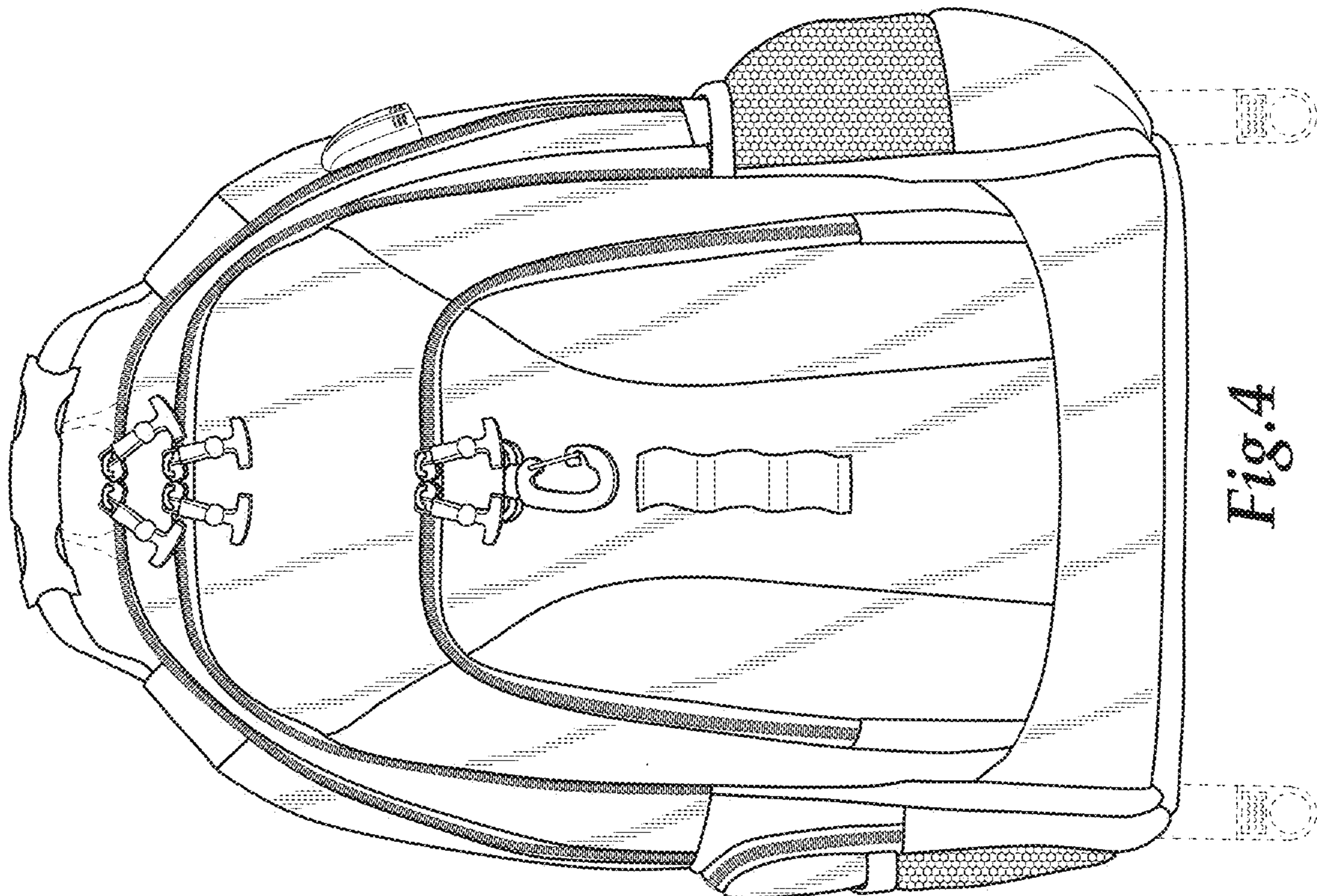


Fig.4

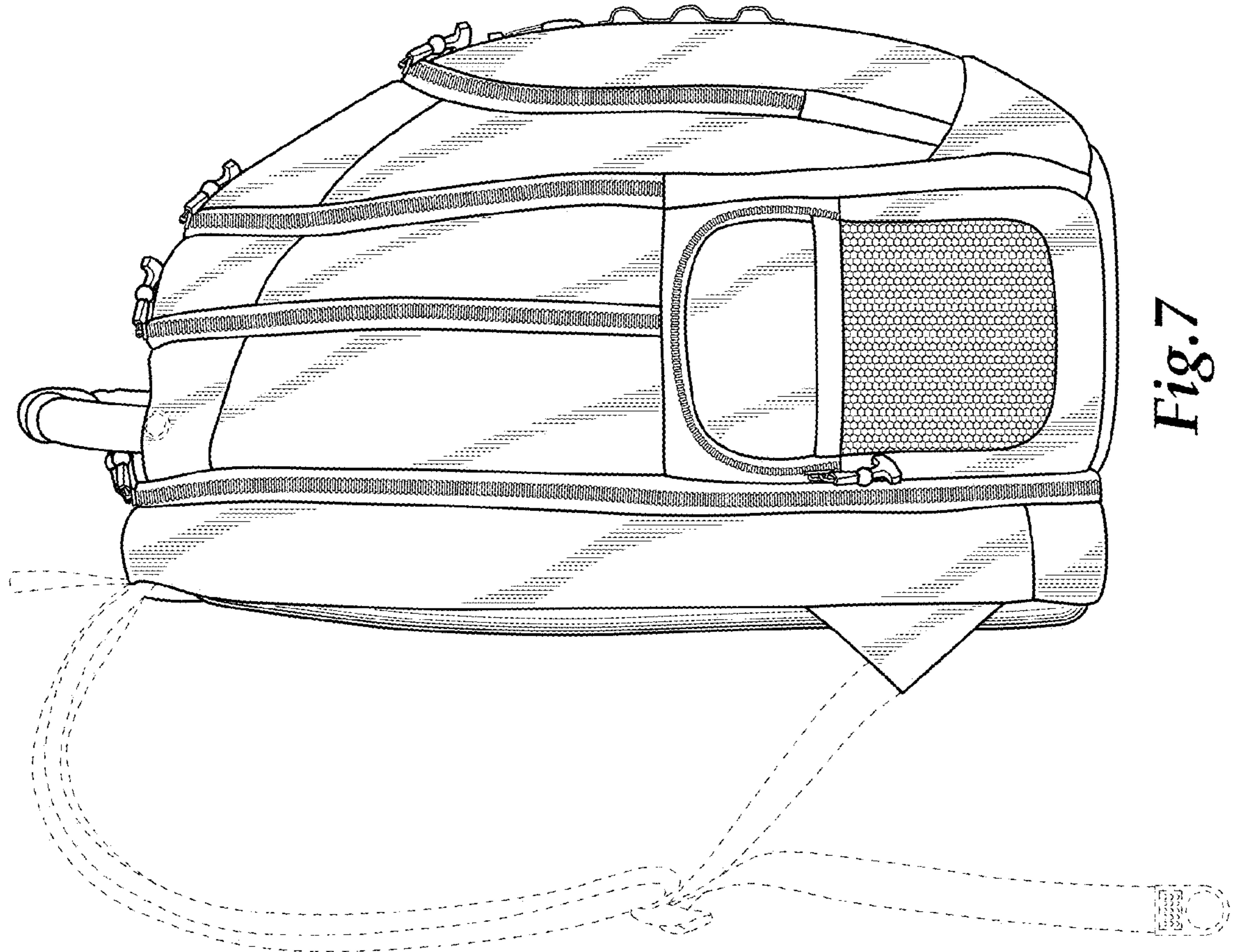


Fig. 7

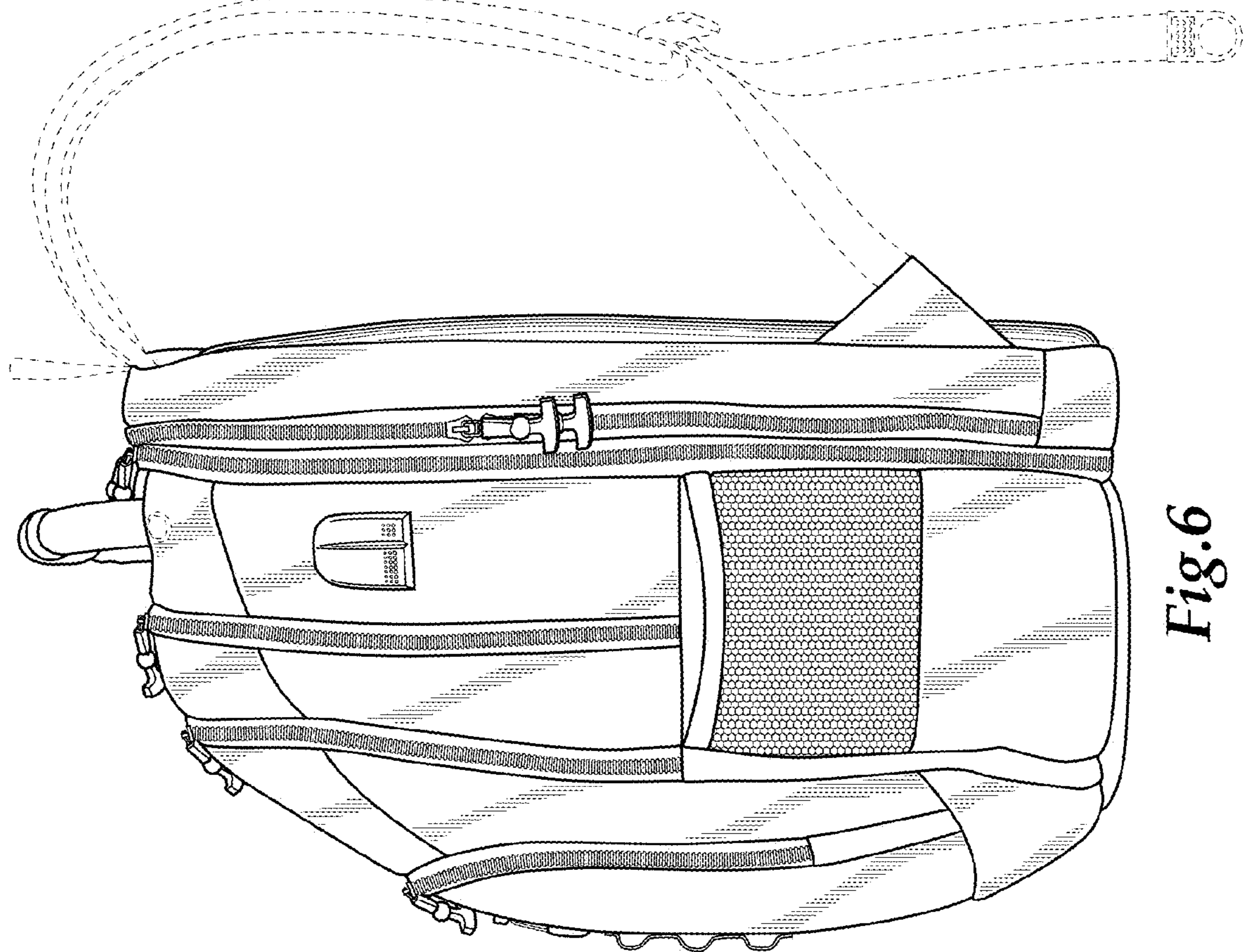


Fig. 6