



US00D890513S

(12) **United States Design Patent**  
**Cole et al.**

(10) **Patent No.:** **US D890,513 S**  
(45) **Date of Patent:** **\*\* Jul. 21, 2020**

- (54) **STORAGE CONTAINER FOR A KEYCHAIN**
- (71) Applicants: **Kevin Shawn Cole**, Bandy, VA (US);  
**Martha Jane Cole**, Bandy, VA (US)
- (72) Inventors: **Kevin Shawn Cole**, Bandy, VA (US);  
**Martha Jane Cole**, Bandy, VA (US)
- (\*\*) Term: **15 Years**
- (21) Appl. No.: **29/661,415**
- (22) Filed: **Aug. 28, 2018**
- (51) **LOC (12) Cl.** ..... **03-01**
- (52) **U.S. Cl.**  
USPC ..... **D3/208**
- (58) **Field of Classification Search**  
USPC ..... D3/208, 304, 306, 307, 312, 313, 314,  
D3/315; 211/51, 119, 181; 2/247  
See application file for complete search history.

(56) **References Cited**

**U.S. PATENT DOCUMENTS**

D117,705 S *	11/1939	Abrams	.....	D9/746
3,108,314 A *	10/1963	House	.....	B65D 47/42
3,643,672 A *	2/1972	Brown	.....	A45C 11/005
3,645,284 A *	2/1972	Krezanoski	.....	A45C 11/005
3,977,517 A *	8/1976	Kadlecik	.....	A45C 11/005
D261,988 S *	11/1981	Nichols	.....	D9/415
5,697,127 A *	12/1997	Tyler	.....	A45C 1/06
D404,342 S *	1/1999	Goerner	.....	D11/208
D406,396 S *	3/1999	Granwehr	.....	D28/76
D431,341 S *	9/2000	DiPaolo	.....	D3/208
D440,153 S *	4/2001	Lin	.....	D9/746

D442,363 S *	5/2001	Magid	.....	D3/208
6,244,430 B1 *	6/2001	Travis	.....	A44B 15/005
D450,446 S *	11/2001	Morrone	.....	D10/104.1
6,435,339 B1 *	8/2002	Kroupa	.....	A45C 11/005
D463,104 S *	9/2002	Ames	.....	D3/207
D474,084 S *	5/2003	Yip	.....	D8/40
D497,718 S *	11/2004	Taccolini	.....	D3/273
D616,198 S *	5/2010	Liu	.....	D3/263
D766,431 S *	9/2016	Pecherer	.....	D24/138
D801,403 S *	10/2017	Henry	.....	D16/200
D806,178 S *	12/2017	Chow	.....	D21/475
D859,203 S *	9/2019	Thurswell	.....	D11/80
2003/0119416 A1 *	6/2003	Esterle	.....	A63H 31/00
2017/0258188 A1 *	9/2017	Luo	.....	A45B 25/28

\* cited by examiner

*Primary Examiner* — Kevin K Rudzinski  
*Assistant Examiner* — Amber J Rabie

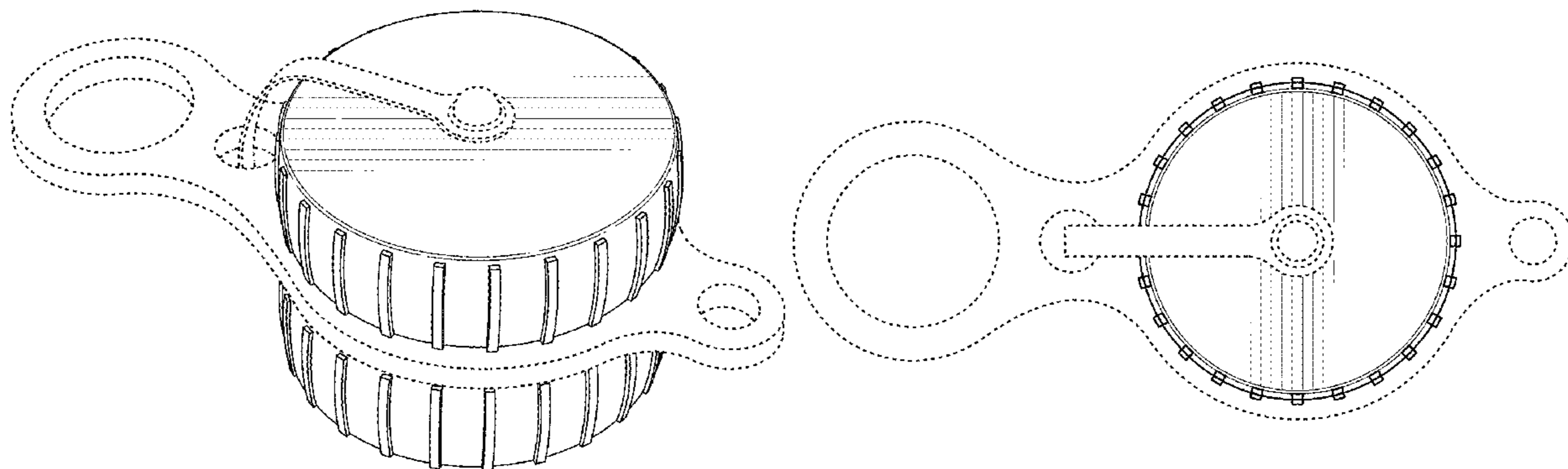
(57) **CLAIM**

The ornamental design for a storage container for a key-chain, as shown and described.

**DESCRIPTION**

FIG. 1 is a perspective view of the storage container for a keychain showing my new design; FIG. 2 is a right side view thereof; FIG. 3 is a left side view thereof; FIG. 4 is a rear elevation view thereof; FIG. 5 is a front elevation view thereof; FIG. 6 is a top plan view thereof; and, FIG. 7 is a bottom plan view thereof. Broken lines are included for depicting environmental subject matter and form no part of the claimed design.

**1 Claim, 4 Drawing Sheets**



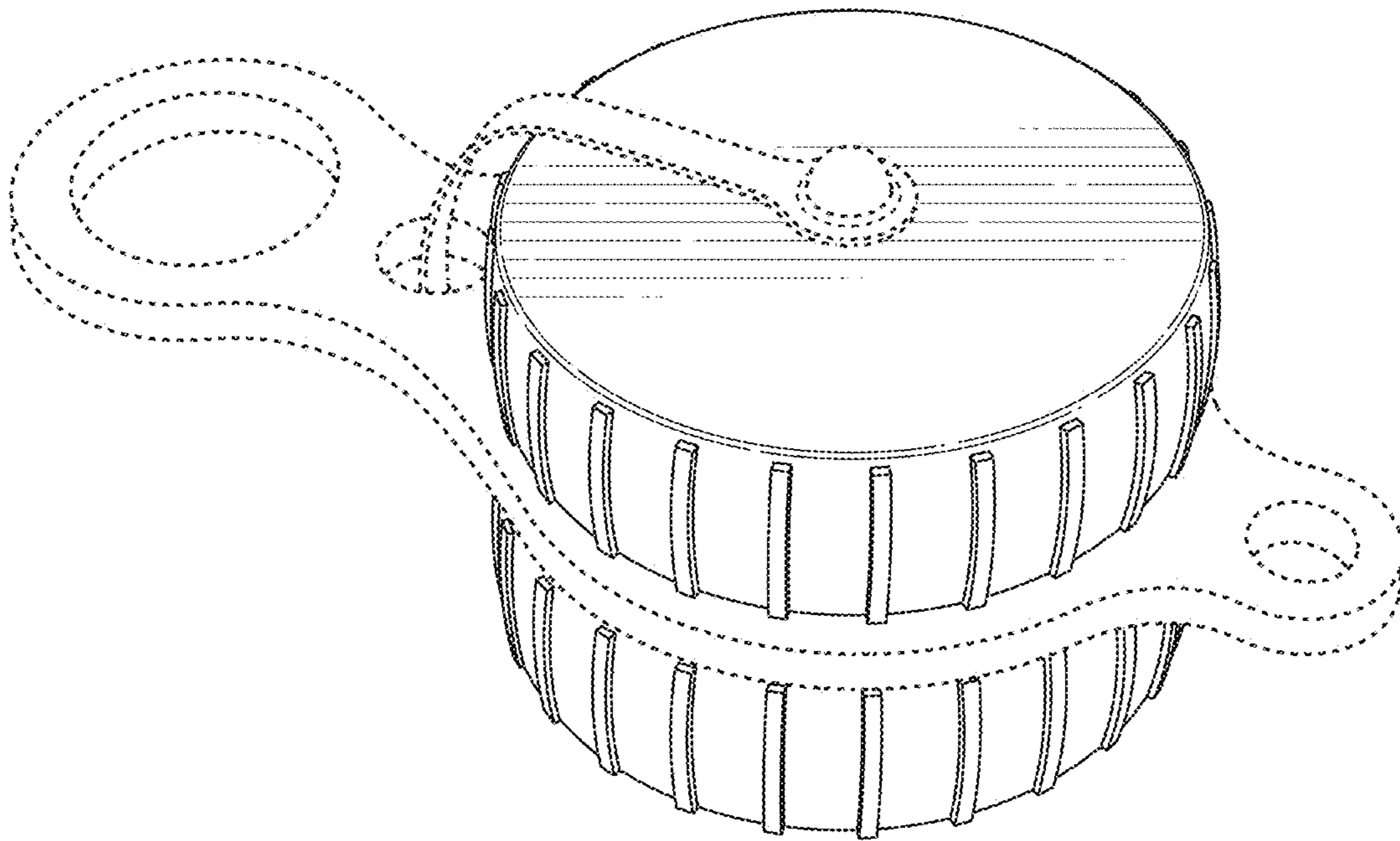


FIG. 1

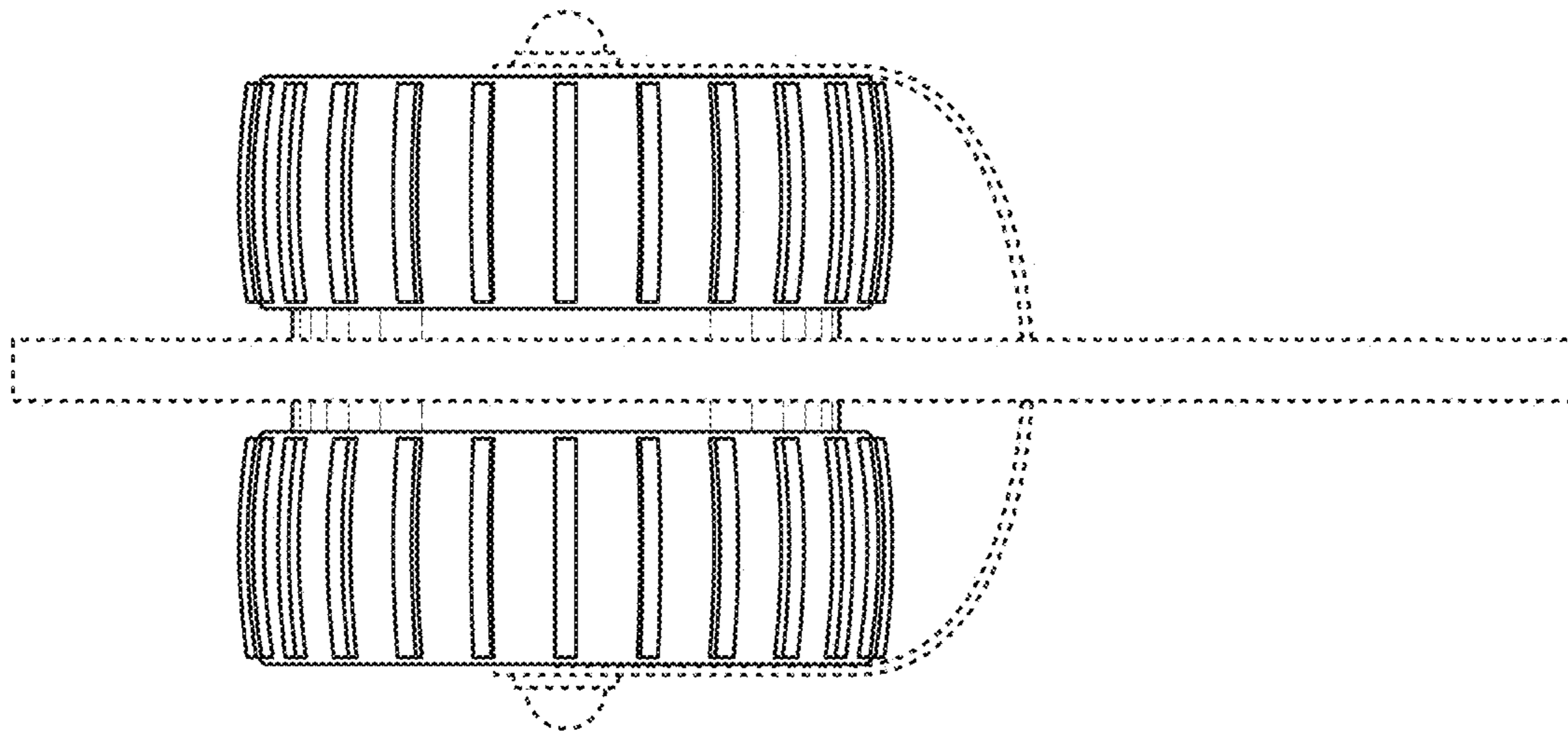


FIG. 2

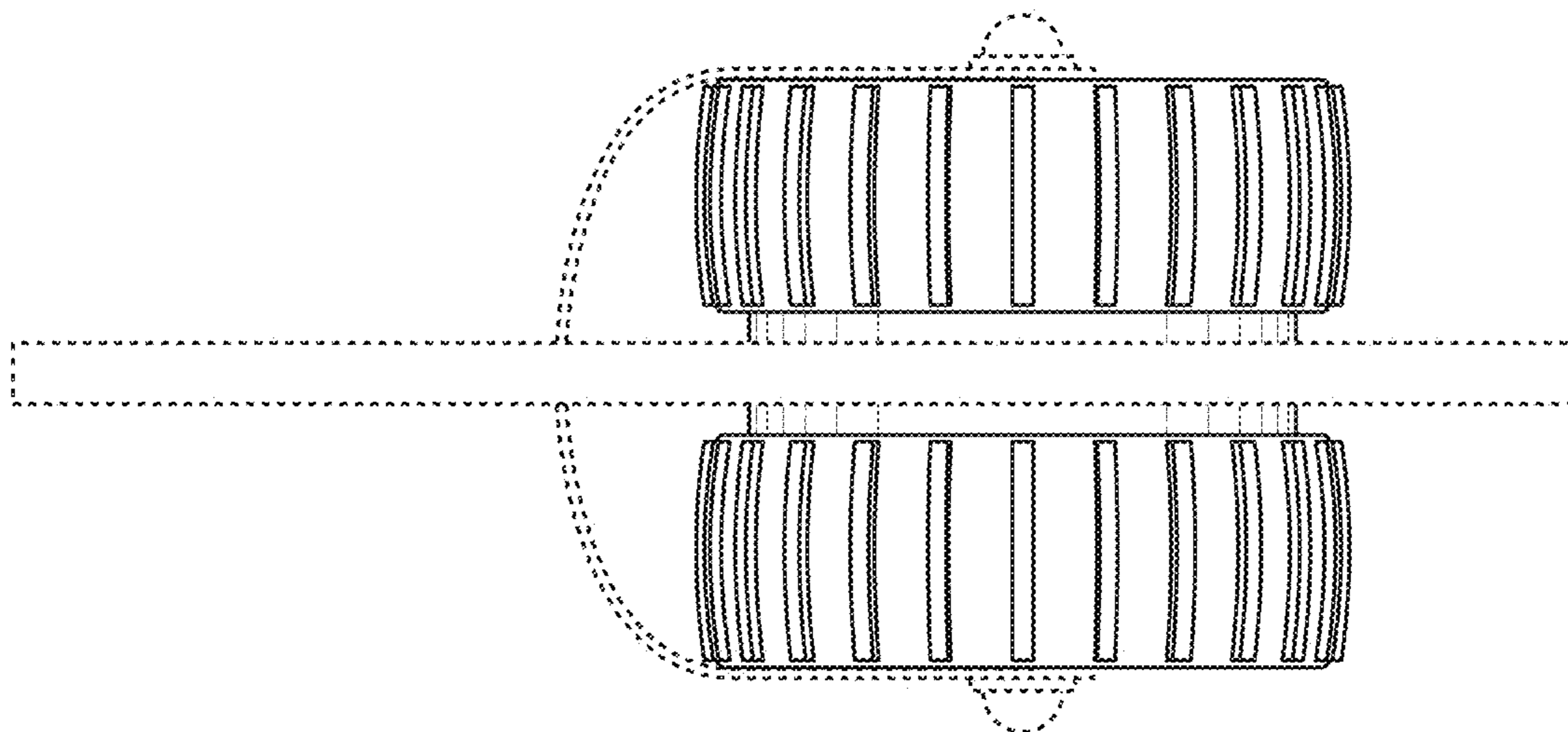
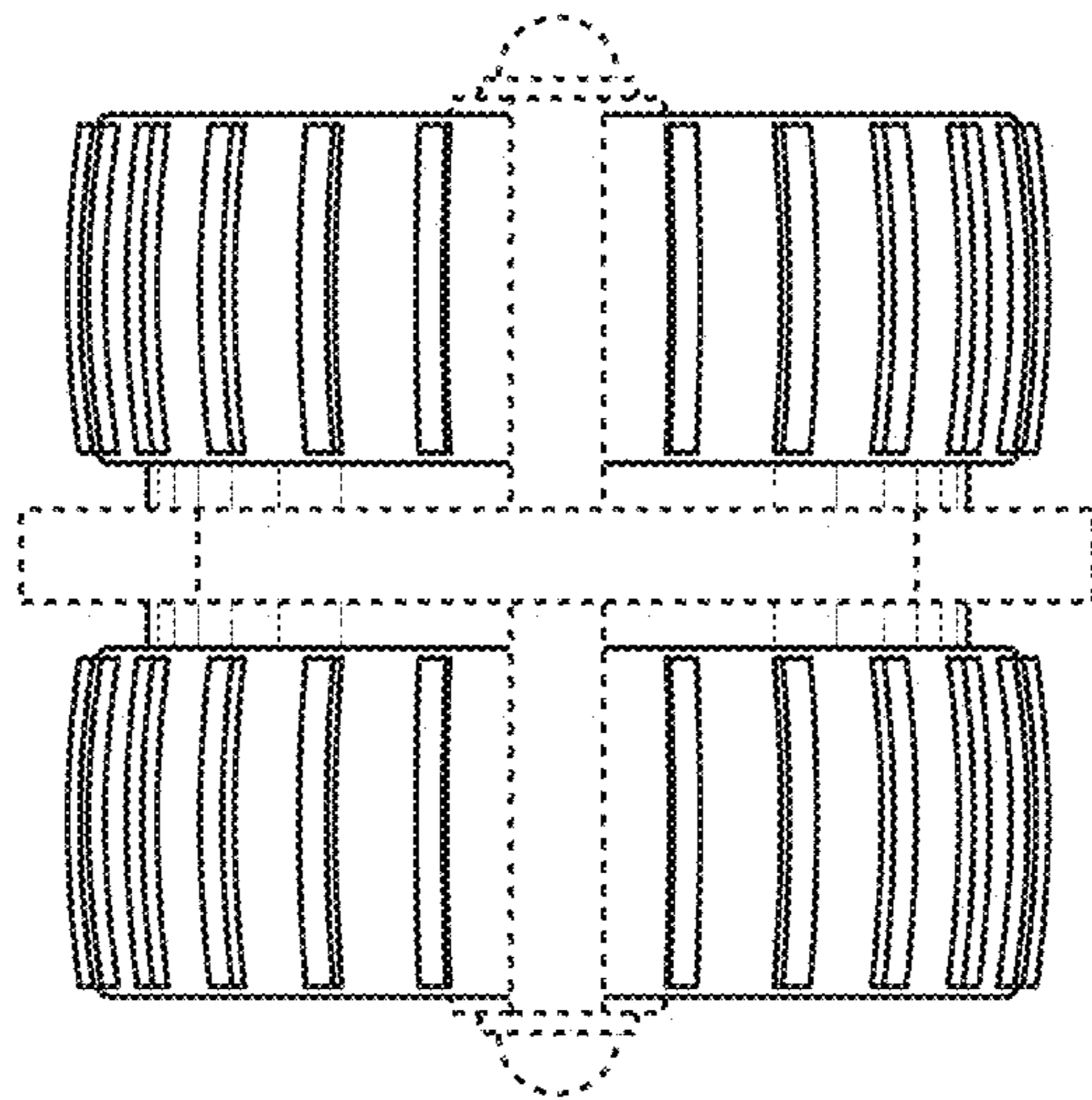
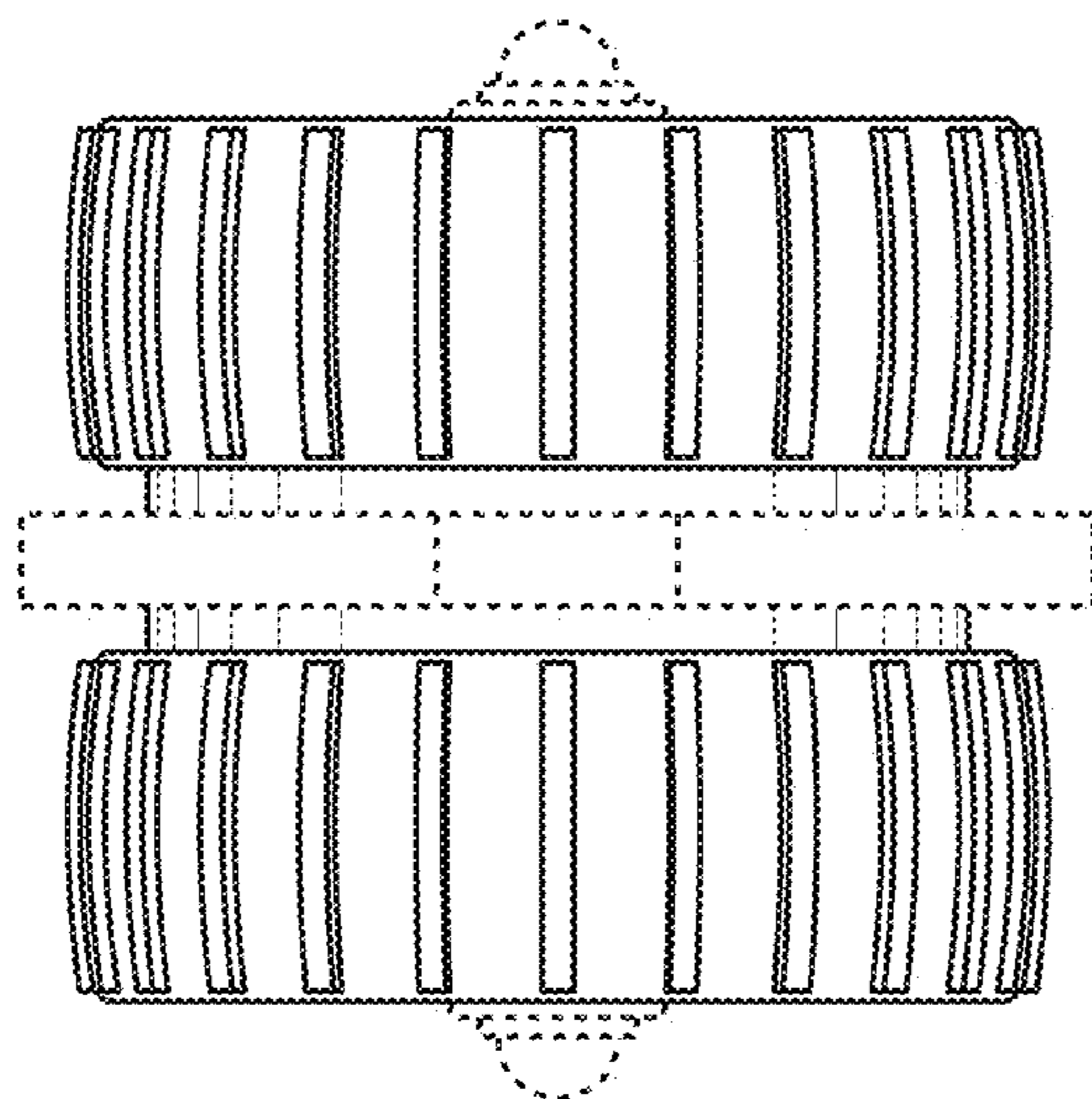


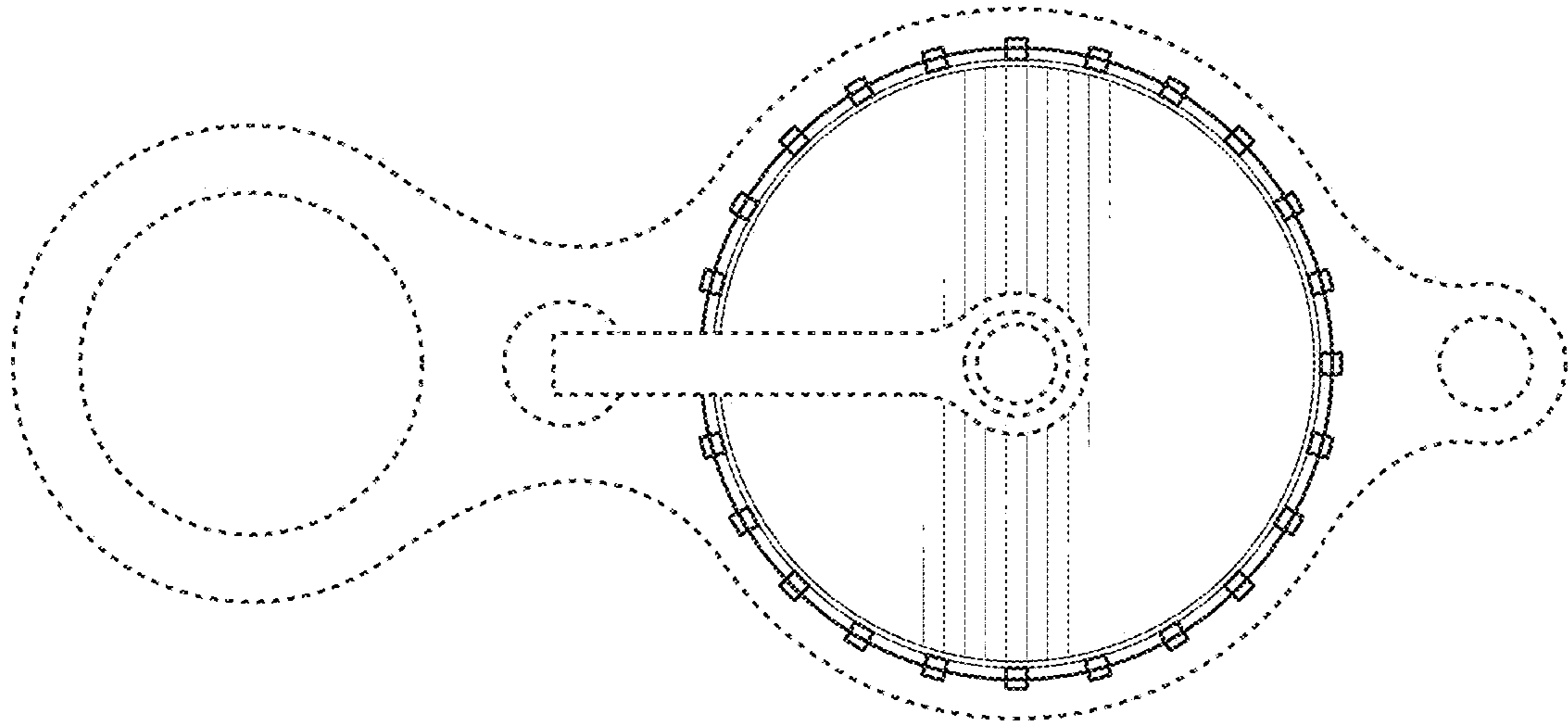
FIG. 3



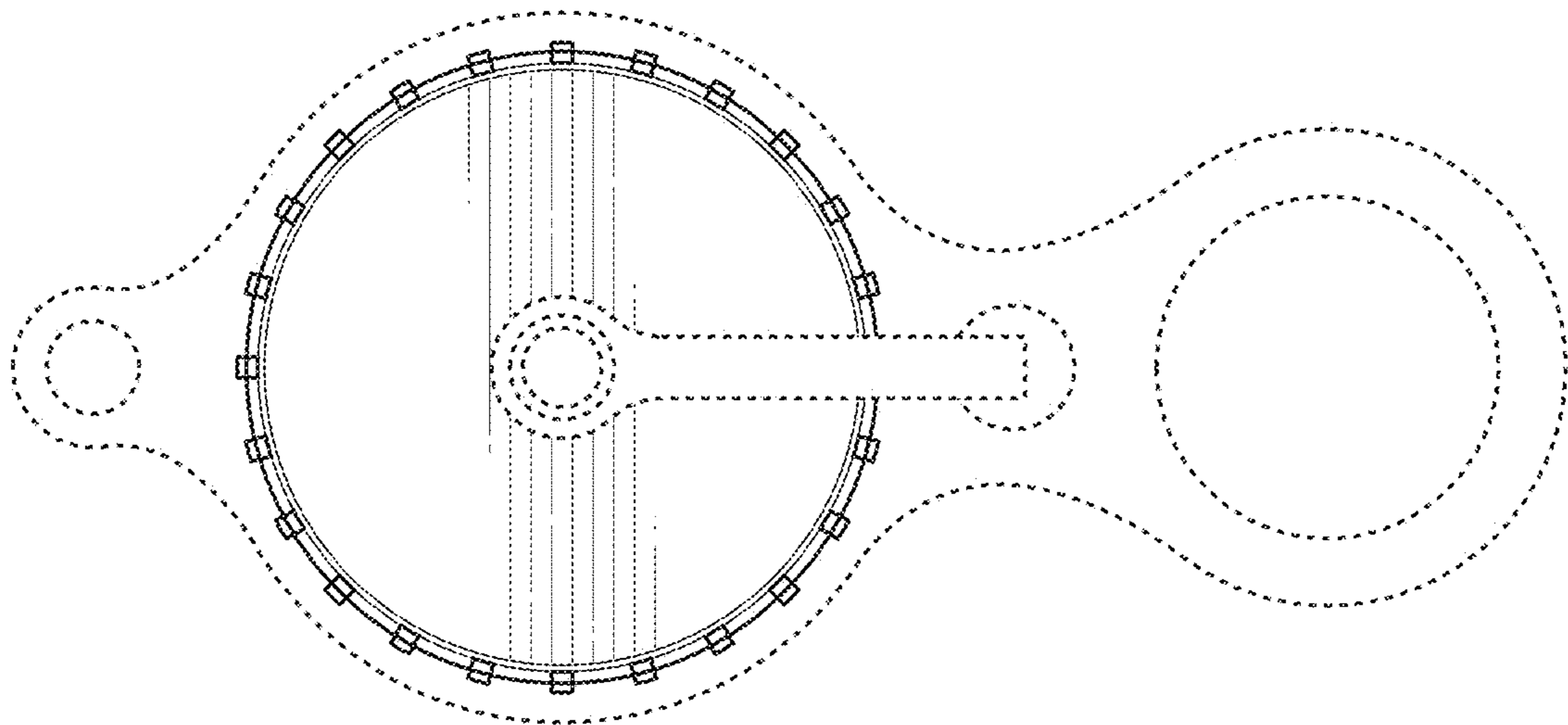
**FIG. 4**



**FIG. 5**



**FIG. 6**



**FIG. 7**