



US00D890512S

(12) **United States Design Patent** (10) **Patent No.:** **US D890,512 S**  
**Tille** (45) **Date of Patent:** **\*\* Jul. 21, 2020**

(54) **PILL DISPENSER**

2543/00074; B65D 2543/00083; B65D  
2543/00092; B65D 2543/00101; B65D  
2543/00111; Y10T 29/49826

(71) Applicant: **AARDEX Group**, Seraing (BE)

See application file for complete search history.

(72) Inventor: **Nicolas Tille**, Savièse (CH)

(\*\*) Term: **15 Years**

(56) **References Cited**

(21) Appl. No.: **35/506,780**

U.S. PATENT DOCUMENTS

(22) Filed: **Feb. 6, 2019**

D217,337 S \* 4/1970 Daw ..... B65D 83/0472  
D9/732

(80) **Hague Agreement Data**

Int. Filing Date: **Feb. 6, 2019**

Int. Reg. No.: **DM/201039**

Int. Reg. Date: **Feb. 6, 2019**

Int. Reg. Pub. Date: **May 24, 2019**

D524,167 S \* 7/2006 Wilson ..... B65D 83/04  
D9/730

(51) **LOC (12) Cl.** ..... **03-01**

(52) **U.S. Cl.**

USPC ..... **D3/203.2**; D9/730; D9/732

(58) **Field of Classification Search**

USPC ..... D9/434, 436, 447, 499, 730-736;  
D3/203.1-203.8; D24/224, 227, 229-231

CPC ..... B21D 51/26; B21D 51/383; B29C 66/71;

B65D 1/00; B65D 1/02; B65D 1/12;

B65D 1/14; B65D 1/40; B65D 1/44;

B65D 1/023; B65D 1/0223; B65D 1/165;

B65D 1/238; B65D 1/246; B65D 1/253;

B65D 7/04; B65D 21/0209; B65D

21/0233; B65D 25/00; B65D 25/28;

B65D 41/0457; B65D 41/17; B65D

53/06; B65D 75/56; B65D 79/005; B65D

2501/0036; B65D 2543/00064; B65D

D626,327 S \* 11/2010 Wolff ..... D3/203.7  
D686,340 S \* 7/2013 Smith ..... D24/225  
D871,055 S \* 12/2019 Fornarelli ..... D3/203.3  
2011/0215022 A1 \* 9/2011 Sack ..... B65D 83/04  
206/531  
2019/0076333 A1 \* 3/2019 Moore ..... B65D 83/0472

\* cited by examiner

*Primary Examiner* — Keli L Hill

(57) **CLAIM**

The ornamental design for pill dispenser, as shown and described.

**DESCRIPTION**

1. Pill dispenser

1.1 is a front elevation view.

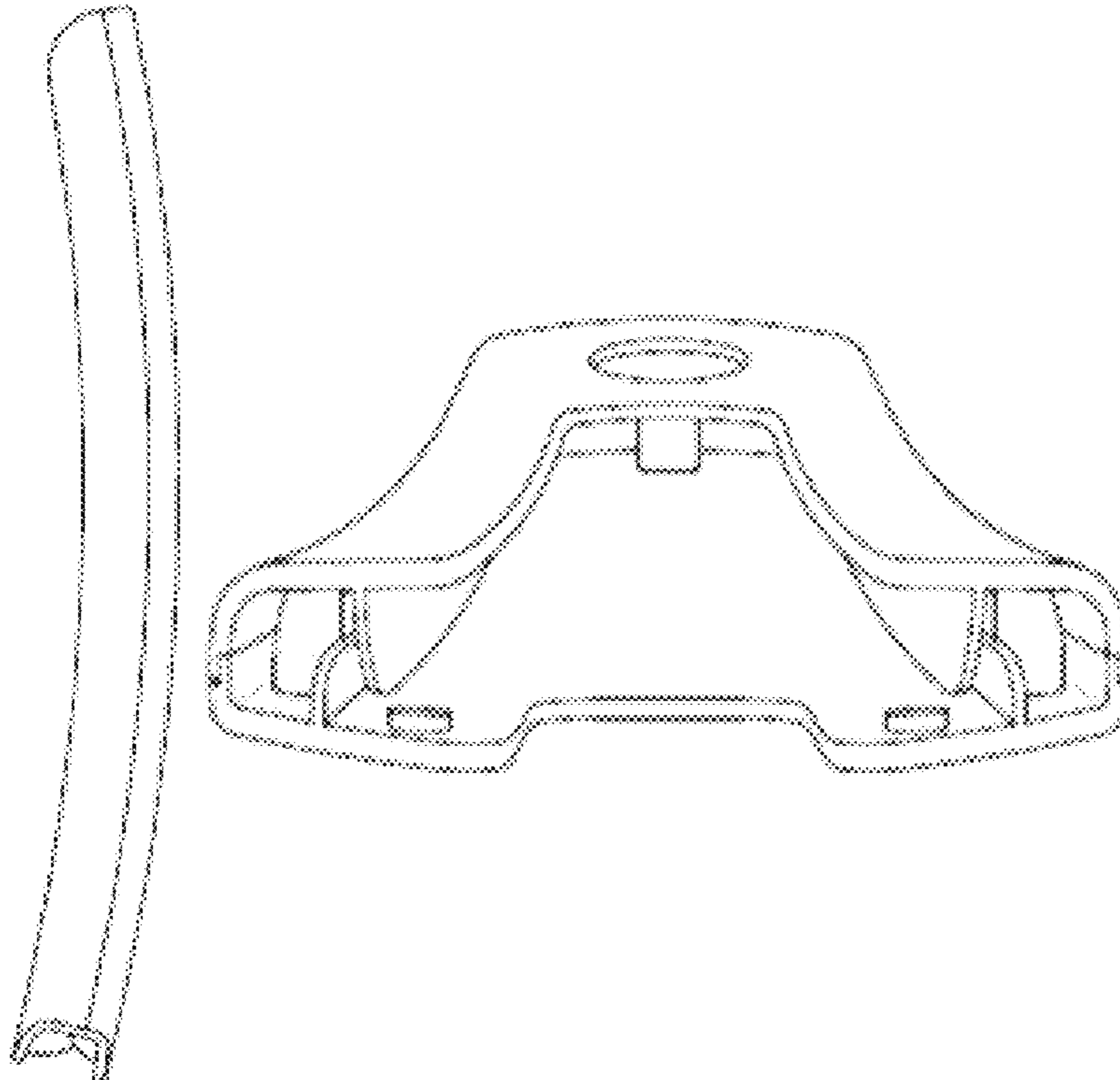
1.2 is a rear elevation view.

1.3 is a left side elevation view.

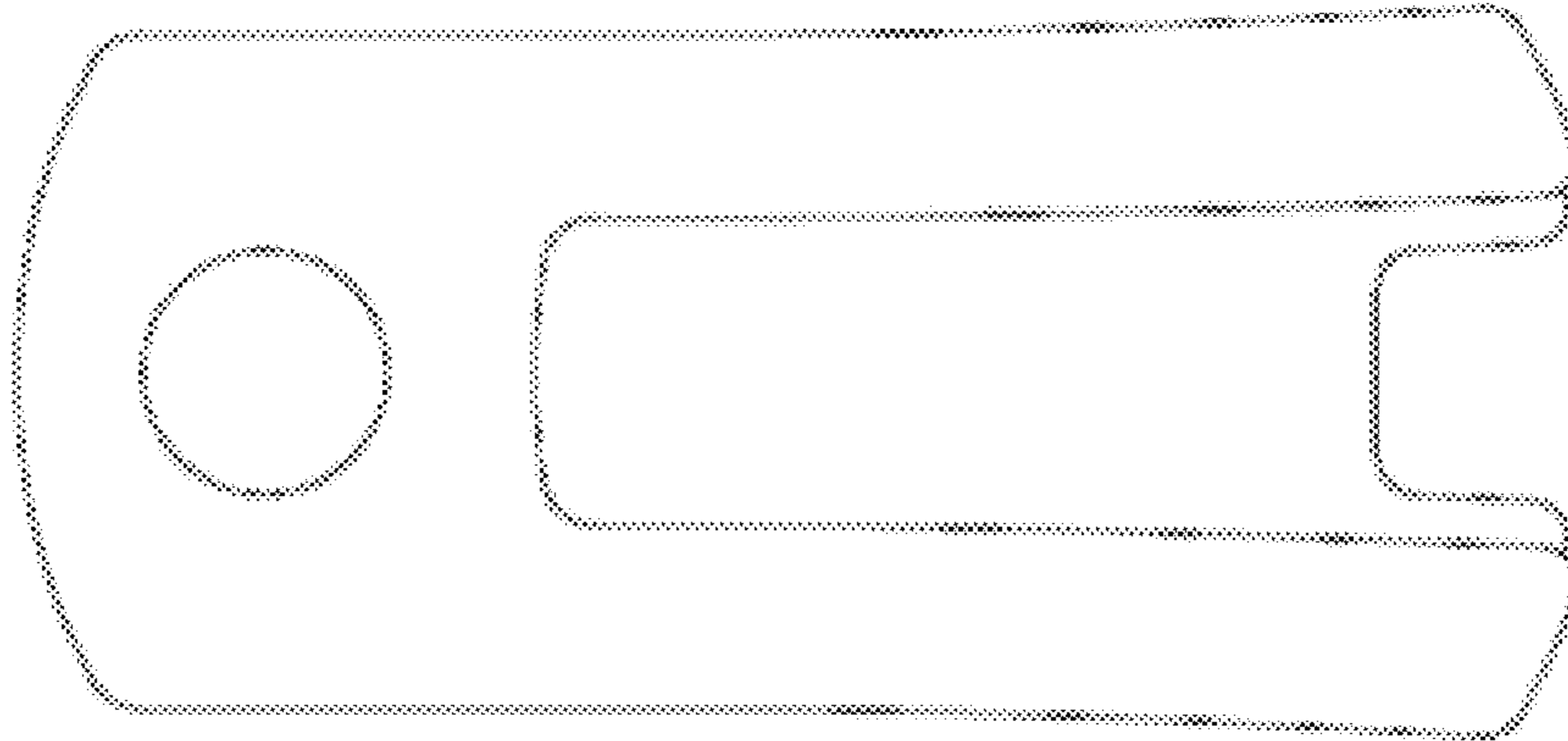
1.4 is a top plan view.

1.5 is a bottom plan view.

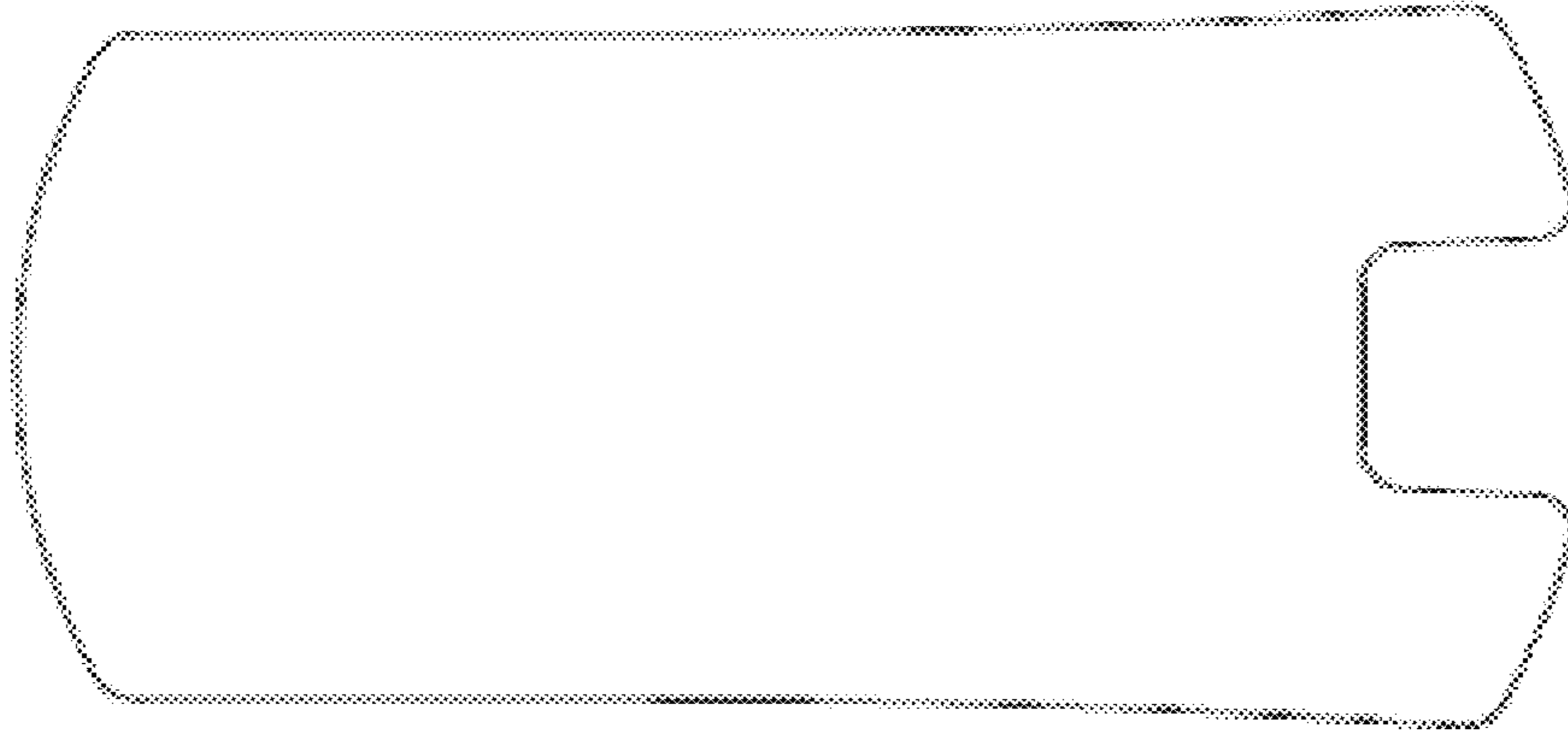
**1 Claim, 5 Drawing Sheets**



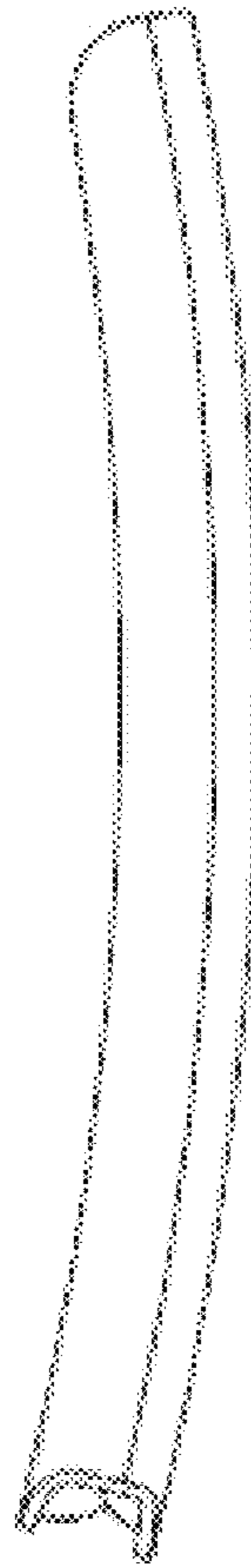
**1.1**



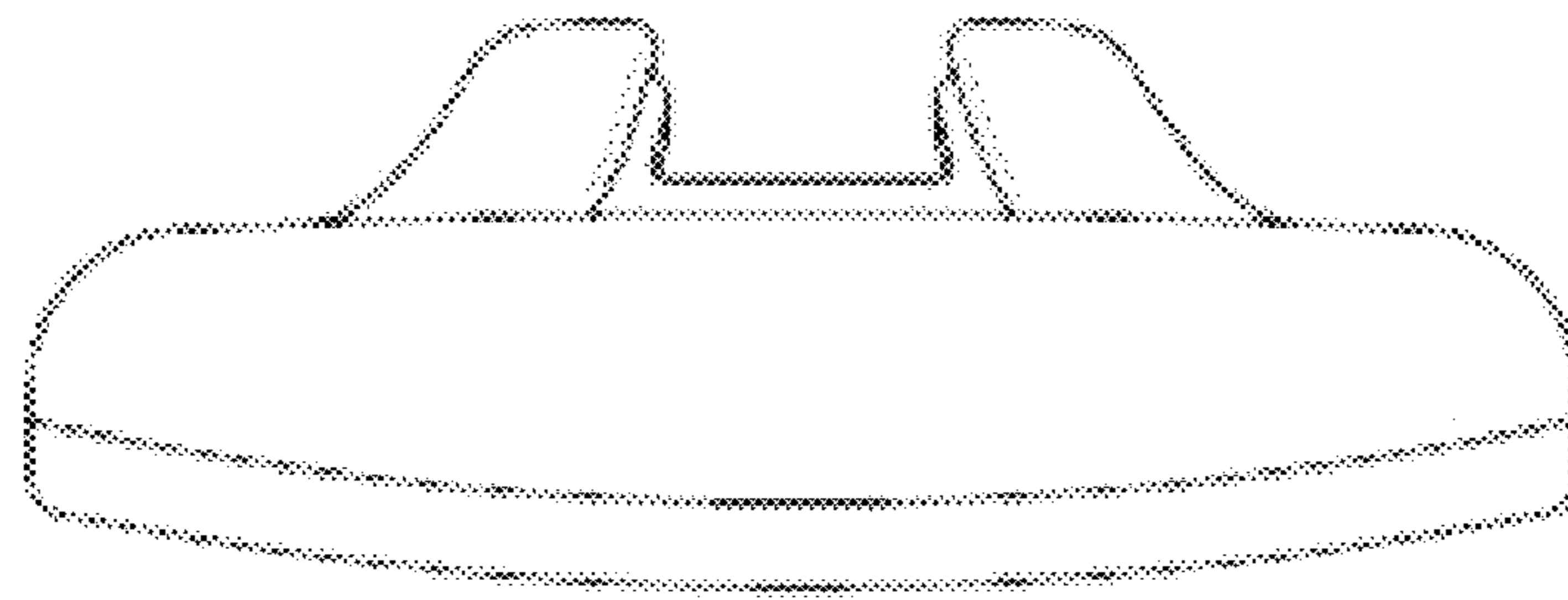
**1.2**



**1.3**



**1.4**



**1.5**

