



US00D890511S

(12) **United States Design Patent**
Dericco

(10) **Patent No.:** **US D890,511 S**

(45) **Date of Patent:** **** Jul. 21, 2020**

(54) **CONTAINER FOR DENTAL ACCESSORIES**

(71) Applicant: **Salvatore P. Dericco**, W. Harrison, NY
(US)

(72) Inventor: **Salvatore P. Dericco**, W. Harrison, NY
(US)

(**) Term: **15 Years**

(21) Appl. No.: **29/646,653**

(22) Filed: **May 7, 2018**

(51) **LOC (12) Cl.** **03-01**

(52) **U.S. Cl.**
USPC **D3/203.1**

(58) **Field of Classification Search**
USPC D3/201, 203.1, 203.2, 203.5, 203.6, 204,
D3/205, 254, 269, 273, 294; D9/414,
D9/420, 426; D24/176, 221
CPC B65D 85/187; B65D 21/086; B65D 25/04;
B65D 53/00; B65D 25/102; B65D 43/02;
B65D 25/10; B65D 43/16; A45C
2011/007; A45C 11/008; A45C 11/24;
A45C 13/002; A61J 1/00
See application file for complete search history.

(56) **References Cited**

U.S. PATENT DOCUMENTS

D257,790 S *	1/1981	Kesling	D24/227
D276,272 S *	11/1984	Weissenburger	D24/176
D286,137 S *	10/1986	Huck	D3/203.3
D307,388 S *	4/1990	Newell	D3/203.2
4,966,319 A *	10/1990	Fleming	A45C 11/00 206/459.5
D322,031 S *	12/1991	Fleming	D3/294
D353,744 S *	12/1994	Ferris	D7/629
D400,011 S *	10/1998	Palmer	D3/294
D427,425 S *	7/2000	Stahl	D3/203.1
D427,686 S *	7/2000	Butler	D3/203.1
D443,981 S *	6/2001	DiVincenzo	D3/205

D463,101 S *	9/2002	Gardner	D3/203.2
D496,154 S *	9/2004	Herman	D3/203.1
D502,807 S *	3/2005	Jaron	D3/273
D503,831 S *	4/2005	Ames	D28/78
D506,611 S *	6/2005	Hiller	D3/281
D516,725 S *	3/2006	Barnes	D24/227
D540,038 S *	4/2007	Hussaini	D3/201
7,201,271 B1 *	4/2007	Saad	A45C 11/00 132/315
D570,098 S *	6/2008	Luzon	D3/205
D585,639 S *	2/2009	Taninbaum	D3/204
D619,351 S *	7/2010	Verma	D3/203.3
D656,308 S *	3/2012	Sham	D3/203.1

(Continued)

Primary Examiner — Steven J Czyz

(74) *Attorney, Agent, or Firm* — Maier & Maier, PLLC

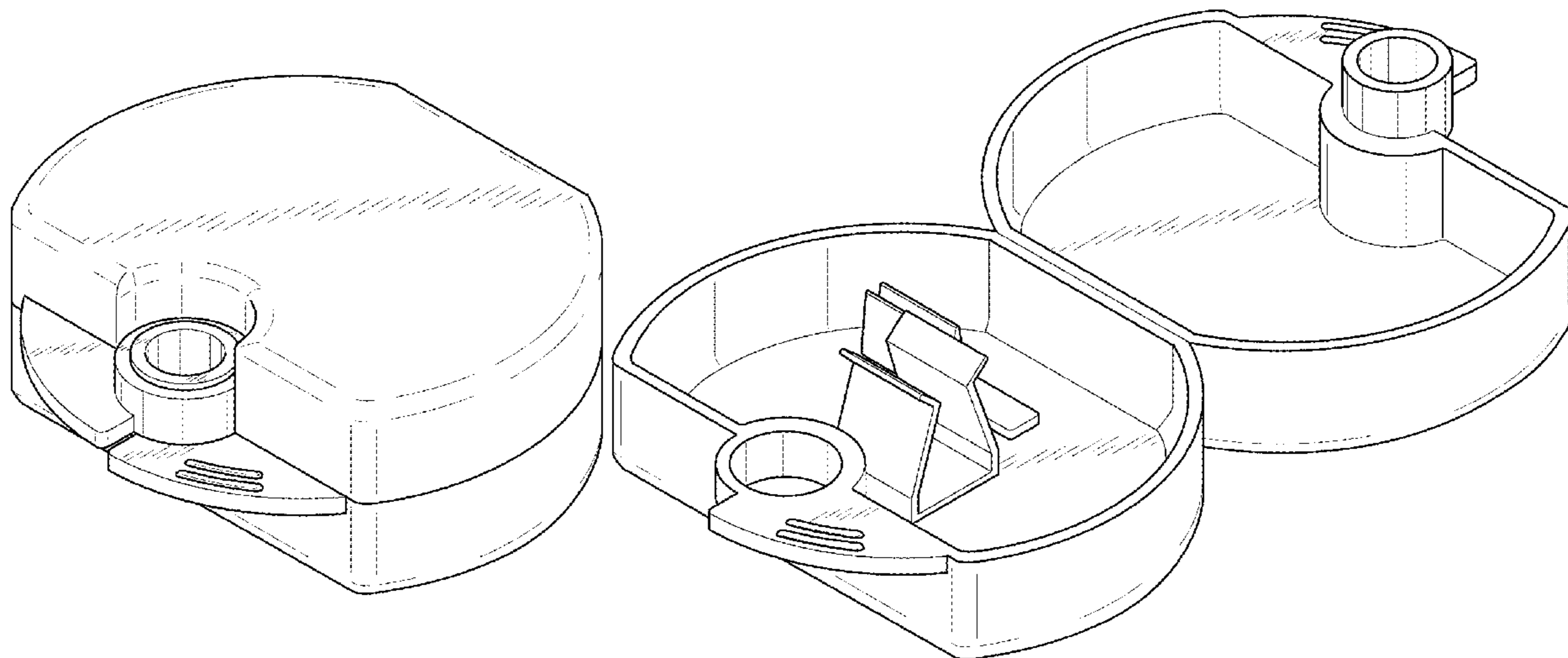
(57) **CLAIM**

The ornamental design for a container for dental accessories, as shown and described.

DESCRIPTION

FIG. 1 is a top-front-right isometric view of a container for dental accessories in a closed configuration;
 FIG. 2 is a top plan view thereof;
 FIG. 3 is a bottom plan view thereof;
 FIG. 4 is a front elevational view thereof;
 FIG. 5 is a right side elevational view thereof;
 FIG. 6 is a rear elevational view thereof;
 FIG. 7 is a left side elevational view thereof;
 FIG. 8 is a left side elevational view thereof in an open configuration;
 FIG. 9 is a top-front-right isometric view thereof in an open configuration;
 FIG. 10 is a top plan view thereof in an open configuration;
 FIG. 11 is an enlarged top-front-right isometric view of the retaining members of the container for dental accessories; and,
 FIG. 12 is an enlarged top-rear-left view thereof.

1 Claim, 7 Drawing Sheets



(56)

References Cited

U.S. PATENT DOCUMENTS

D663,946 S	*	7/2012	Powers	D3/203.1
D697,302 S	*	1/2014	Pourcho	D3/203.1
D716,951 S	*	11/2014	Farrell	D24/176
D744,744 S	*	12/2015	Lee	D3/205
D774,904 S	*	12/2016	Elston	D3/201
D828,026 S	*	9/2018	Cavazos, III	D3/269

* cited by examiner

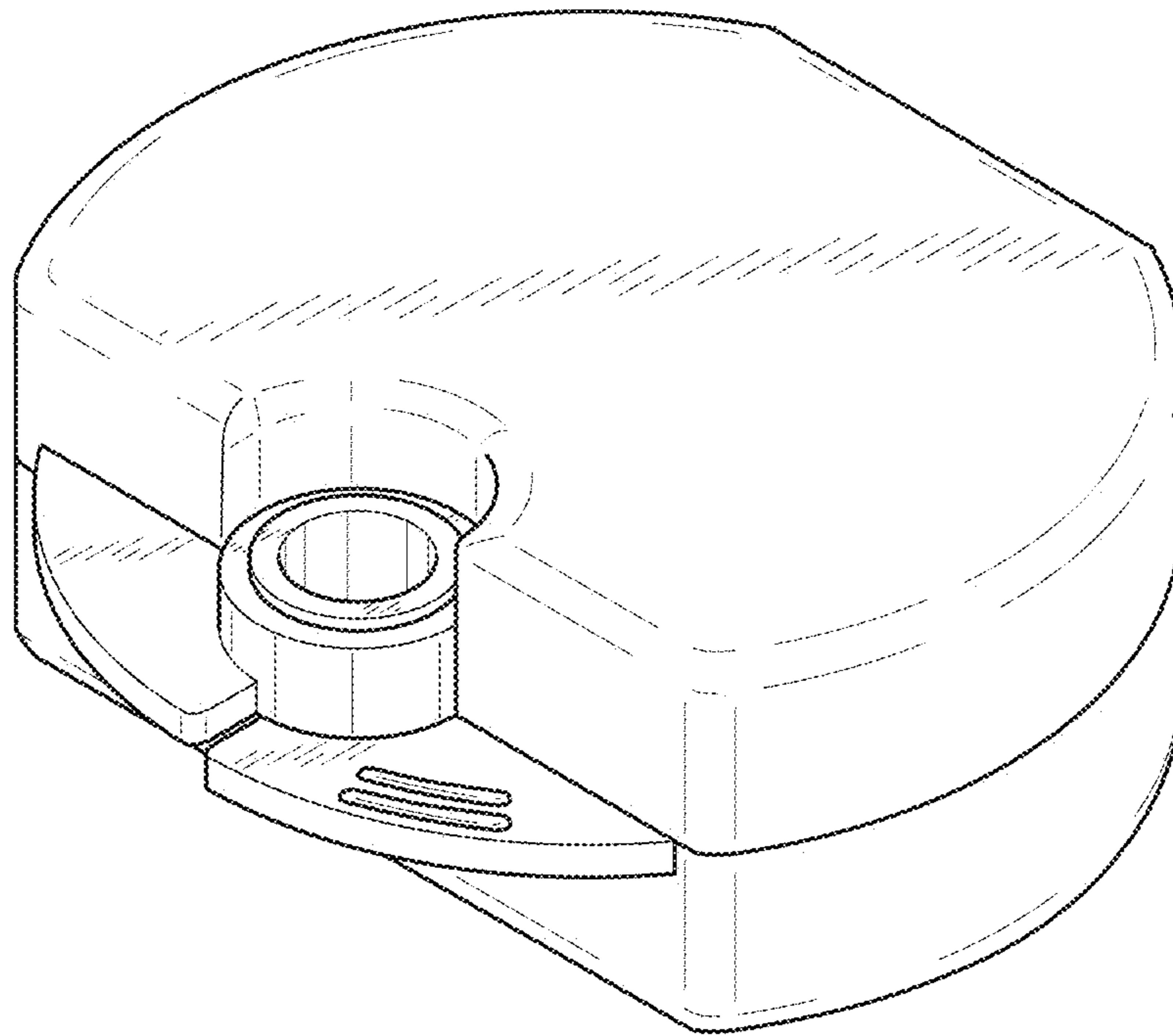


Fig. 1

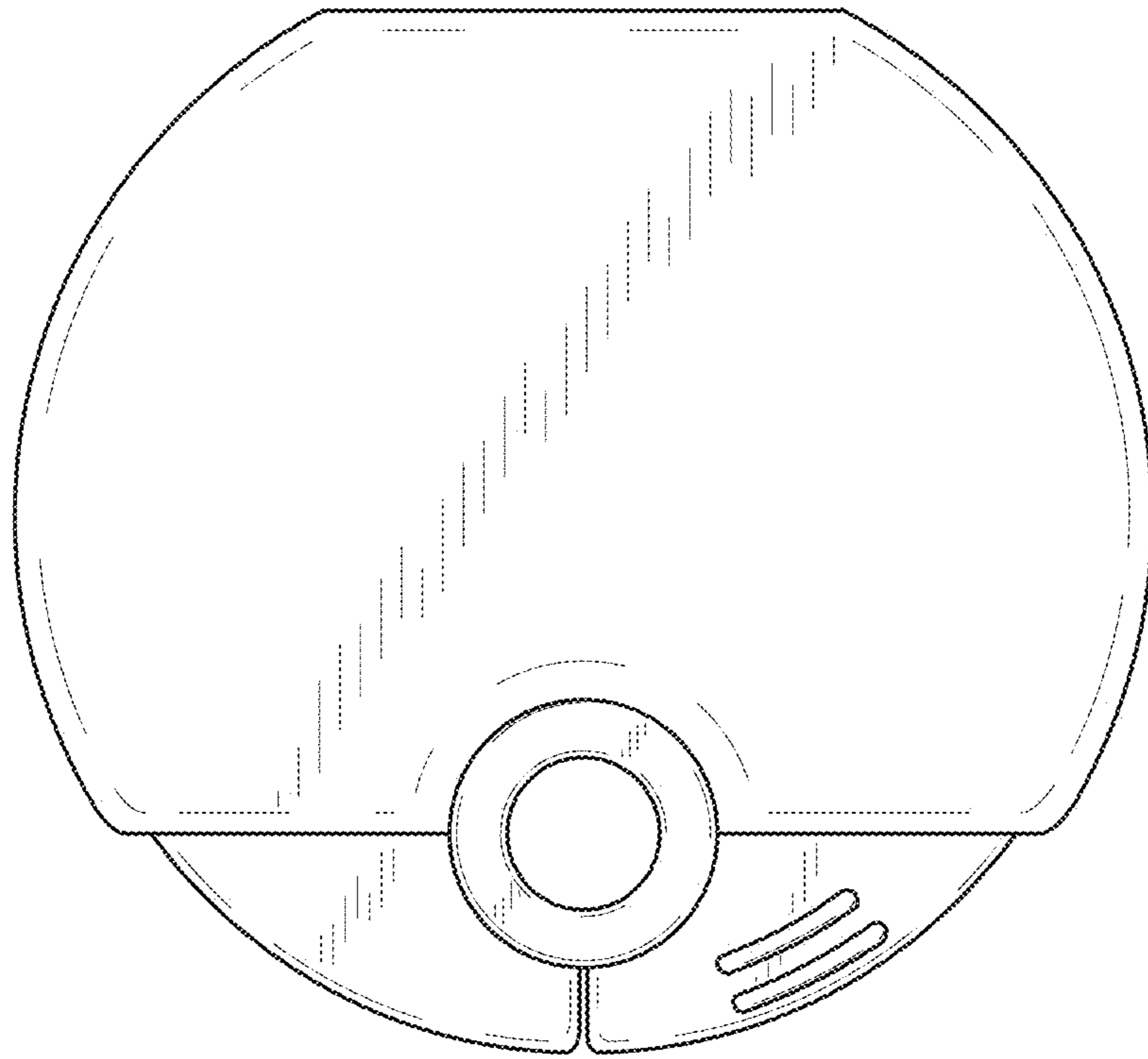


Fig. 2

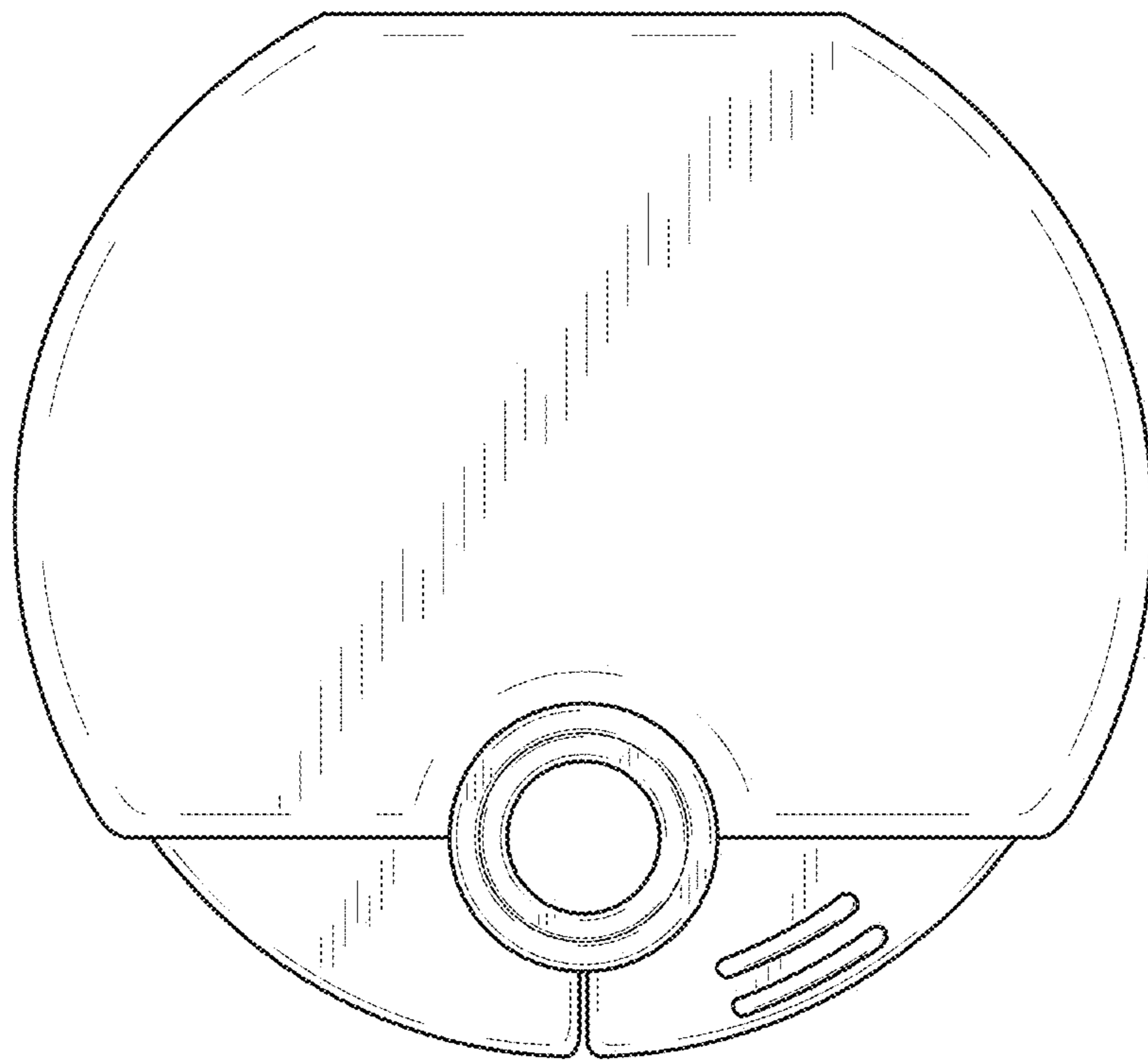


Fig. 3

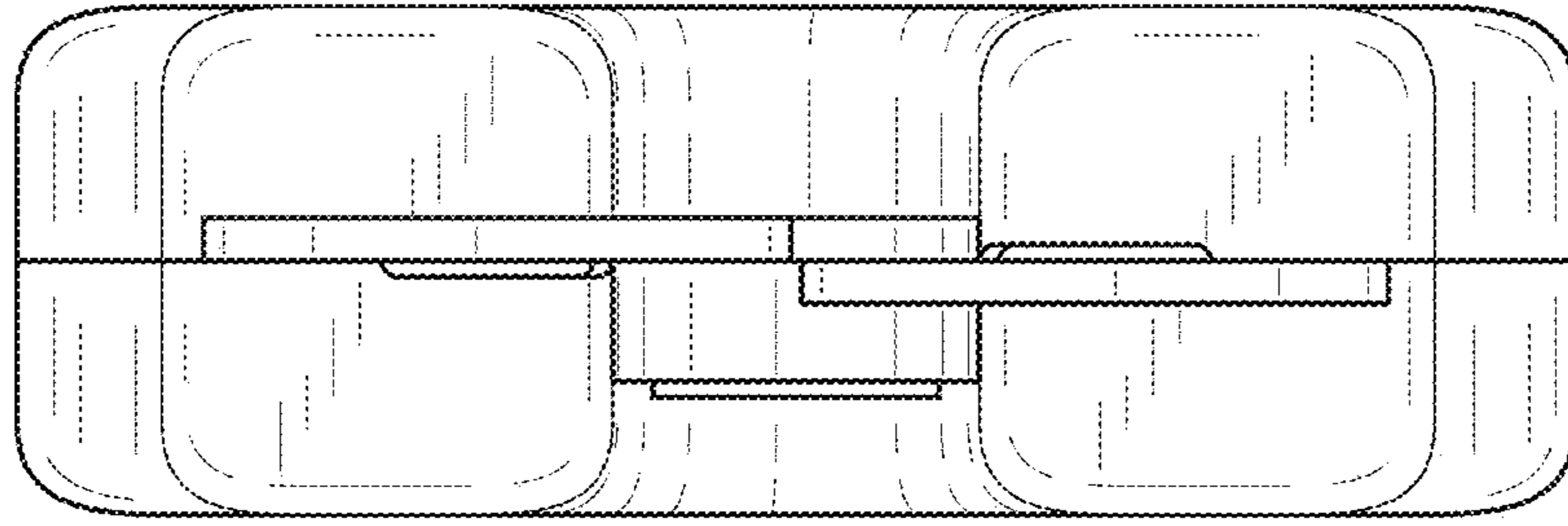


Fig. 4

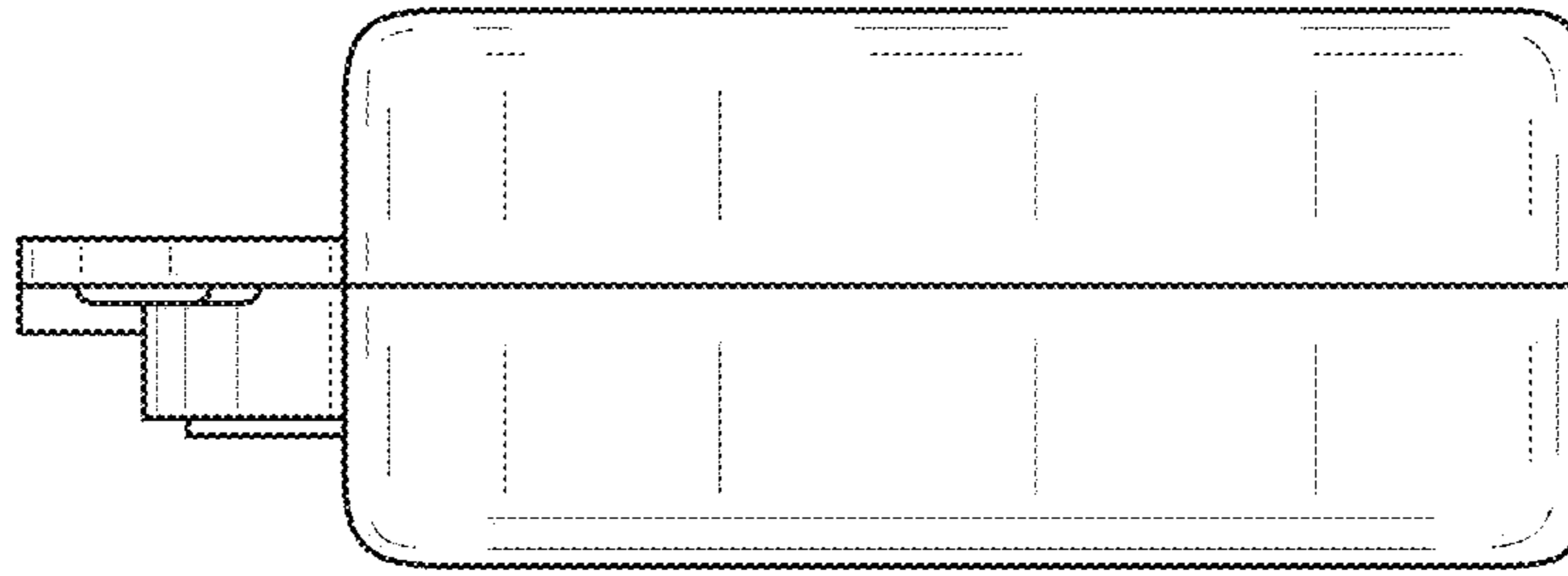


Fig. 5

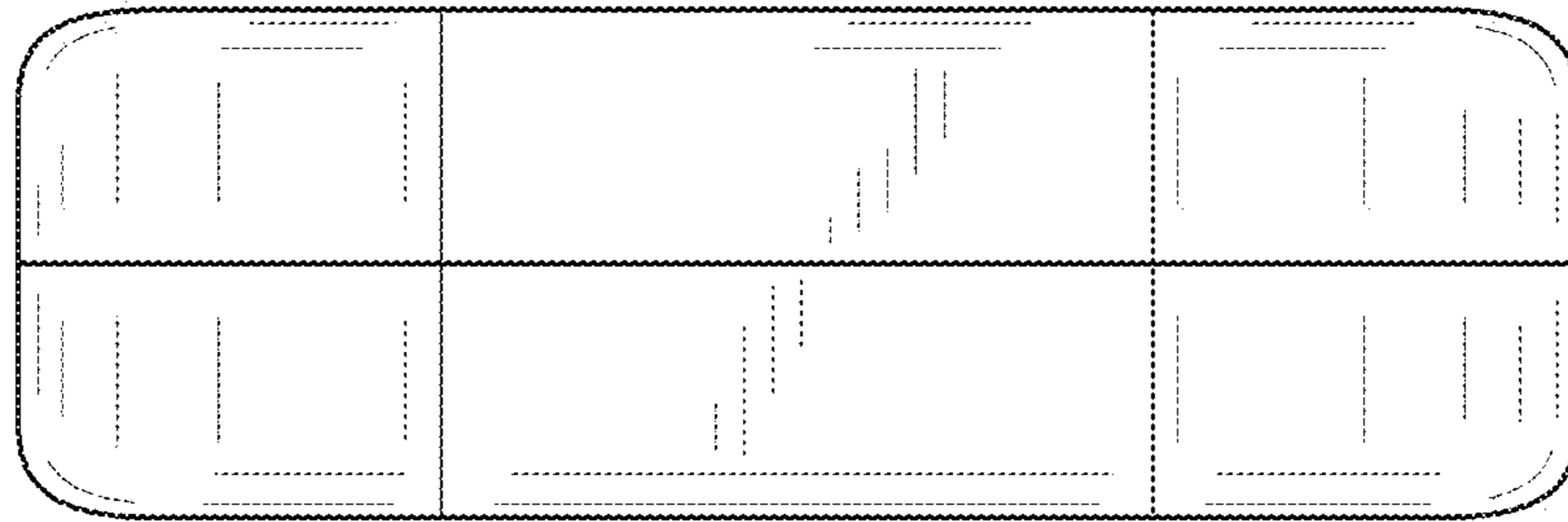


Fig. 6

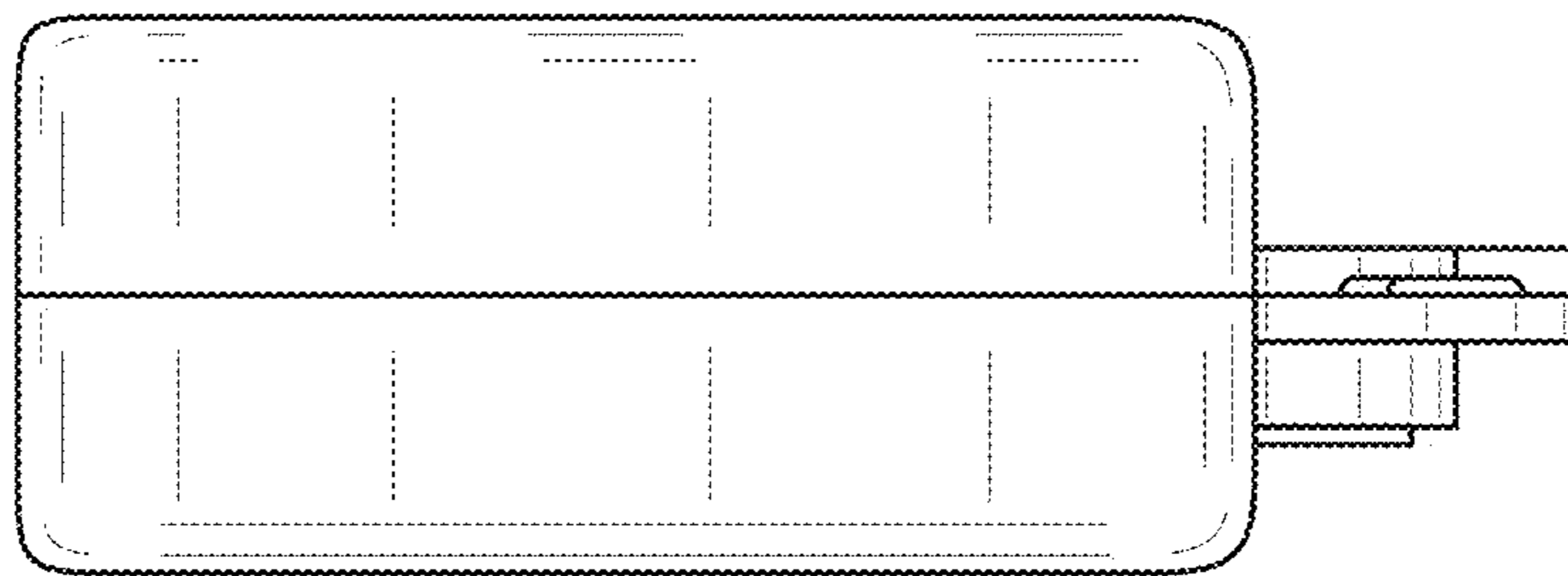


Fig. 7

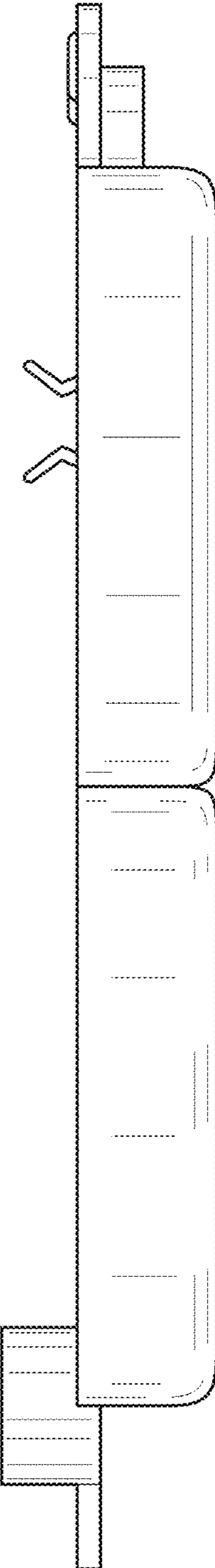


Fig. 8

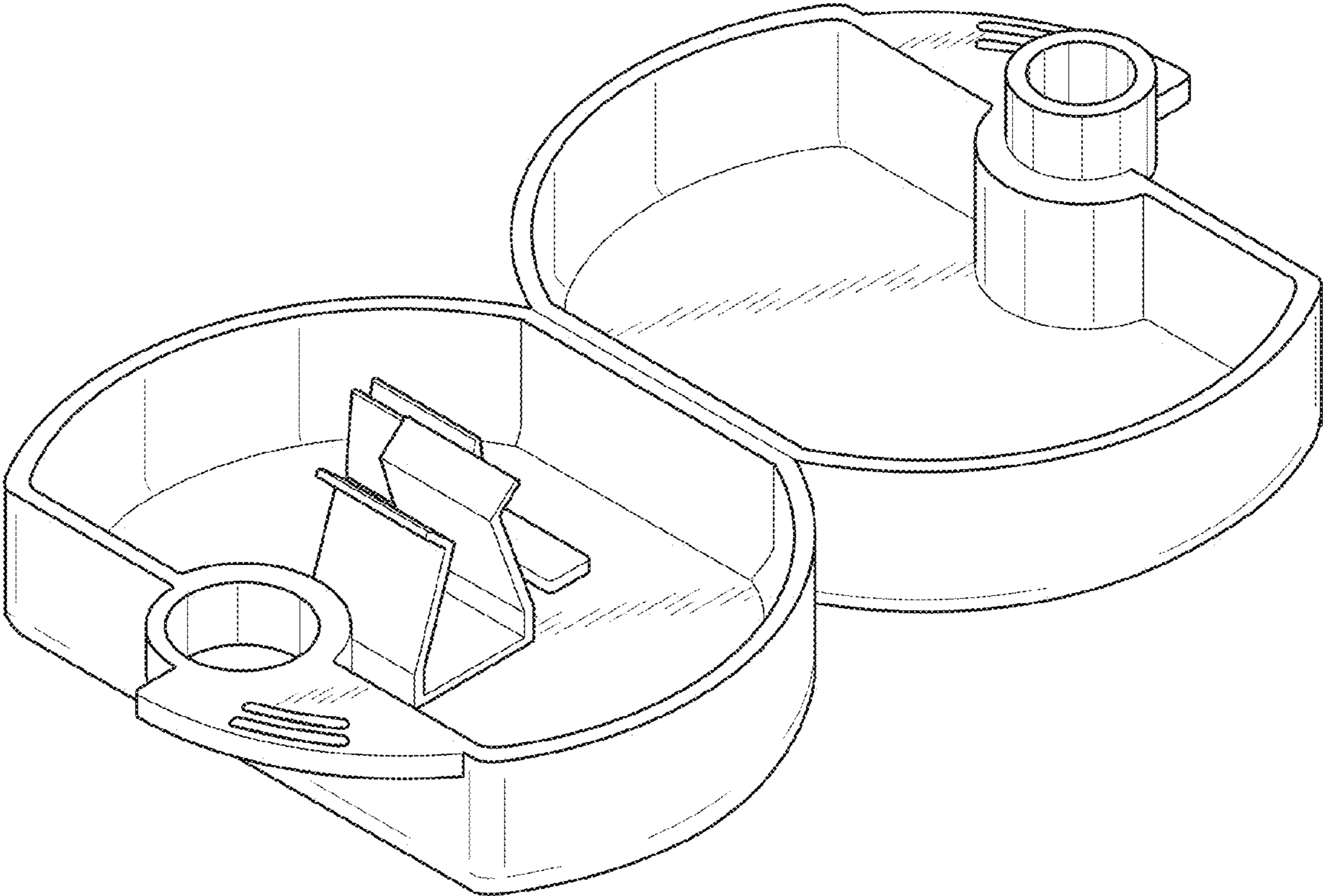


Fig. 9

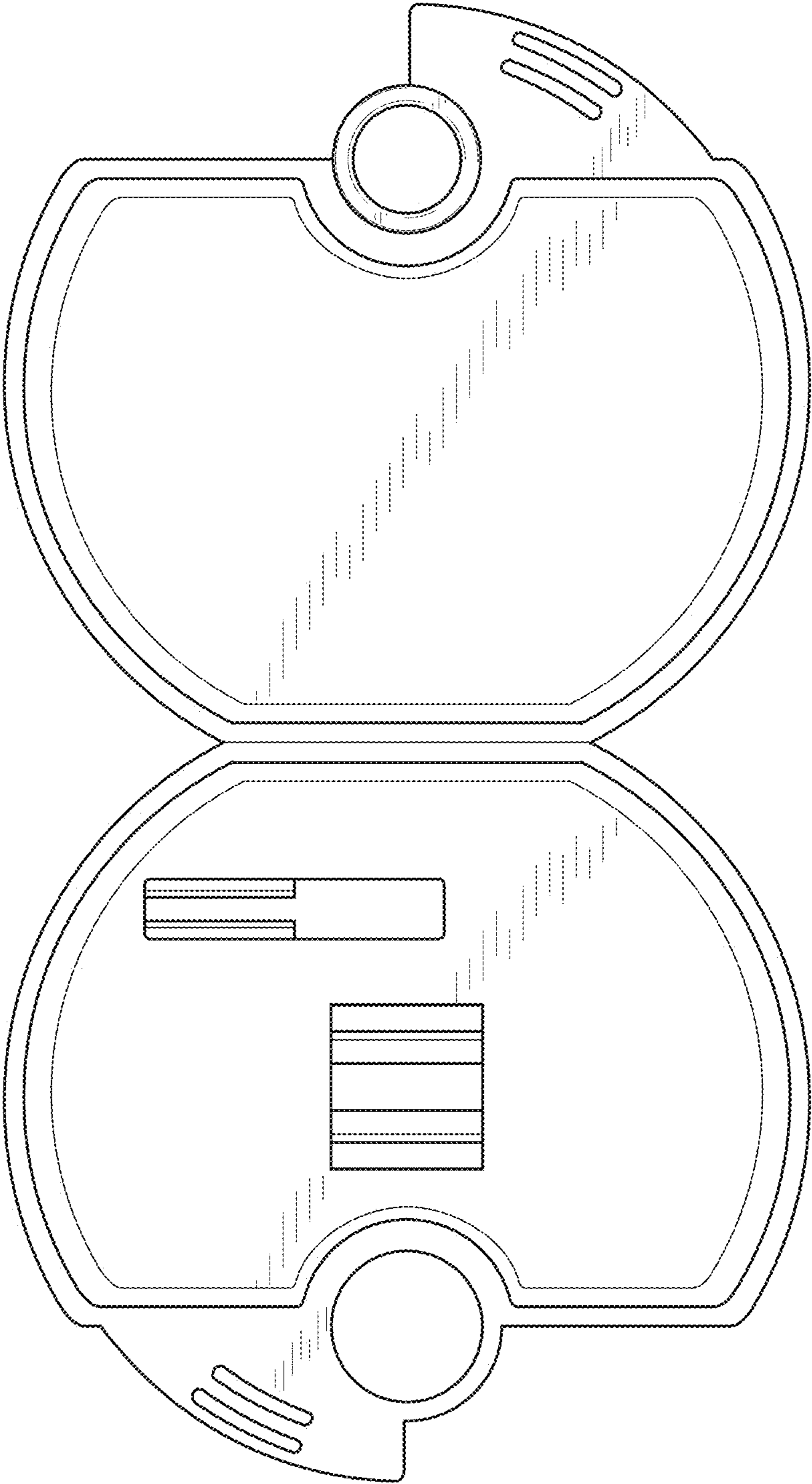


Fig. 10

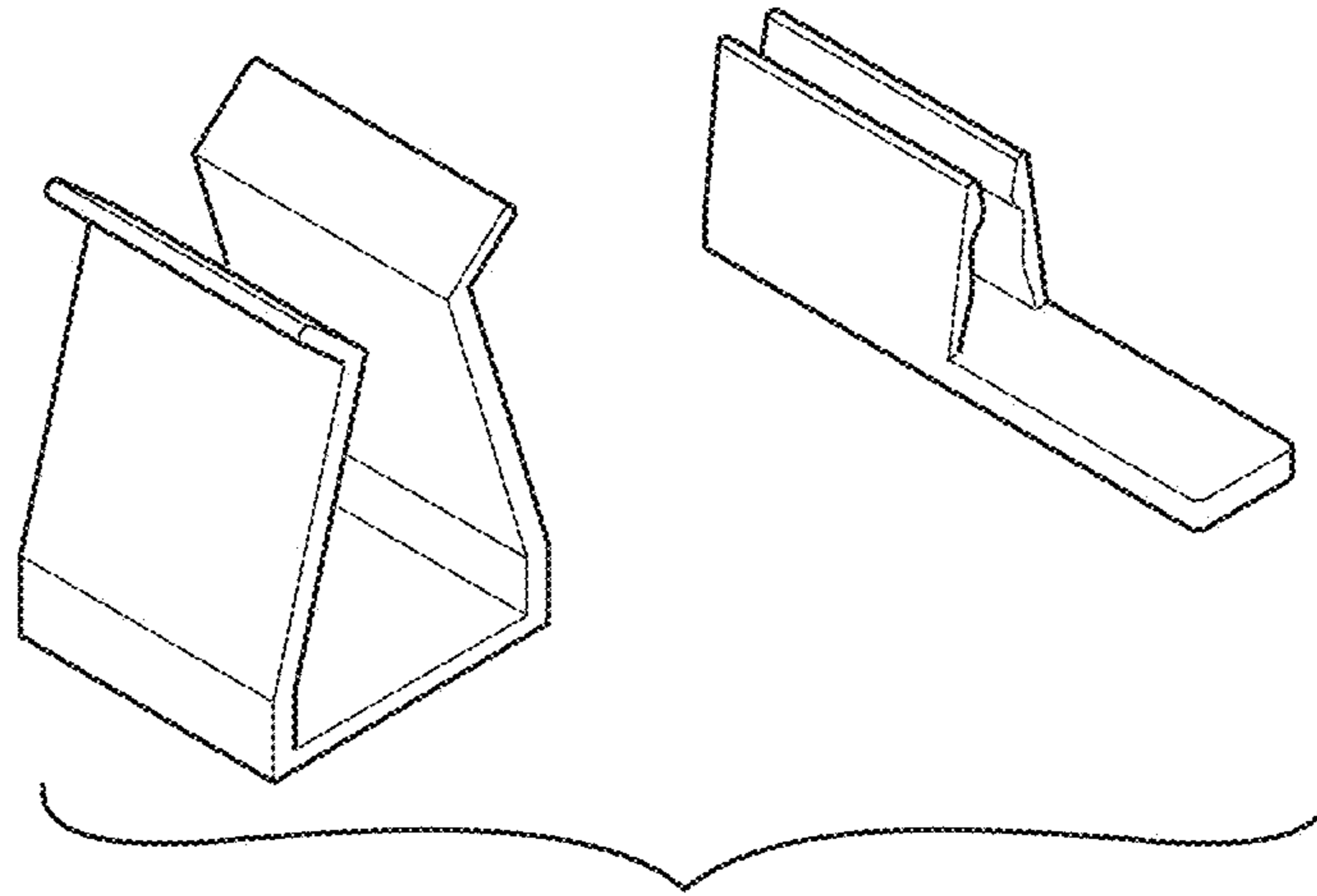


Fig. 11

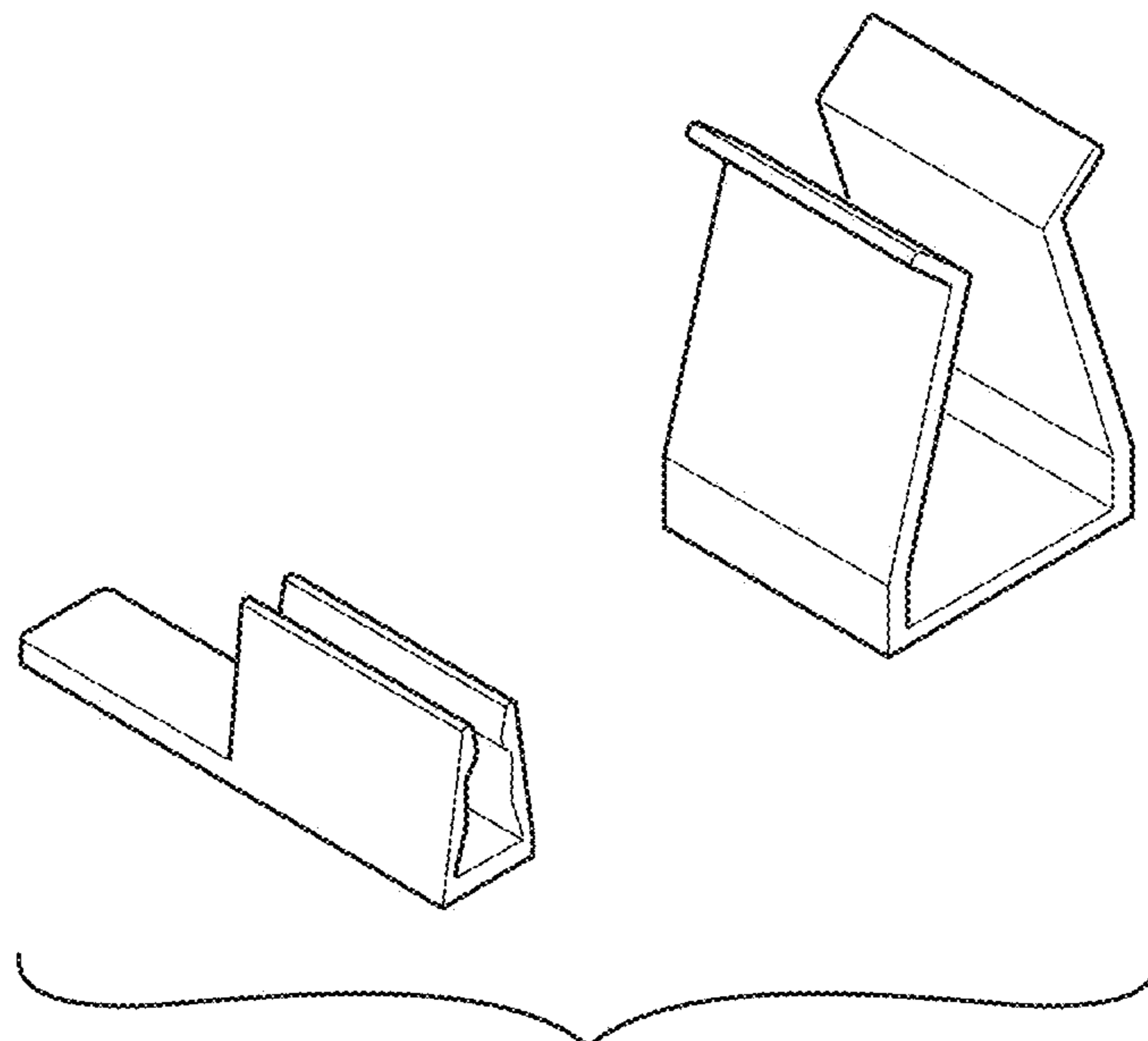


Fig. 12