

US00D890510S

(12) **United States Design Patent**  
**Crown et al.**

(10) **Patent No.:** **US D890,510 S**  
(45) **Date of Patent:** **\*\* Jul. 21, 2020**

(54) **CRUTCH CONNECTOR ARRANGEMENT**

(71) Applicant: **Creative Law Enforcement Resources, Inc., Carson, CA (US)**

(72) Inventors: **Janet Crown, Carson, CA (US); Timothy Pearce, Carson, CA (US)**

(73) Assignee: **Creative Law Enforcement Resources, Inc., Carson, CA (US)**

(\*\*) Term: **15 Years**

(21) Appl. No.: **29/699,189**

(22) Filed: **Jul. 23, 2019**

**Related U.S. Application Data**

(63) Continuation-in-part of application No. 29/590,956, filed on Jan. 13, 2017, now Pat. No. Des. 866,163.

(51) **LOC (12) Cl.** ..... **03-03**

(52) **U.S. Cl.**  
USPC ..... **D3/8; D8/396**

(58) **Field of Classification Search**  
USPC ..... D3/5, 7, 8, 10; D8/363, 382, 394, 395, D8/396

CPC ..... A45B 9/00; A45B 2009/002; F16B 2001/0035; F16B 7/00; F16B 7/04; F16B 7/0433; F16L 3/00; F16L 3/08

See application file for complete search history.

(56) **References Cited**

**U.S. PATENT DOCUMENTS**

- 2,702,683 A \* 2/1955 Cosser ..... B67D 7/38  
248/309.4
- 2,975,497 A \* 3/1961 Budreck ..... A44B 15/002  
24/303
- 4,002,349 A \* 1/1977 Dopp ..... A63C 11/021  
280/814

- 4,688,961 A \* 8/1987 Shioda ..... F16B 7/04  
24/336
- D306,553 S \* 3/1990 Rumpel ..... D8/395
- 5,392,800 A \* 2/1995 Sergi ..... A45B 3/00  
135/65
- D363,211 S \* 10/1995 Noble ..... D8/371
- 5,456,437 A \* 10/1995 Chander ..... A45B 1/04  
211/62
- 5,664,713 A \* 9/1997 Burgstahler ..... A45F 3/14  
135/66
- D392,180 S \* 3/1998 Bilow ..... D8/382
- D418,286 S \* 1/2000 Skeppstedt ..... D3/10
- D423,994 S \* 5/2000 Helwig ..... D12/133
- D440,005 S \* 4/2001 Blanton ..... 24/16 R

(Continued)

*Primary Examiner* — Steven J Czyz

(74) *Attorney, Agent, or Firm* — Smyrski Law Group, A.P.C.

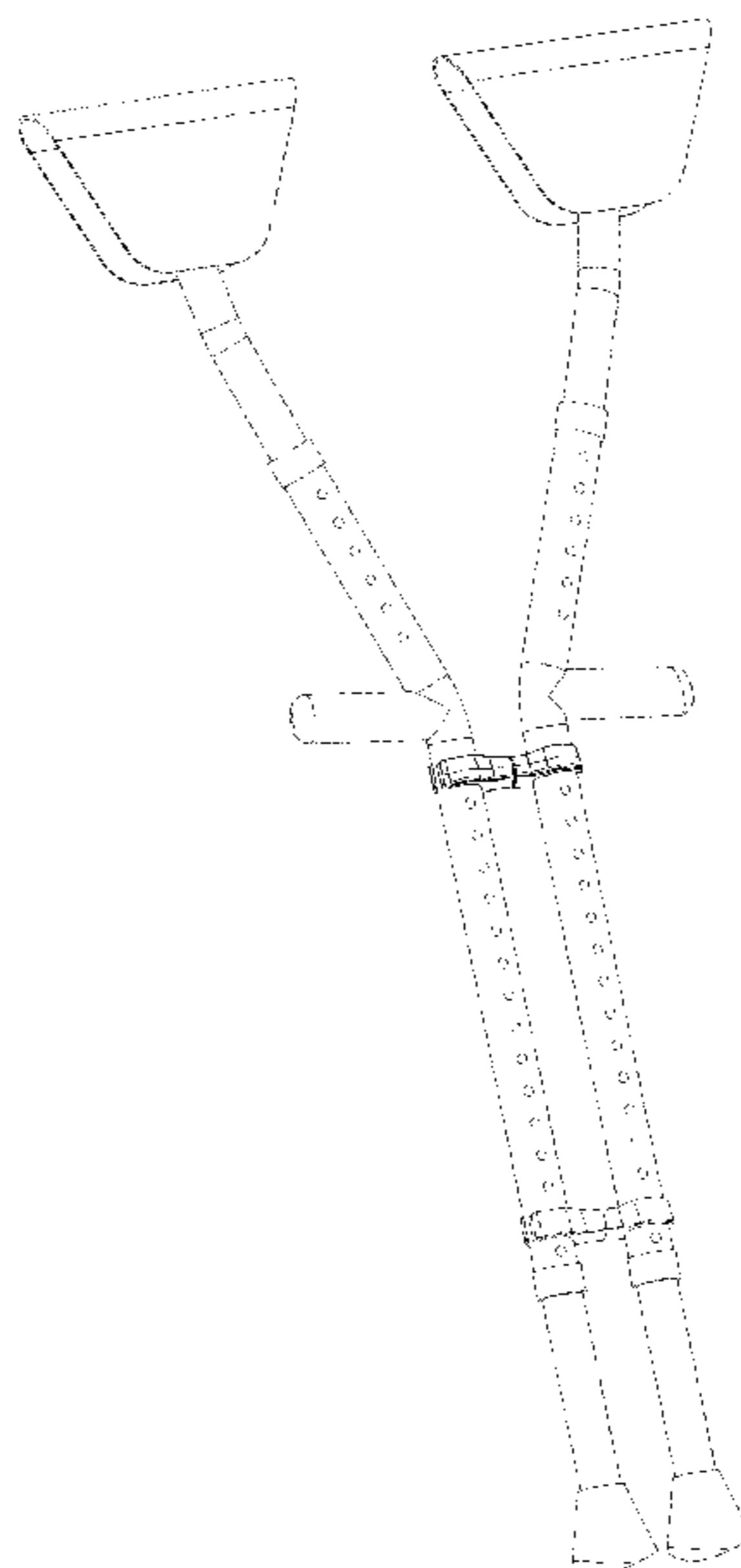
(57) **CLAIM**

The ornamental design for a crutch connector arrangement, as shown and described.

**DESCRIPTION**

FIG. 1 is a perspective view of a crutch connector arrangement, showing our new design with the two pieces joined; FIG. 2 is a perspective view of the crutch connector arrangement, shown with the two pieces separated; FIG. 3 is a perspective view of just one of the two pieces of the crutch connector arrangement, shown separately for ease of disclosure; FIG. 4 is a front view thereof; FIG. 5 is a rear view thereof; FIG. 6 is a right side view thereof; FIG. 7 is a left side view thereof; FIG. 8 is a top plan view thereof; and, FIG. 9 is a bottom plan view thereof. The broken lines depict portions of the article and environment that form no part of the claimed design.

**1 Claim, 7 Drawing Sheets**



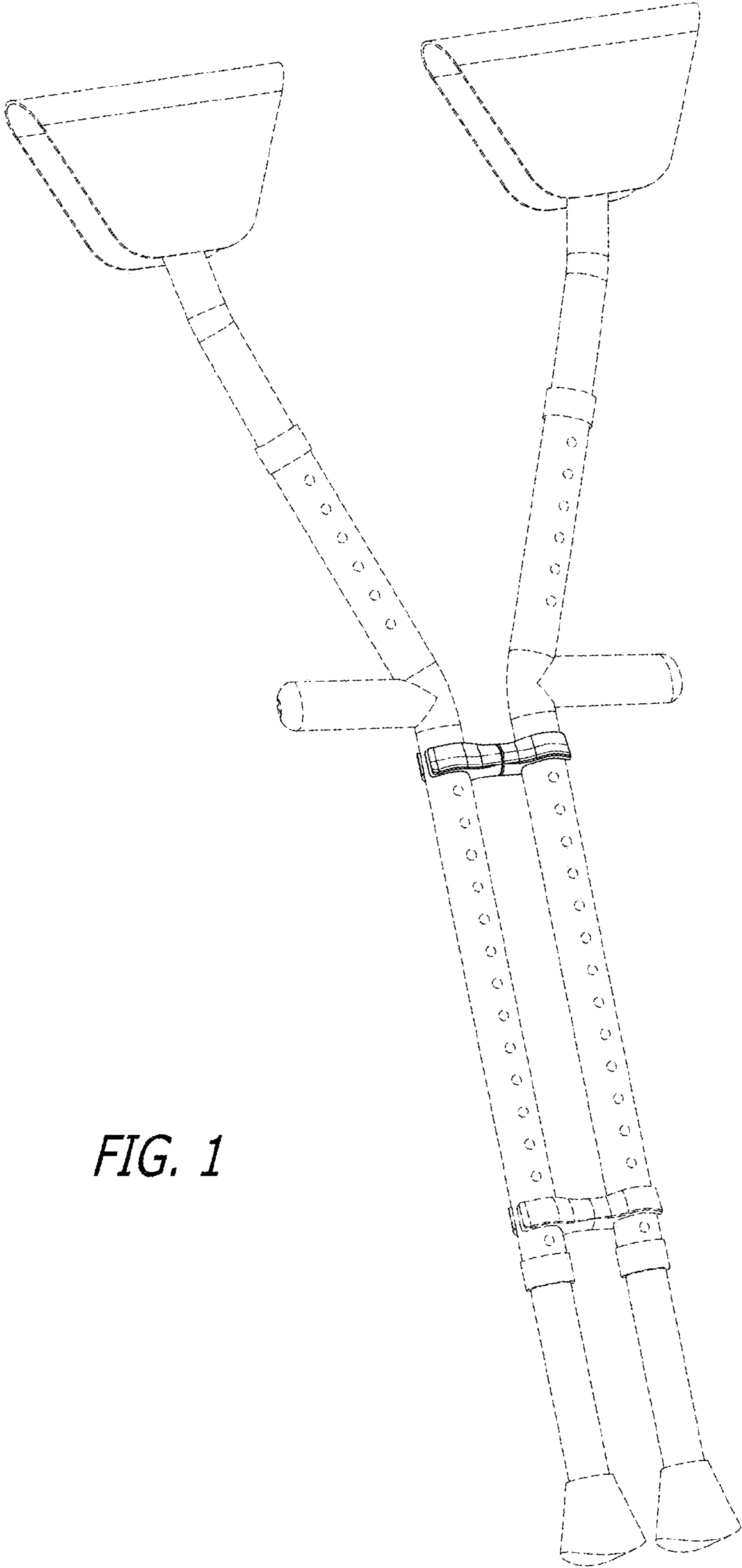
(56)

**References Cited**

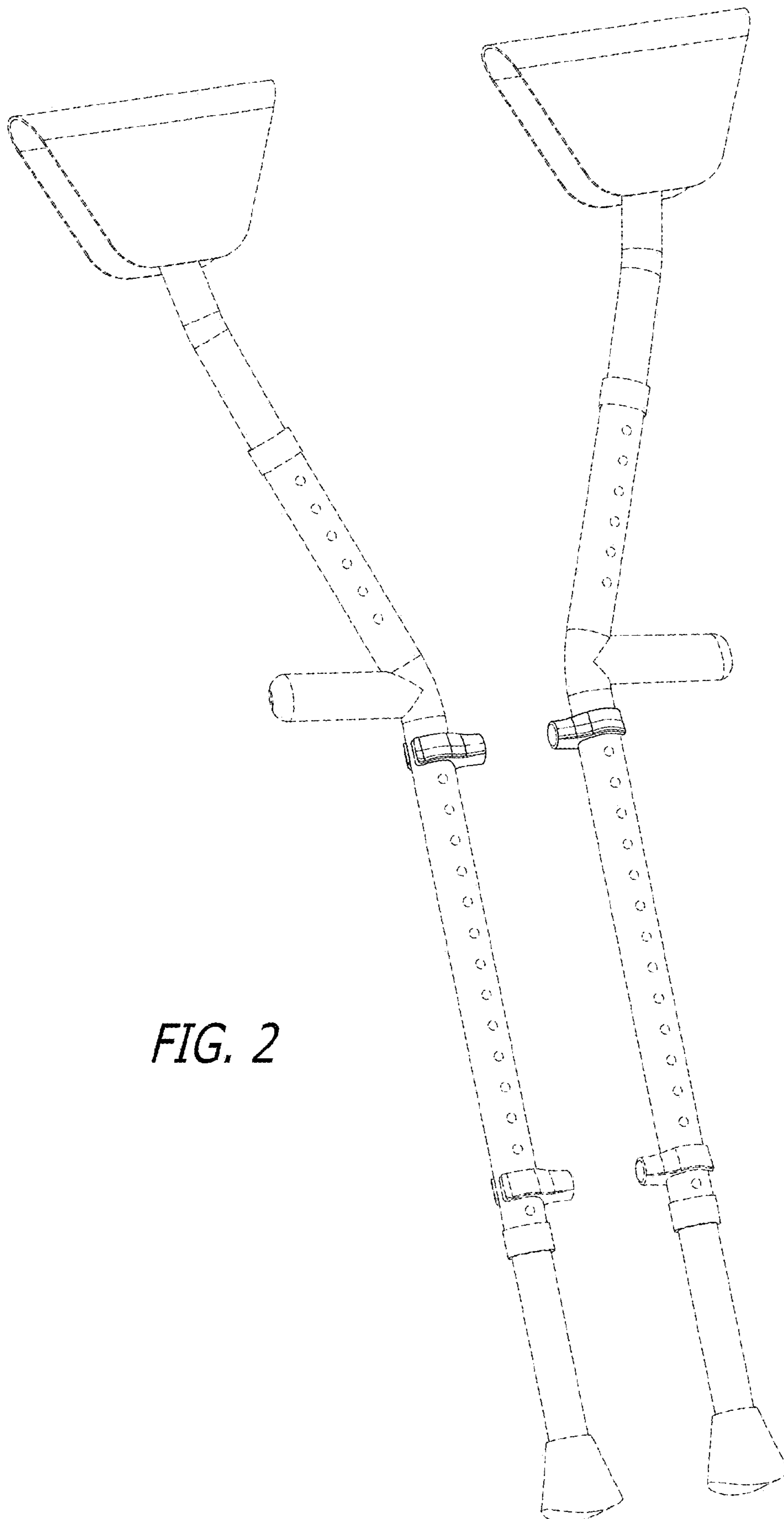
U.S. PATENT DOCUMENTS

|            |      |         |            |       |             |
|------------|------|---------|------------|-------|-------------|
| 6,561,206  | B1 * | 5/2003  | Wilkinson  | ..... | A61H 3/0244 |
|            |      |         |            |       | 135/65      |
| D479,798   | S *  | 9/2003  | Wall       | ..... | D25/119     |
| D487,015   | S *  | 2/2004  | Kalbach    | ..... | D16/339     |
| 6,708,831  | B1 * | 3/2004  | Balassi    | ..... | A61H 3/0244 |
|            |      |         |            |       | 135/65      |
| D531,019   | S *  | 10/2006 | Plumer     | ..... | D8/396      |
| D576,024   | S *  | 9/2008  | Mazzocco   | ..... | D8/382      |
| D586,649   | S *  | 2/2009  | Fleischman | ..... | D8/396      |
| D587,563   | S *  | 3/2009  | Fleischman | ..... | D8/396      |
| D587,564   | S *  | 3/2009  | Kodi       | ..... | D8/354      |
| D618,990   | S *  | 7/2010  | Heindl     | ..... | D8/382      |
| D660,690   | S *  | 5/2012  | Mixides    | ..... | D8/396      |
| D690,997   | S *  | 10/2013 | Zemel      | ..... | D7/590      |
| D732,009   | S *  | 6/2015  | Bak        | ..... | D14/229     |
| D765,647   | S *  | 9/2016  | Lee        | ..... | D14/253     |
| D773,287   | S *  | 12/2016 | Lida       | ..... | D8/363      |
| D806,527   | S *  | 1/2018  | Baker, Jr. | ..... | D8/396      |
| D808,256   | S *  | 1/2018  | Muller     | ..... | D8/396      |
| 10,228,114 | B1 * | 3/2019  | Payton     | ..... | F21V 21/096 |
| D854,918   | S *  | 7/2019  | Fitz       | ..... | D8/383      |

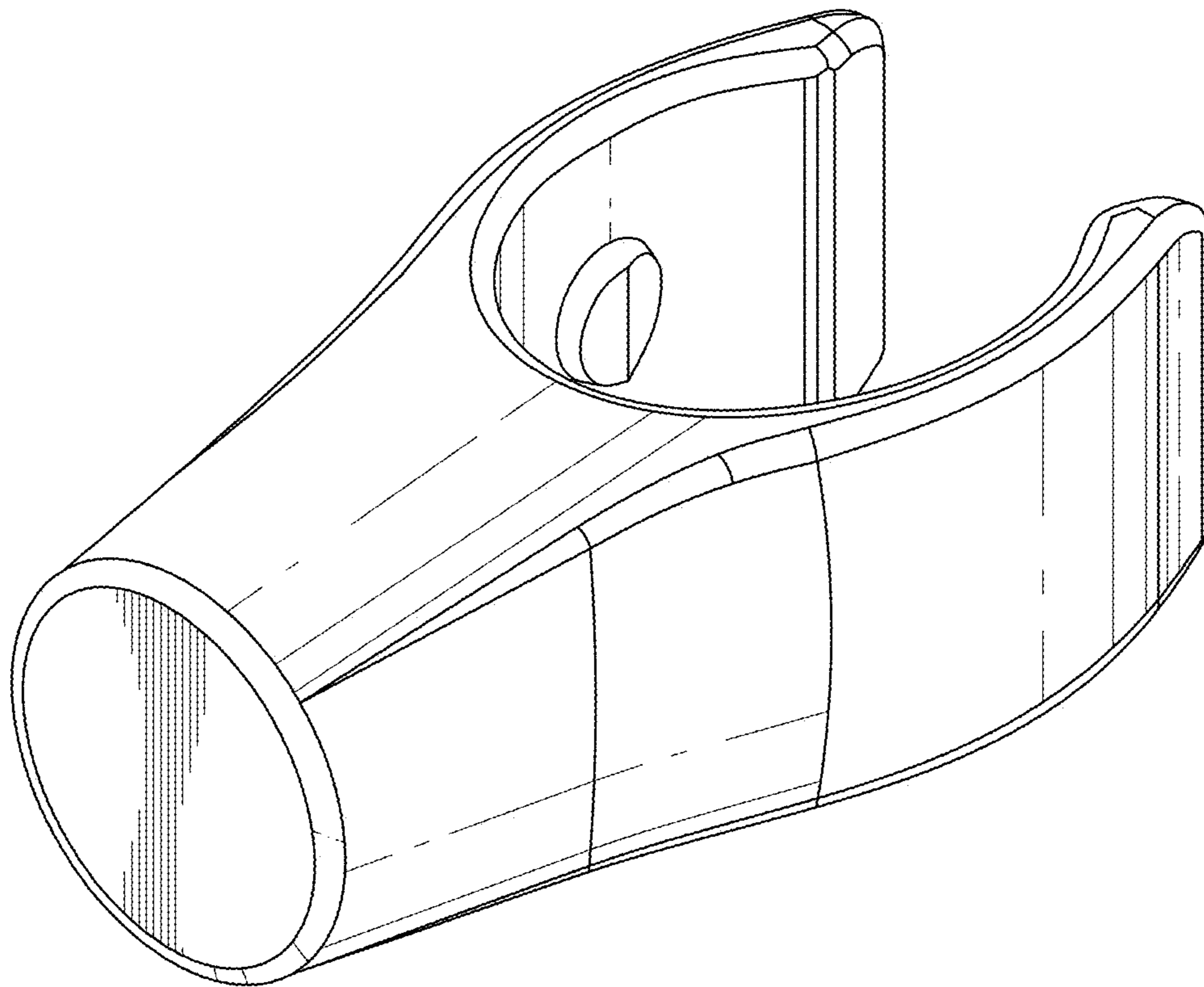
\* cited by examiner



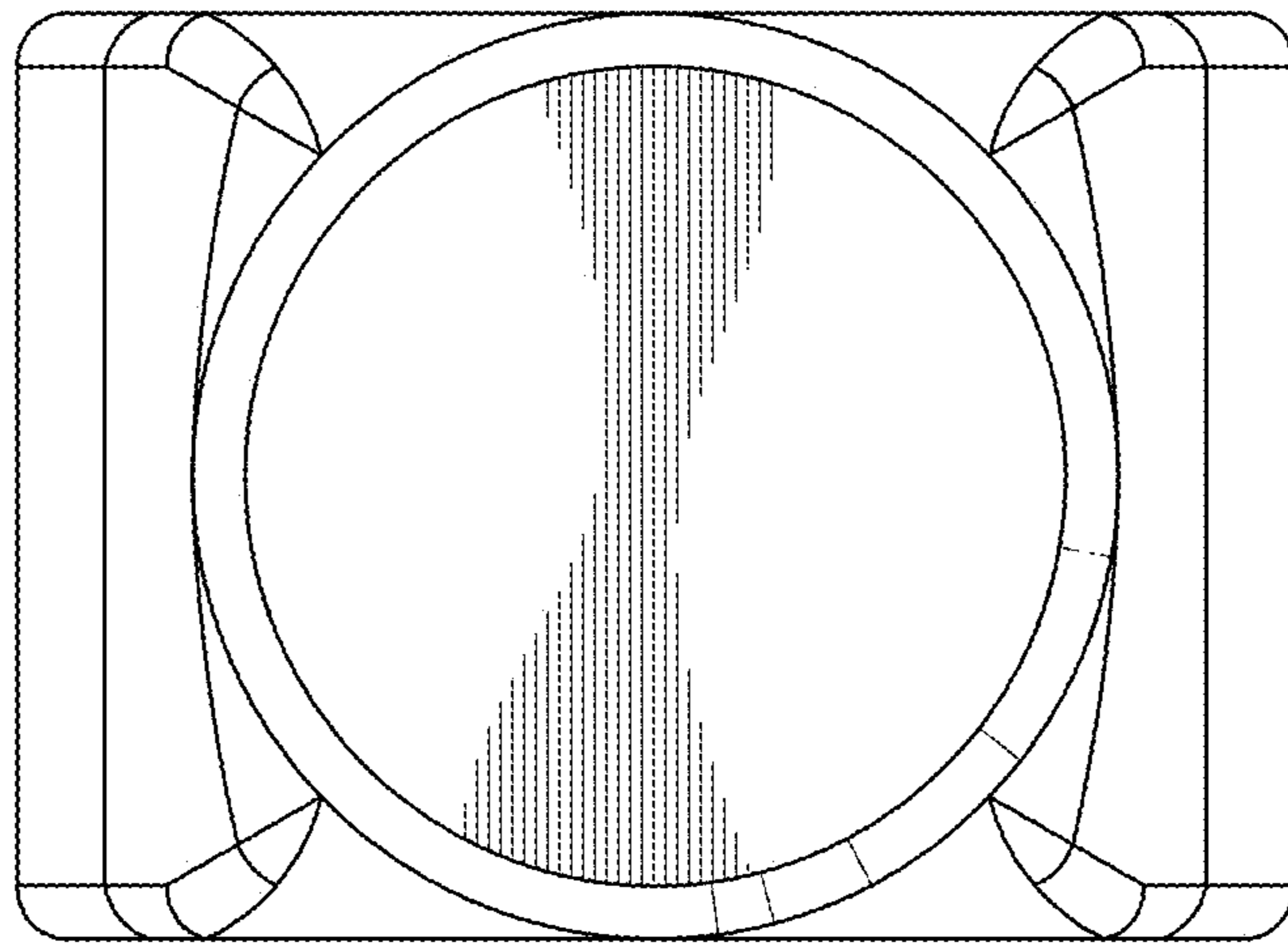
*FIG. 1*



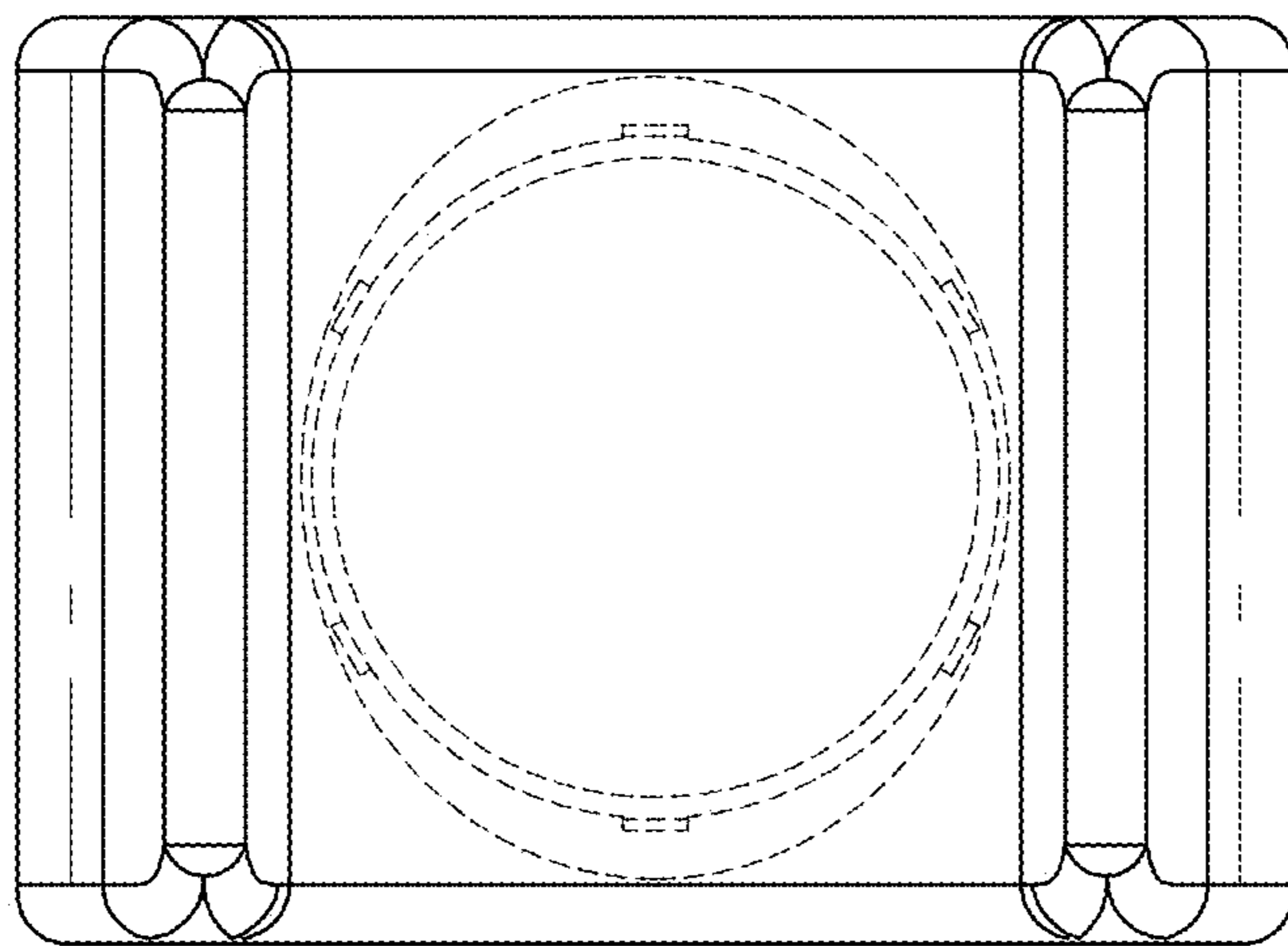
*FIG. 2*



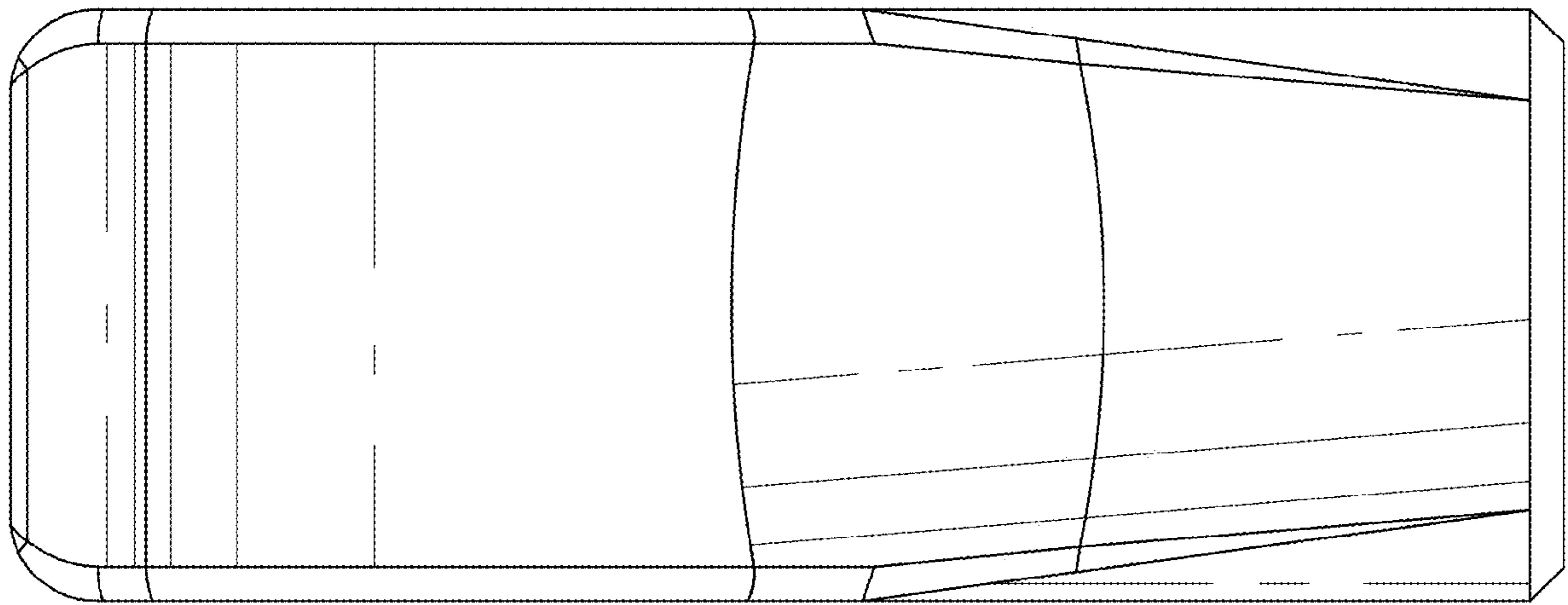
*FIG. 3*



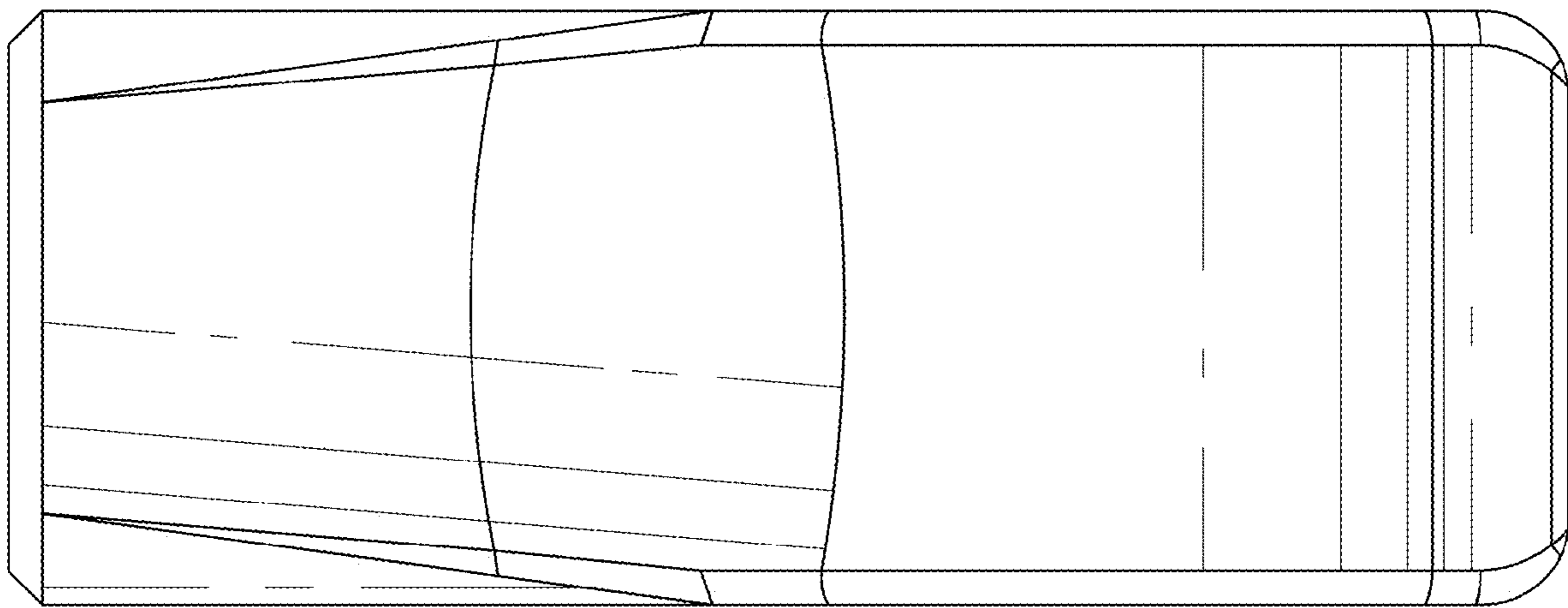
*FIG. 4*



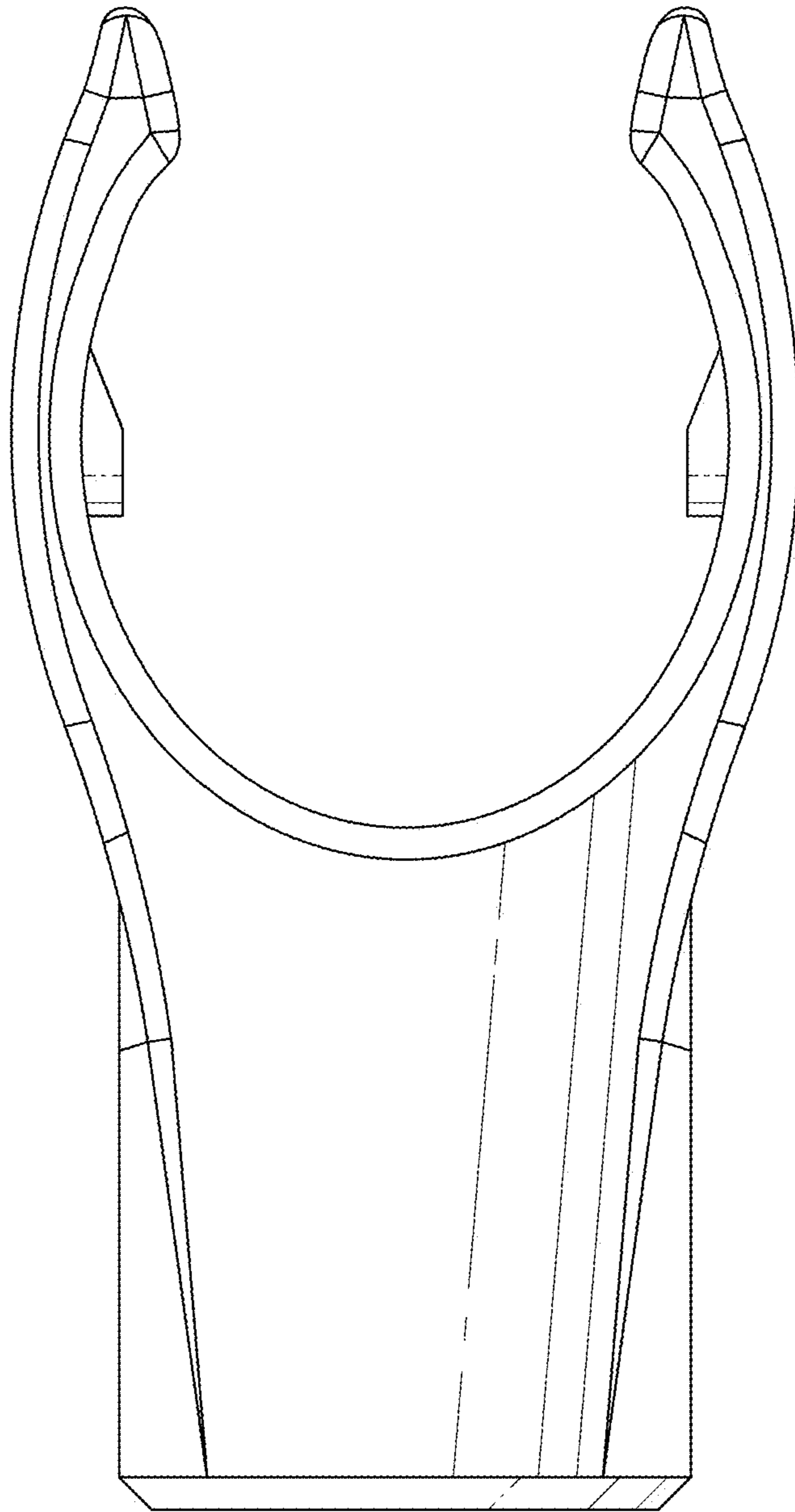
*FIG. 5*



*FIG. 6*

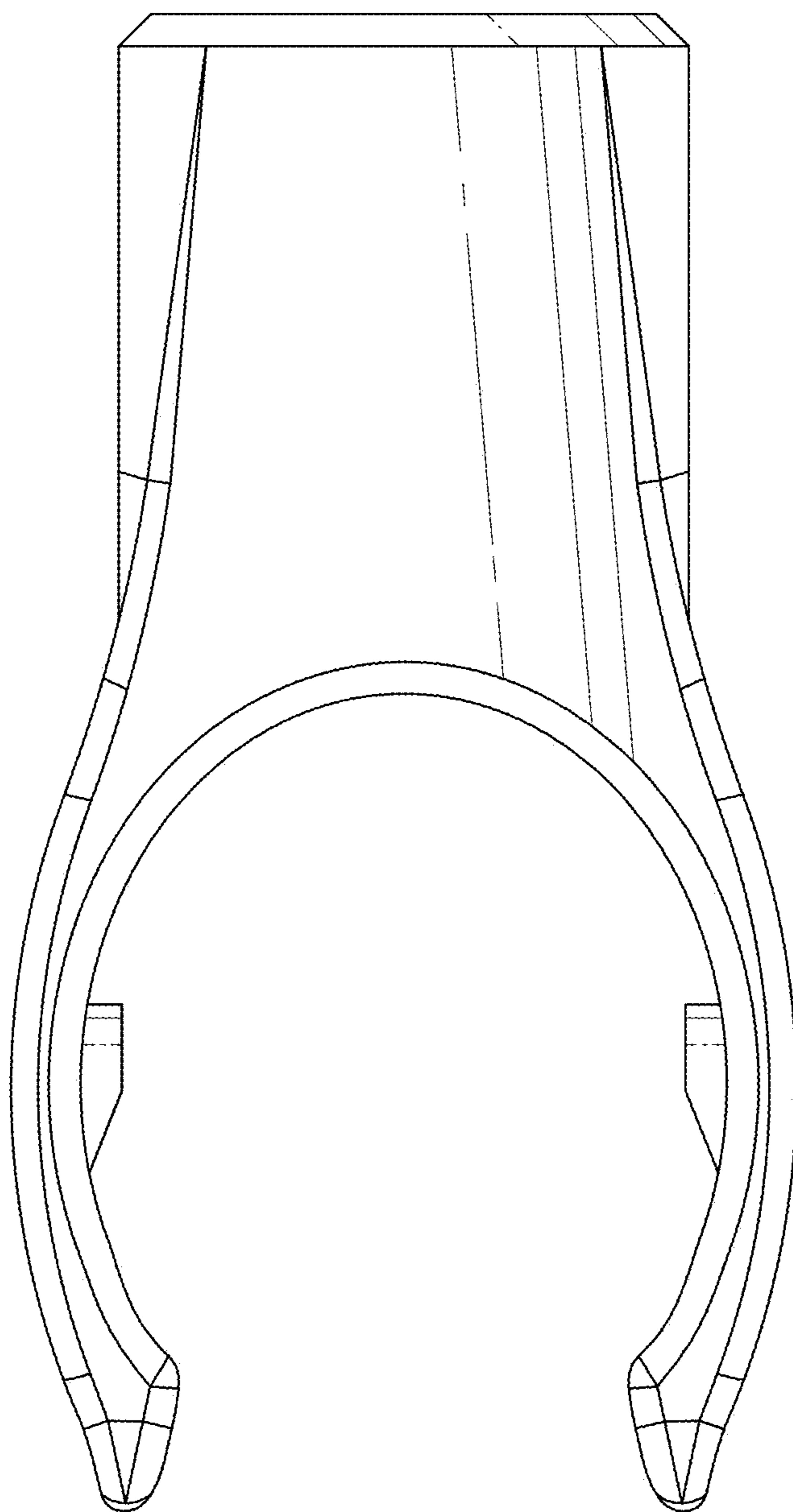


*FIG. 7*



*FIG. 8*





*FIG. 9*