



US00D890479S

(12) **United States Design Patent** (10) **Patent No.:** **US D890,479 S**  
**Wood et al.** (45) **Date of Patent:** **\*\* Jul. 21, 2020**

- (54) **FOOTWEAR ARTICLE**
- (71) Applicant: **Fuerst Group, Inc.**, Menlo Park, CA (US)
- (72) Inventors: **Alicia Wood**, Portland, OR (US); **Rory Fuerst, Jr.**, Portland, OR (US)
- (73) Assignee: **Fuerst Group, Inc.**, Menlo Park, CA (US)
- (\*\*) Term: **15 Years**
- (21) Appl. No.: **29/653,597**
- (22) Filed: **Jun. 15, 2018**
- (51) **LOC (12) Cl.** ..... **02-04**
- (52) **U.S. Cl.**  
USPC ..... **D2/916; D2/896; D2/943**
- (58) **Field of Classification Search**  
USPC ..... D2/896-900, 902-908, 916-918, 923, D2/929, 946, 969, 972-974  
CPC ..... A43B 5/001-003; A43B 5/06; A43B 5/04  
See application file for complete search history.

- 2006/0288610 A1 12/2006 Laska et al.
- 2008/0276492 A1 11/2008 Burnett
- 2015/0047228 A1 2/2015 Pernia

**FOREIGN PATENT DOCUMENTS**

FR 2774562 A1 8/1999

\* cited by examiner

*Primary Examiner* — Rashida C. Walshon

(74) *Attorney, Agent, or Firm* — McCoy Russell LLP

(57) **CLAIM**

An ornamental design for a footwear article, as shown and described.

**DESCRIPTION**

FIG. 1 is a top left-side perspective view of a footwear article according to the present invention, with a heel strap of the footwear article in a lowered position.

FIG. 2 is a front view of the footwear article of FIG. 1.

FIG. 3 is a back view of the footwear article of FIG. 1.

FIG. 4 is a right-side view of the footwear article of FIG. 1.

FIG. 5 is a left-side view of the footwear article of FIG. 1.

FIG. 6 is a top view of the footwear article of FIG. 1.

FIG. 7 is a bottom view of the footwear article of FIG. 1.

FIG. 8 is a right-side view of the footwear article of FIG. 1, with the heel strap of the footwear article in a raised position; and,

FIG. 9 is a front view of the footwear article of FIG. 1, with the heel strap of the footwear article in the raised position.

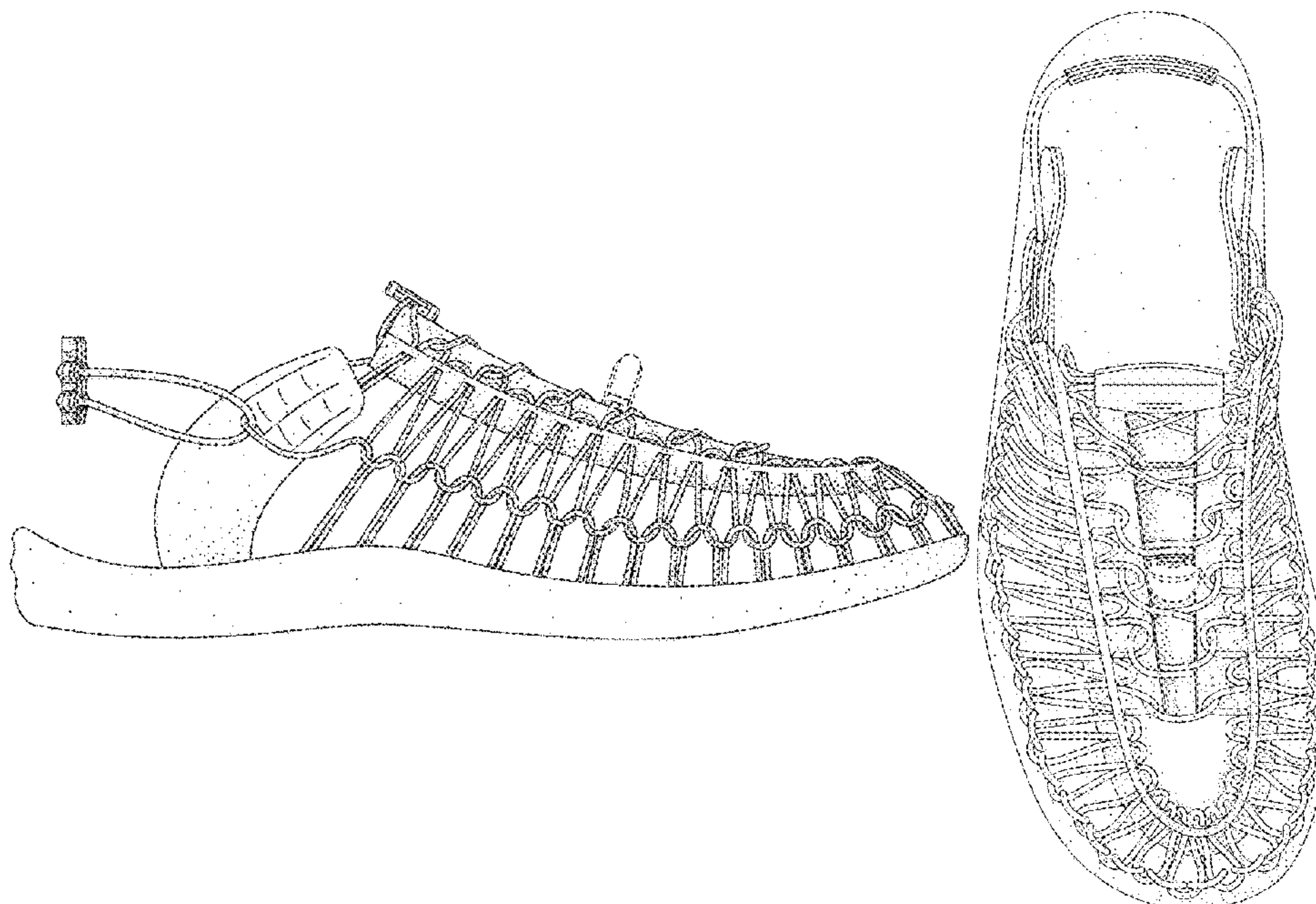
The broken lines in FIGS. 1-2, 4-6, and 8-9 illustrate portions of the footwear article that form no part of the claimed design.

(56) **References Cited**

**U.S. PATENT DOCUMENTS**

- 3,336,683 A 8/1967 Schellkopf
- 3,800,444 A \* 4/1974 Young
- D376,042 S \* 12/1996 Cooper ..... D2/978
- D437,991 S \* 2/2001 Matis ..... D2/902
- D441,521 S \* 5/2001 Matis ..... D2/903
- 6,237,249 B1 5/2001 Aguerre
- D476,144 S \* 6/2003 Adams ..... D2/969
- D530,062 S \* 10/2006 Schoenborn ..... D2/916
- D570,082 S \* 6/2008 Belley ..... D2/969
- D628,784 S \* 12/2010 Joseph ..... D2/916
- D715,531 S \* 10/2014 Cochrane ..... D2/973
- D851,368 S \* 6/2019 Fuerst, Sr. .... D2/916

**1 Claim, 8 Drawing Sheets**



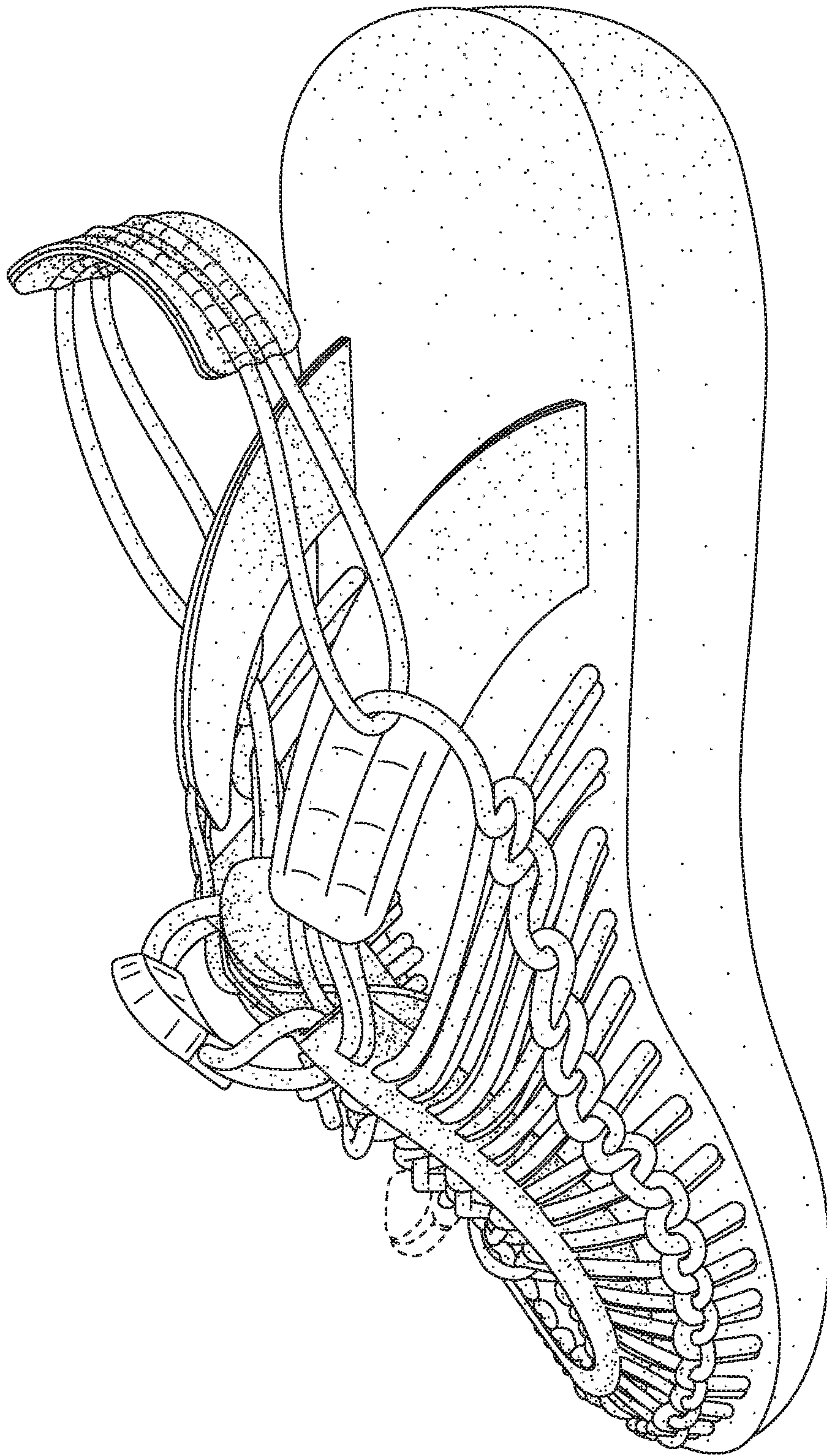


FIG. 1



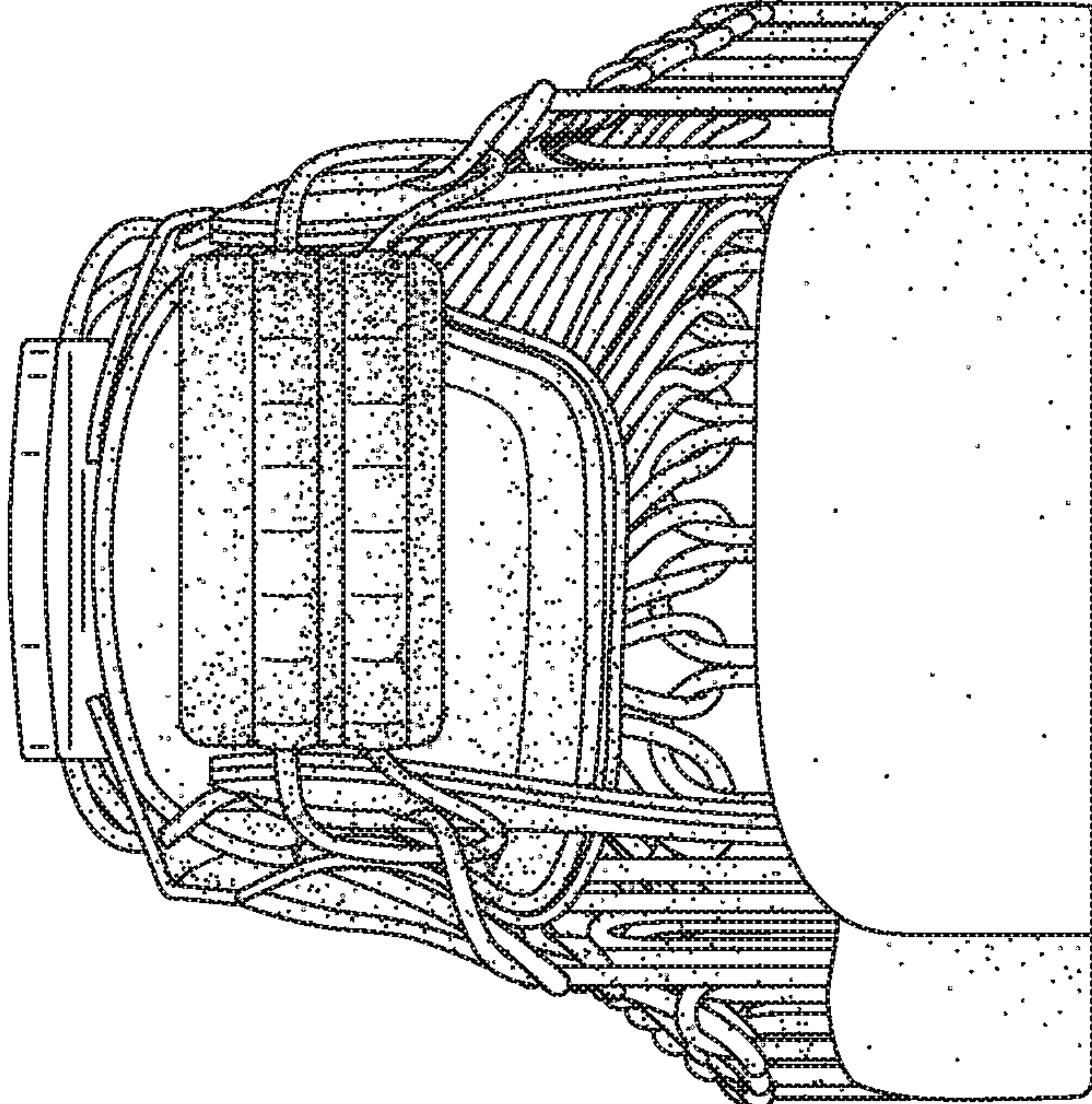


FIG. 3

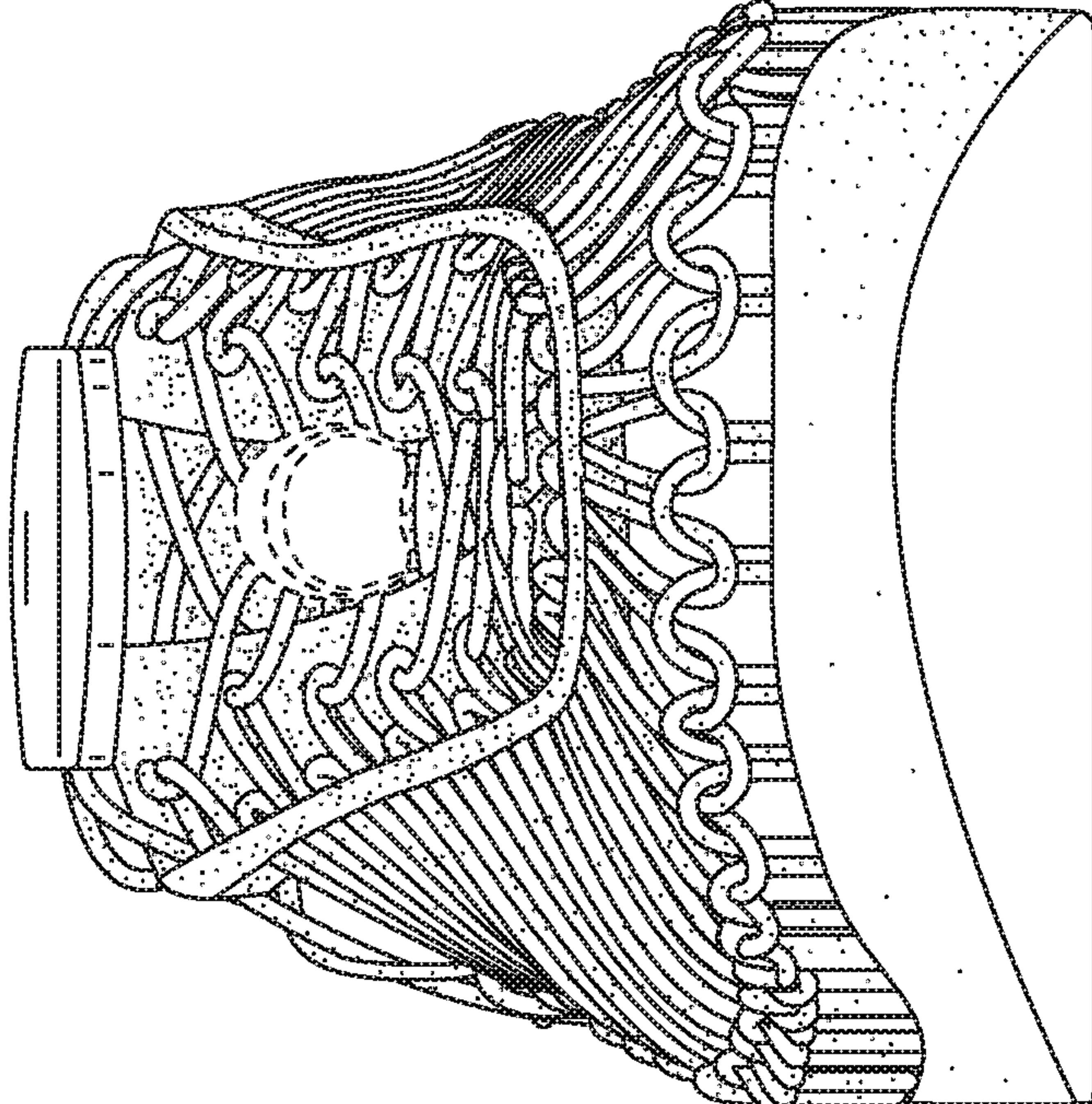


FIG. 2

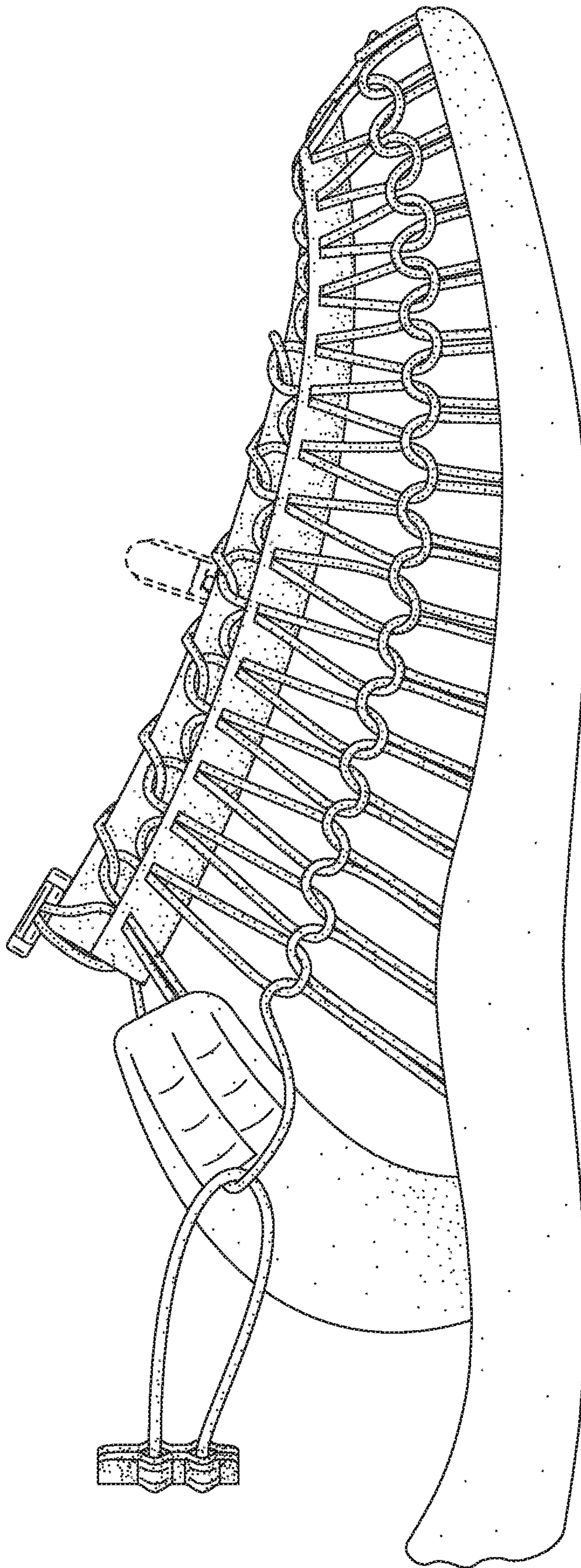


FIG. 4



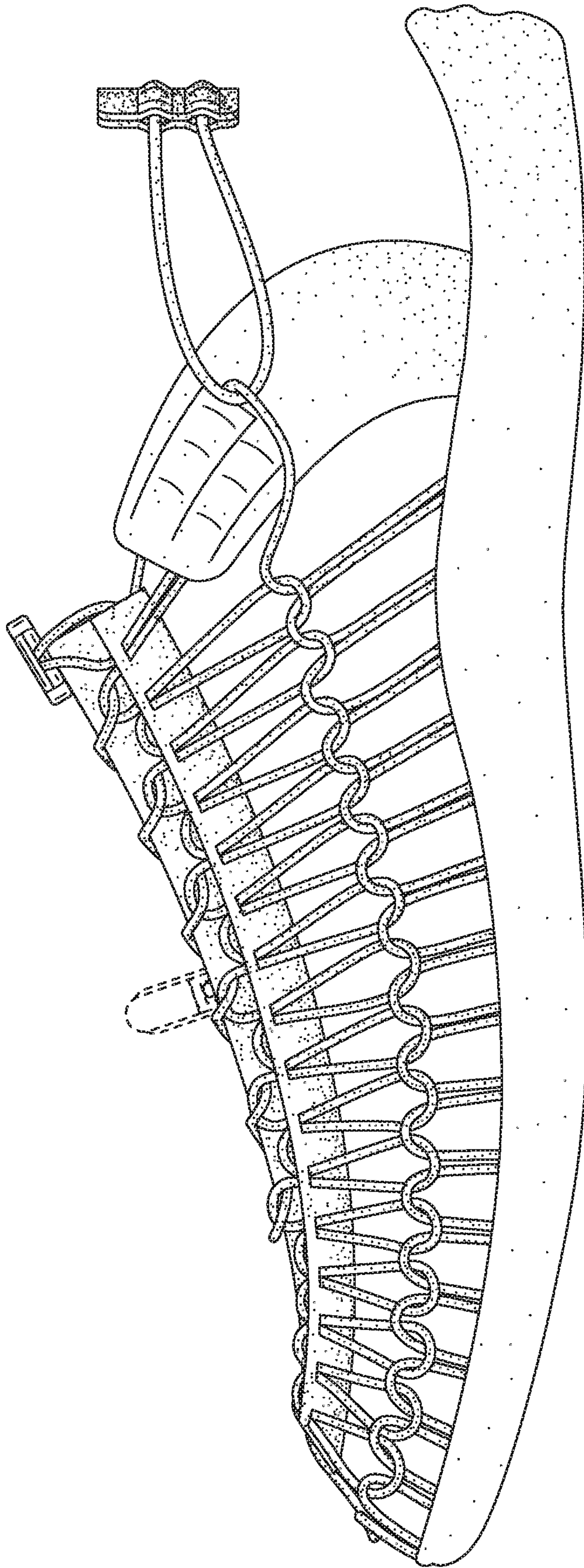


FIG. 5

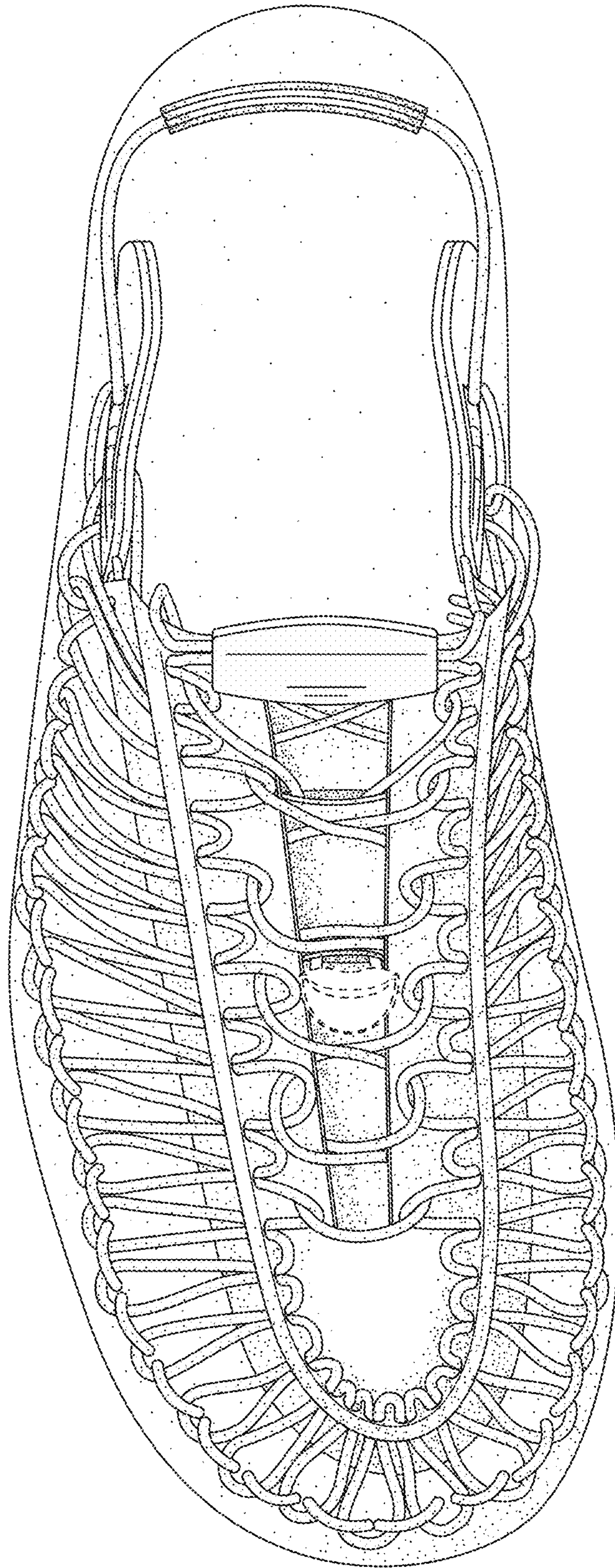


FIG. 6

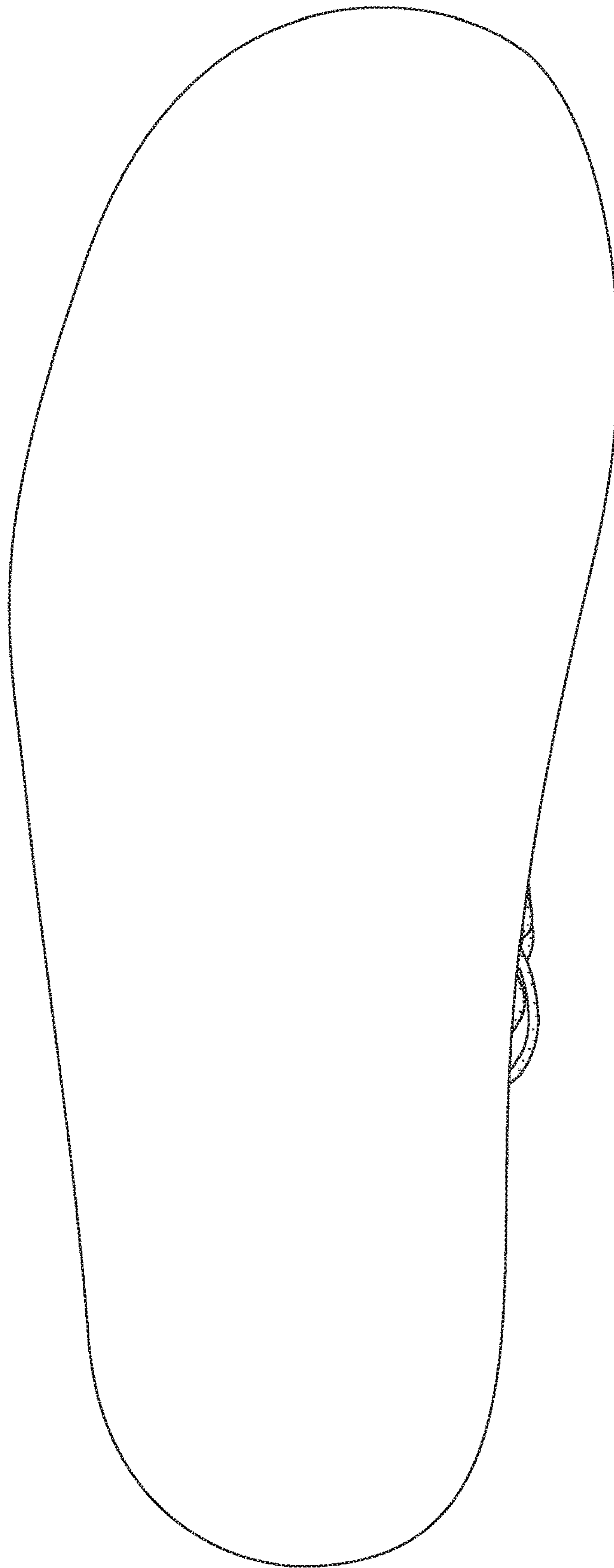


FIG. 7



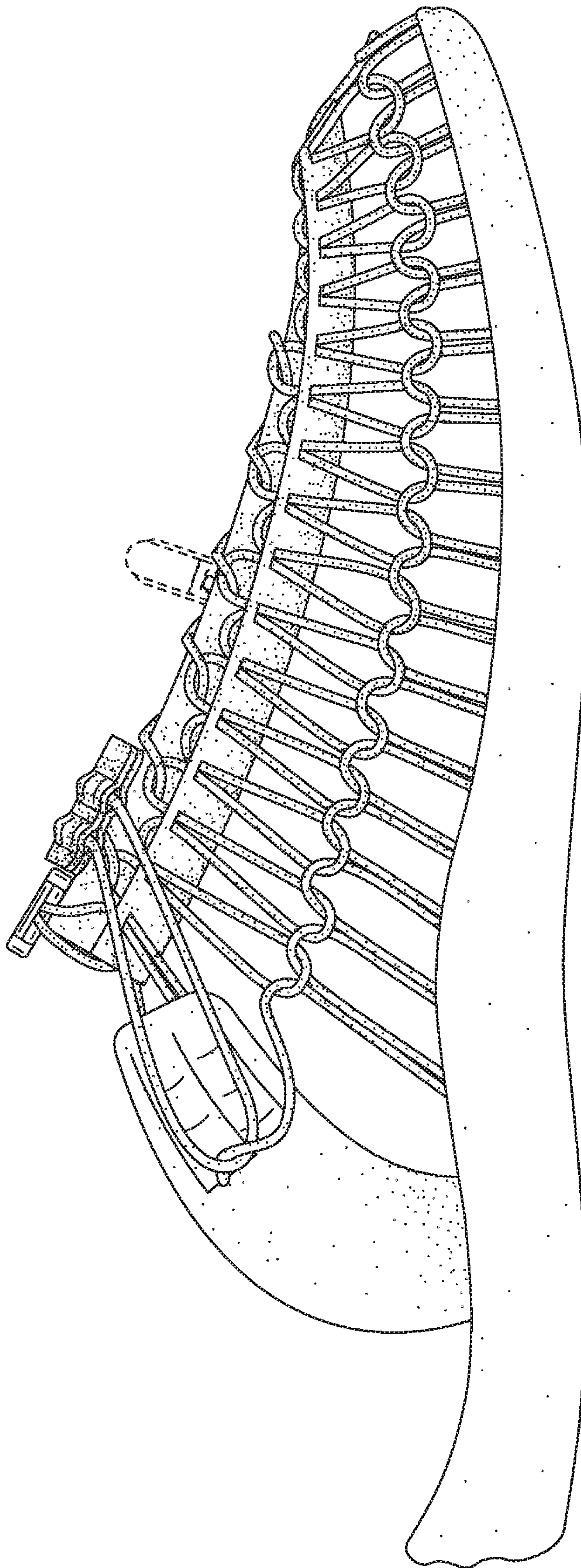


FIG. 8



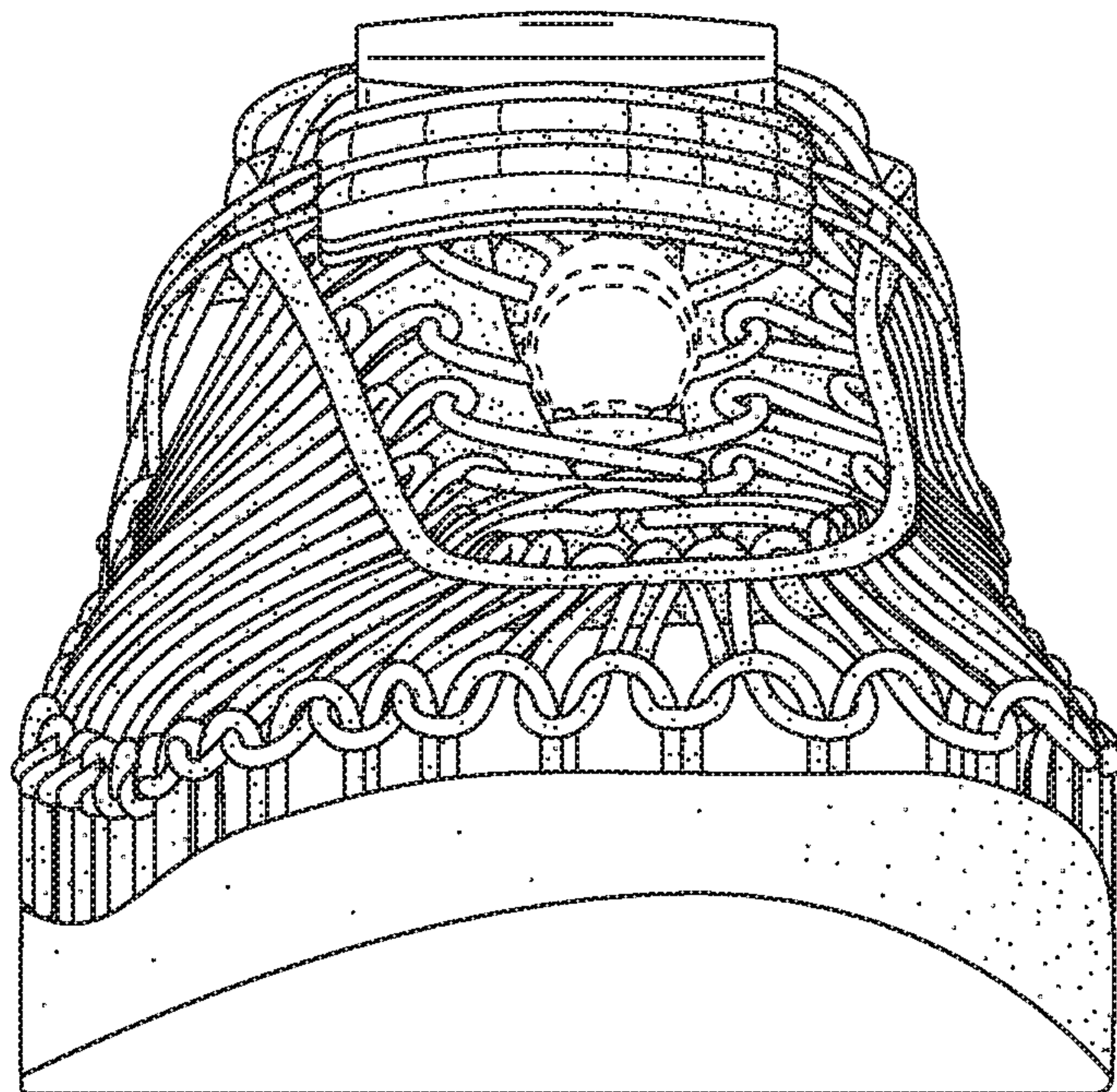


FIG. 9