



US00D890464S

(12) **United States Design Patent** (10) **Patent No.:** **US D890,464 S**
Barness (45) **Date of Patent:** **** Jul. 14, 2020**

(54) **PROTECTIVE LINER FOR SHOPPING CART**

Primary Examiner — Cynthia Ramirez

(71) Applicant: **Safe Products LLC**, Scottsdale, AZ
(US)

(74) *Attorney, Agent, or Firm* — Thomas W. Galvani,
P.C.; Thomas W. Galvani

(72) Inventor: **Andrea L. Barness**, Scottsdale, AZ
(US)

(57) **CLAIM**

(**) Term: **15 Years**

The ornamental design for a protective liner for shopping cart, as shown and described.

(21) Appl. No.: **29/731,790**

(22) Filed: **Apr. 17, 2020**

DESCRIPTION

(51) **LOC (12) Cl.** **12-02**

(52) **U.S. Cl.**
USPC **D34/27**

(58) **Field of Classification Search**
USPC D34/27; D6/333
CPC B62B 5/069; B62B 5/0013; B62B 3/1448;
B62B 3/1436; B62B 3/1416
See application file for complete search history.

FIG. 1 is a front top perspective view of a protective liner for shopping cart shown in accordance with my new design; FIG. 2 is a front bottom perspective view of the protective liner for shopping cart shown in FIG. 1; FIG. 3 is a rear top perspective view of the protective liner for shopping cart shown in FIG. 1; FIG. 4 is a rear bottom perspective view of the protective liner for shopping cart shown in FIG. 1; FIG. 5 is another rear bottom perspective view of the protective liner for shopping cart shown in FIG. 1; FIG. 6 is a front elevation view of the protective liner for shopping cart shown in FIG. 1; FIG. 7 is a rear elevation view of the protective liner for shopping cart shown in FIG. 1; FIG. 8 is a left side elevation view of the protective liner for shopping cart shown in FIG. 1; FIG. 9 is a right side elevation view of the protective liner for shopping cart shown in FIG. 1; FIG. 10 is a top plan view of the protective liner for shopping cart shown in FIG. 1; FIG. 11 is a bottom plan view of the protective liner for shopping cart shown in FIG. 1; and, FIG. 12 is a front top perspective view of the protective liner for shopping cart shown in FIG. 1, shown in condition of use.

(56) **References Cited**

U.S. PATENT DOCUMENTS

3,578,380	A	5/1971	Jacobus	
5,238,293	A	8/1993	Gibson	
5,678,888	A	10/1997	Sowell et al.	
D398,128	S *	9/1998	Laivins	D34/25
5,829,835	A	11/1998	Rogers et al.	
6,129,417	A	10/2000	Cohen-Fyffe	
6,237,998	B1	5/2001	Aprile	
6,491,996	B2	12/2002	Digangi	

(Continued)

FOREIGN PATENT DOCUMENTS

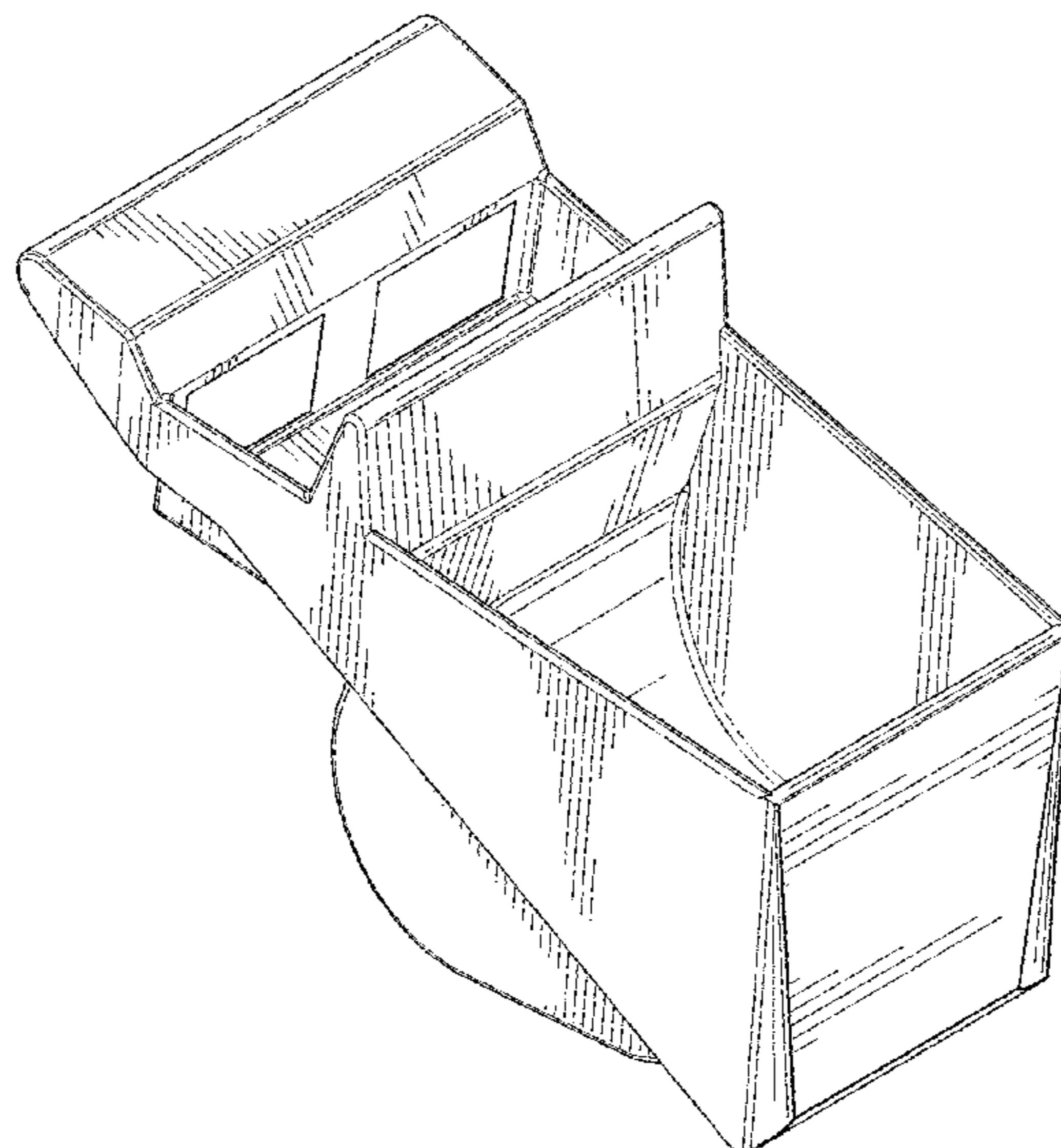
DE	202013004899	U1	10/2013
FR	2758119	A1	7/1998

OTHER PUBLICATIONS

Babygadget_ Buggy Bagg (http://www.babygadget.net/2006/08/buggy_bagg.php).

(Continued)

1 Claim, 9 Drawing Sheets



(56)

References Cited

U.S. PATENT DOCUMENTS

6,517,155 B1 2/2003 Landine
 D477,717 S 7/2003 Gillenwater
 D484,665 S 12/2003 Richardson
 6,702,381 B2 3/2004 Endicott et al.
 D492,830 S 7/2004 Rogers
 6,848,743 B1 2/2005 Collins
 6,851,750 B2 2/2005 Sampson et al.
 7,100,982 B2 9/2006 Lundgren
 7,367,621 B1 5/2008 Han-Dressor et al.
 7,374,182 B2 5/2008 Gurley et al.
 D590,567 S 4/2009 Latham
 8,042,869 B2 10/2011 McClintock et al.
 8,113,580 B1 2/2012 Pusateri
 D672,932 S * 12/2012 Fredendall D34/27
 D672,933 S * 12/2012 Fredendall B62B 5/069
 D34/27
 D677,851 S 3/2013 Harris
 D681,900 S * 5/2013 Fredendall D34/27
 8,807,578 B1 8/2014 Huguley
 D732,784 S * 6/2015 Halsted D34/27
 D748,884 S * 2/2016 Evans D34/27
 D852,451 S 6/2019 Falato
 D882,970 S * 5/2020 Matsuyama D6/333
 2004/0160097 A1 8/2004 Magnusdottir

2008/0258528 A1 10/2008 Bush et al.
 2010/0001480 A1 1/2010 Forde
 2011/0012404 A1 1/2011 Cariera
 2011/0285098 A1 11/2011 Fragale
 2016/0129927 A1* 5/2016 Russell B62B 5/069
 280/33.992
 2017/0129521 A1 5/2017 Conroy et al.
 2017/0291627 A1 10/2017 Grimmond-Schultz

OTHER PUBLICATIONS

Balboa Baby Shopping Cart Cover (<https://goodbuygear.com/collections/shop-all/products/balboa-baby-shopping-cart-cover-2>).
 Clean Cart Cover grocery cart liner protect you and your family _
 Clean Cart Cover—A Safer Way to Shop (<https://cleancartcover.com/products/clean-cart-cover>).
 McCall's M5409 Infant's Shopping Cart Liner Size_ One Uncut
 Sewing Pattern (<https://pattern-walk.com/product/mccalls-m5409-infants-shopping-cart-liner-size-one-uncut-sewing-pattern/>).
 Nylon Basket Liner for R&B Wire Large Capacity Laundry Cart
 (<https://www.rehabmart.com/product/nylon-basket-liner-for-large-capacity-laundry-cart-28897.html>).
 Shopping _ Etsy (<https://www.etsy.com/il-en/listing/569981687/on-salesshopping-trolley-covertrolley>).

* cited by examiner

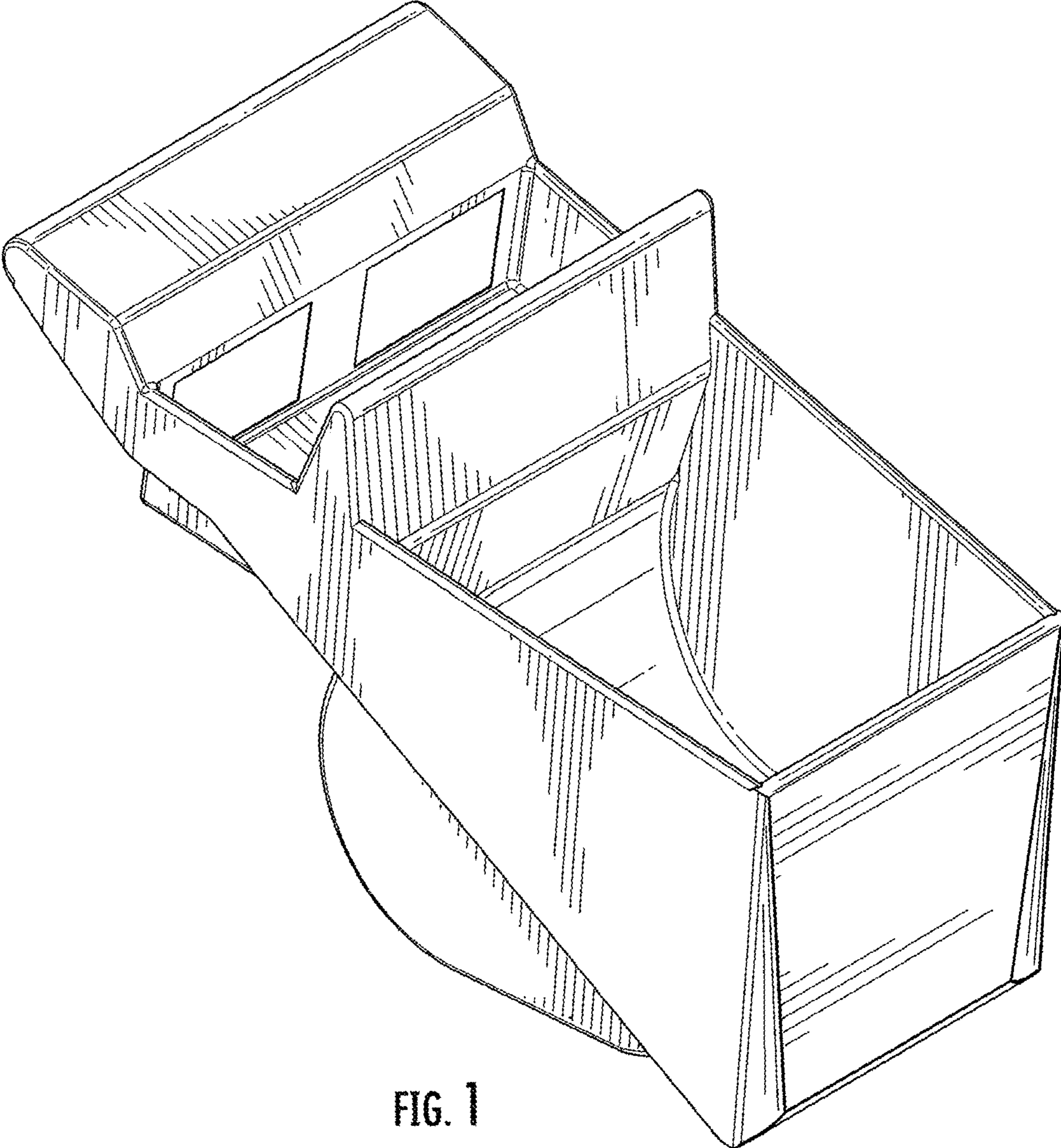


FIG. 1

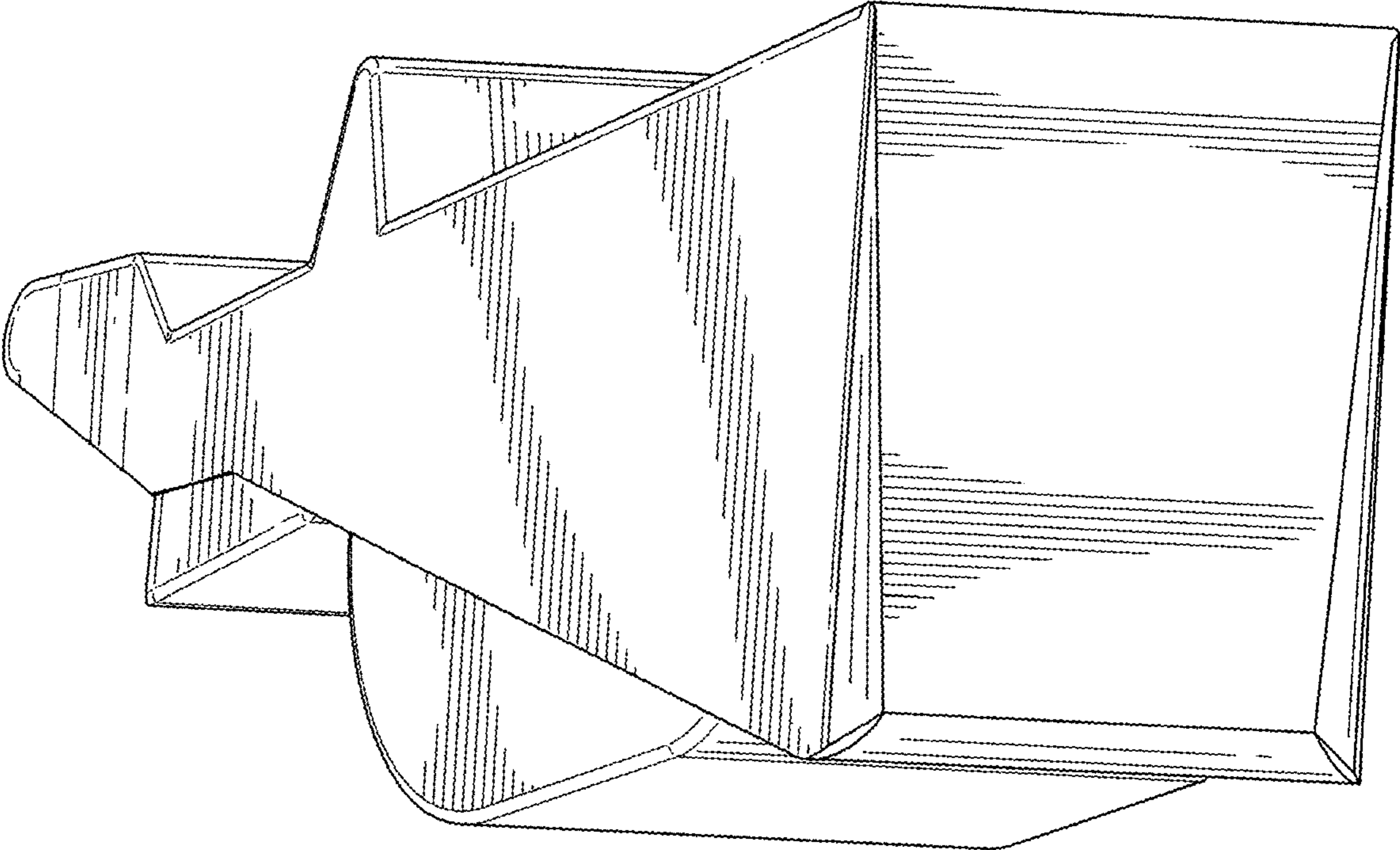


FIG. 2

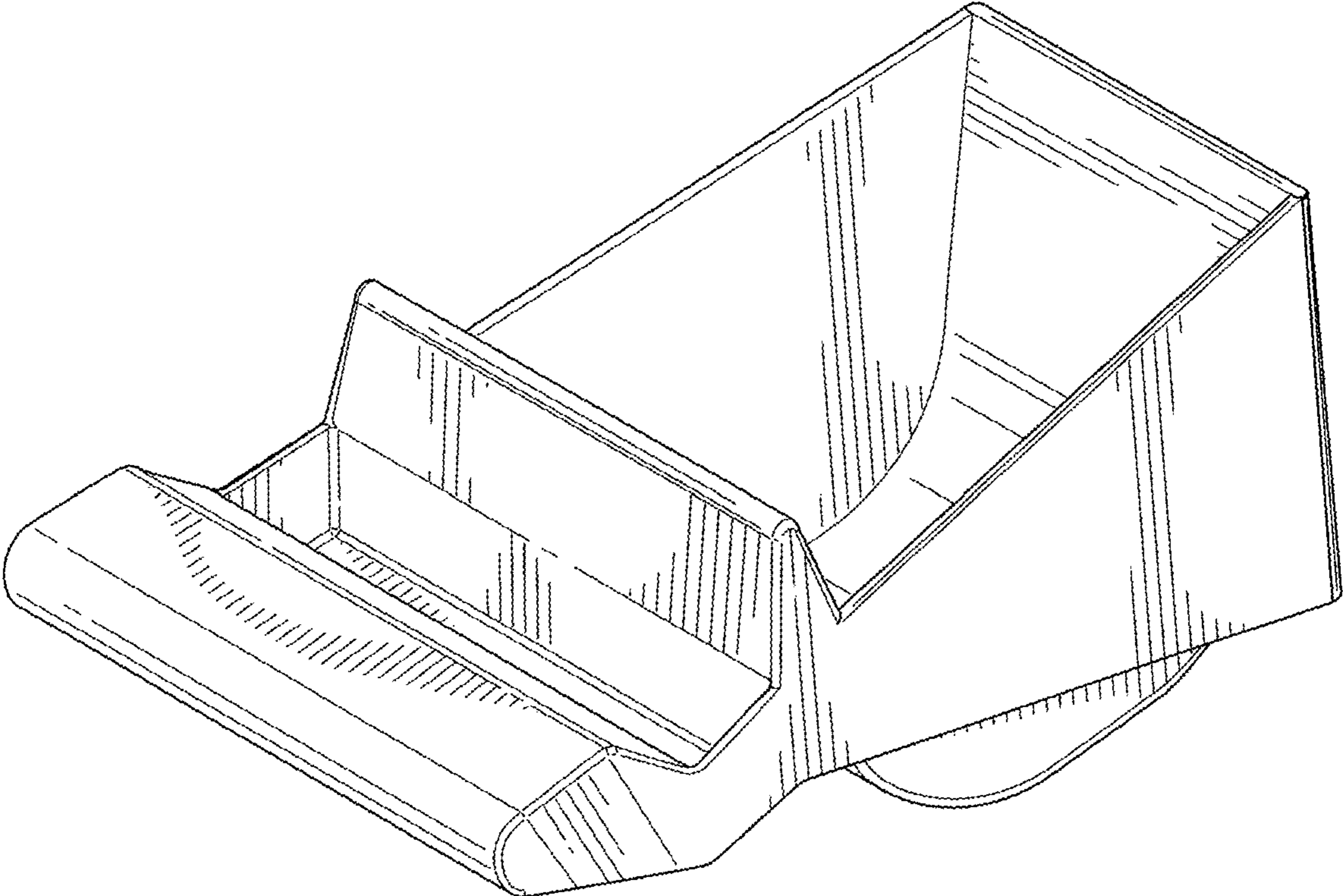


FIG. 3

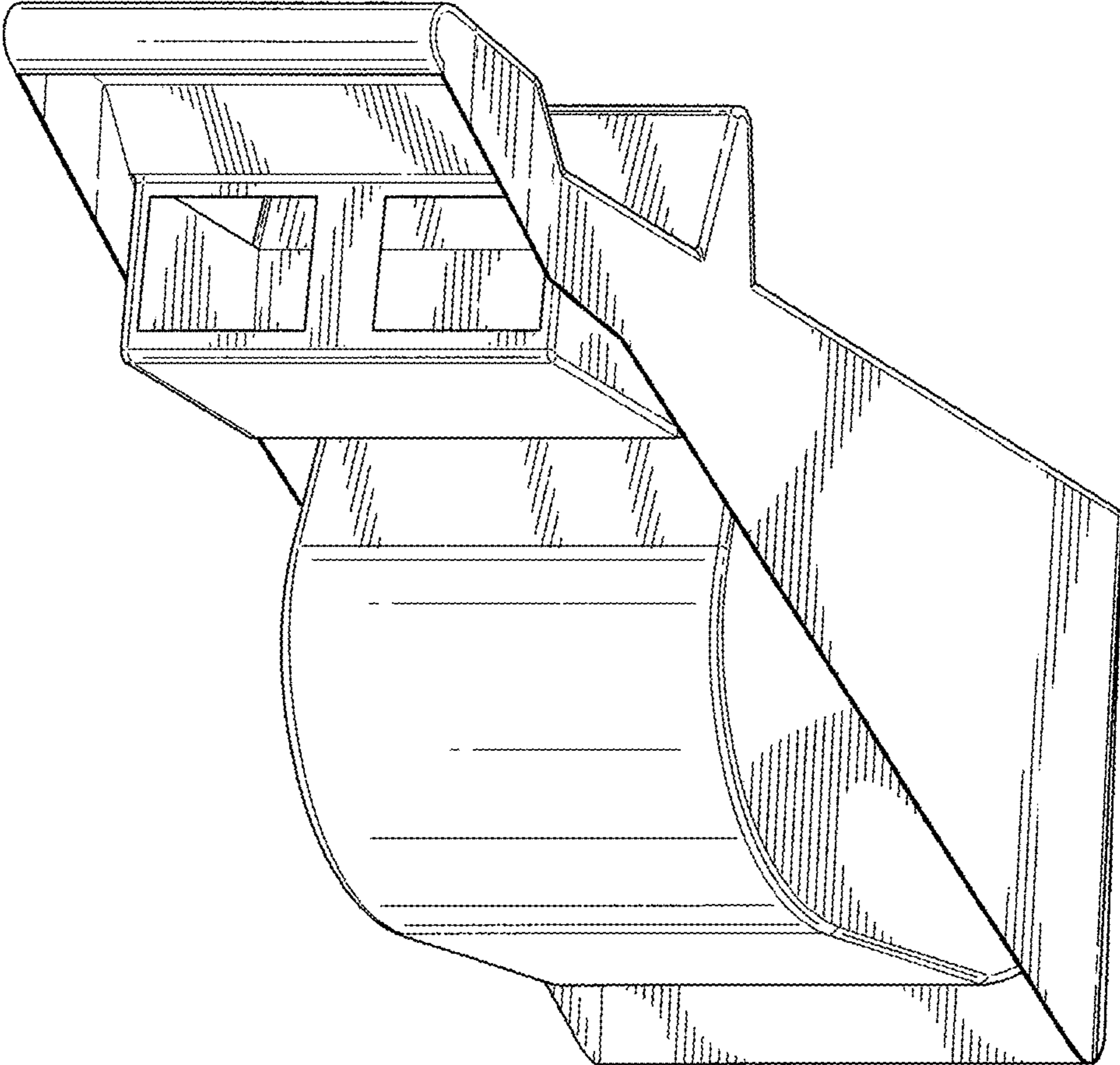


FIG. 4

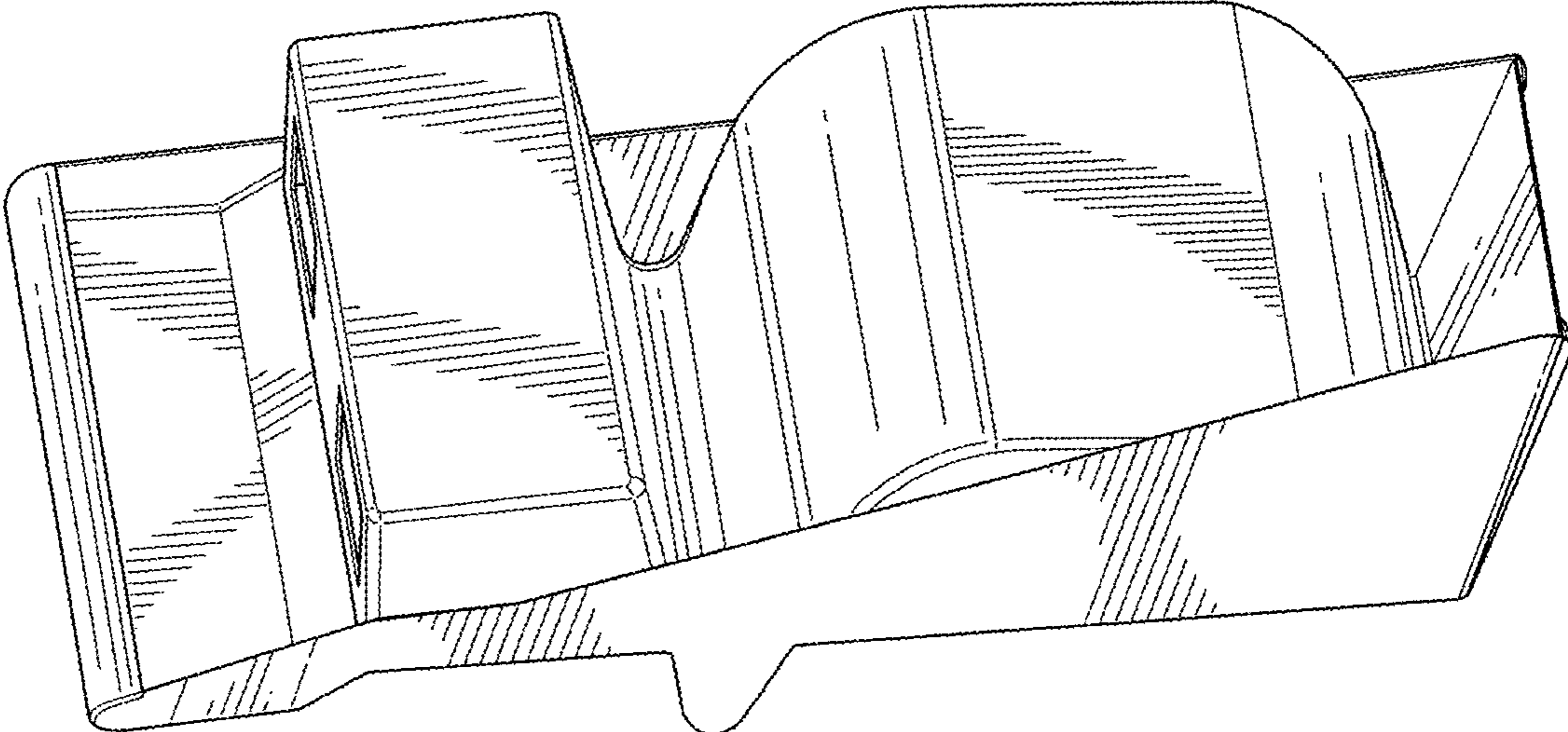


FIG. 5

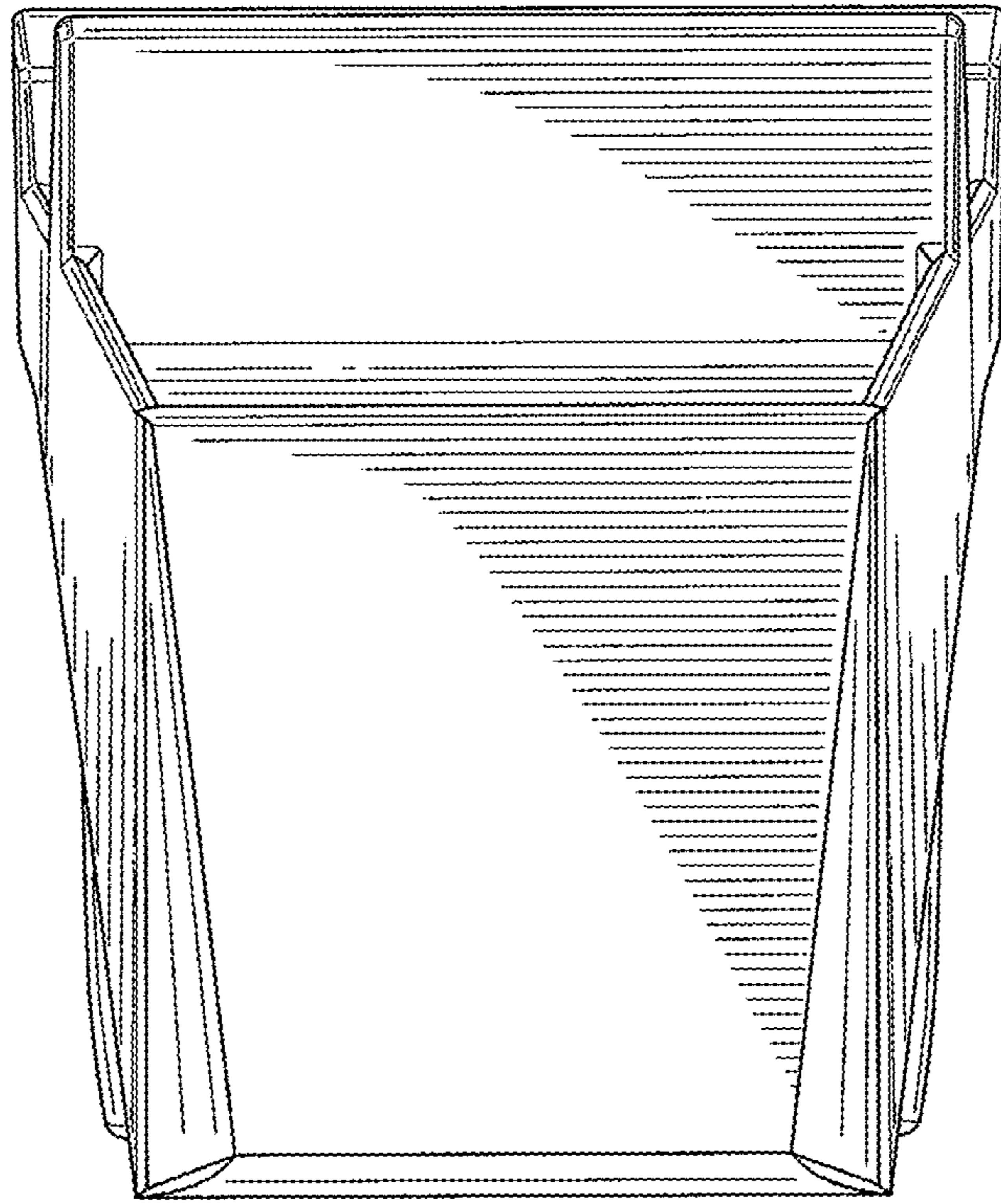


FIG. 6

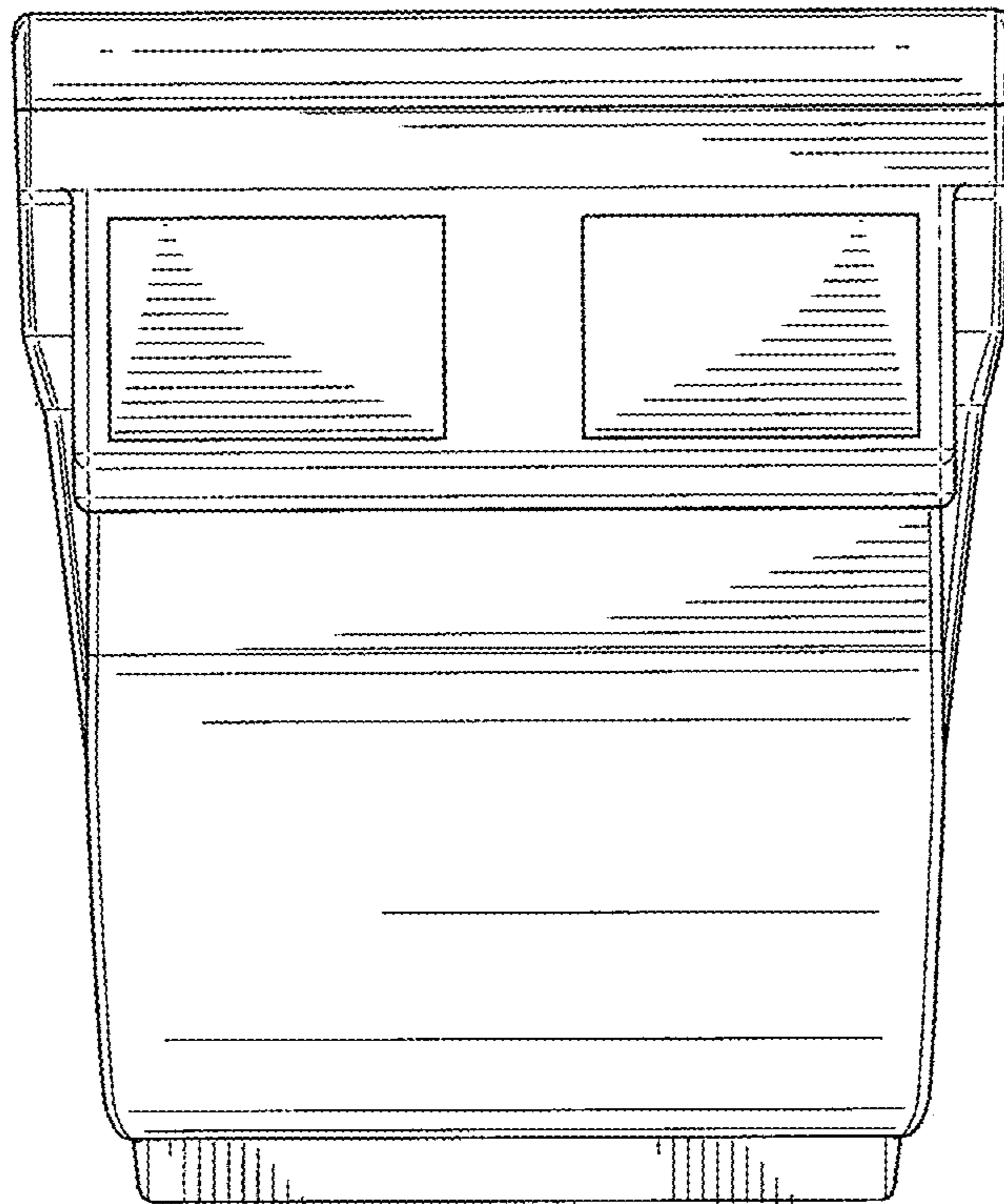


FIG. 7

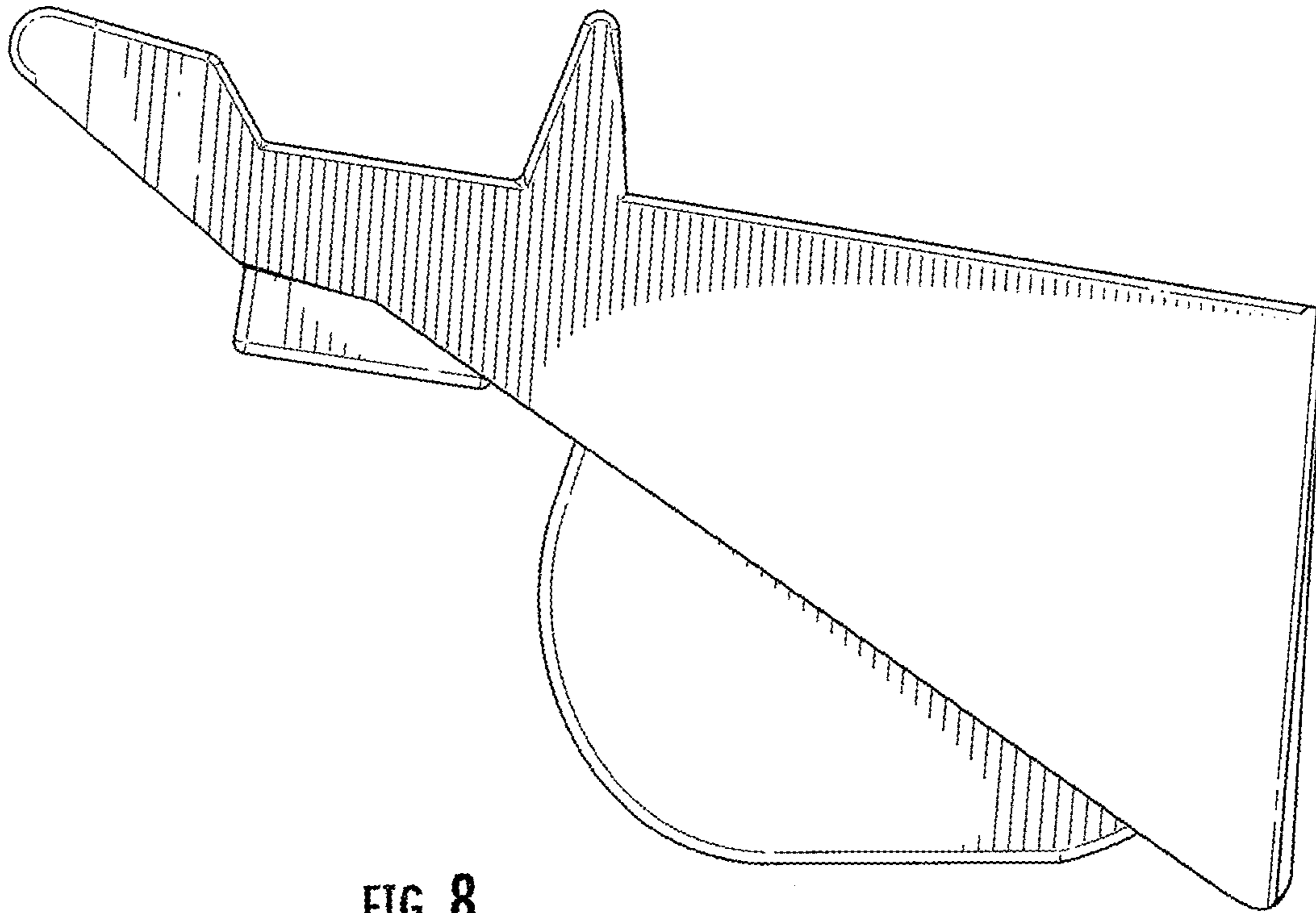


FIG. 8

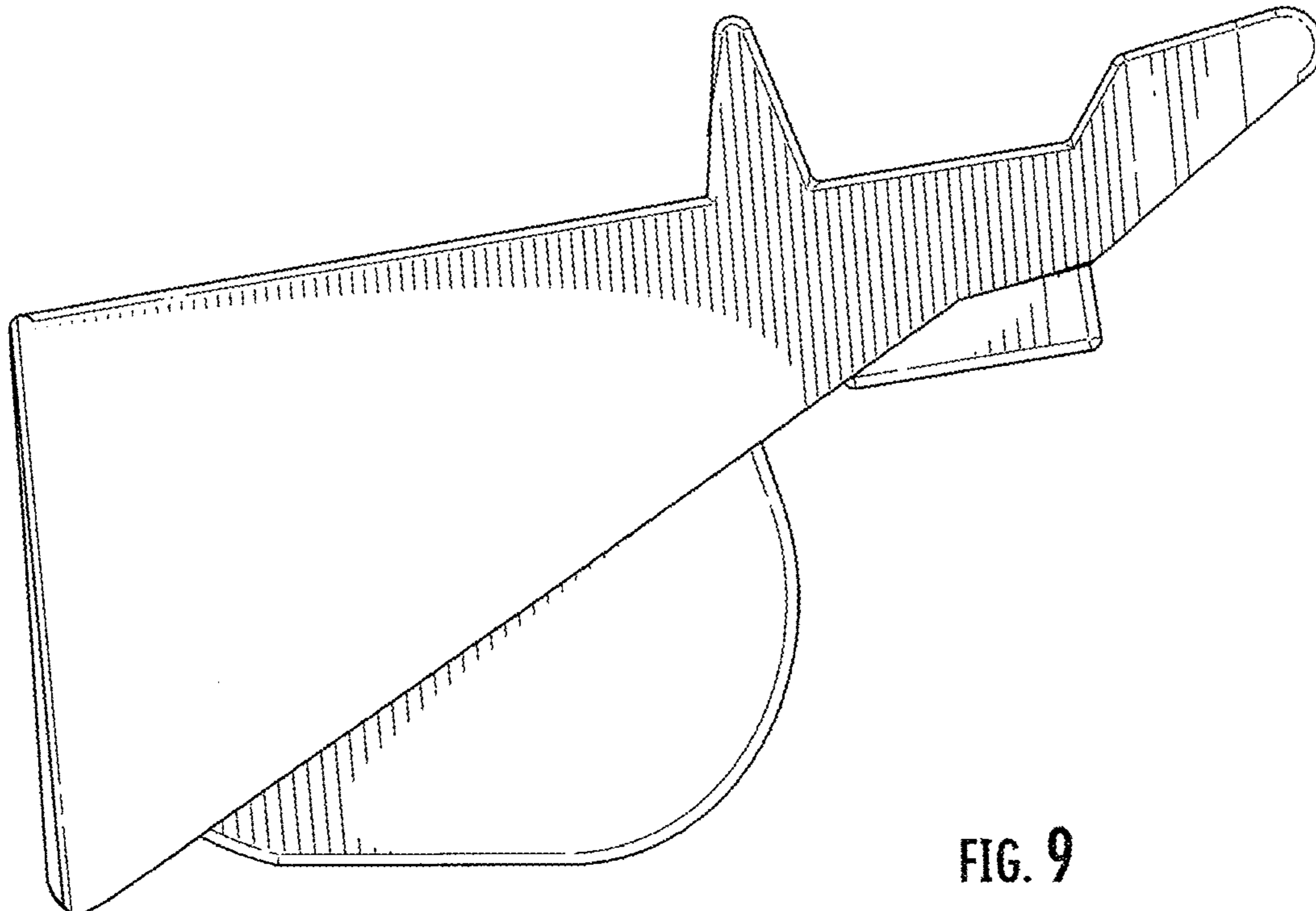


FIG. 9

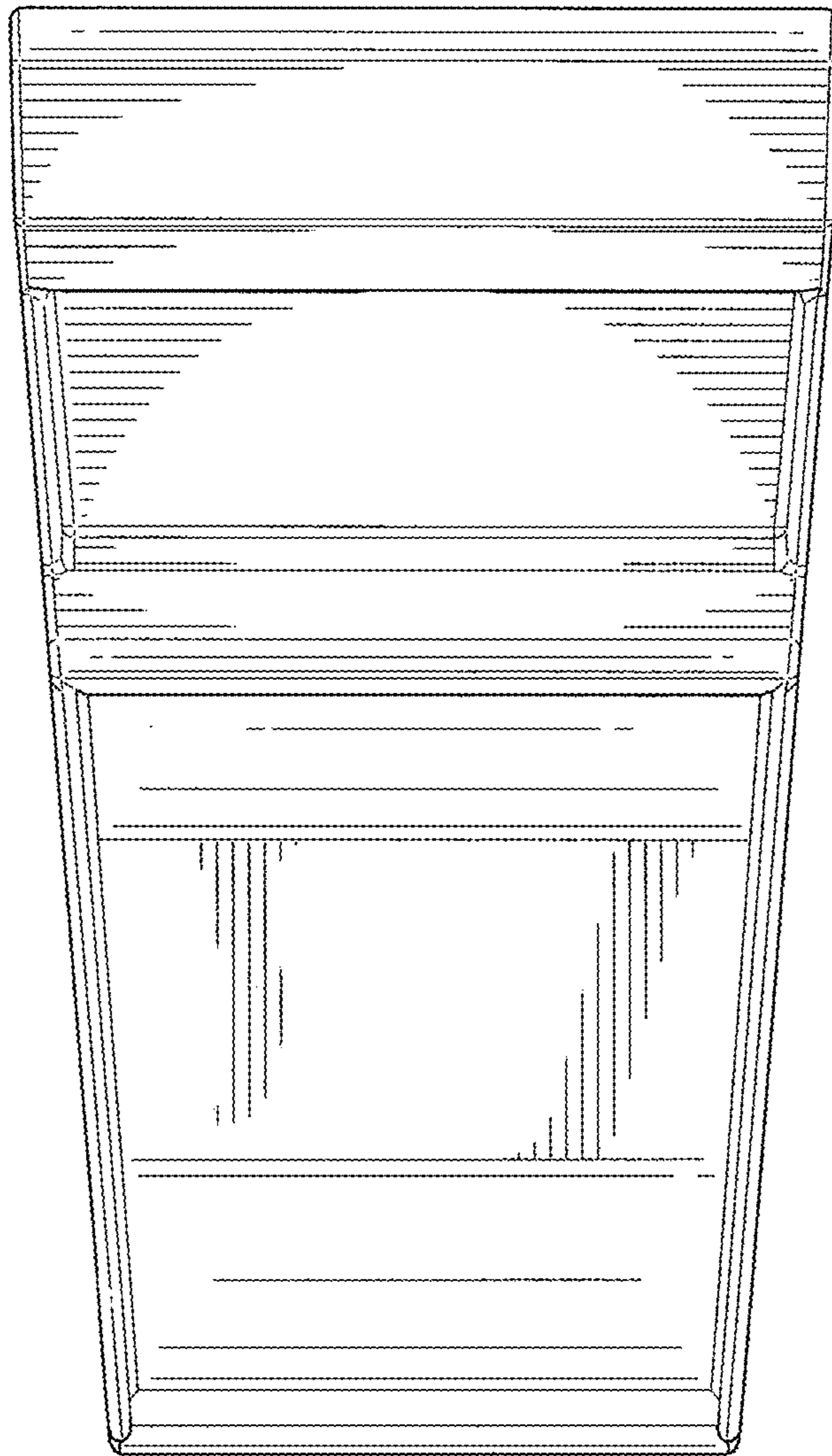


FIG. 10

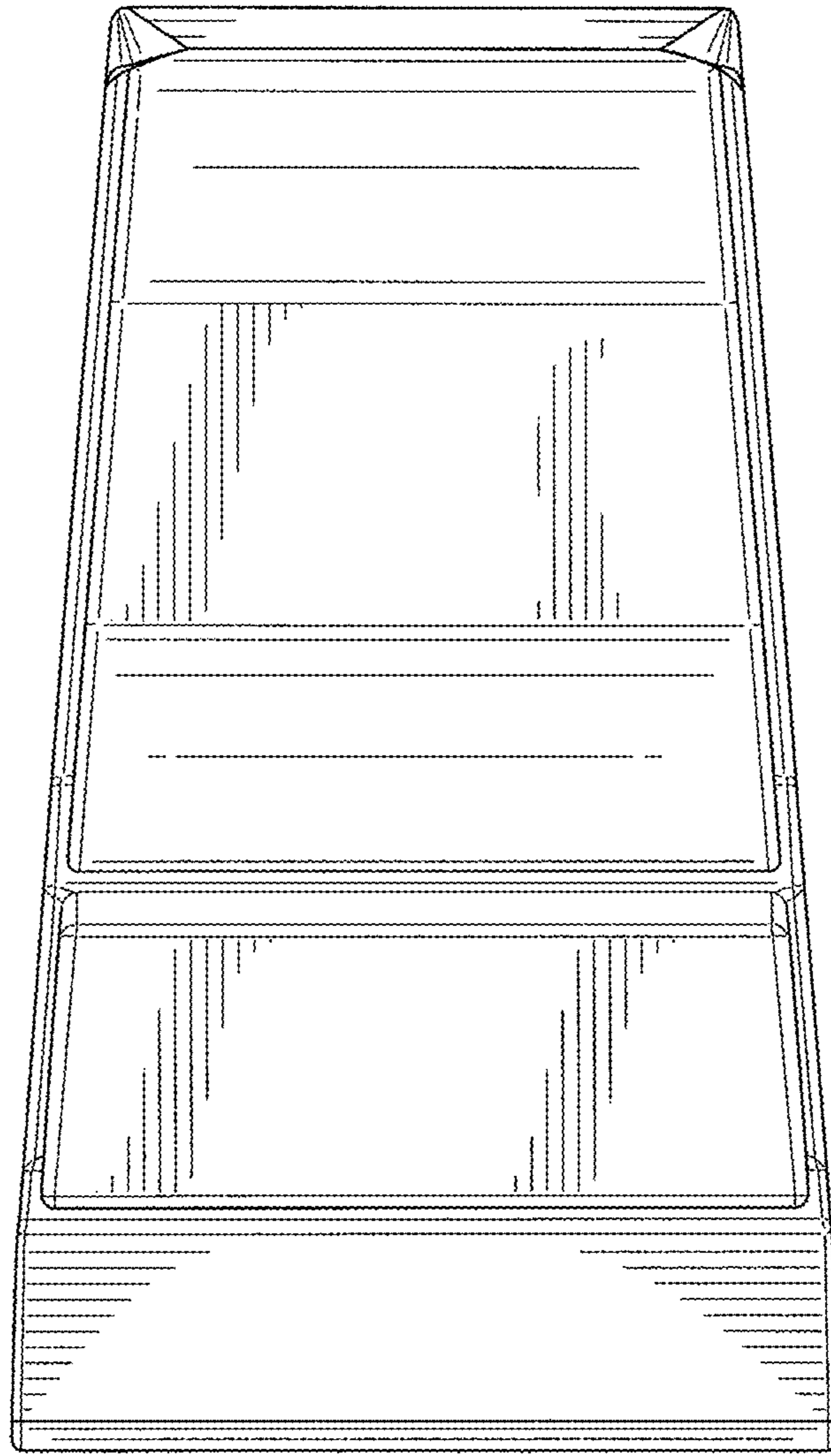


FIG. 11

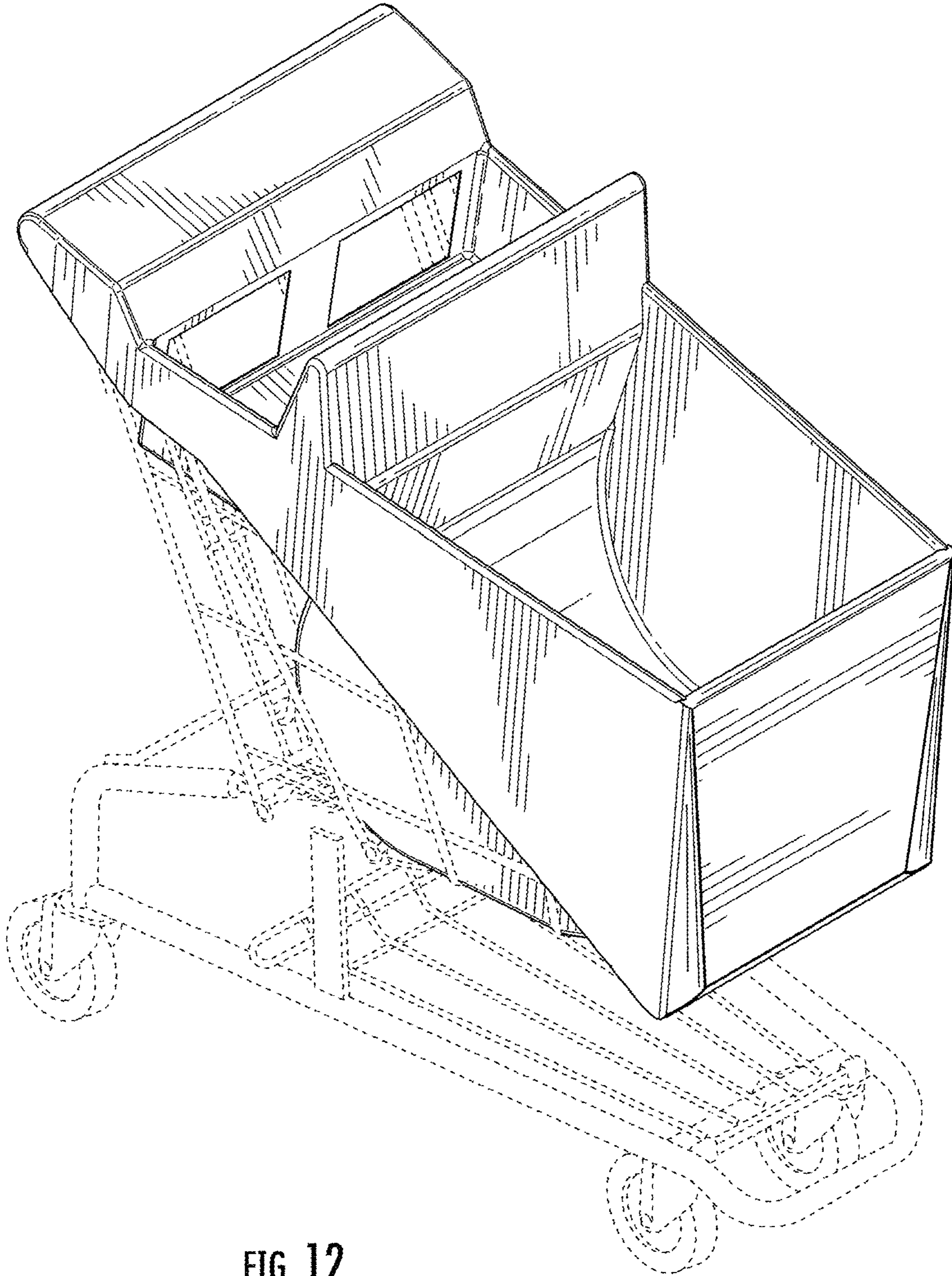


FIG. 12