

US00D890462S

(12) **United States Design Patent**
Ramm et al.

(10) **Patent No.:** **US D890,462 S**
(45) **Date of Patent:** **** *Jul. 14, 2020**

(54) **LID FOR A WASTE BIN**
(71) Applicant: **MGB Rentals Pty Ltd**, Glenelg (AU)
(72) Inventors: **Matthew James Norman Ramm**,
Black Forest (AU); **Paul John**
Heitmann, Black Forest (AU); **Michael**
John Brixton, Green Fields (AU)

D513,179 S * 12/2005 Gavin D34/11
D569,069 S * 5/2008 Ireland D34/11
7,784,642 B2 * 8/2010 Gavin B29C 51/087
220/826
8,079,493 B2 * 12/2011 Taylor B65F 1/16
206/505

* cited by examiner

(73) Assignee: **MGB Rentals Pty Ltd**, Glenelg, South
Australia (AU)

Primary Examiner — Gino Colan

(*) Notice: This patent is subject to a terminal dis-
claimer.

(74) *Attorney, Agent, or Firm* — Klarquist Sparkman,
LLP

(**) Term: **15 Years**

(57) **CLAIM**

(21) Appl. No.: **29/671,990**

We claim the ornamental design for a lid for a waste bin, as
shown and described.

(22) Filed: **Nov. 30, 2018**

(30) **Foreign Application Priority Data**

May 30, 2018 (AU) 201813257

(51) **LOC (12) Cl.** **09-09**

(52) **U.S. Cl.**
USPC **D34/11**

(58) **Field of Classification Search**
USPC D34/1, 3-11, 12, 27; 220/908, 200, 253,
220/836, 844, 523, 623, 810, 263, 826;
206/505, 507
CPC B65F 1/1615; B65F 1/163; B65F 1/122;
B65F 2001/1653
See application file for complete search history.

DESCRIPTION

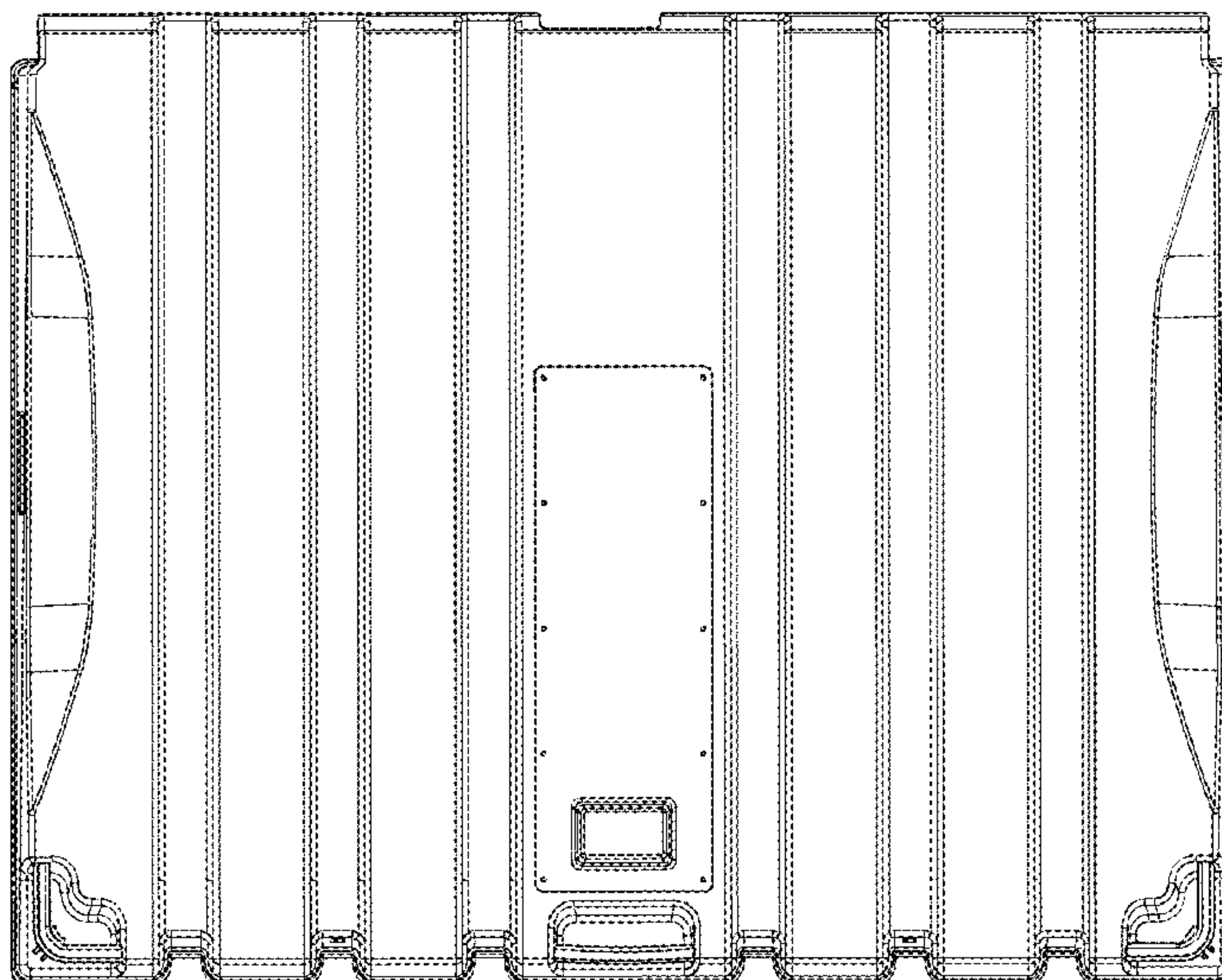
FIG. 1 is a top plan view of a lid for a waste bin showing our
new design;
FIG. 2 is a front elevational view thereof;
FIG. 3 is a rear elevational view thereof;
FIG. 4 is a left side elevational view thereof;
FIG. 5 is a right side elevational view thereof;
FIG. 6 is a bottom plan view thereof;
FIG. 7 is a top left perspective view thereof;
FIG. 8 is a bottom right perspective view thereof;
FIG. 9 is a bottom left perspective view thereof; and,
FIG. 10 is a top right perspective view thereof.

(56) **References Cited**

U.S. PATENT DOCUMENTS

D340,560 S * 10/1993 Taylor D34/10
D491,329 S * 6/2004 Taylor D34/11
D491,708 S * 6/2004 Taylor D34/11
6,968,972 B2 * 11/2005 Taylor B65F 1/16
206/508

1 Claim, 6 Drawing Sheets



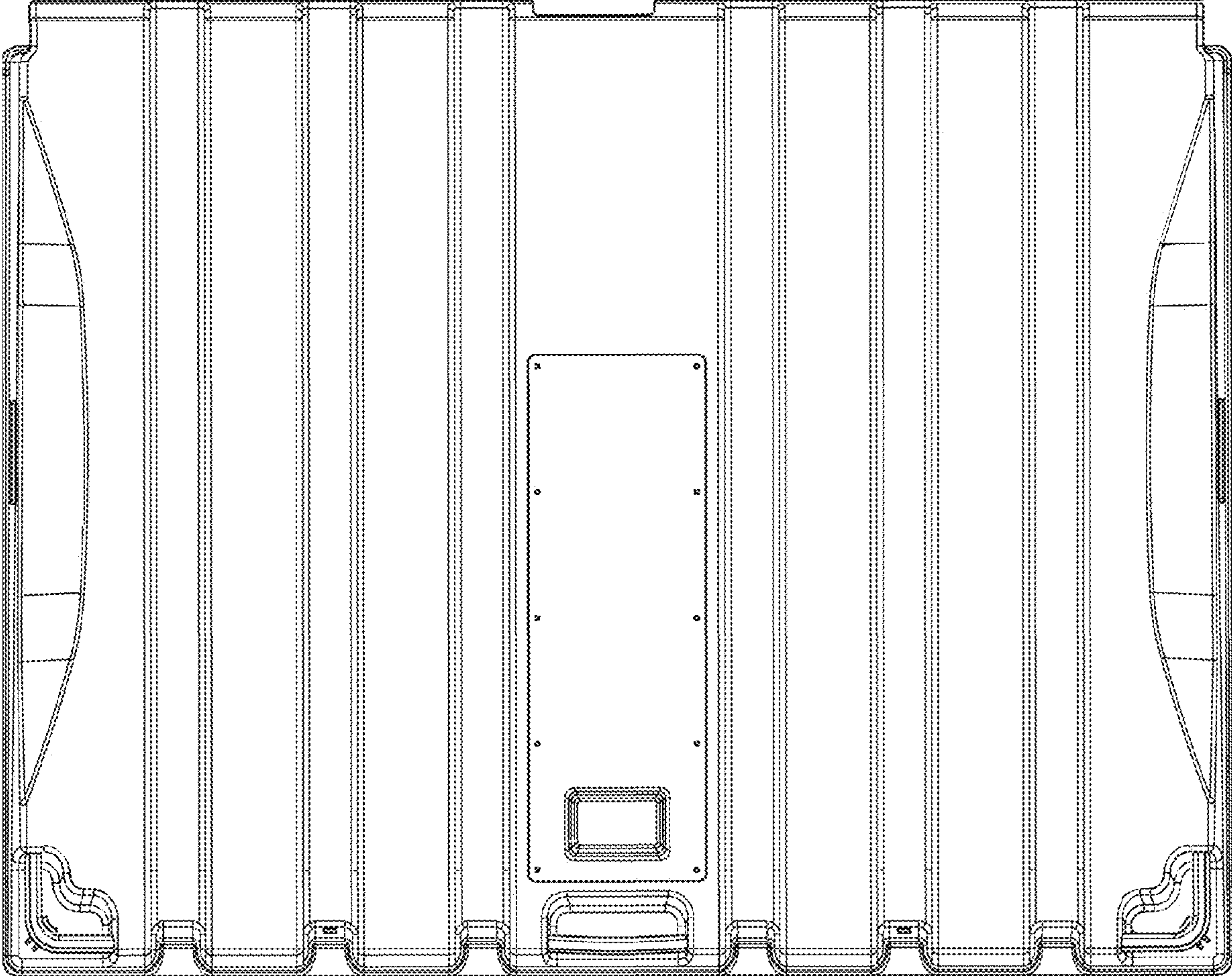


FIG. 1



FIG. 2

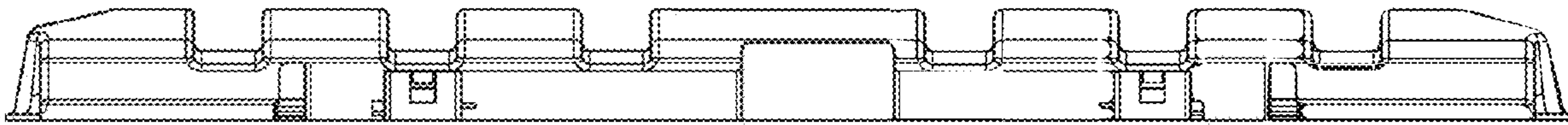


FIG. 3

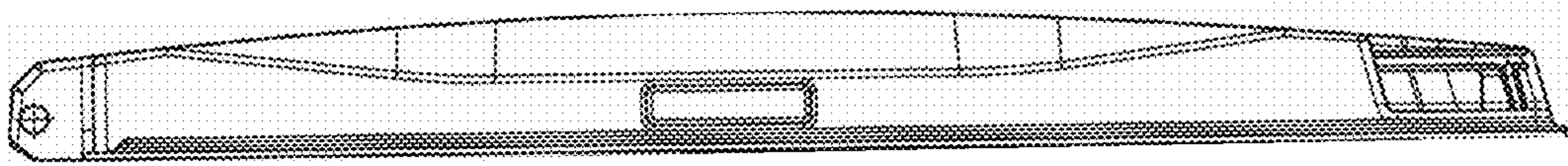


FIG. 4

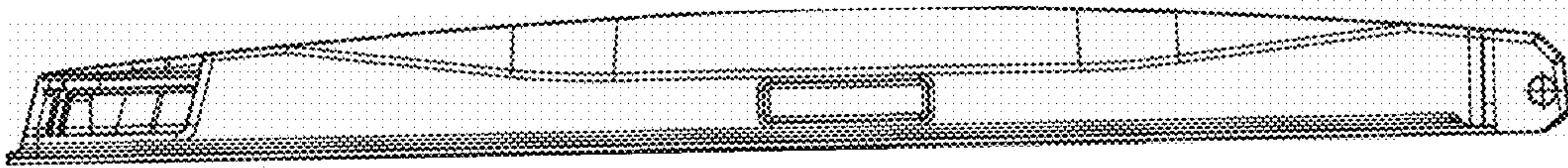


FIG. 5

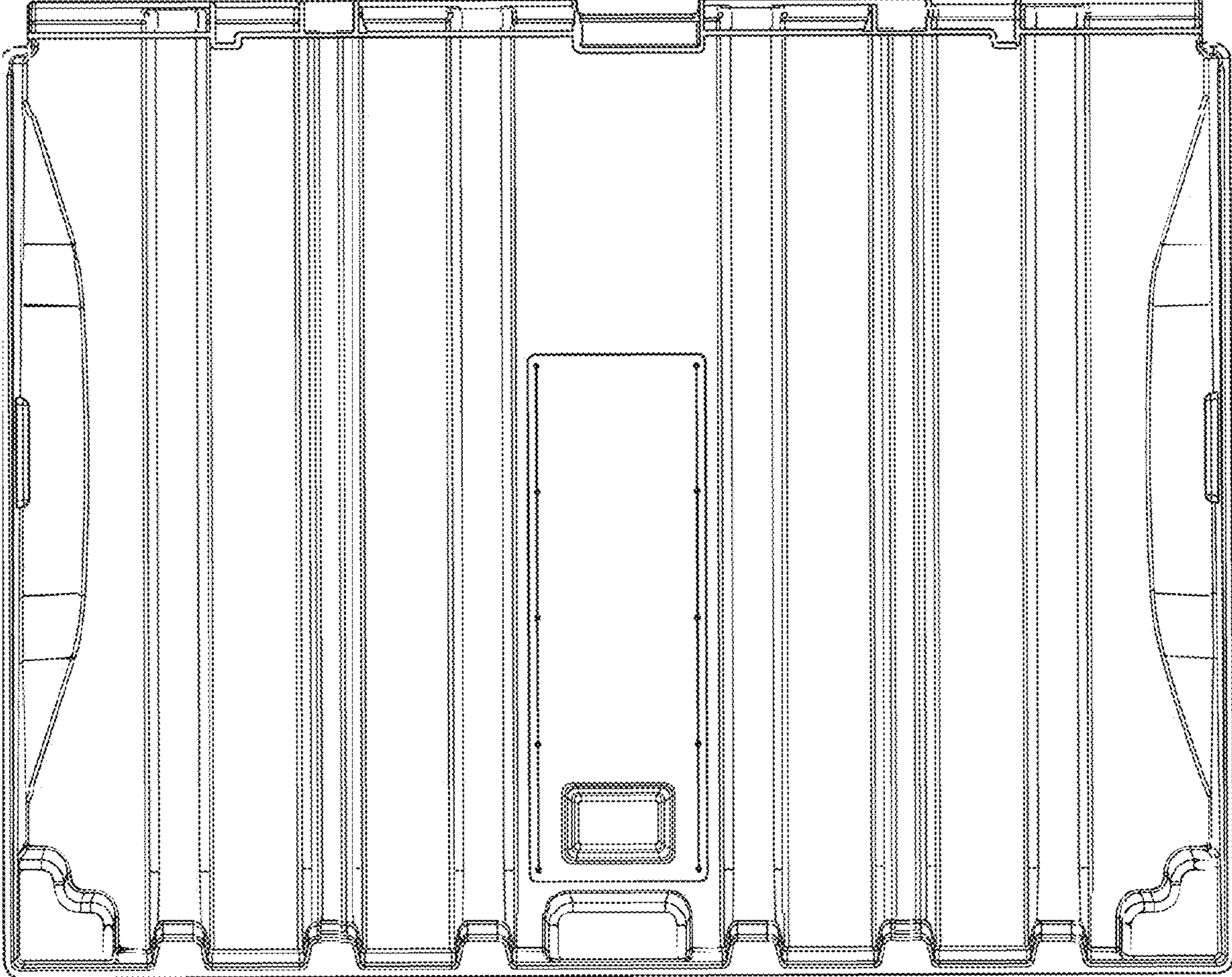


FIG. 6

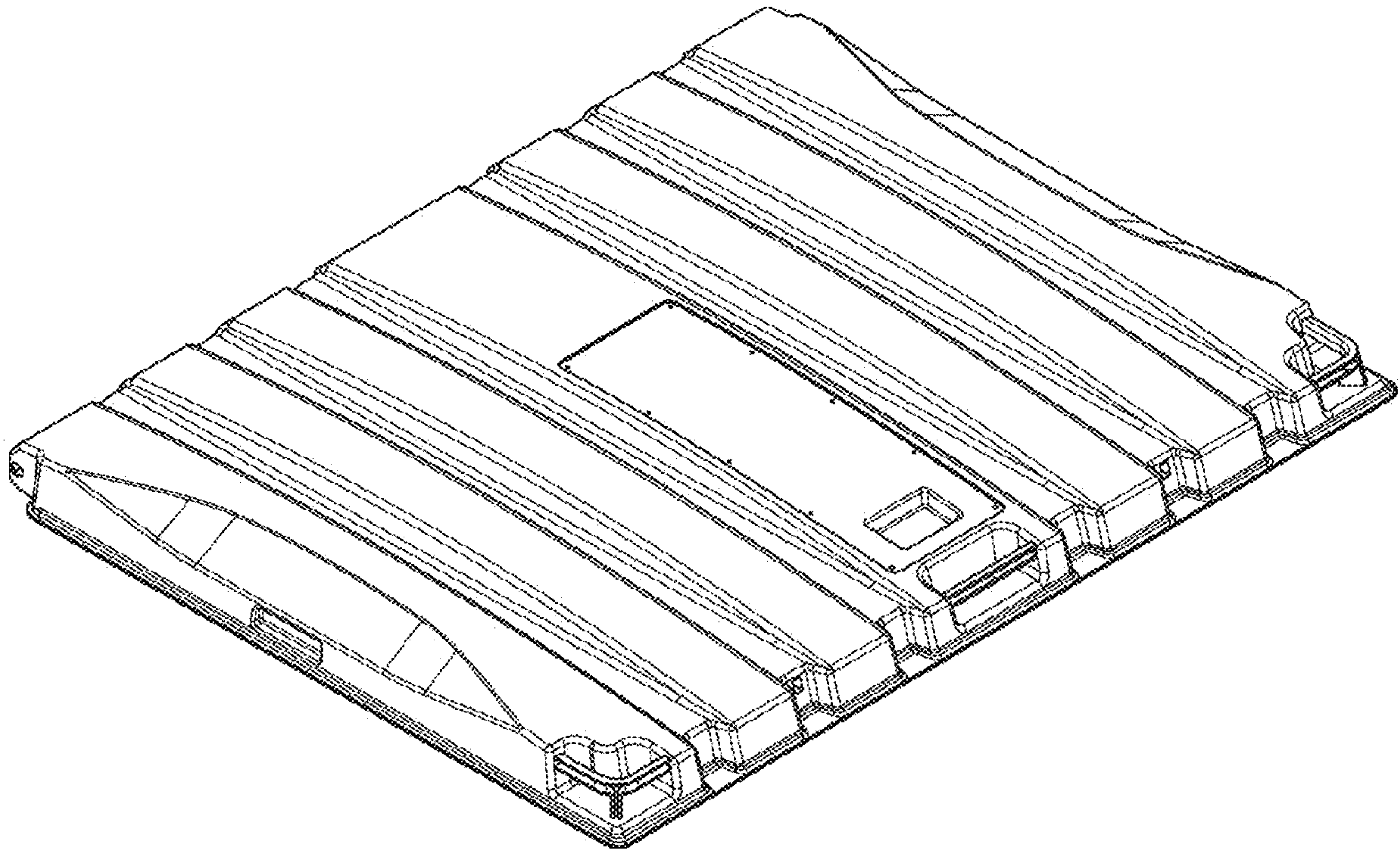


FIG. 7

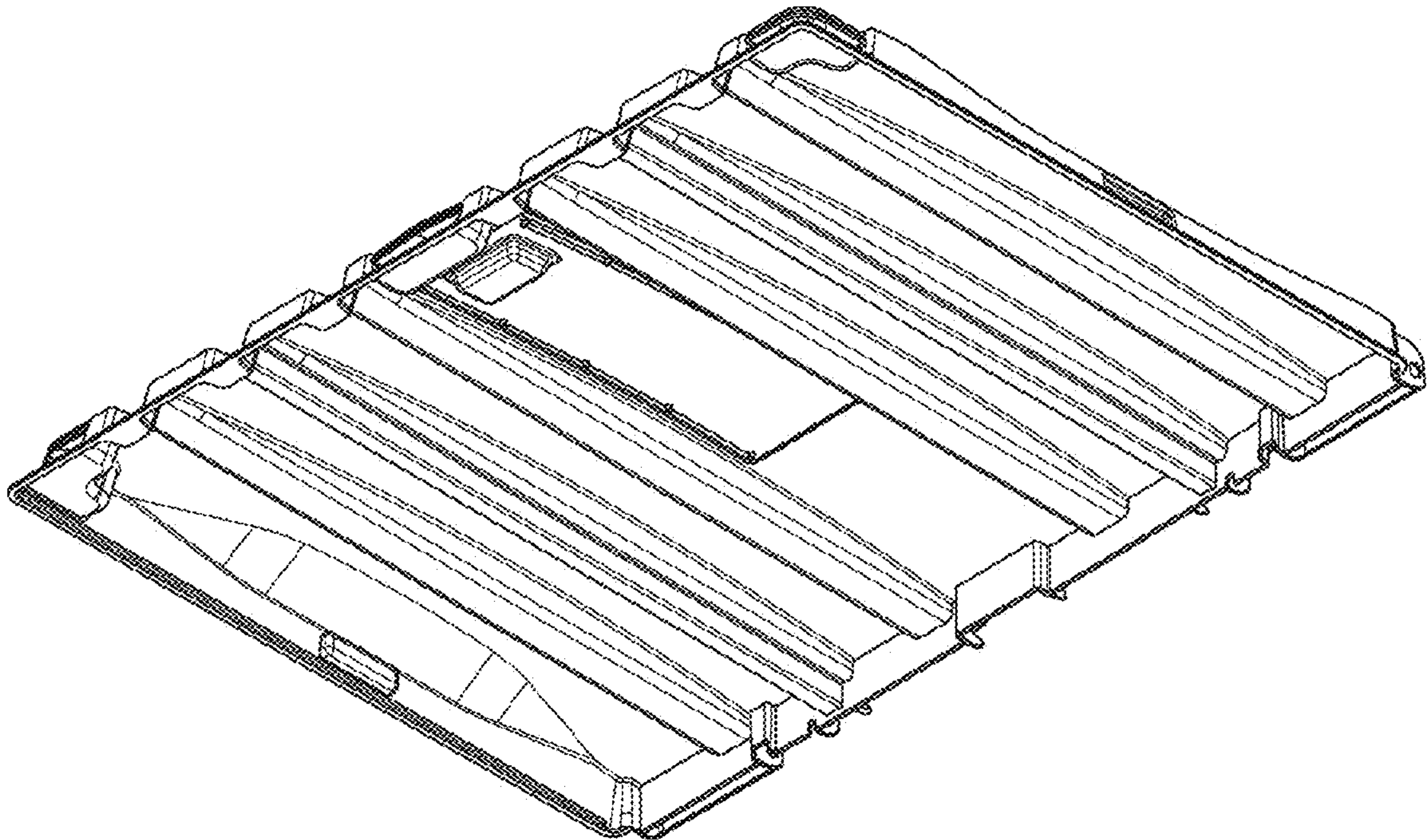


FIG. 8

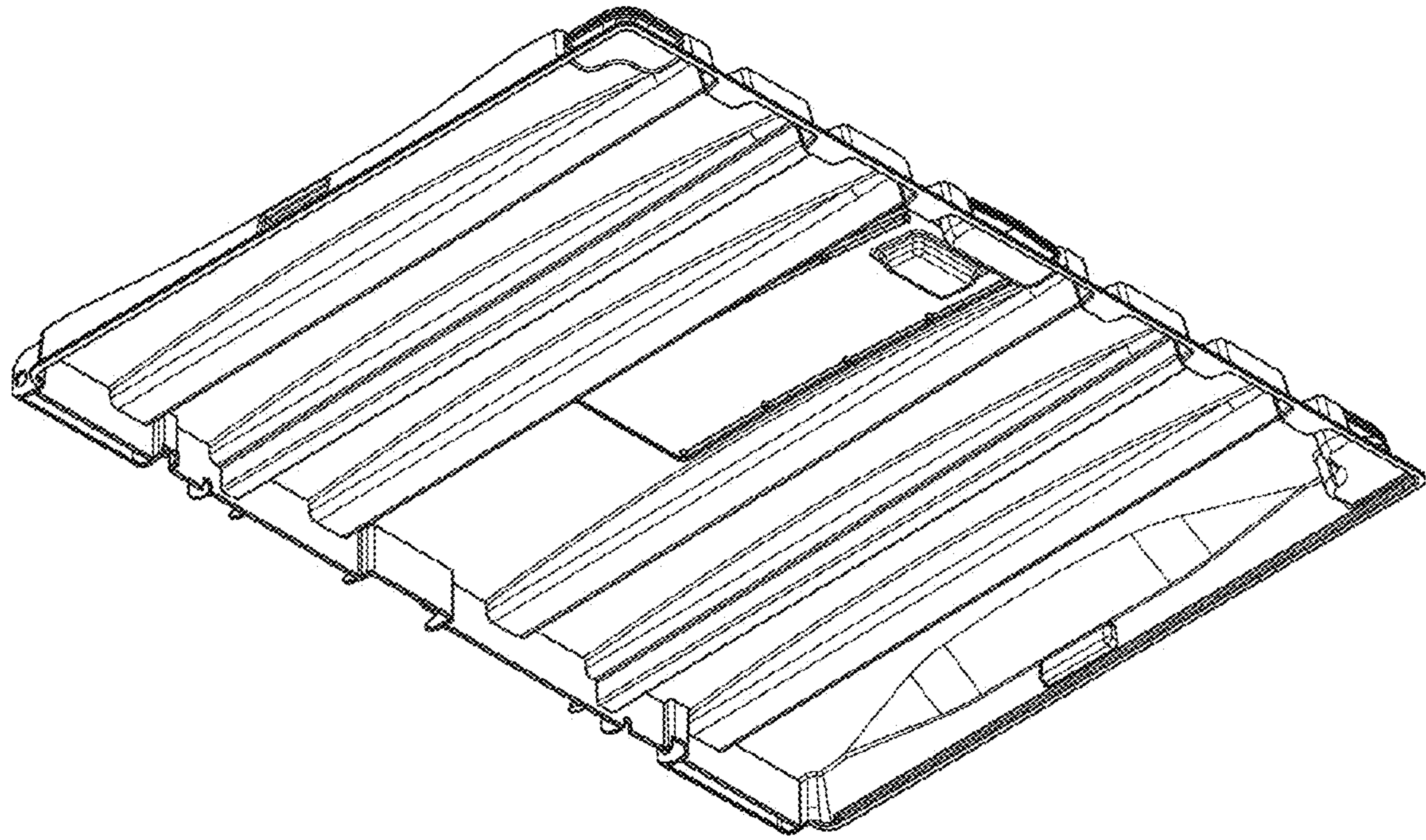


FIG. 9

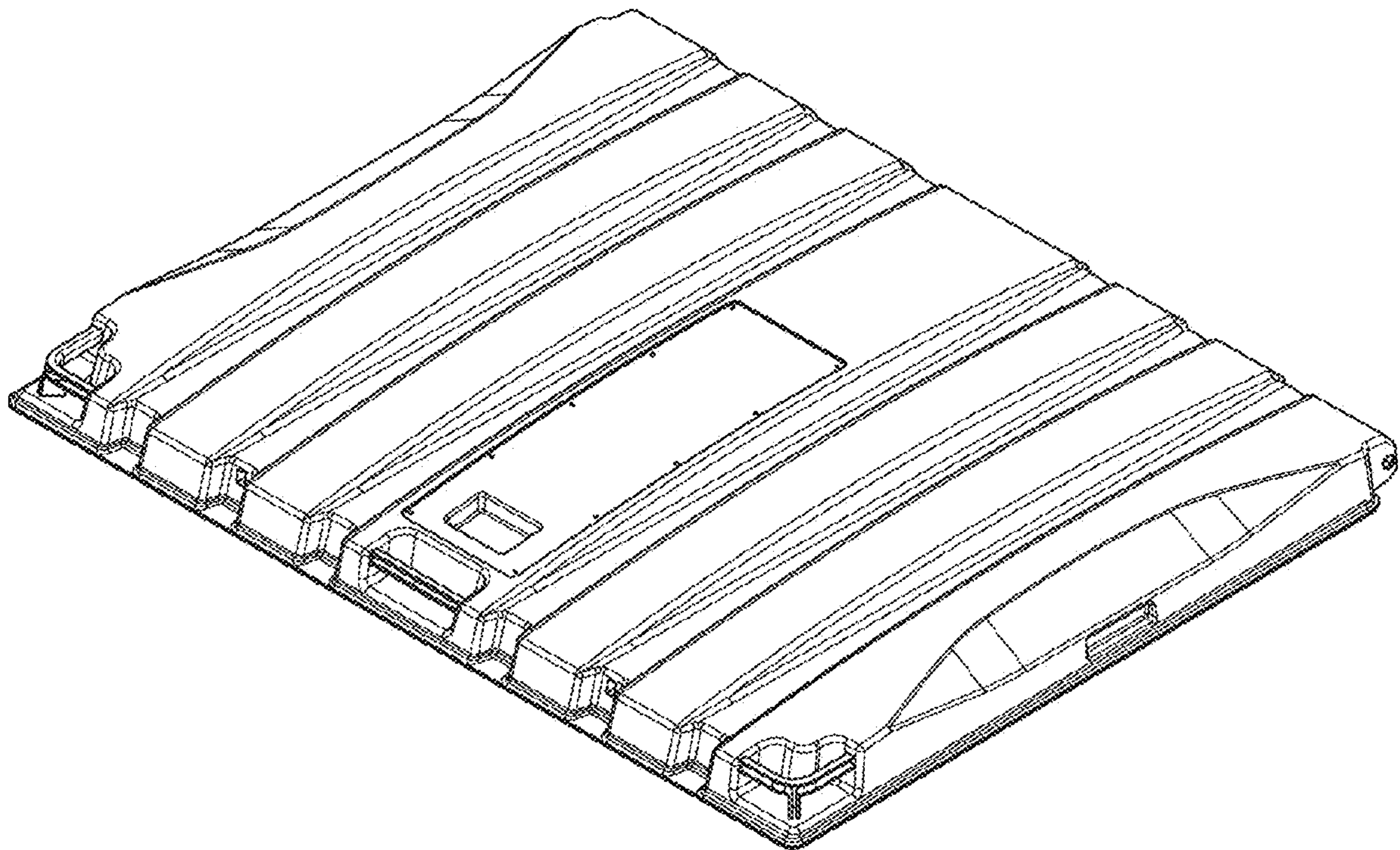


FIG. 10