



US00D890461S

(12) **United States Design Patent**
Eilmus et al.

(10) **Patent No.:** **US D890,461 S**
(45) **Date of Patent:** **** Jul. 14, 2020**

(54) **SINK ACCESSORY**

2,925,919 A 2/1960 Wilson
D189,982 S * 3/1961 Christoffersen D6/675.5
D194,056 S 11/1962 Chapman
(Continued)

(71) Applicant: **Kohler Co.**, Kohler, WI (US)

(72) Inventors: **Niels J. Eilmus**, Sheboygan, WI (US);
Christopher J. Santos, Sheboygan Falls, WI (US)

(73) Assignee: **KOHLER CO.**, Kohler, WI (US)

(**) Term: **15 Years**

(21) Appl. No.: **29/645,139**

(22) Filed: **Apr. 24, 2018**

Related U.S. Application Data

(62) Division of application No. 29/548,784, filed on Dec. 16, 2015, now Pat. No. Des. 816,932.

(51) **LOC (12) Cl.** **07-05**

(52) **U.S. Cl.**

USPC **D32/55**

(58) **Field of Classification Search**

USPC D6/536-537, 540, 566, 567, 320, 533,
D6/524, 525; 211/13.1, 74, 71.01, 86.01,
211/75, 88.01, 90.01, 90.03, 106, 119,
211/126.1, 133.5, 181.1, 134, 87.01;
248/206.2-206.3; D3/306; D32/55-56;
D7/637
CPC . E03C 1/186; E03C 1/18; A47G 29/00; A47L
17/00; A47J 47/20; C04B 41/009; C04B
41/52

See application file for complete search history.

(56) **References Cited**

U.S. PATENT DOCUMENTS

477,137 A 6/1892 Mesick
611,561 A 9/1898 Cook
D30,815 S * 5/1899 Hart D12/115
1,968,399 A 7/1934 James
D97,654 S 11/1935 Watral
D175,245 S 8/1955 Bertone

FOREIGN PATENT DOCUMENTS

CN 2011/92293 2/2009
GB 2493937 2/2013

OTHER PUBLICATIONS

U.S. Appl. No. 29/548,009, filed Dec. 9, 2015, Eilmus et al.

Primary Examiner — Nathan M Johnston

(74) *Attorney, Agent, or Firm* — Foley & Lardner LLP

(57) **CLAIM**

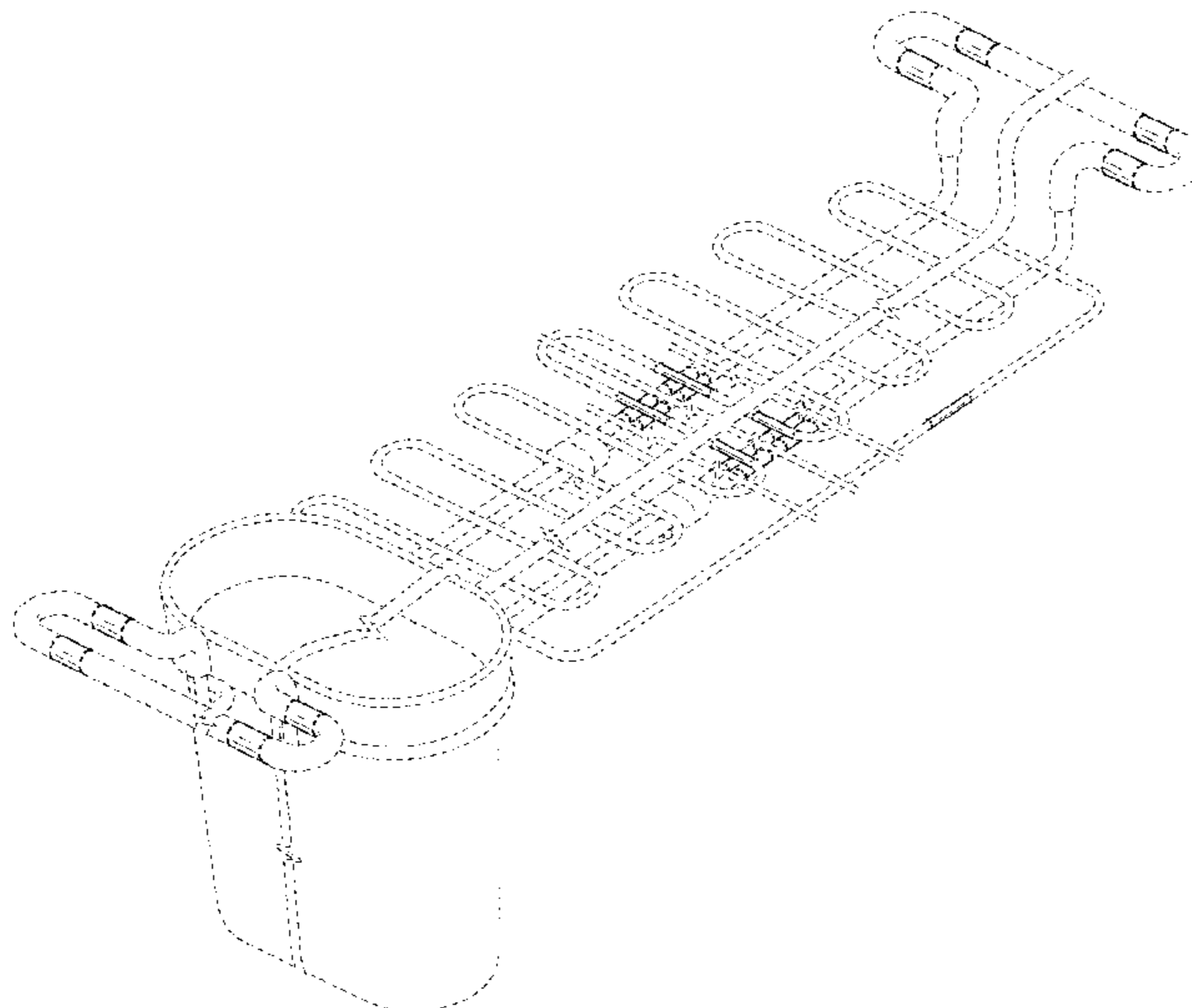
We claim the ornamental design for a sink accessory, as shown and described.

DESCRIPTION

FIG. 1 is a top, front, left perspective view of an embodiment of the claimed design;
FIG. 2 is a bottom, front, right perspective view thereof;
FIG. 3 is a front elevation view thereof;
FIG. 4 is a rear elevation view thereof;
FIG. 5 is a left side elevation view thereof;
FIG. 6 is a right side elevation view thereof;
FIG. 7 is a top plan view thereof; and,
FIG. 8 is a bottom plan view thereof.

The ornamental design which is claimed is shown in solid lines in the drawings. The broken lines in the drawings form no part of the claimed design. Broken lines formed by equal length dashes show unclaimed subject matter. Broken lines formed of unequal length dashes (i.e., dash-dot) define bounds of the claimed design. The sink accessory is shown with a symbolic break in its length and width. The appearance of any portion of the article between the break lines forms no part of the claimed design.

1 Claim, 7 Drawing Sheets



(56)

References Cited

U.S. PATENT DOCUMENTS

3,154,196 A 10/1964 Loska, Jr.
 3,709,452 A 1/1973 Fenny
 4,053,954 A * 10/1977 Chapman A47K 3/004
 4/559
 D247,416 S 3/1978 Berman et al.
 4,143,845 A 3/1979 Harris
 D268,878 S 5/1983 Taylor
 D306,926 S 3/1990 Heller et al.
 D308,924 S 7/1990 VanNoord
 D362,943 S 10/1995 Licari
 5,547,087 A 8/1996 Licari
 5,711,436 A 1/1998 Moeller
 5,865,325 A 2/1999 Comstock
 D416,364 S 11/1999 Newhall
 D417,809 S * 12/1999 Hofman D6/525
 D439,716 S 3/2001 Wright
 D441,996 S * 5/2001 Wright D6/525
 6,341,704 B1 1/2002 Michel
 D473,359 S 4/2003 Joseph
 D483,233 S * 12/2003 Chen D7/704
 D518,615 S 4/2006 Yang et al.
 D518,936 S 4/2006 Yang et al.
 D520,699 S 5/2006 Yang et al.
 D554,318 S 10/2007 Yang et al.
 D583,119 S 12/2008 Sofy et al.
 D595,914 S 7/2009 Housley

D608,112 S 1/2010 Eilmus
 7,766,175 B2 * 8/2010 Jadhav A47L 15/505
 211/41.9
 D630,396 S 1/2011 Yang et al.
 D634,184 S 3/2011 Koehn
 8,127,942 B2 3/2012 Meshkinfam
 8,167,147 B2 5/2012 Frankel et al.
 D687,610 S 8/2013 Jönsson et al.
 D693,081 S 11/2013 Yang et al.
 D695,982 S 12/2013 Jönsson
 D695,983 S 12/2013 Jönsson et al.
 D706,009 S 5/2014 Cooper
 D725,400 S * 3/2015 Costello D6/515
 9,022,329 B2 5/2015 Gallup
 D747,056 S * 1/2016 Eilmus D32/55
 D747,057 S 1/2016 Eilmus
 D747,058 S 1/2016 Eilmus et al.
 D760,983 S 7/2016 Eilmus
 D760,984 S 7/2016 Eilmus
 D761,512 S 7/2016 Eilmus
 D773,845 S * 12/2016 Chang D6/537
 D818,776 S * 5/2018 Morgan D7/600.1
 2001/0047968 A1 * 12/2001 Wright A47L 19/04
 211/41.3
 2010/0275368 A1 11/2010 Miller et al.
 2011/0303626 A1 12/2011 Roenne
 2012/0266377 A1 10/2012 Eilmus
 2014/0259377 A1 * 9/2014 Eilmus A47J 47/20
 4/639

* cited by examiner

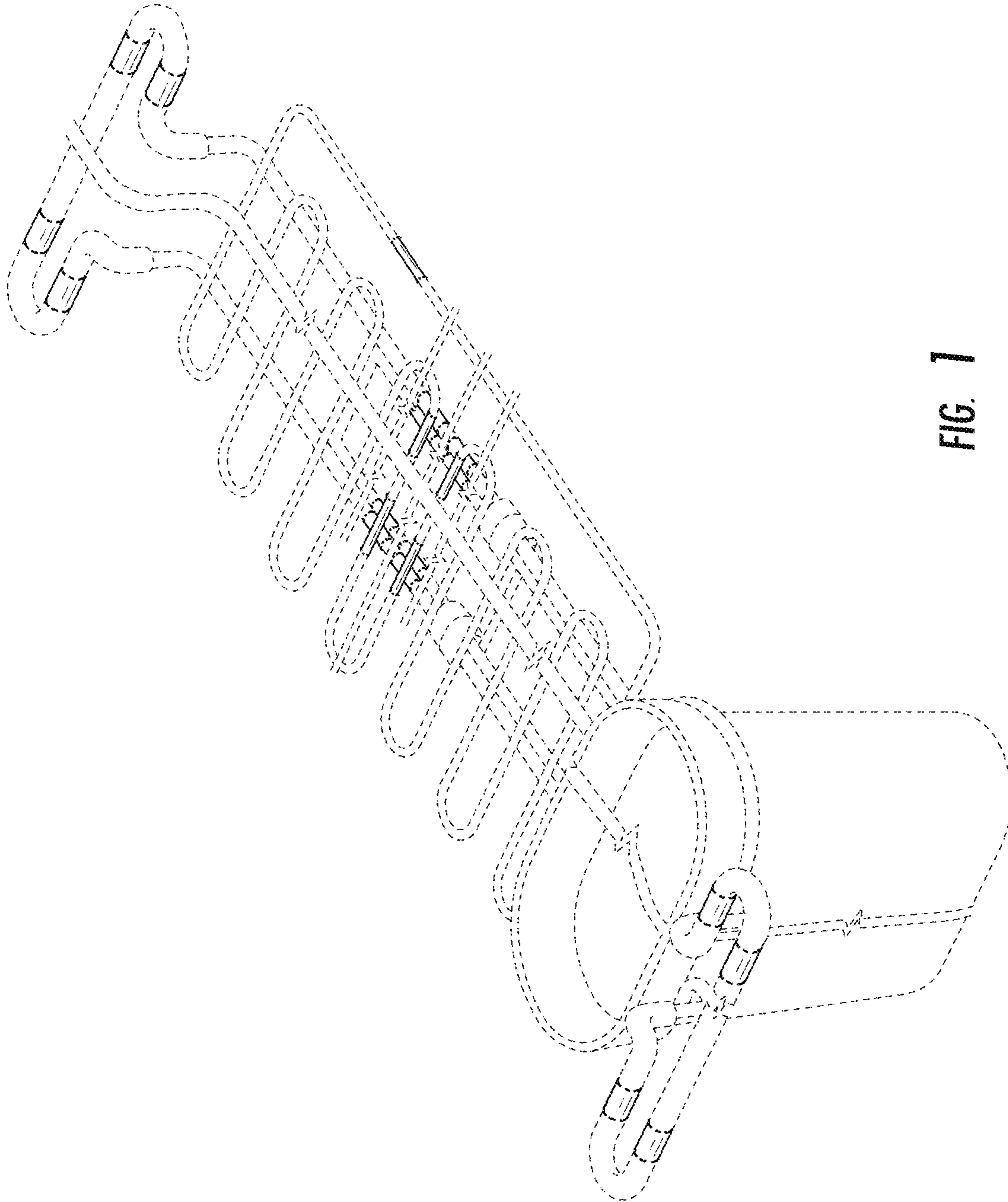


FIG. 1

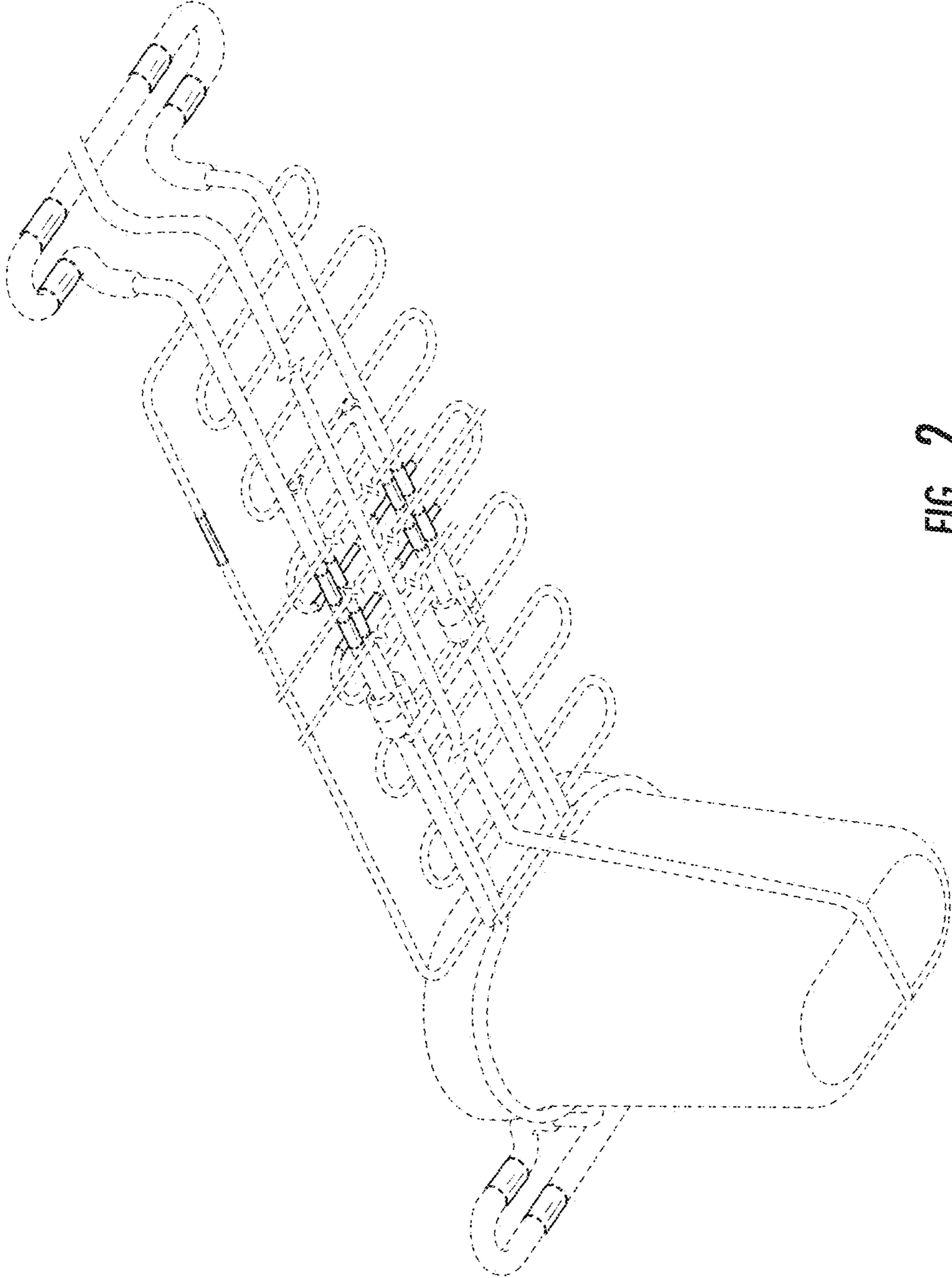


FIG. 2

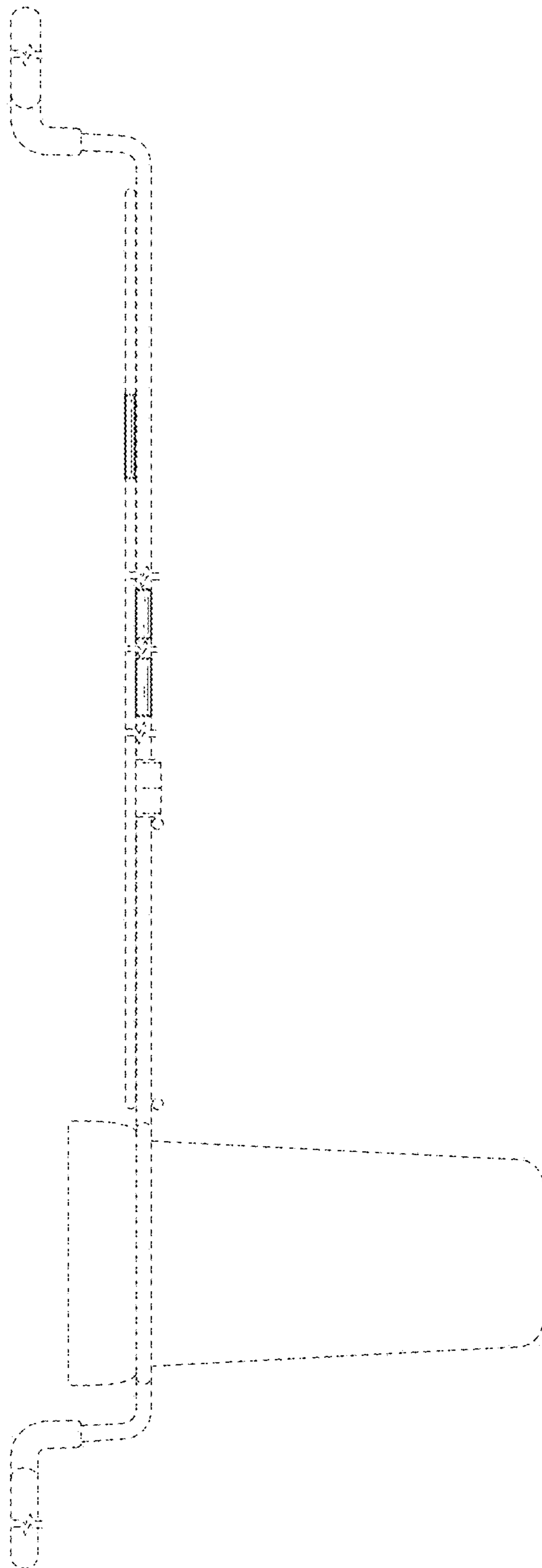


FIG. 3

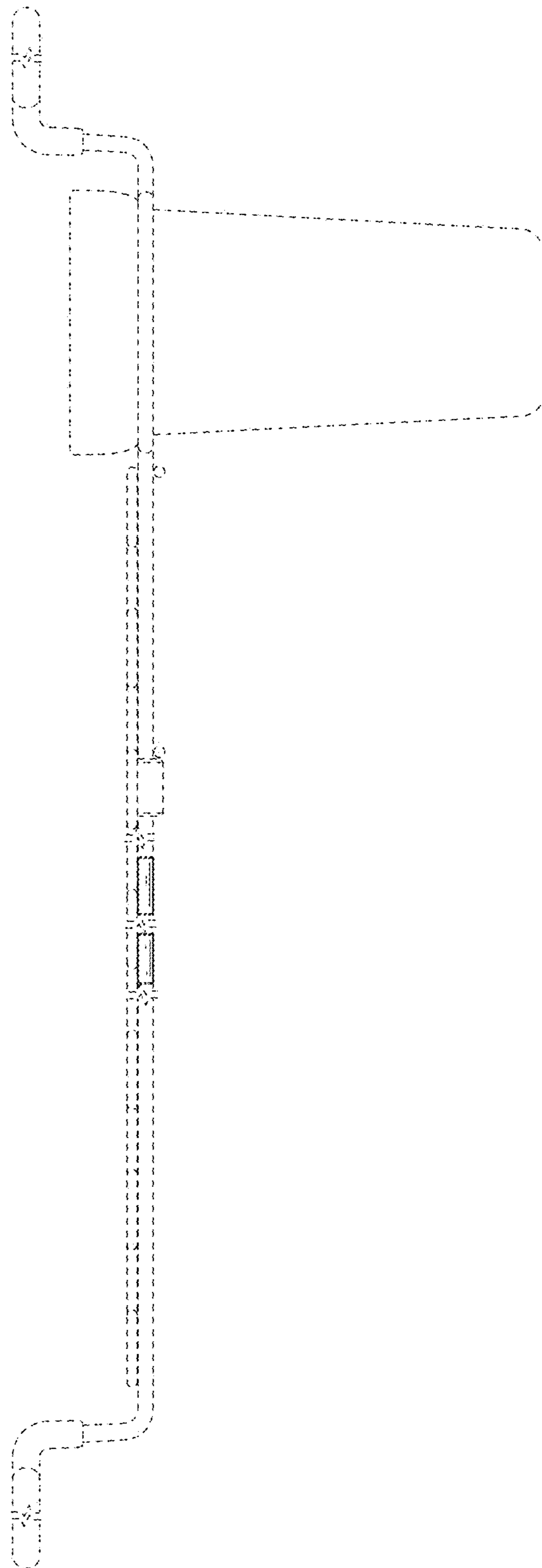


FIG. 4

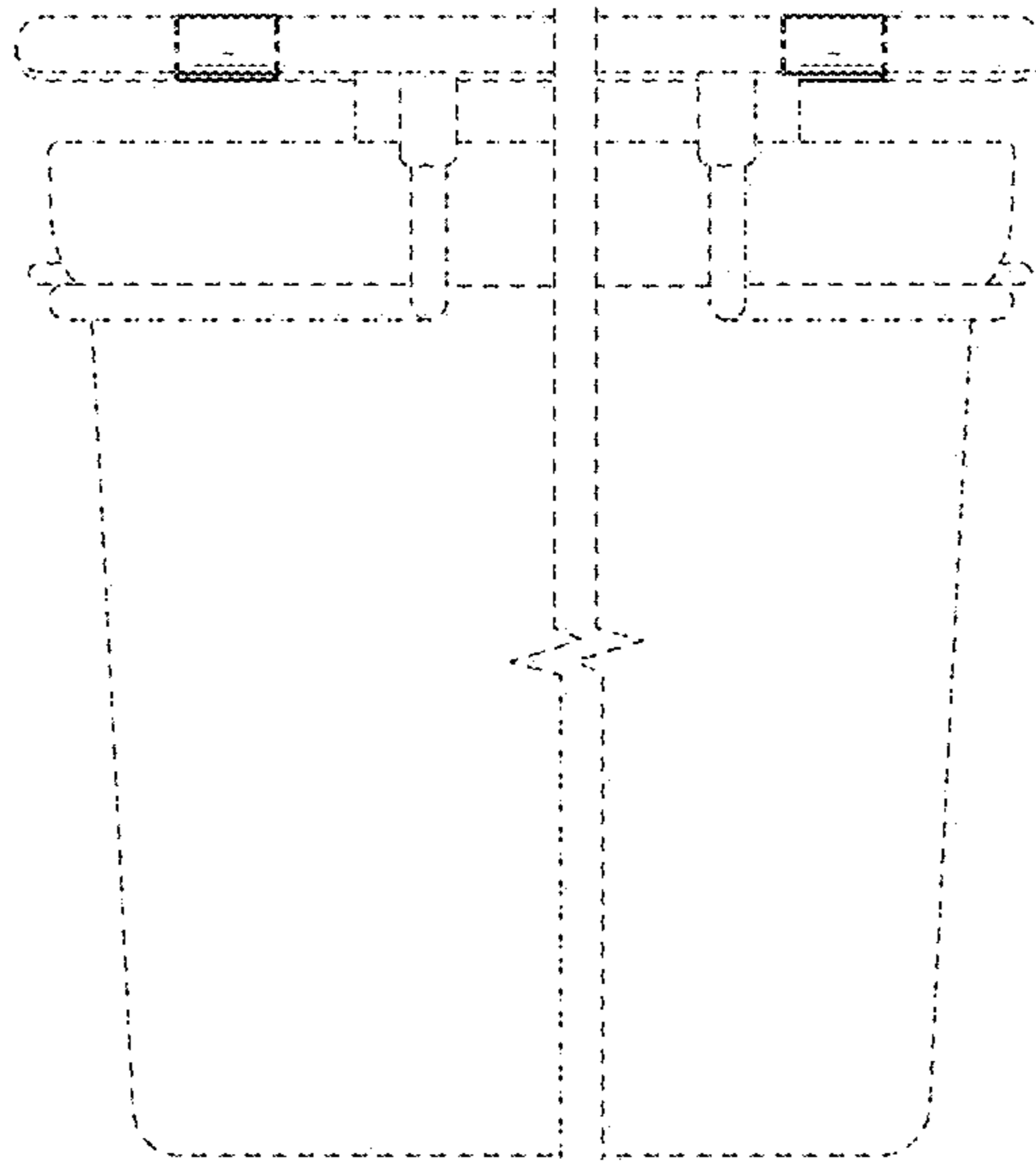


FIG. 5

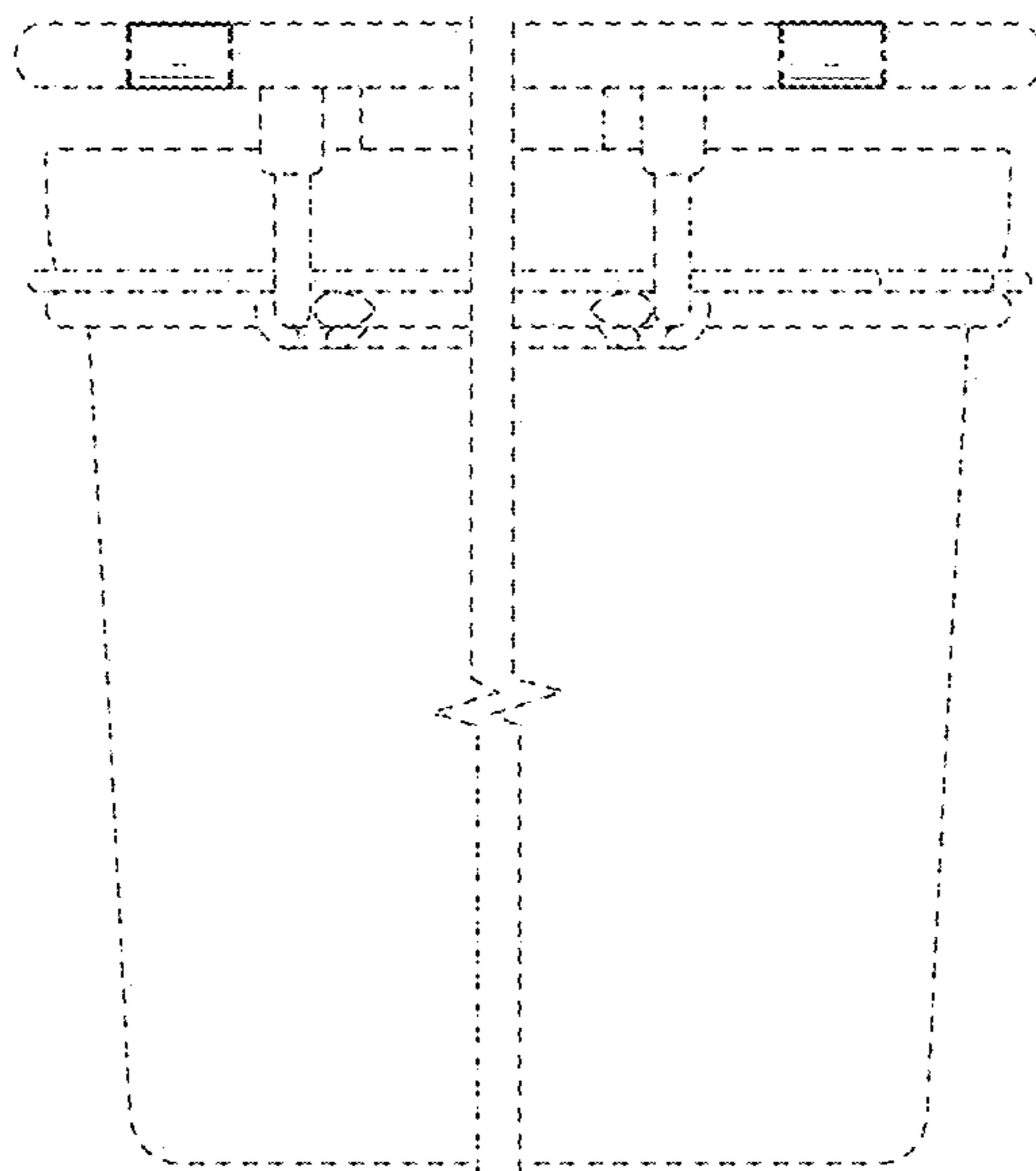


FIG. 6

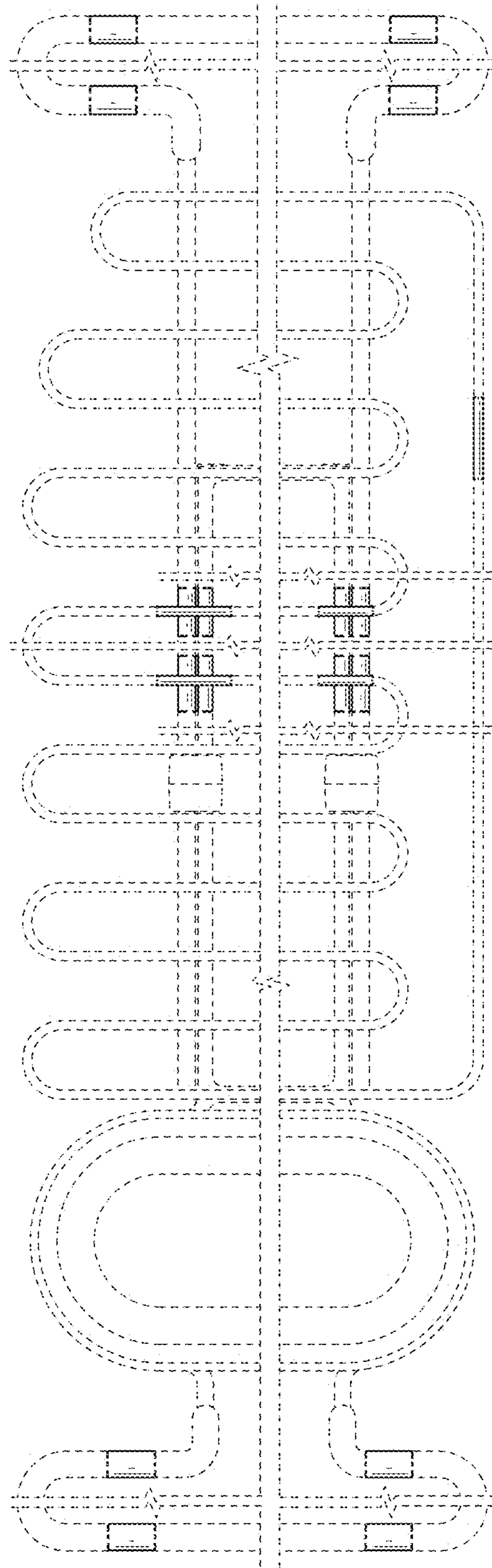


FIG. 7

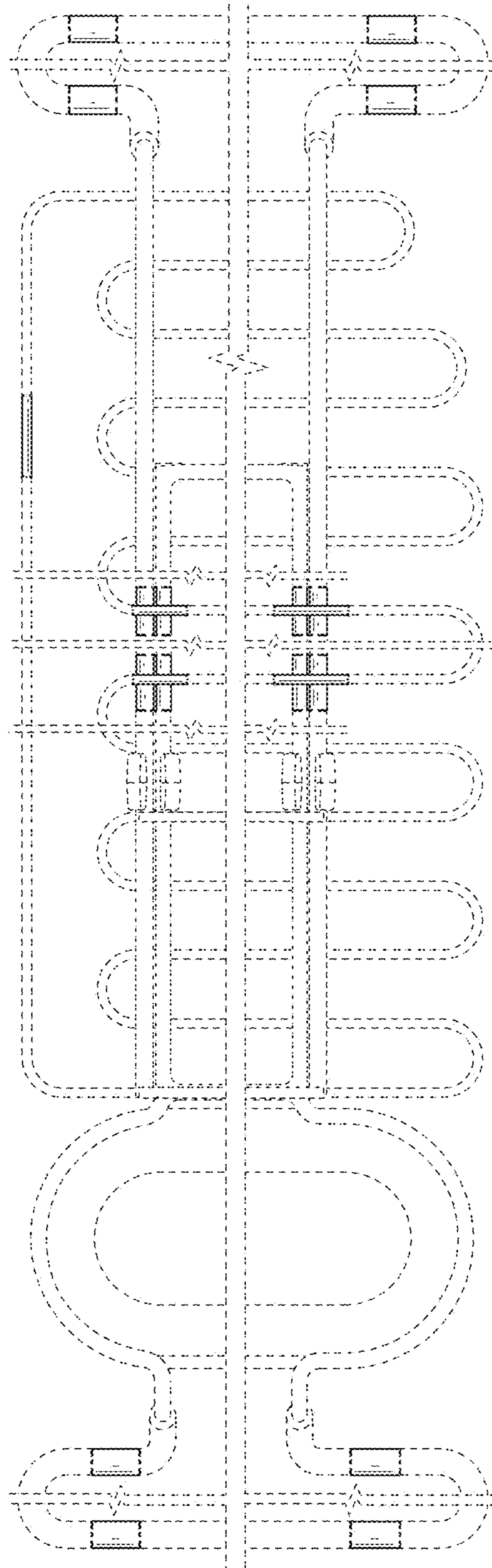


FIG. 8