



US00D890460S

(12) **United States Design Patent** (10) **Patent No.:** **US D890,460 S**
Evans et al. (45) **Date of Patent:** **** Jul. 14, 2020**

(54) **SINK ATTACHMENT**

(71) Applicant: **JOSEPH JOSEPH LTD**, London (GB)

(72) Inventors: **David Evans**, Cambridge (GB); **Ashley May**, Cambridge (GB)

(73) Assignee: **JOSEPH JOSEPH LTD**, London (GB)

(**) Term: **15 Years**

(21) Appl. No.: **29/639,630**

(22) Filed: **Mar. 7, 2018**

(30) **Foreign Application Priority Data**

Sep. 1, 2017 (EM) 004246585-0014

(51) **LOC (12) Cl.** **07-05**

(52) **U.S. Cl.**
USPC **D32/55**

(58) **Field of Classification Search**
USPC D6/524, 525, 526, 536, 553, 567;
D7/601, 602, 653, 635, 637, 638, 641,
D7/600.1; D23/308, 499; D32/55-57;
D10/46.2, 46.3
See application file for complete search history.

(56) **References Cited**

U.S. PATENT DOCUMENTS

D130,579 S * 12/1941 Dreyfuss D6/536
D177,160 S * 3/1956 Vernon D19/85
D265,874 S * 8/1982 Klose D23/223
D399,936 S * 10/1998 Scherer D23/303
D485,306 S * 1/2004 Sheldon D19/77
D501,886 S * 2/2005 Chen D19/77
D532,230 S * 11/2006 Snell D6/525

D579,616 S * 10/2008 Li D32/55
D603,660 S * 11/2009 Holcomb D7/637
D655,472 S * 3/2012 Krus D32/55
D794,893 S * 8/2017 Libman D32/55
D854,428 S * 7/2019 Holding D10/46.3

OTHER PUBLICATIONS

Amazon, Joseph Joseph Sink Pod, posted Dec. 25, 2017, [online], [visited Mar. 3, 2020]. Internet, <URL: https://www.amazon.co.uk/Joseph-Sink-Pod-Self-Draining-Tidy/dp/B078VKSC9W/ref=olp_product_details?ie=UTF8&me=> (Year: 2017).*

* cited by examiner

Primary Examiner — Sheryl Lane

Assistant Examiner — Samantha N Wood

(74) *Attorney, Agent, or Firm* — Millen, White, Zelano & Branigan, PC; Ryan Pool

(57) **CLAIM**

The ornamental design for a sink attachment, as shown and described.

DESCRIPTION

FIG. 1 is a perspective view of the sink attachment showing my new design.

FIG. 2 is a front view thereof.

FIG. 3 is a back view thereof.

FIG. 4 is a side view thereof.

FIG. 5 is another side view thereof.

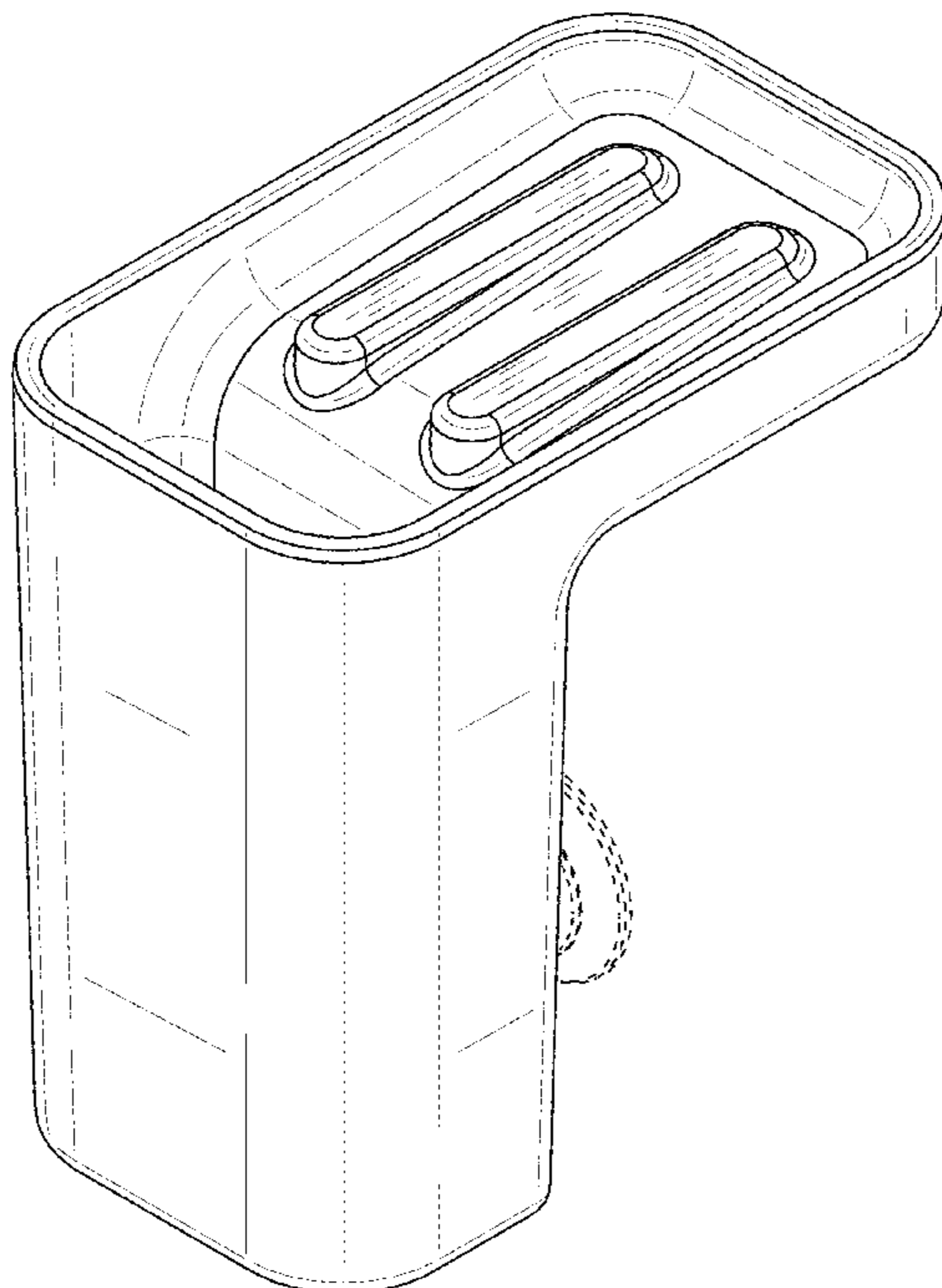
FIG. 6 is a top view thereof.

FIG. 7 is a bottom view thereof; and,

FIG. 8 is an exploded perspective view thereof.

The broken lines in the drawings illustrate portions of the sink attachment which form no part of the claimed design.

1 Claim, 8 Drawing Sheets



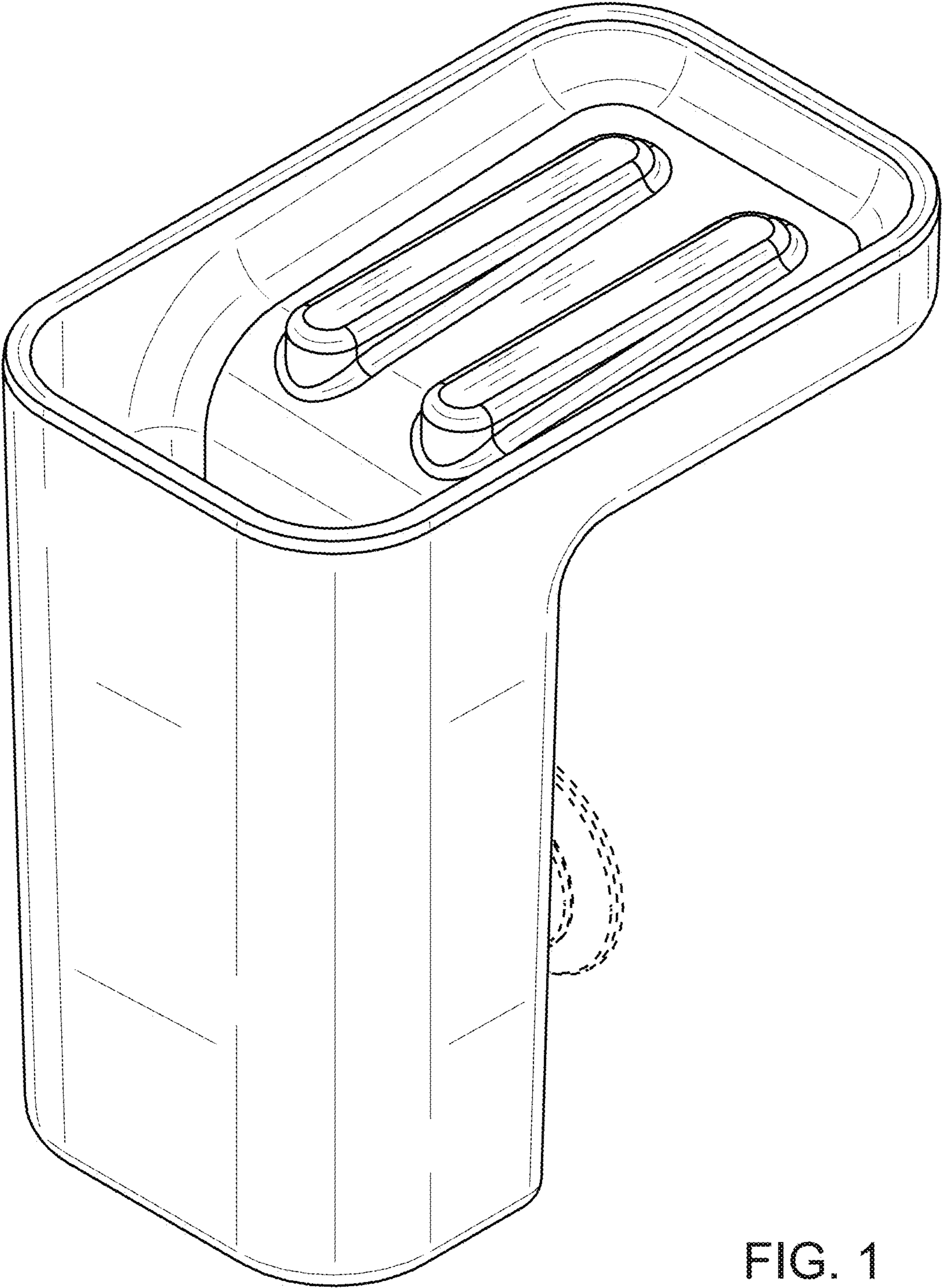


FIG. 1



FIG. 2

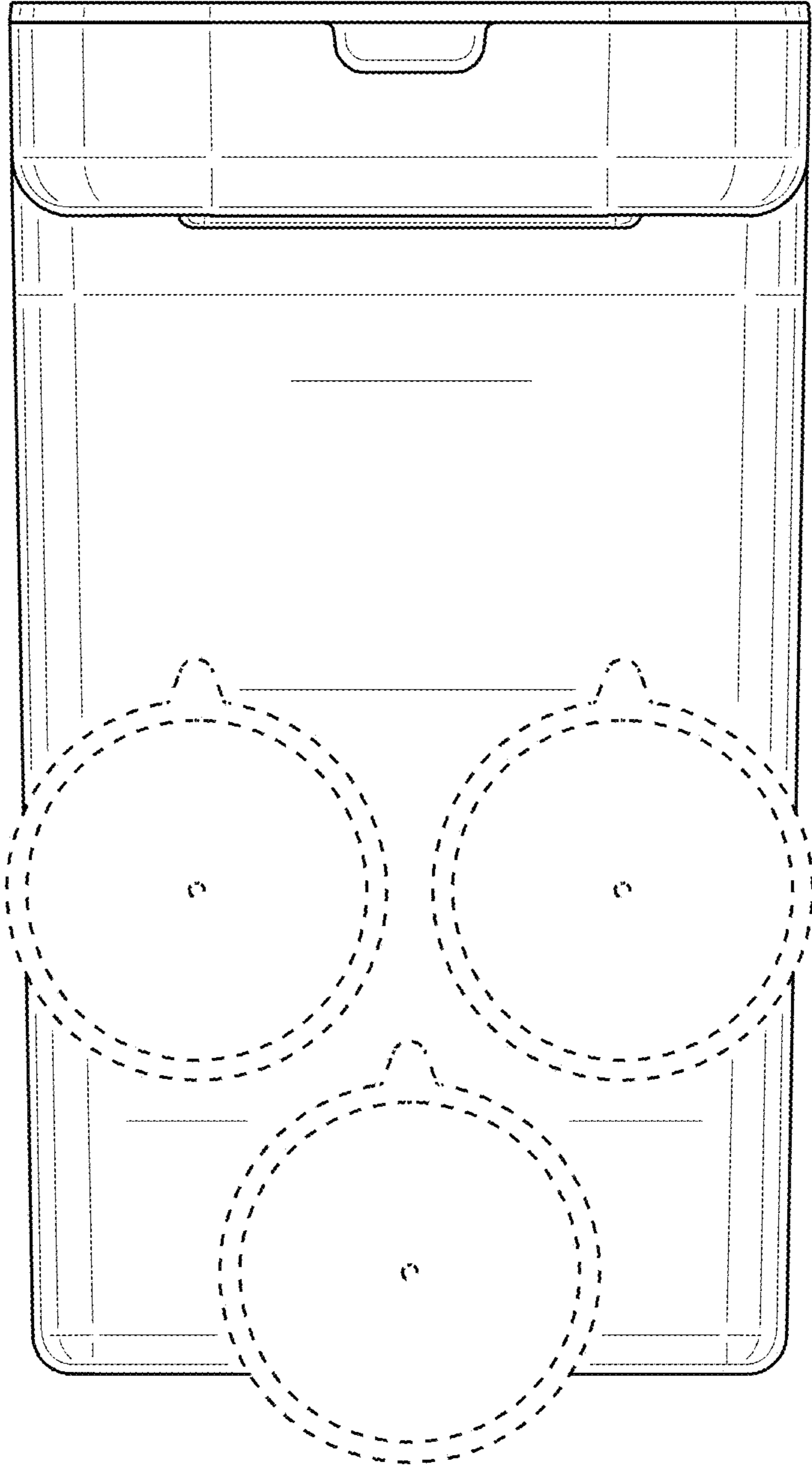


FIG. 3

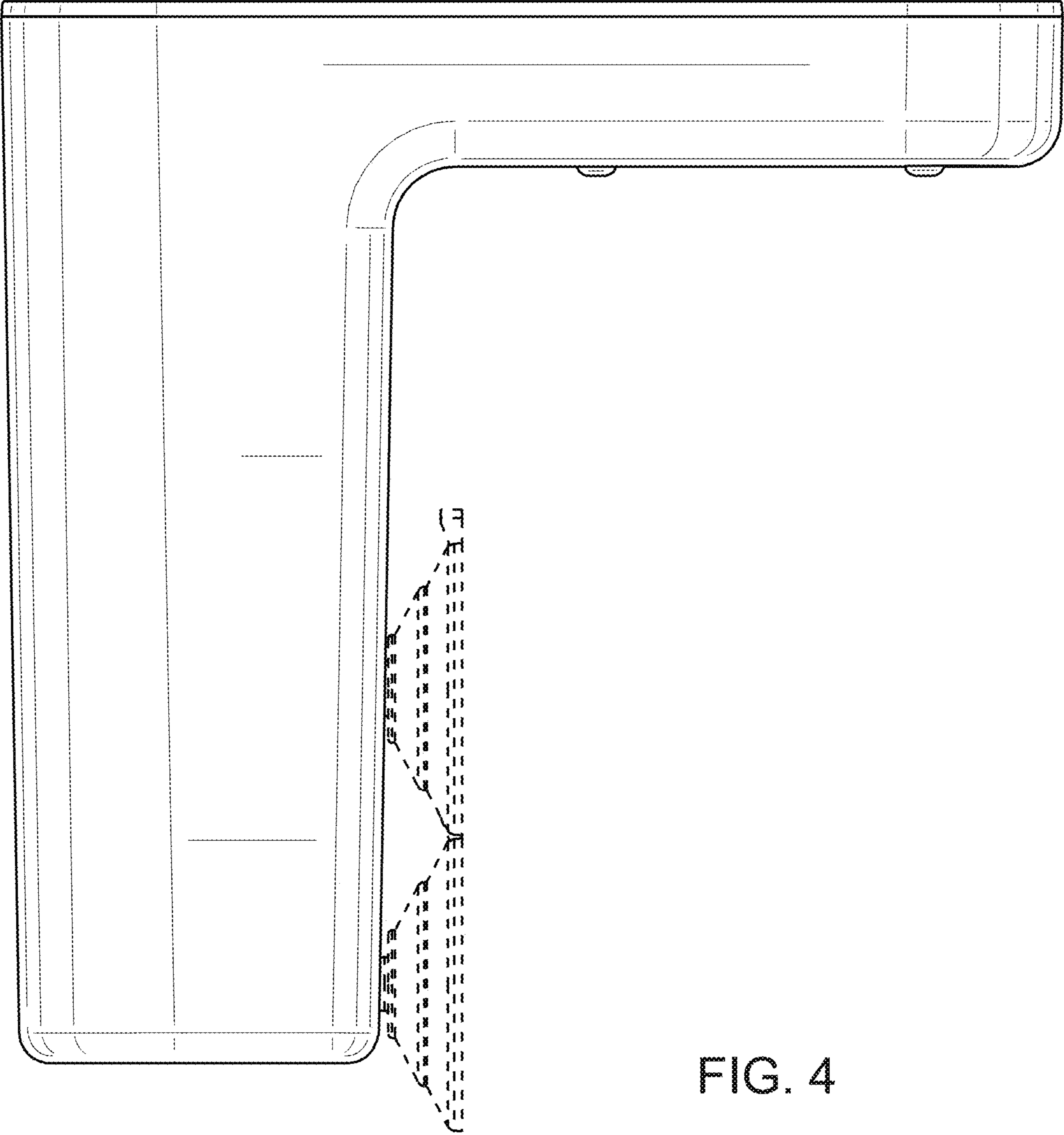


FIG. 4

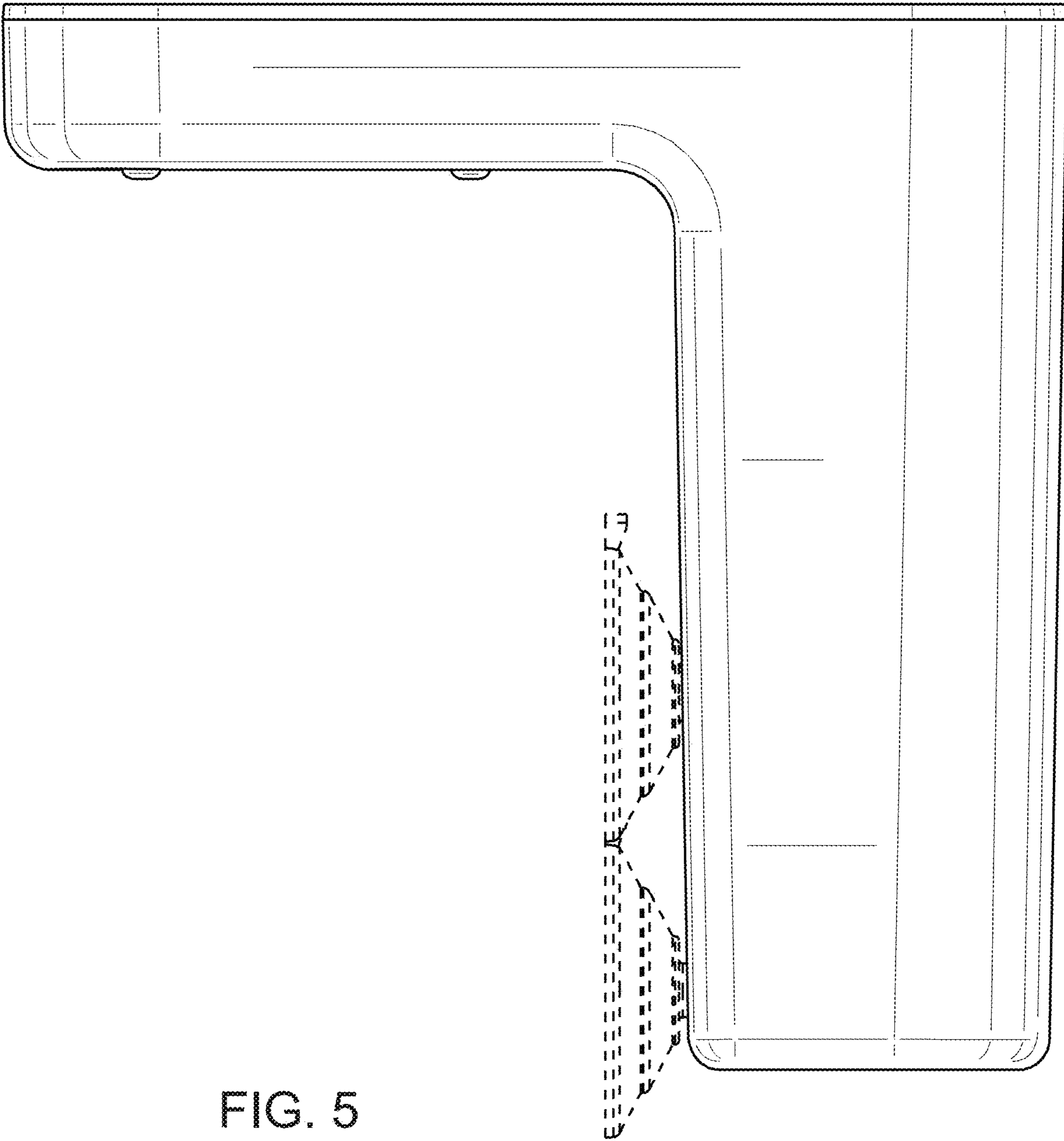


FIG. 5

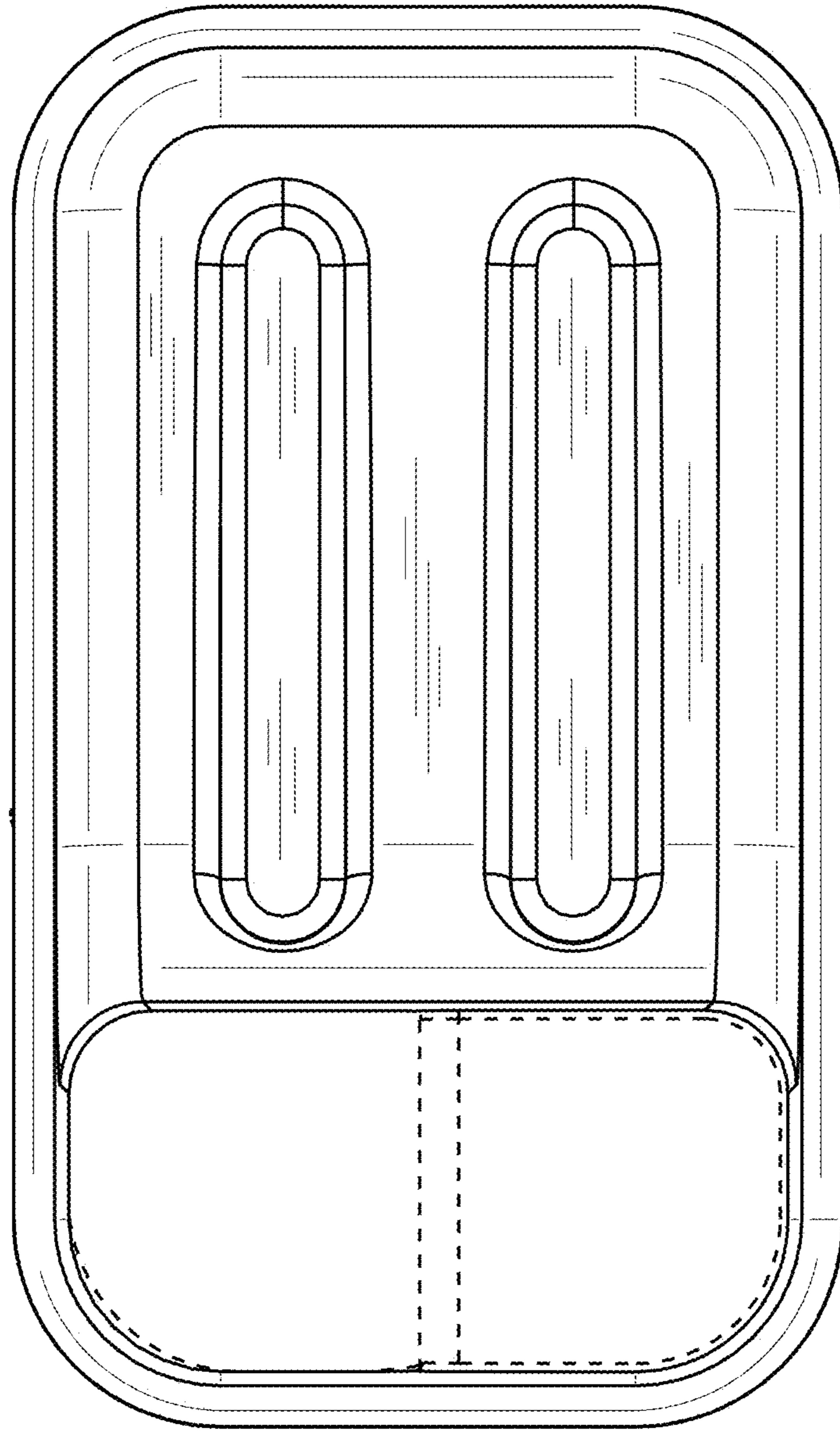


FIG. 6

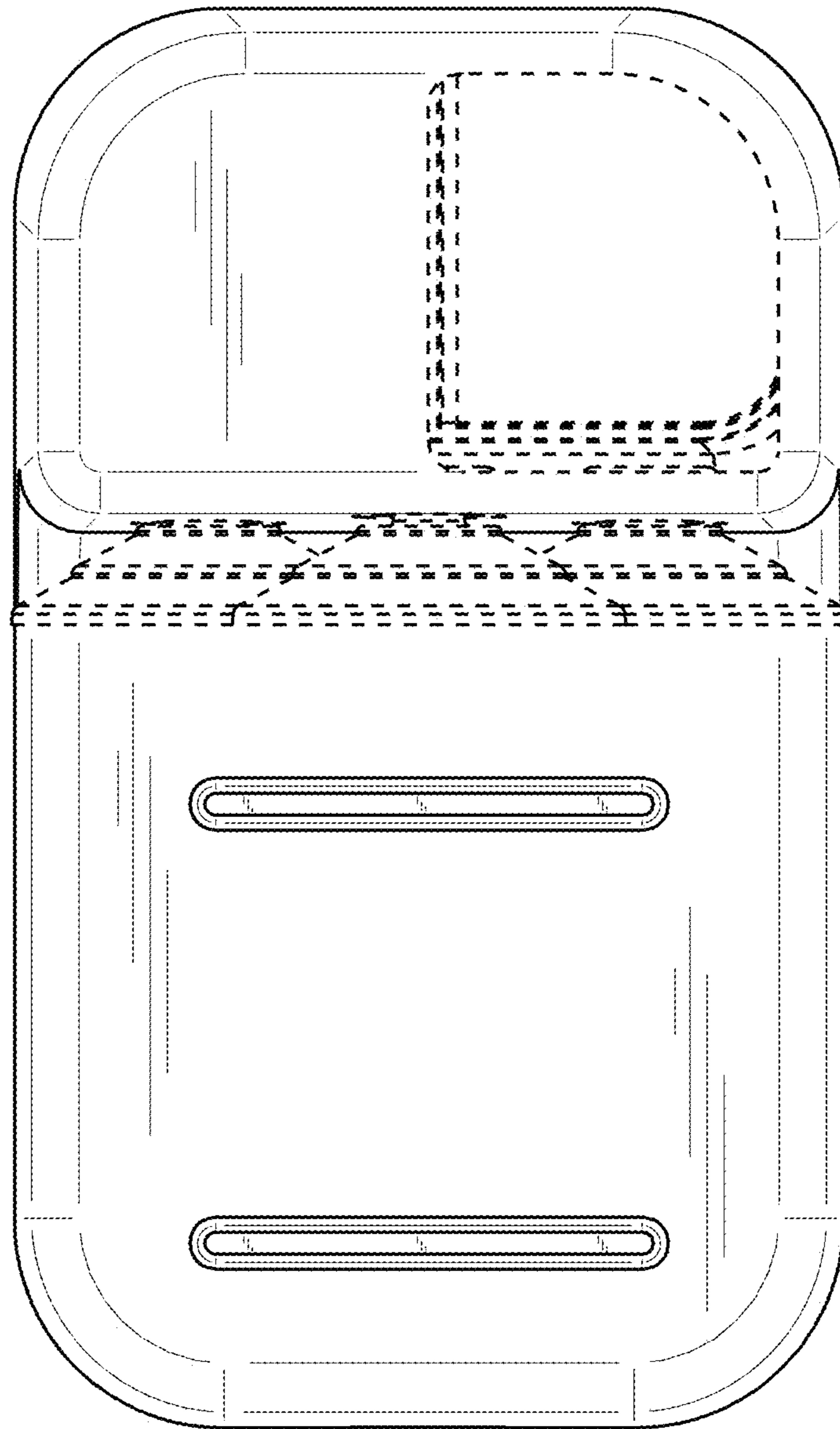


FIG. 7

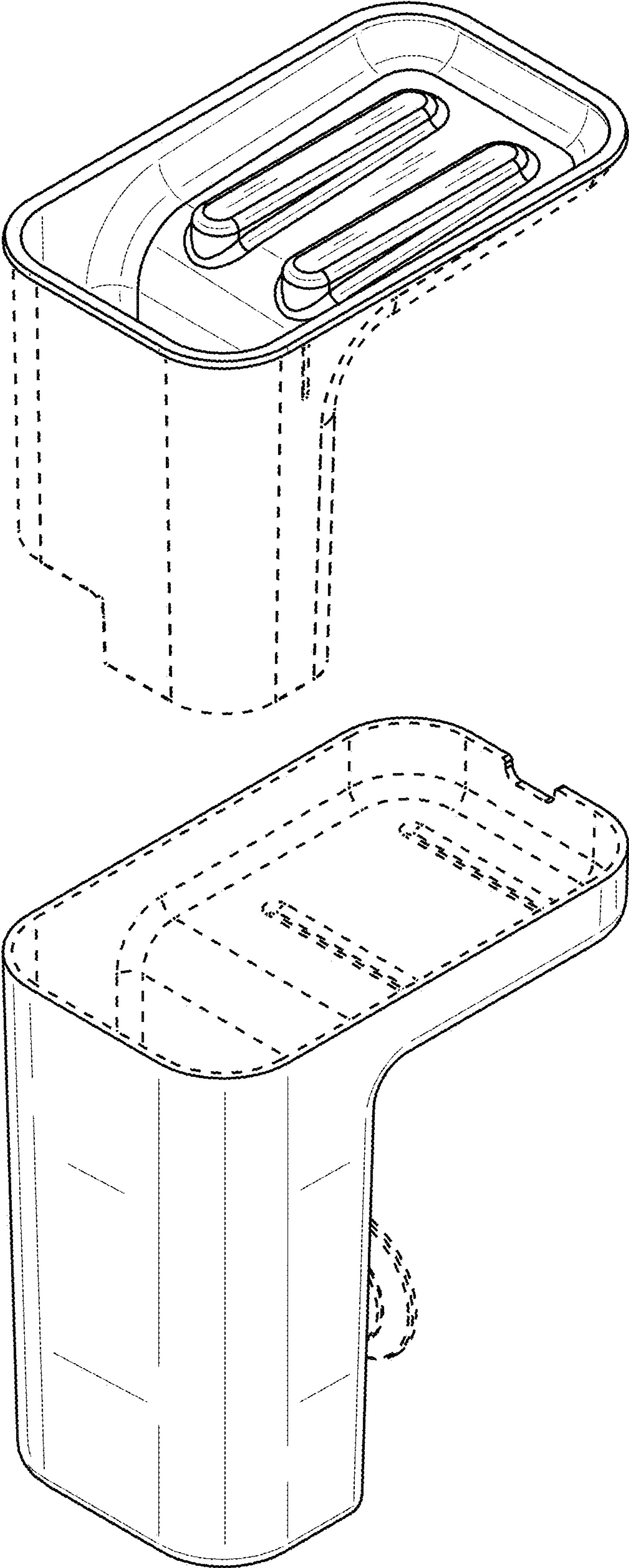


FIG. 8