

US00D890459S

(12) **United States Design Patent** (10) **Patent No.:** **US D890,459 S**
Fischer (45) **Date of Patent:** **** Jul. 14, 2020**

(54) **PAINT BUCKET INSERT**

(71) Applicant: **Jeffrey Fischer**, Broken Arrow, OK (US)

(72) Inventor: **Jeffrey Fischer**, Broken Arrow, OK (US)

(**) Term: **15 Years**

(21) Appl. No.: **29/684,529**

(22) Filed: **Mar. 21, 2019**

(51) **LOC (12) Cl.** **07-05**

(52) **U.S. Cl.**
USPC **D32/54**

(58) **Field of Classification Search**
USPC D32/37, 53, 53.1, 54; D3/304, 307, 315, D3/905; D23/284, 288, 290; D7/603; D21/532

CPC B44D 3/123; B44D 3/128; B44D 3/12; B44D 3/126; B44D 3/127; B65D 2543/00092; B65D 25/02

See application file for complete search history.

(56) **References Cited**

U.S. PATENT DOCUMENTS

3,510,023	A *	5/1970	Klygis	B65D 43/0231	220/792
3,515,306	A *	6/1970	Roper	B65D 43/0212	220/792
4,416,387	A *	11/1983	D'Antonio	B65D 81/245	220/579
4,834,261	A *	5/1989	Brdlik	B44D 3/12	141/319
5,829,949	A	11/1998	Brown			
5,975,344	A *	11/1999	Stevens	B65D 21/0219	206/508
D554,316	S *	10/2007	Brothers	B65D 47/06	D30/129
D558,419	S *	12/2007	Zychlinski	B65D 43/0256	D32/53

2001/0004985	A1	6/2001	Pertschi			
2007/0205196	A1 *	9/2007	Burney	B65D 43/0212	220/276
2008/0110904	A1	5/2008	Smith			
2008/0128443	A1 *	6/2008	Coughlin	B65D 17/506	220/791
2009/0026203	A1 *	1/2009	Selina	B65D 43/0256	220/276

(Continued)

OTHER PUBLICATIONS

USPlastics.com, Universal Poly-drum funnel, undated online product page, retrieved Mar. 8, 2020 from <URL:https://www.usplastic.com/catalog/item.aspx?sku=3316> (Year: 2020).*

Primary Examiner — Sheryl Lane

Assistant Examiner — Calvin E Vansant

(74) *Attorney, Agent, or Firm* — Boudwin Intellectual Property; Daniel Boudwin

(57) **CLAIM**

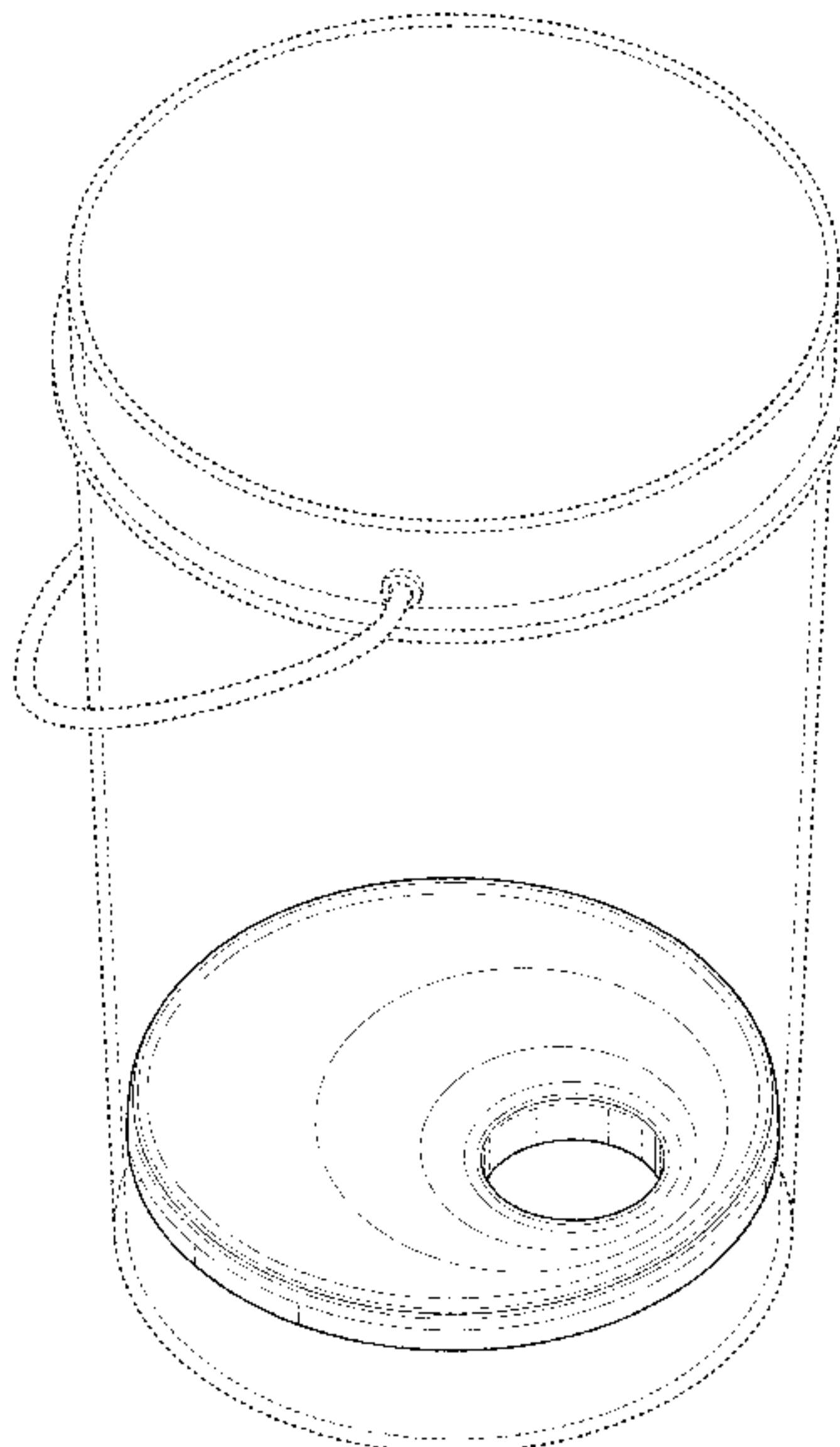
The ornamental design for a paint bucket insert, as shown and described.

DESCRIPTION

FIG. 1 shows a perspective view of a paint bucket insert; FIG. 2 shows a front view of the paint bucket insert; FIG. 3 shows a rear view of the paint bucket insert; FIG. 4 shows a right side view of the paint bucket insert; FIG. 5 shows a left side view of the paint bucket insert; FIG. 6 shows a top plan view of the paint bucket insert; and, FIG. 7 shows a bottom plan view of the paint bucket insert. The shade lines in the Figures show contour and not surface ornamentation.

The broken lines shown in the Figures show portions of the paint bucket insert device which form no part of the claimed design.

1 Claim, 3 Drawing Sheets



(56)

References Cited

U.S. PATENT DOCUMENTS

2009/0314780 A1* 12/2009 Selina B65D 43/0256
220/276
2012/0088714 A1 4/2012 Kumar et al.
2014/0117027 A1 5/2014 Ulstad
2019/0185225 A1* 6/2019 Savenok B65D 47/06
2019/0185229 A1* 6/2019 Selina B65D 51/1683
2020/0010243 A1* 1/2020 Fischer B65D 25/02

* cited by examiner

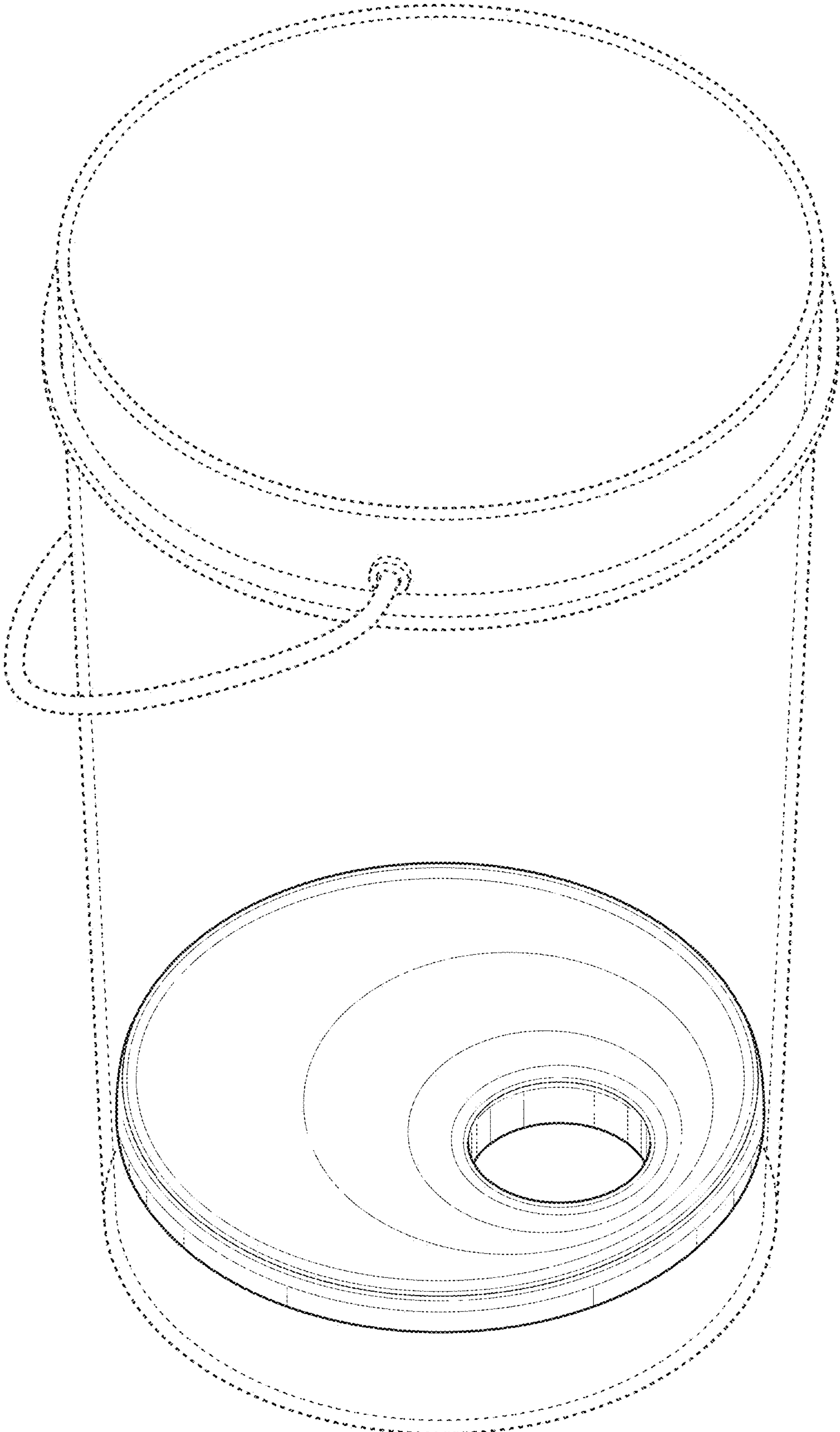


FIG. 1

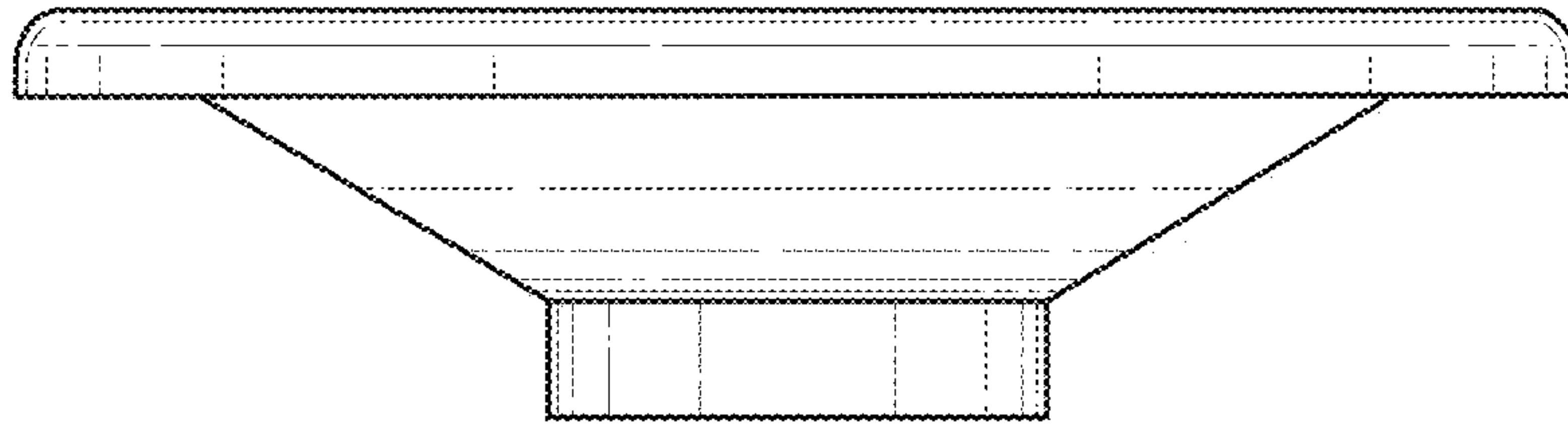


FIG. 2

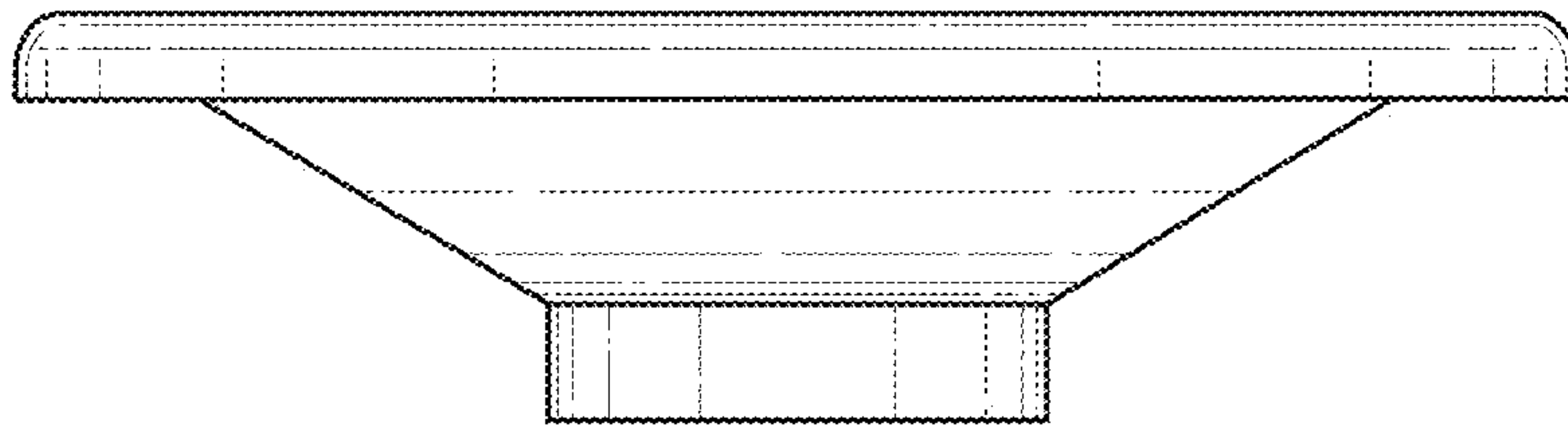


FIG. 3

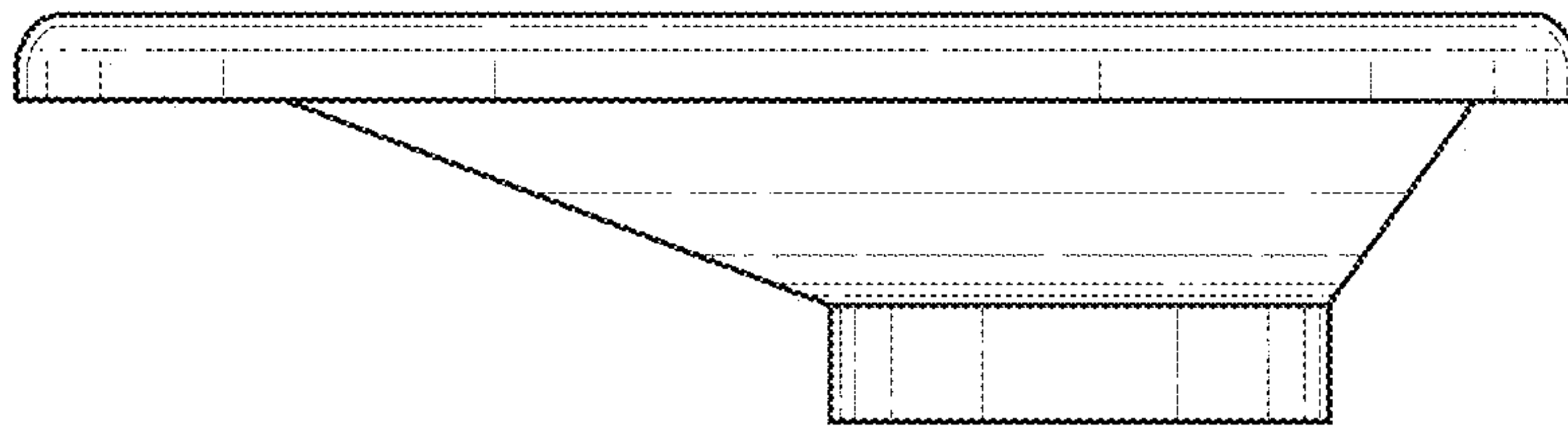


FIG. 4

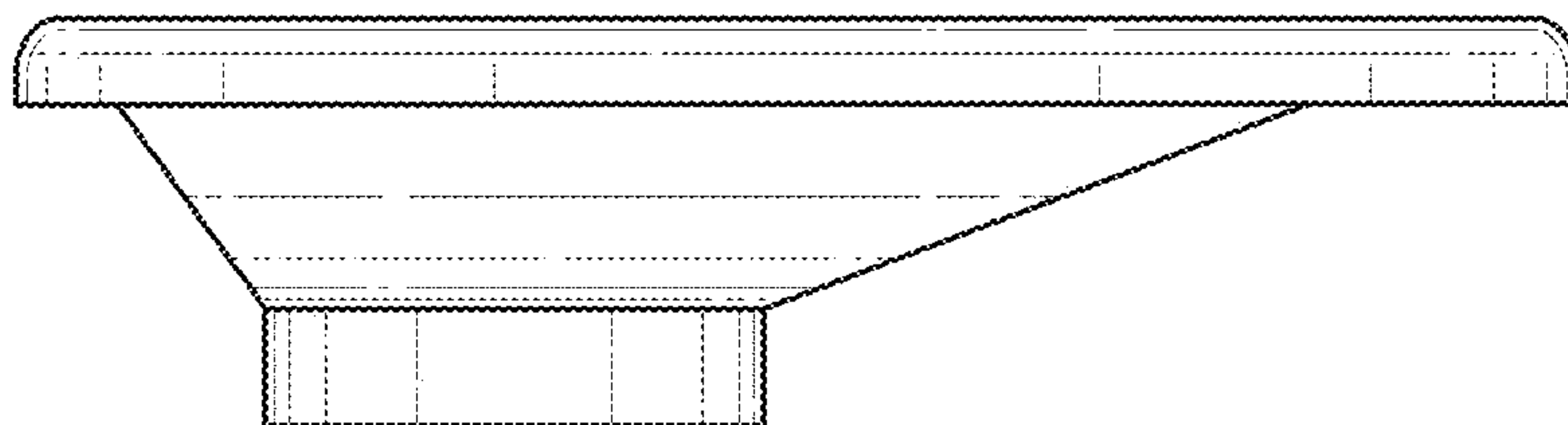


FIG. 5

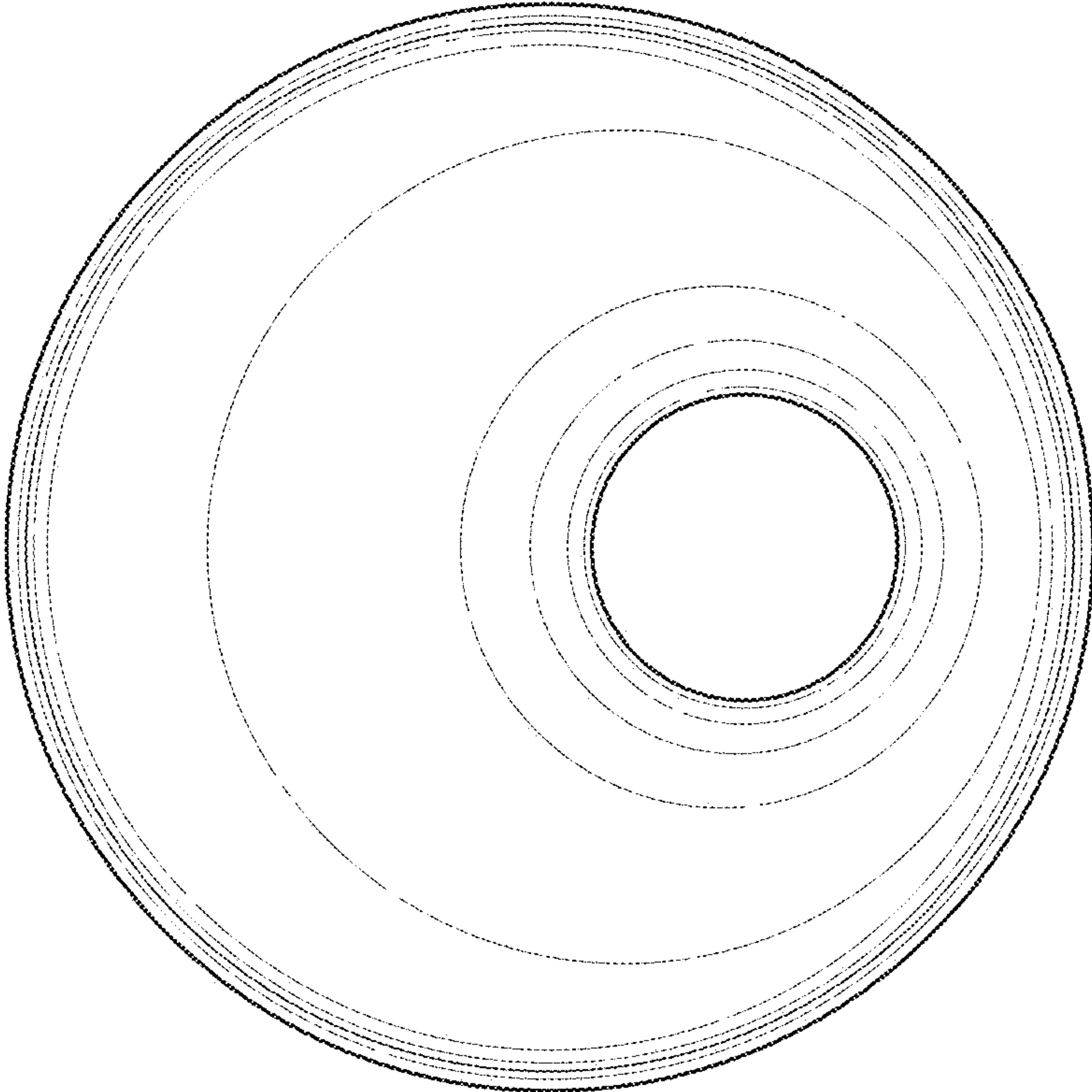


FIG. 6

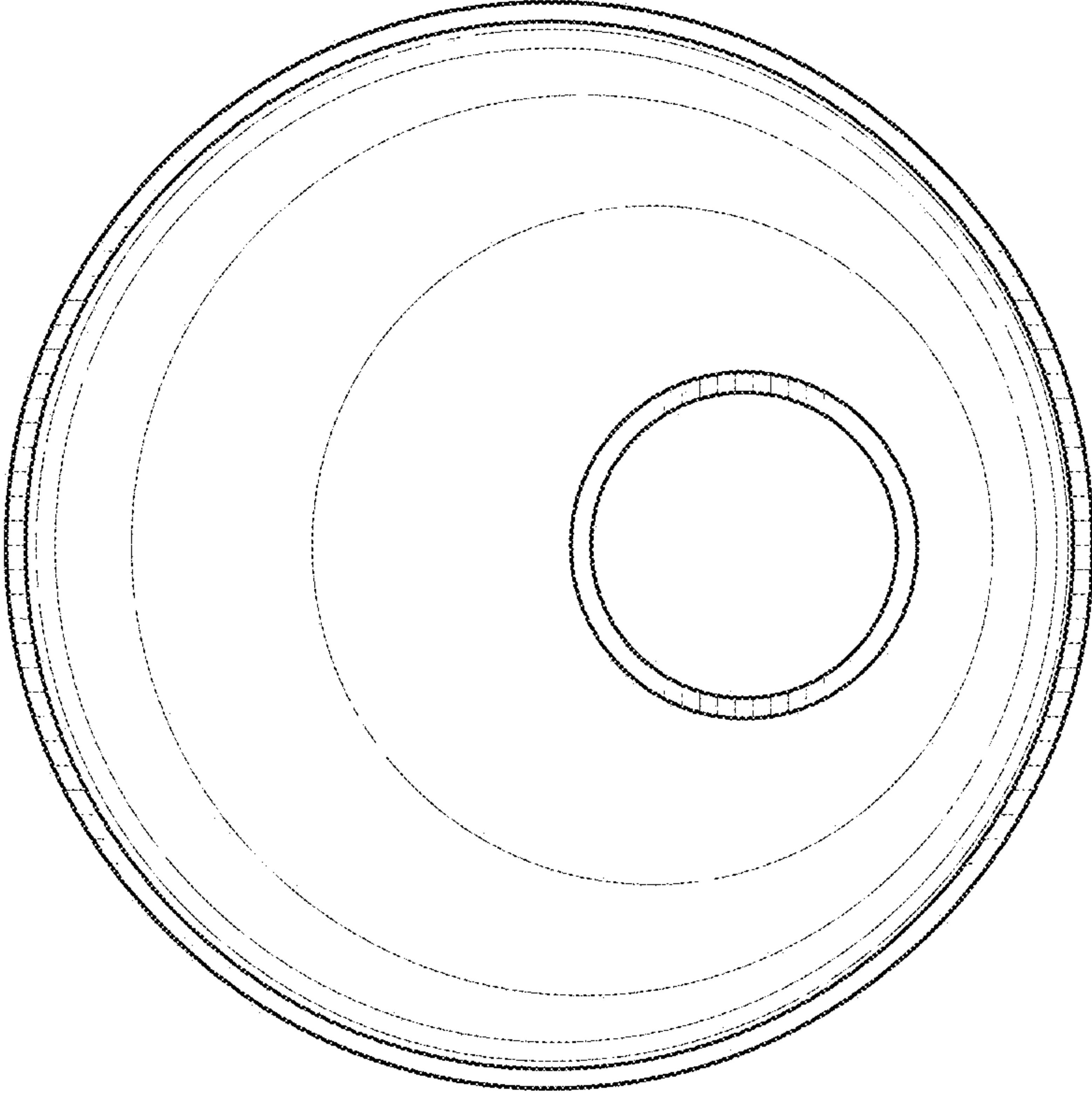


FIG. 7