



US00D890458S

(12) **United States Design Patent**  
**Yearwood, Jr.**

(10) **Patent No.:** **US D890,458 S**

(45) **Date of Patent:** **\*\* Jul. 14, 2020**

(54) **FISHING TACKLE BUCKET**

(71) Applicant: **Alfred Leland Yearwood, Jr.**,  
Memphis, TN (US)

(72) Inventor: **Alfred Leland Yearwood, Jr.**,  
Memphis, TN (US)

(\*\*) Term: **15 Years**

(21) Appl. No.: **29/676,122**

(22) Filed: **Jan. 8, 2019**

(51) **LOC (12) Cl.** ..... **07-05**

(52) **U.S. Cl.**  
USPC ..... **D32/53**

(58) **Field of Classification Search**  
USPC ..... D32/53, 53.1, 54; D3/304, 307, 315;  
D23/284, 288, 290  
CPC ..... B44D 3/123; B44D 3/128; B44D 3/12;  
A47L 13/142; A47L 13/58; B65D 25/14  
See application file for complete search history.

(56) **References Cited**

**U.S. PATENT DOCUMENTS**

- D235,205 S \* 5/1975 Schwartz ..... A01K 97/05  
D22/136
- 4,677,785 A \* 7/1987 Lambourn ..... A01K 97/05  
261/121.2
- 5,350,065 A \* 9/1994 Darrey ..... B25H 3/00  
206/373
- D362,710 S \* 9/1995 Hambrick ..... A01K 97/06  
D22/134
- D382,998 S \* 9/1997 Conigliaro ..... A01K 97/06  
D3/313

- D384,391 S \* 9/1997 Bastian ..... D22/148
- 5,802,760 A \* 9/1998 Campbell ..... A01K 97/06  
206/315.11
- D425,600 S \* 5/2000 Pas ..... D22/136
- D451,575 S \* 12/2001 Nelson ..... D22/136
- 6,364,150 B1 \* 4/2002 Persinger ..... A01K 97/06  
206/373
- D628,386 S \* 12/2010 Kohn ..... D3/313
- 8,806,803 B1 \* 8/2014 Mitchell ..... A01K 97/06  
206/315.11

\* cited by examiner

*Primary Examiner* — Sheryl Lane

*Assistant Examiner* — Calvin E Vansant

(74) *Attorney, Agent, or Firm* — Hulsey P.C.

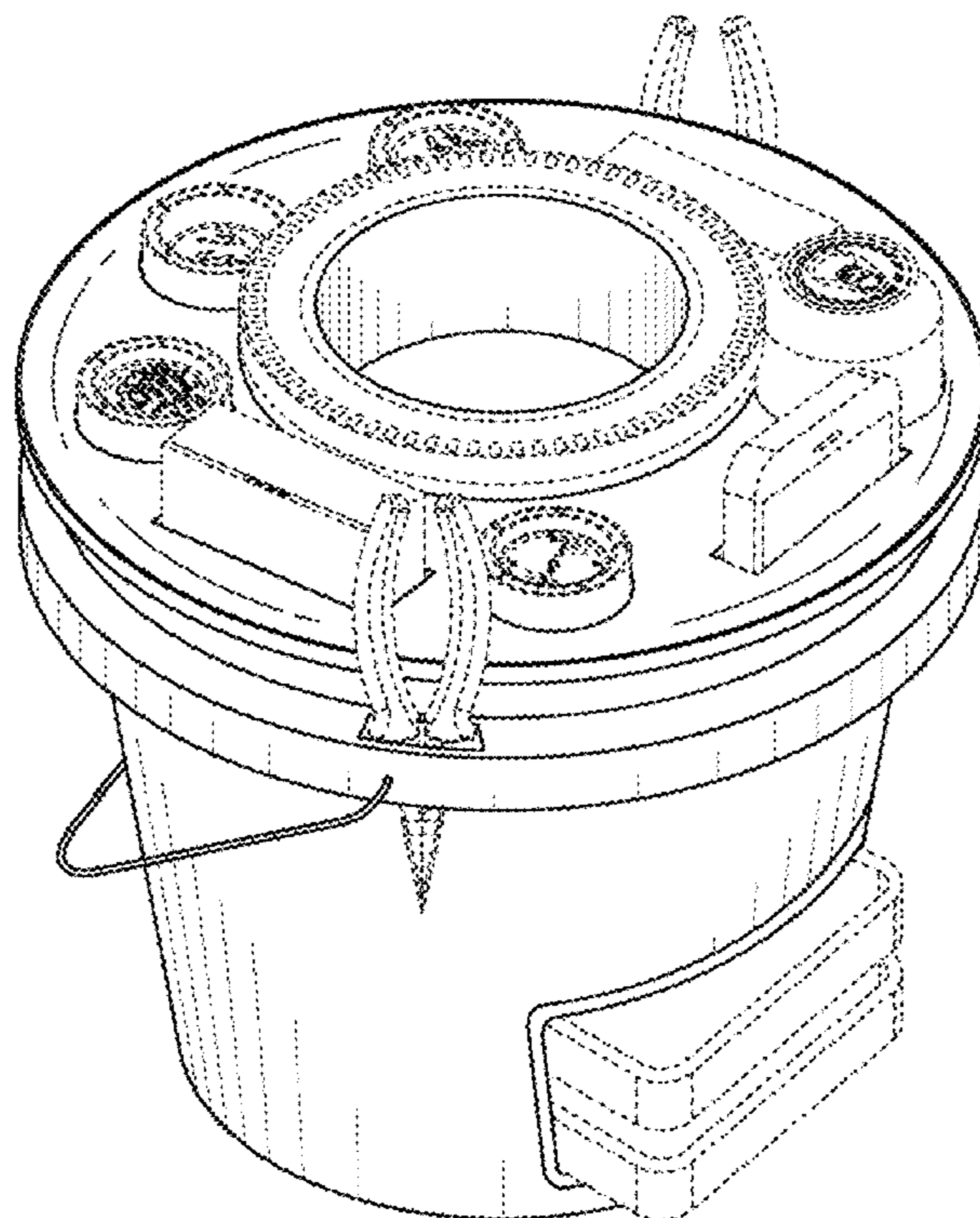
(57) **CLAIM**

The ornamental design for a fishing tackle bucket, as shown and described.

**DESCRIPTION**

FIG. 1 is a ¾ top perspective view of a fishing tackle bucket showing my new design;  
 FIG. 2 is a front plan view thereof;  
 FIG. 3 is a rear plan view thereof;  
 FIG. 4 is a left side plan view thereof;  
 FIG. 5 is a right side plan view thereof;  
 FIG. 6 is a top plan view thereof; and,  
 FIG. 7 is a bottom plan view thereof.  
 The broken lines showing in the Figures are included for the purposes of illustrating portions of the fishing tackle bucket and form no part of the claimed design.

**1 Claim, 7 Drawing Sheets**



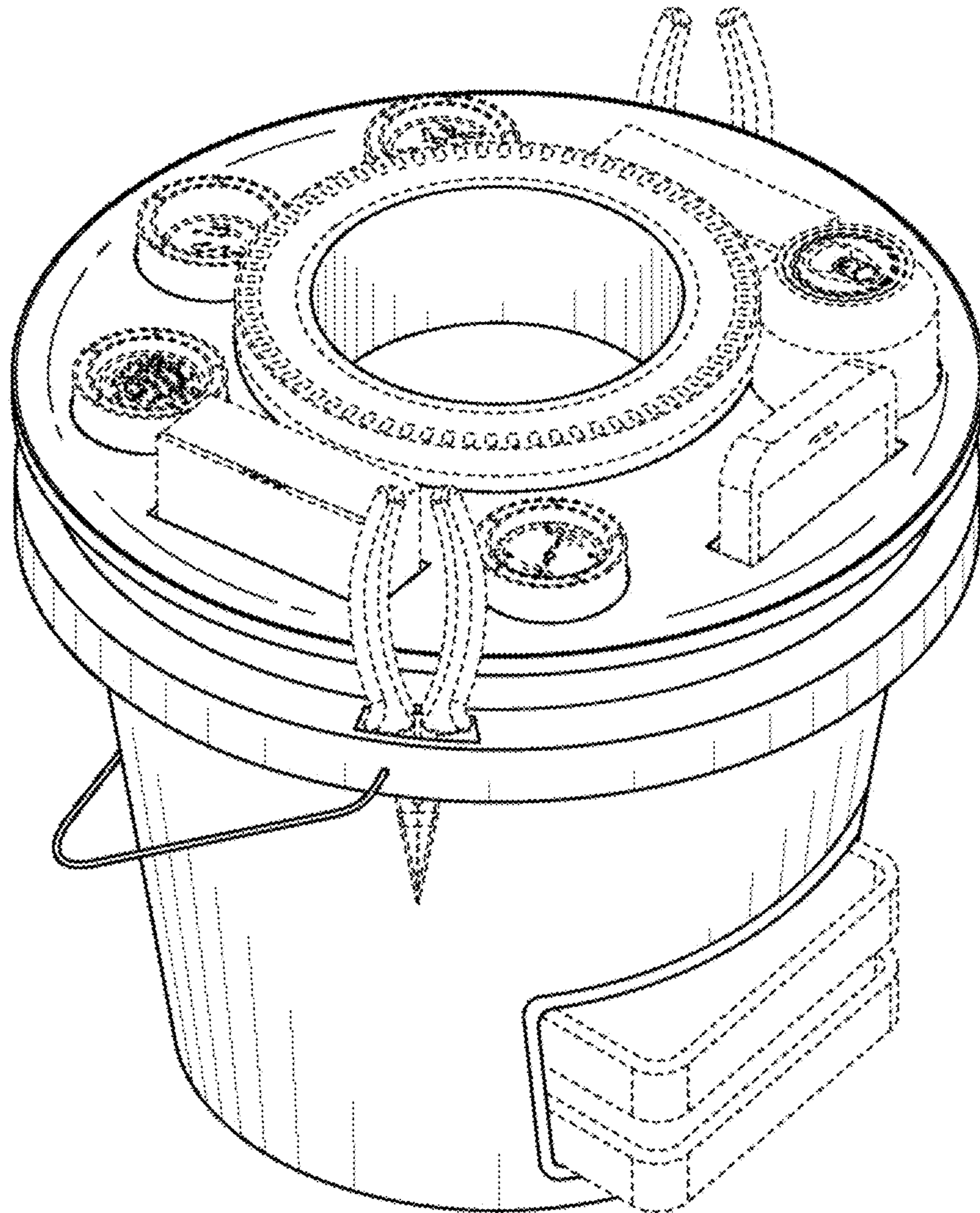


FIG. 1

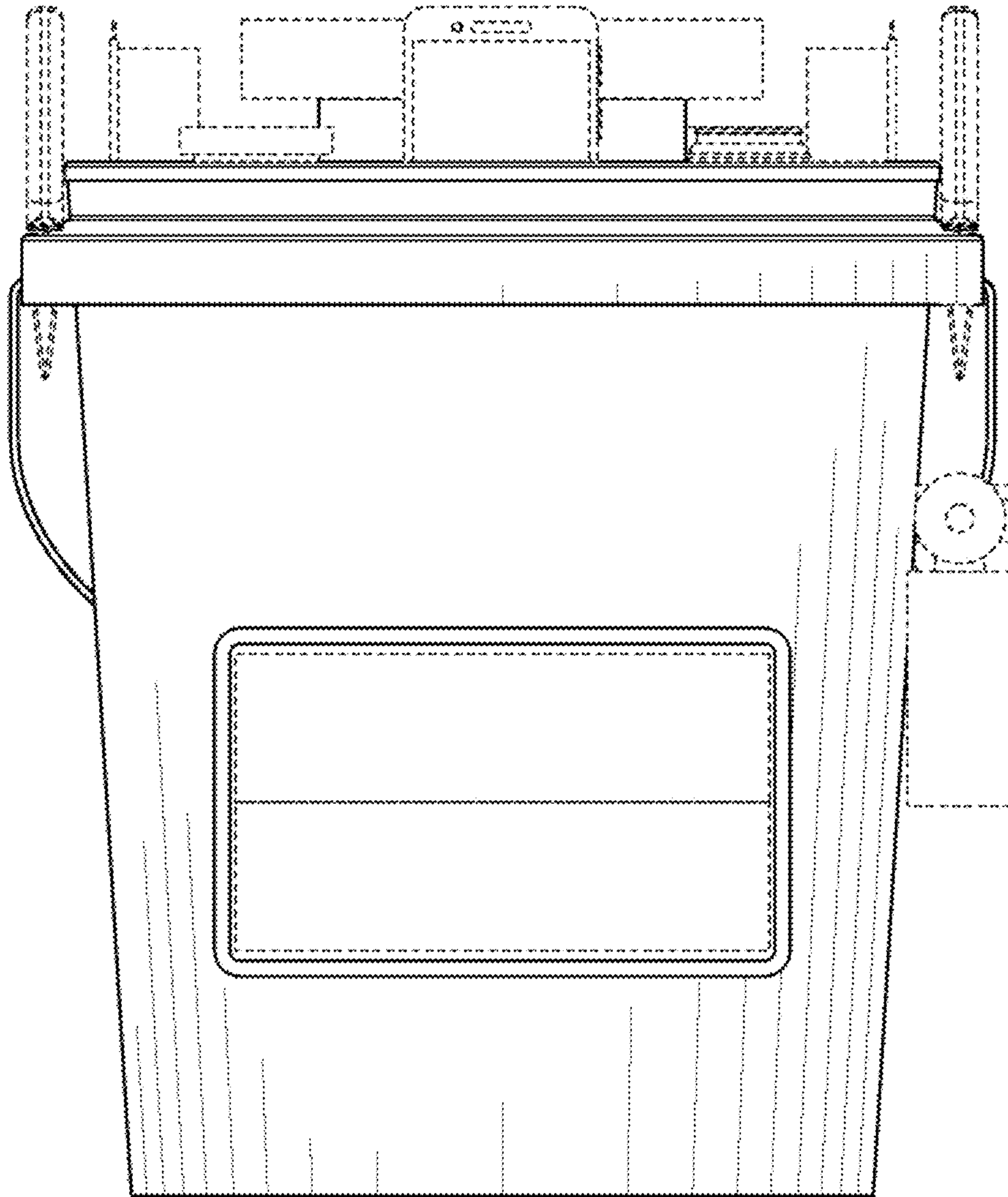


FIG. 2

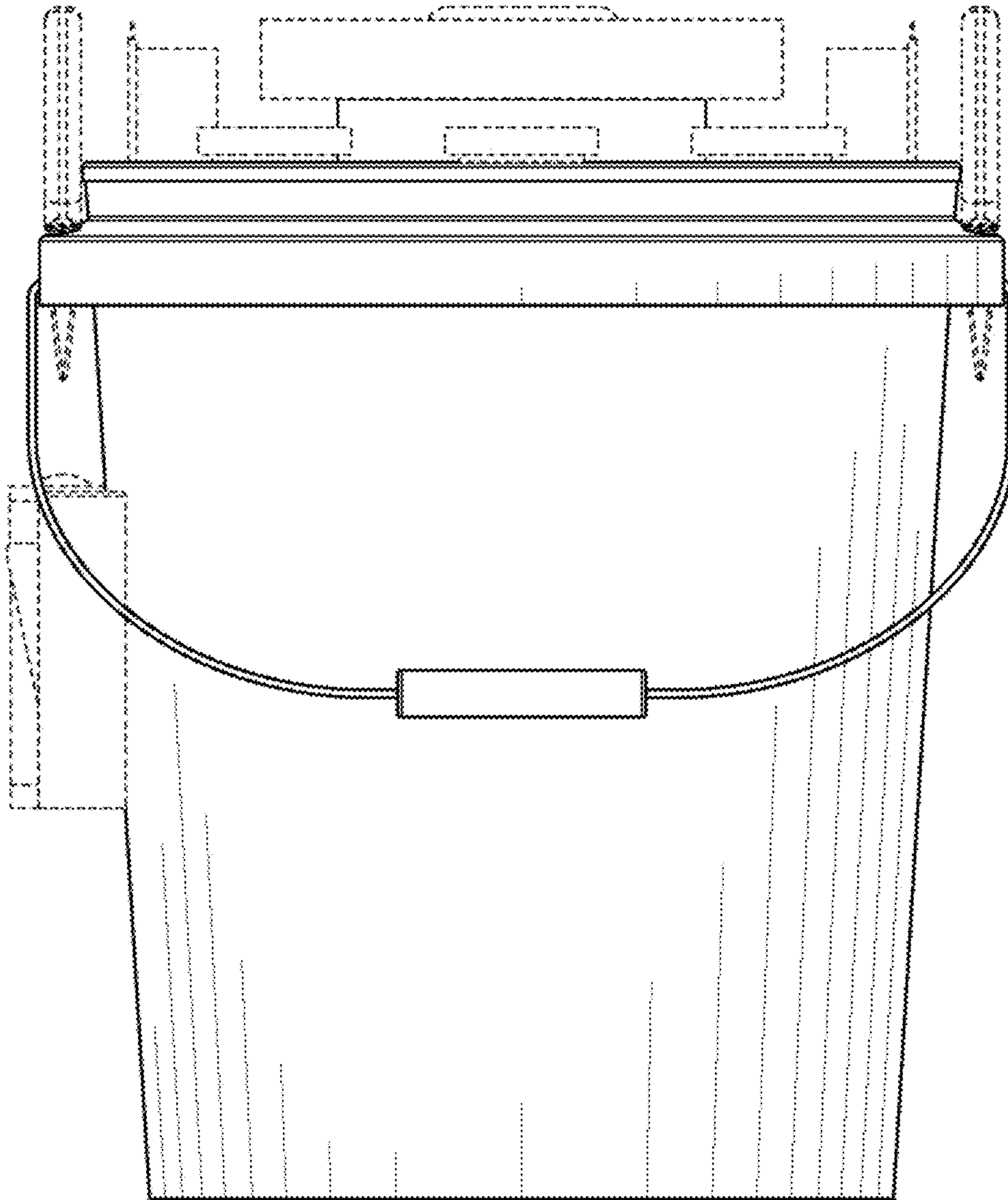


FIG. 3

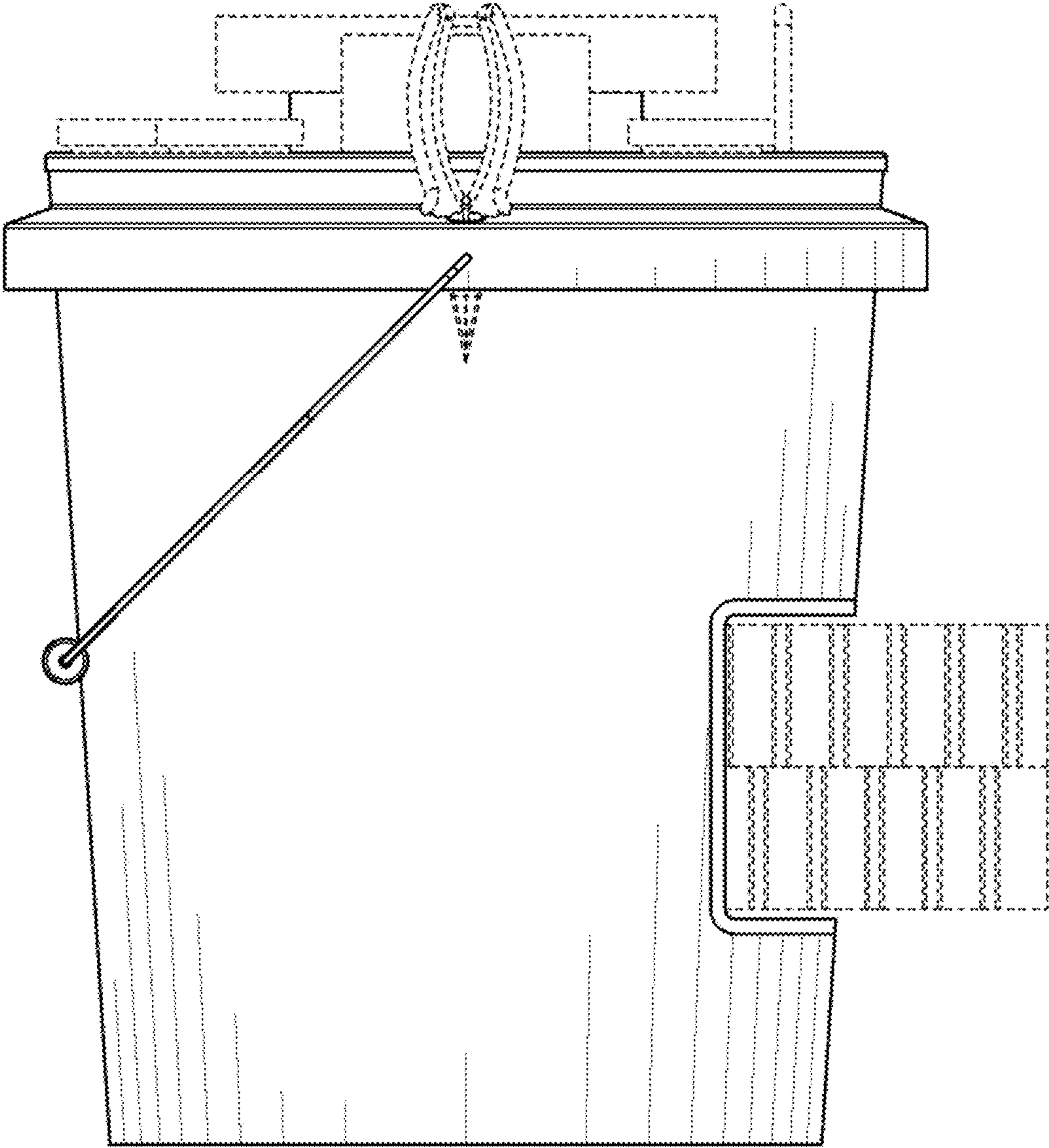


FIG. 4

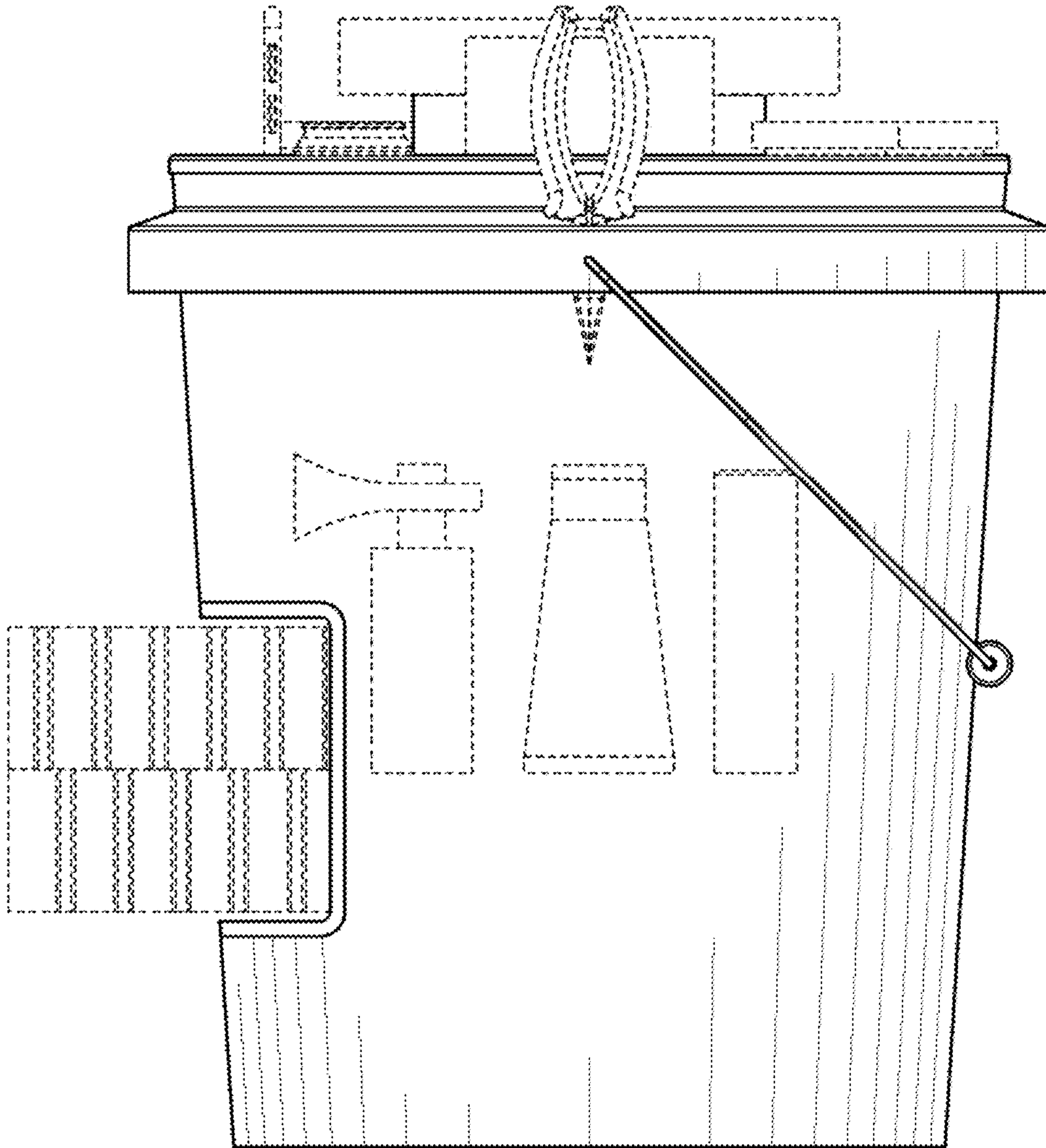


FIG. 5

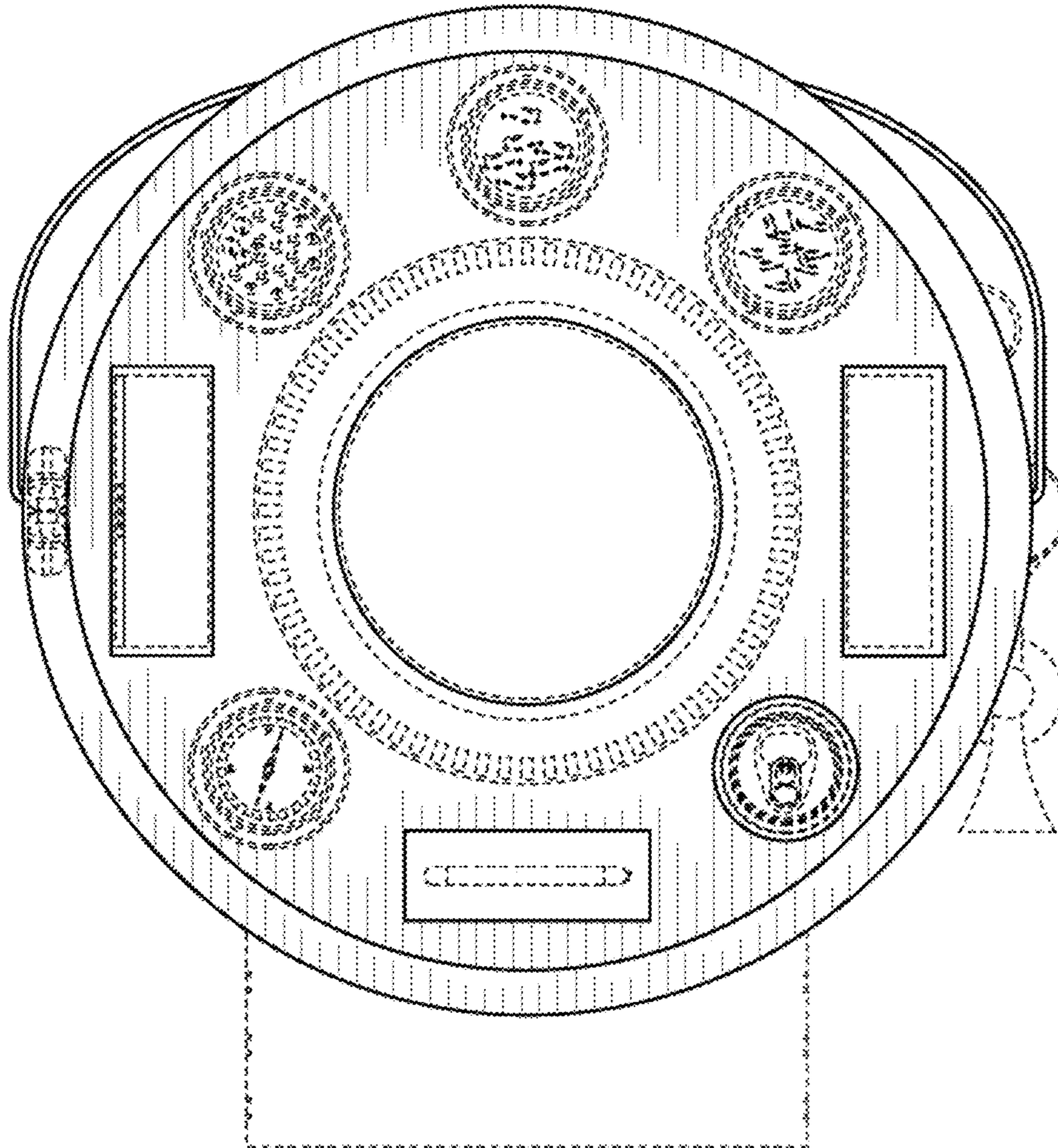


FIG. 6

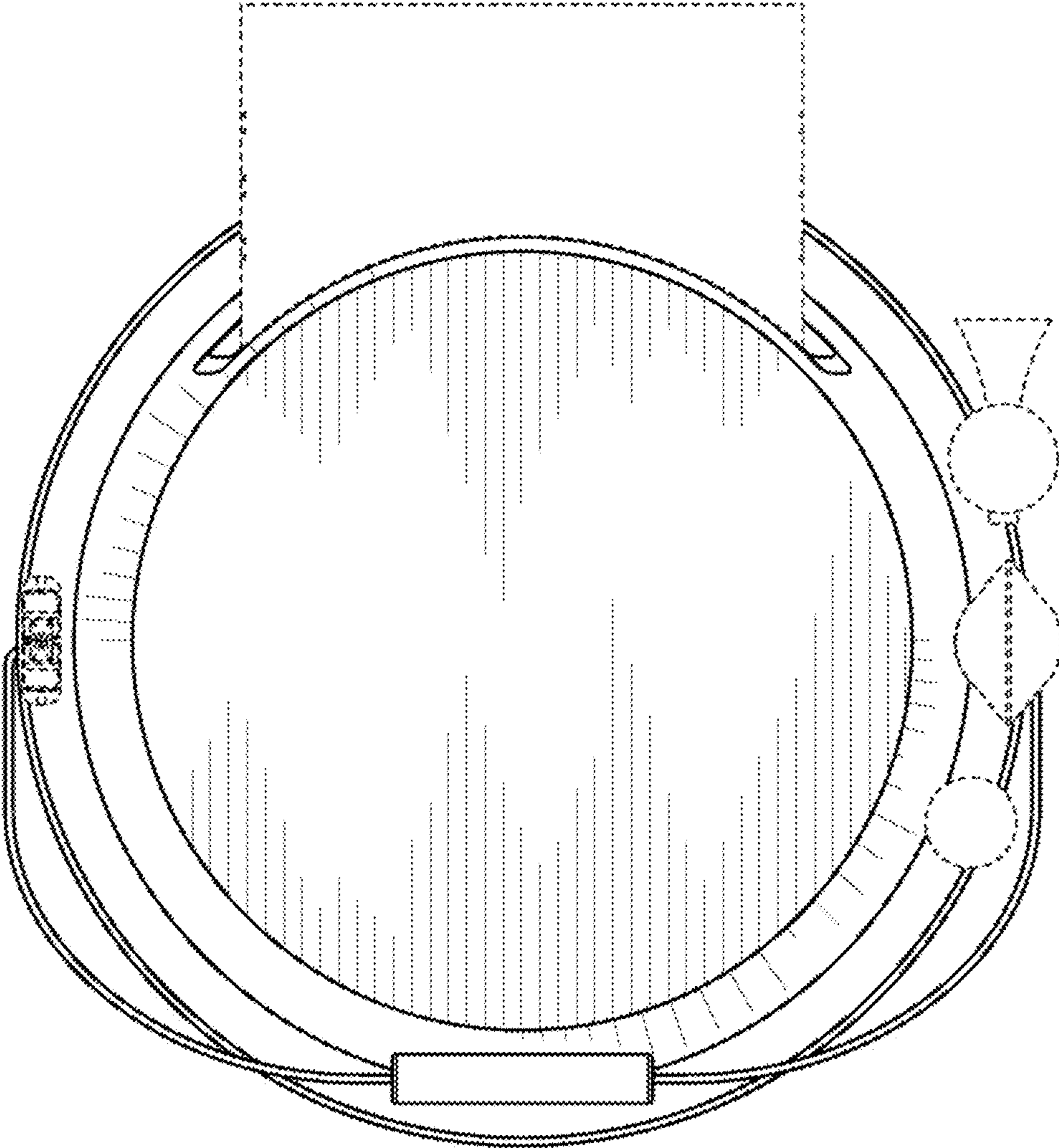


FIG. 7