



US00D890457S

(12) **United States Design Patent**
Pearce

(10) **Patent No.:** **US D890,457 S**
(45) **Date of Patent:** **** Jul. 14, 2020**

- (54) **ROBOT VACUUM**
- (71) Applicant: **SharkNinja Operating, LLC**,
Needham, MA (US)
- (72) Inventor: **Emily Pearce**, Somerville, MA (US)
- (73) Assignee: **SharkNinja Operating LLC**,
Needham, MA (US)
- (**) Term: **15 Years**
- (21) Appl. No.: **29/658,667**
- (22) Filed: **Aug. 1, 2018**
- (51) **LOC (12) Cl.** **15-05**
- (52) **U.S. Cl.**
USPC **D32/21**
- (58) **Field of Classification Search**
USPC D32/21, 23-24, 31
CPC ... E04H 4/1654; E04H 4/1663; E04H 4/1672;
A47L 9/2842; A47L 9/2636; A47L
9/2852; G06N 3/008; G05D 1/0225
See application file for complete search history.

D835,869 S * 12/2018 Li D32/21
D840,617 S * 2/2019 Dou D32/21
D843,671 S * 3/2019 Chei D32/21

FOREIGN PATENT DOCUMENTS

EM 002593442-0002 1/2015

* cited by examiner

Primary Examiner — Michael A. Pratt

(74) *Attorney, Agent, or Firm* — Grossman Tucker
Perreault & Pflieger, PLLC

(57) **CLAIM**

I claim the ornamental design for a robot vacuum, as shown
and described.

DESCRIPTION

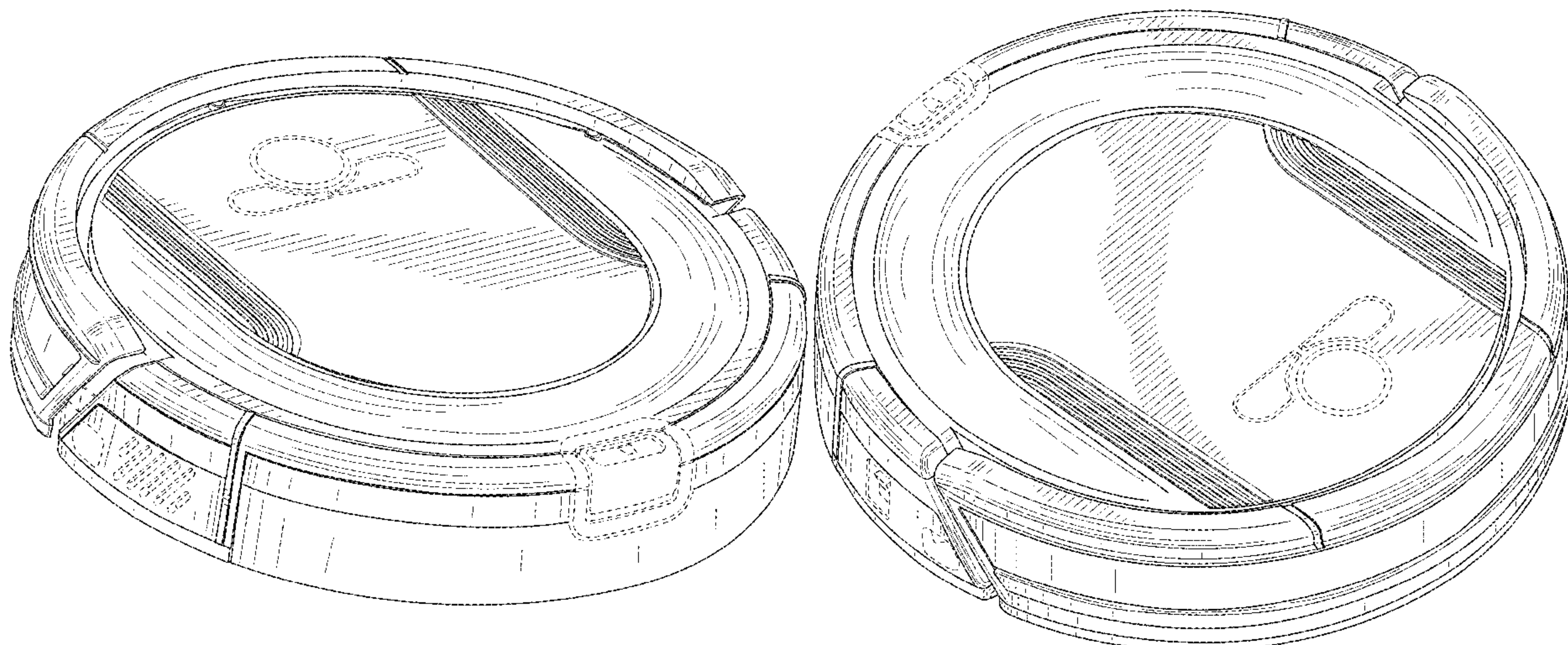
FIG. 1 is a rear, top, left perspective view of a robot vacuum,
showing a new design;
FIG. 2 is a rear, top, right perspective view thereof;
FIG. 3 is a front, top, right perspective view thereof;
FIG. 4 is a front, top, left perspective view thereof;
FIG. 5 a rear, bottom, left perspective view of a robot
vacuum, showing a new design;
FIG. 6 is a rear, bottom, right perspective view thereof;
FIG. 7 is a front, bottom, right perspective view thereof;
FIG. 8 is a front, bottom, left perspective view thereof;
FIG. 9 is a top view thereof.
FIG. 10 is a bottom view thereof.
FIG. 11 is a rear view thereof;
FIG. 12 is a front view thereof;
FIG. 13 is a right view thereof; and,
FIG. 14 is a left view thereof.
Broken lines in the drawings are for the purpose of illus-
trating portions of the battery pack that form no part of the
claimed design.

(56) **References Cited**

U.S. PATENT DOCUMENTS

- D548,902 S * 8/2007 Chun D32/21
- D556,961 S * 12/2007 Swyst D15/199
- D665,547 S * 8/2012 Nam D32/21
- D669,235 S * 10/2012 Bassett D32/21
- D690,478 S * 9/2013 Li D32/21
- D703,397 S * 4/2014 Sungkyung D32/21
- D714,002 S * 9/2014 Casini D32/21
- D714,003 S * 9/2014 Casini D32/21
- D715,504 S * 10/2014 Deoksang D32/21
- D771,884 S * 11/2016 Ninomiya D32/21
- D796,757 S 9/2017 Verhoorn et al.

1 Claim, 12 Drawing Sheets



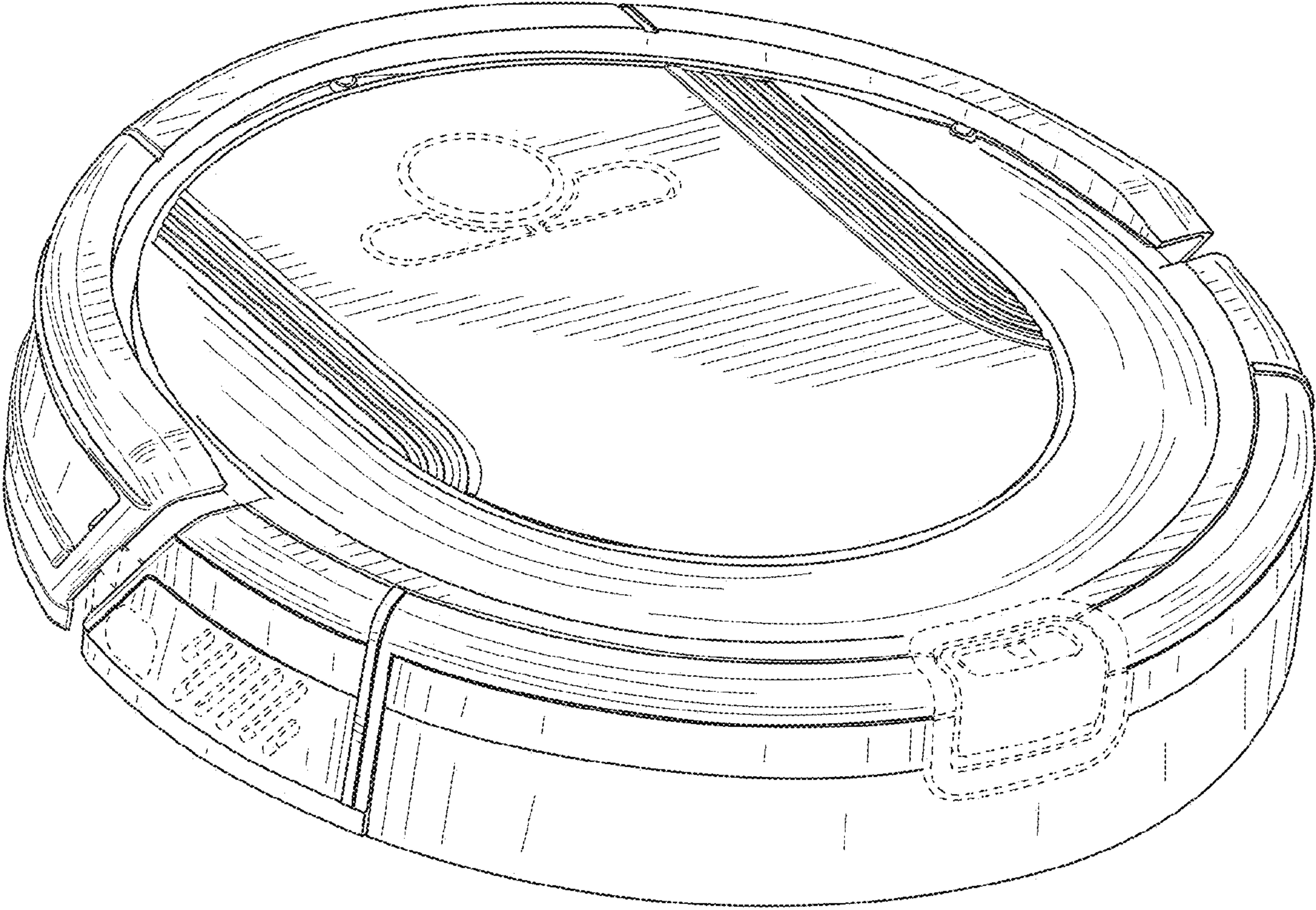


FIG. 1

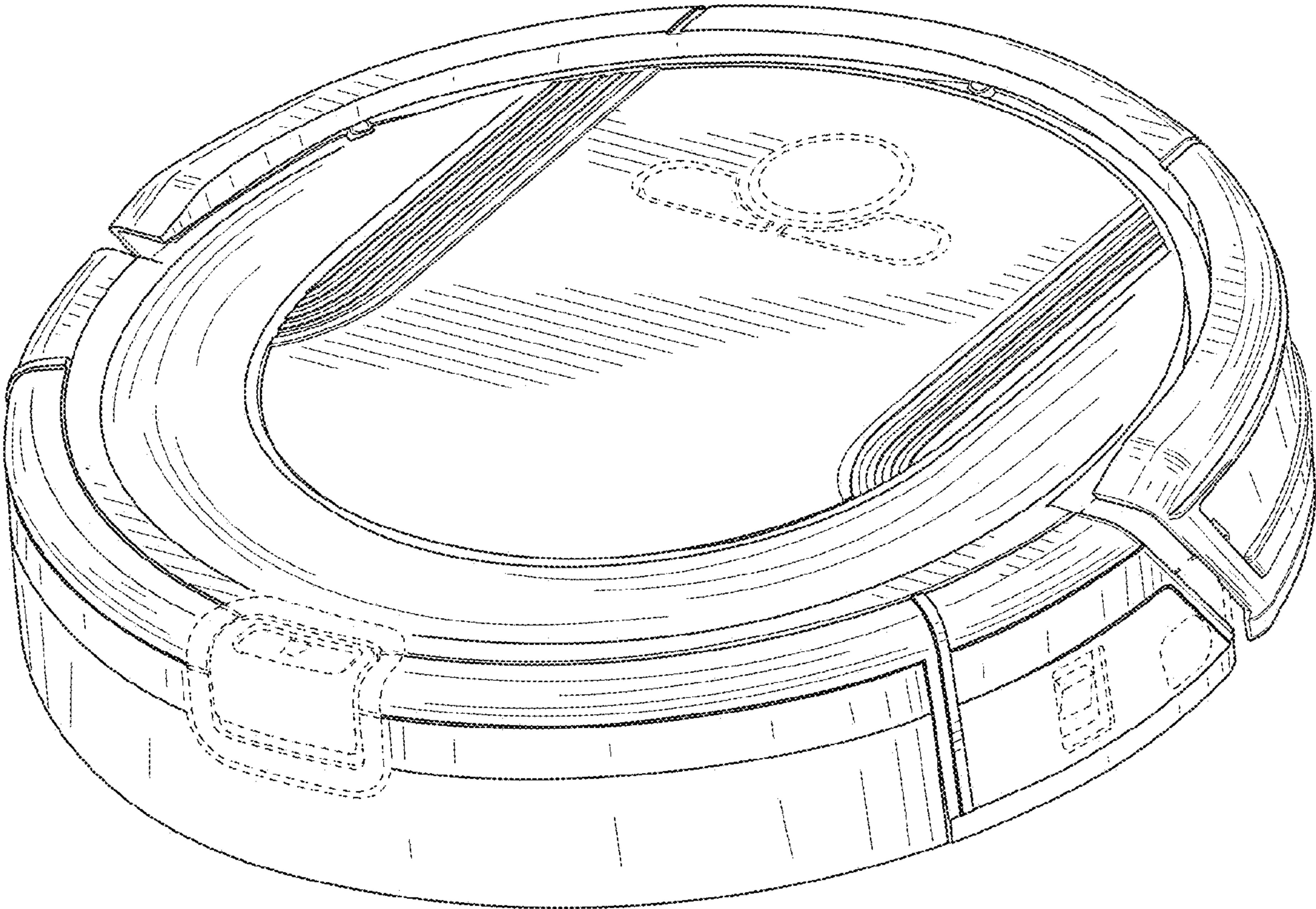


FIG. 2

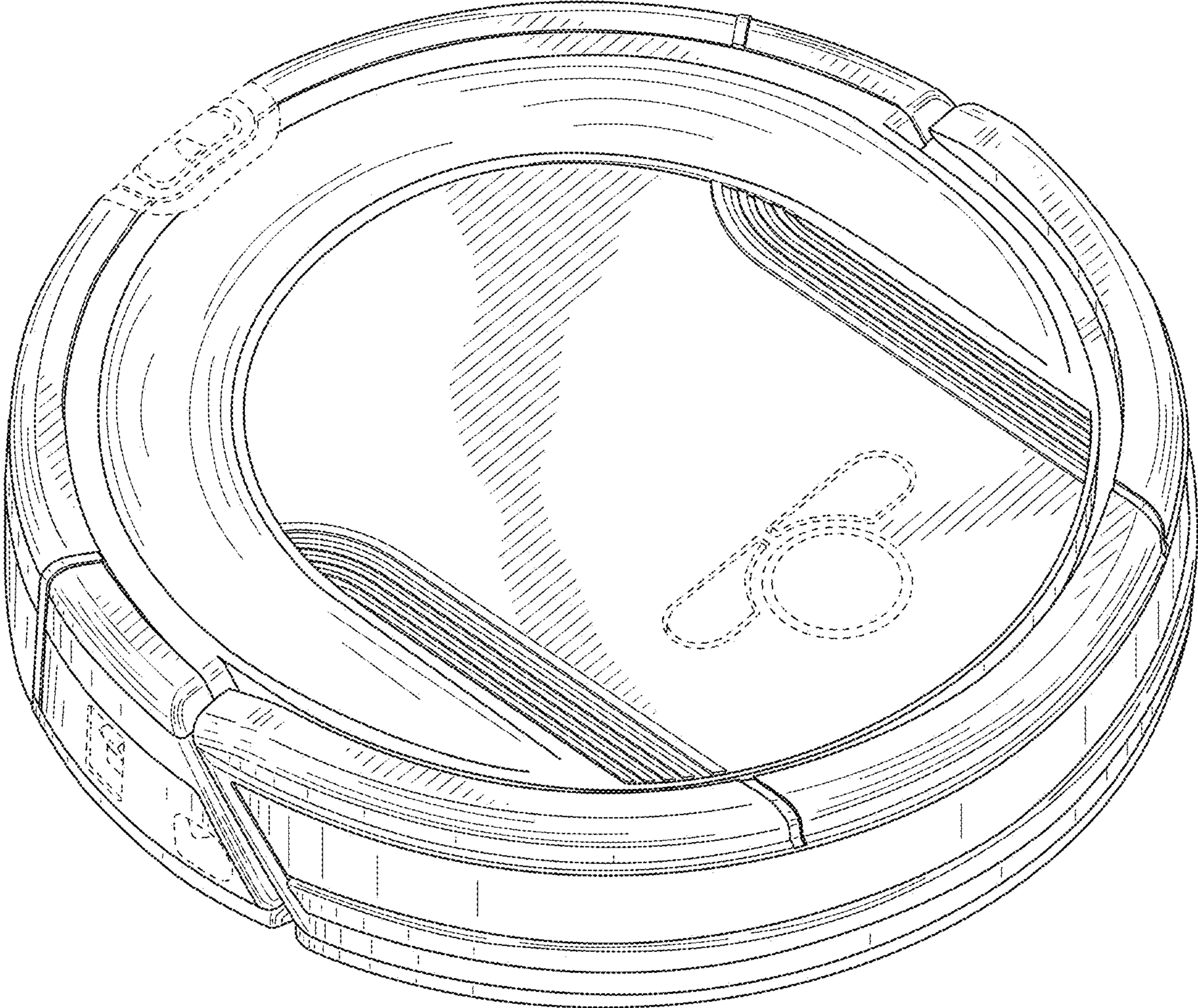


FIG. 3

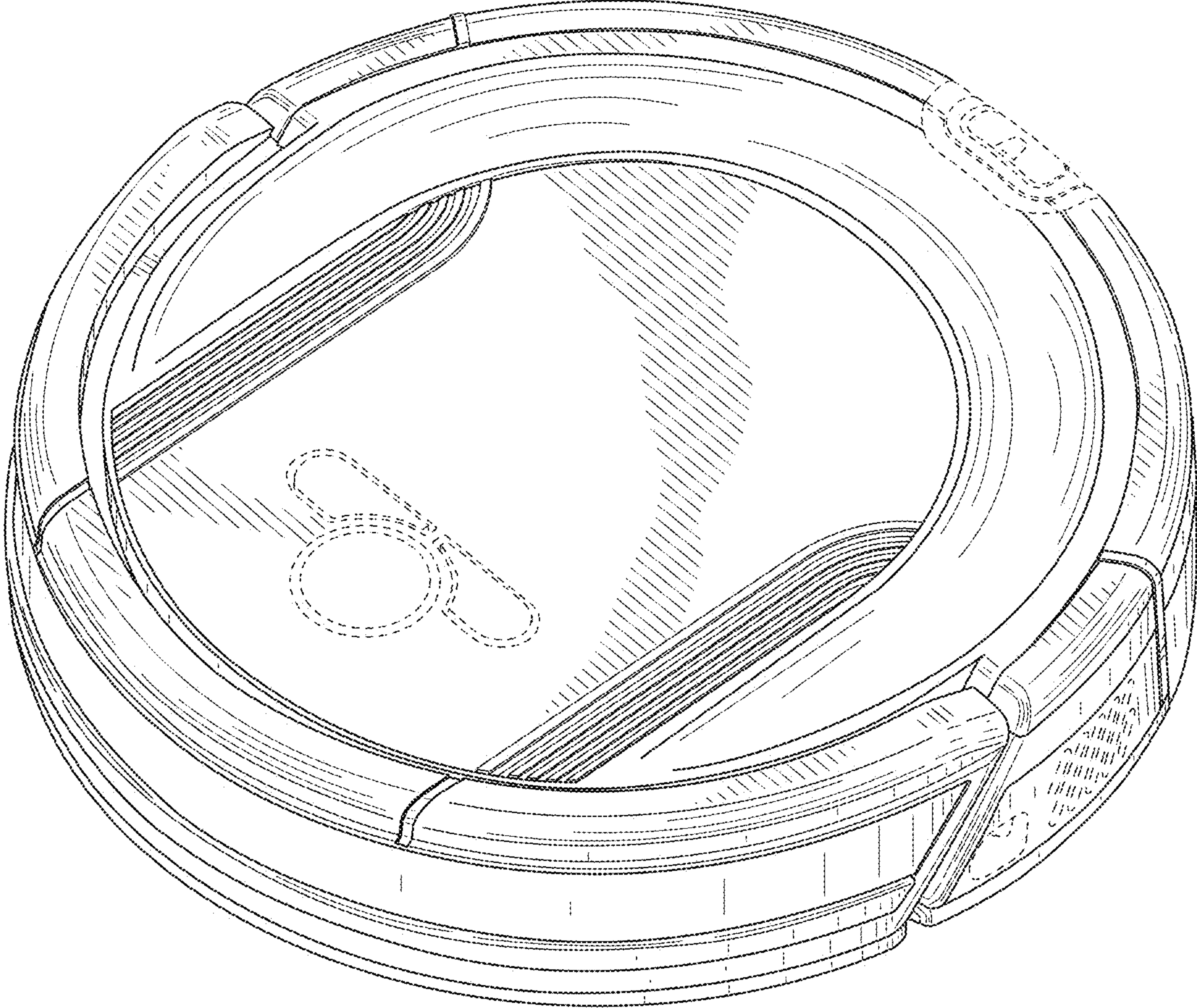


FIG. 4

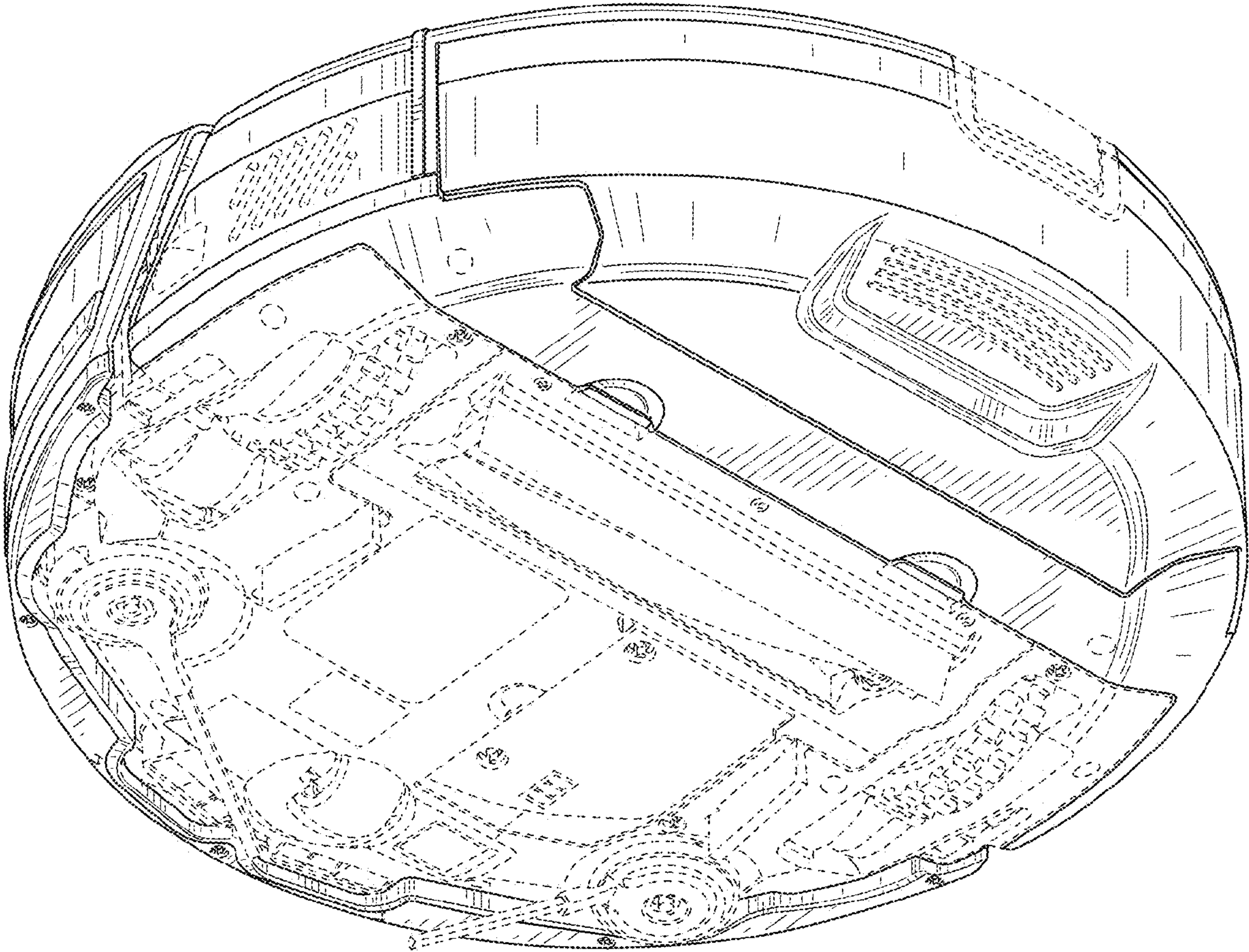


FIG. 5

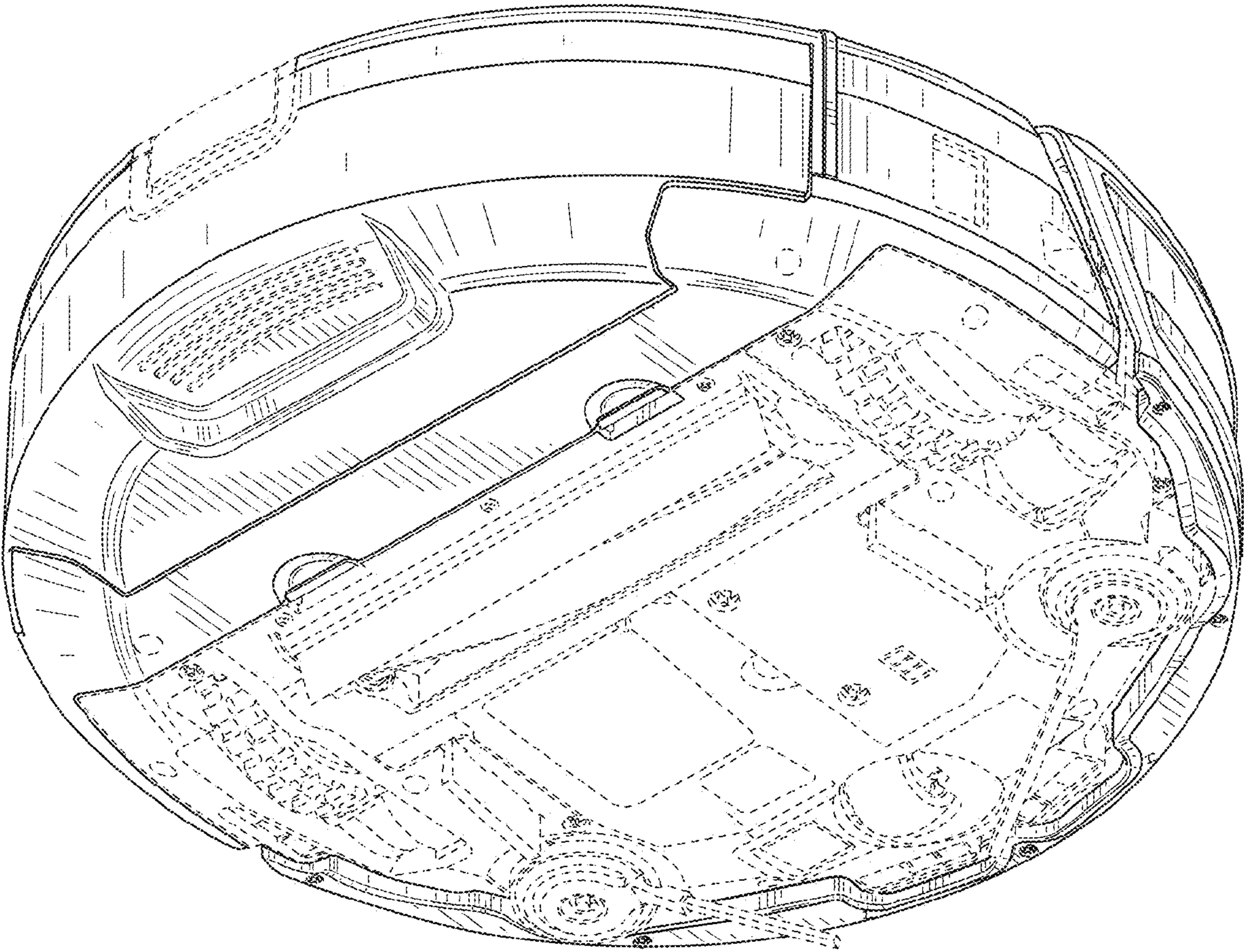


FIG. 6

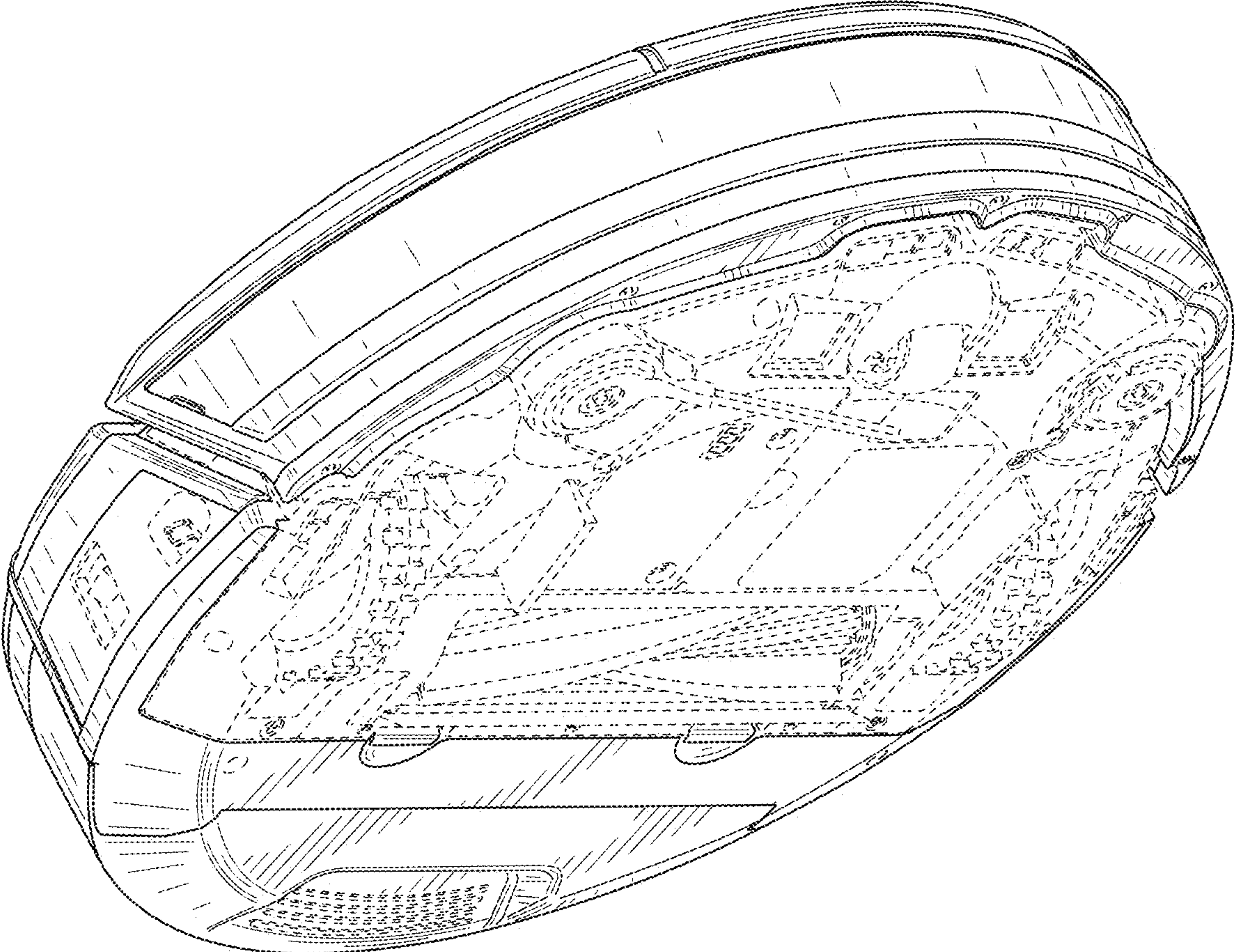


FIG. 7

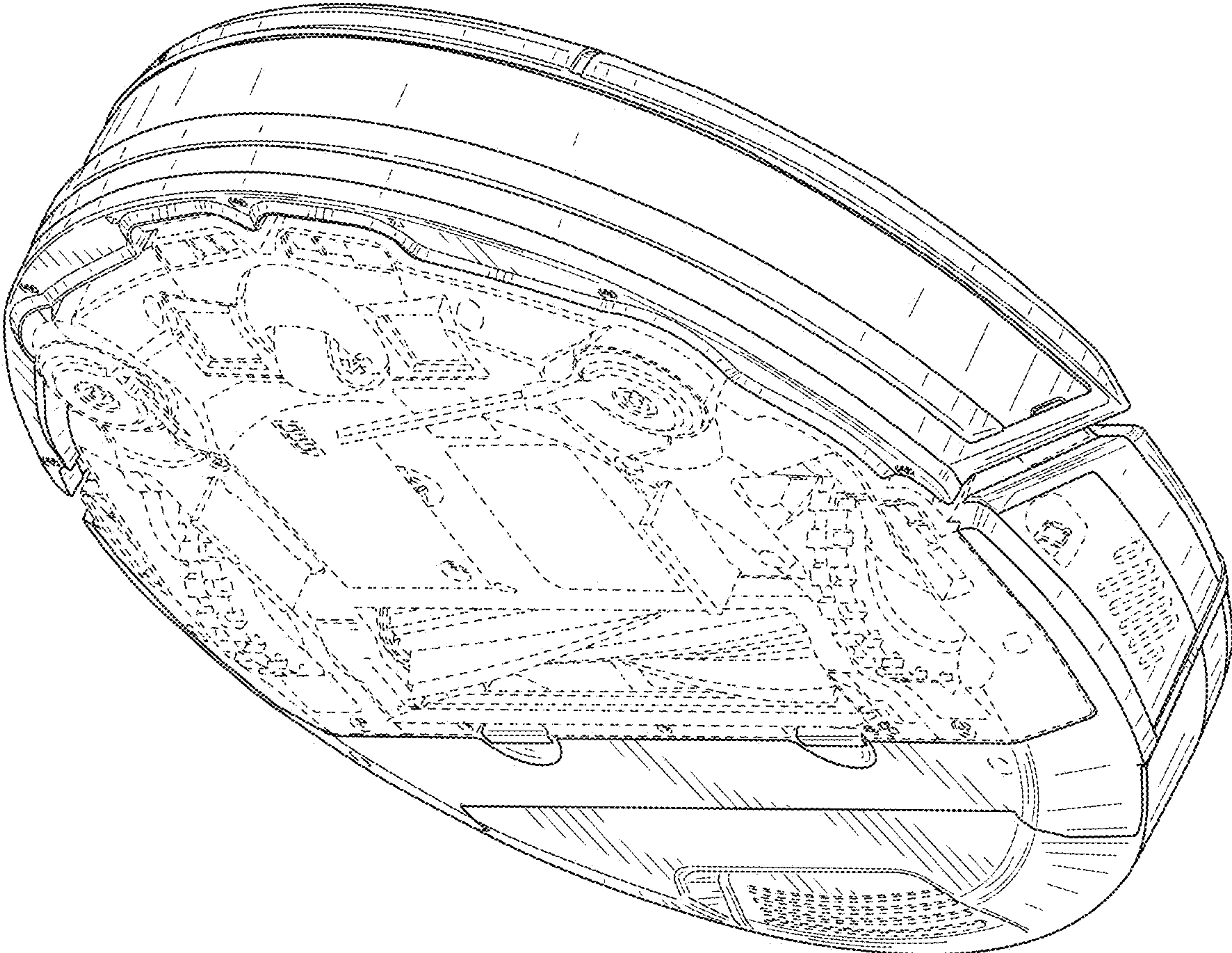


FIG. 8

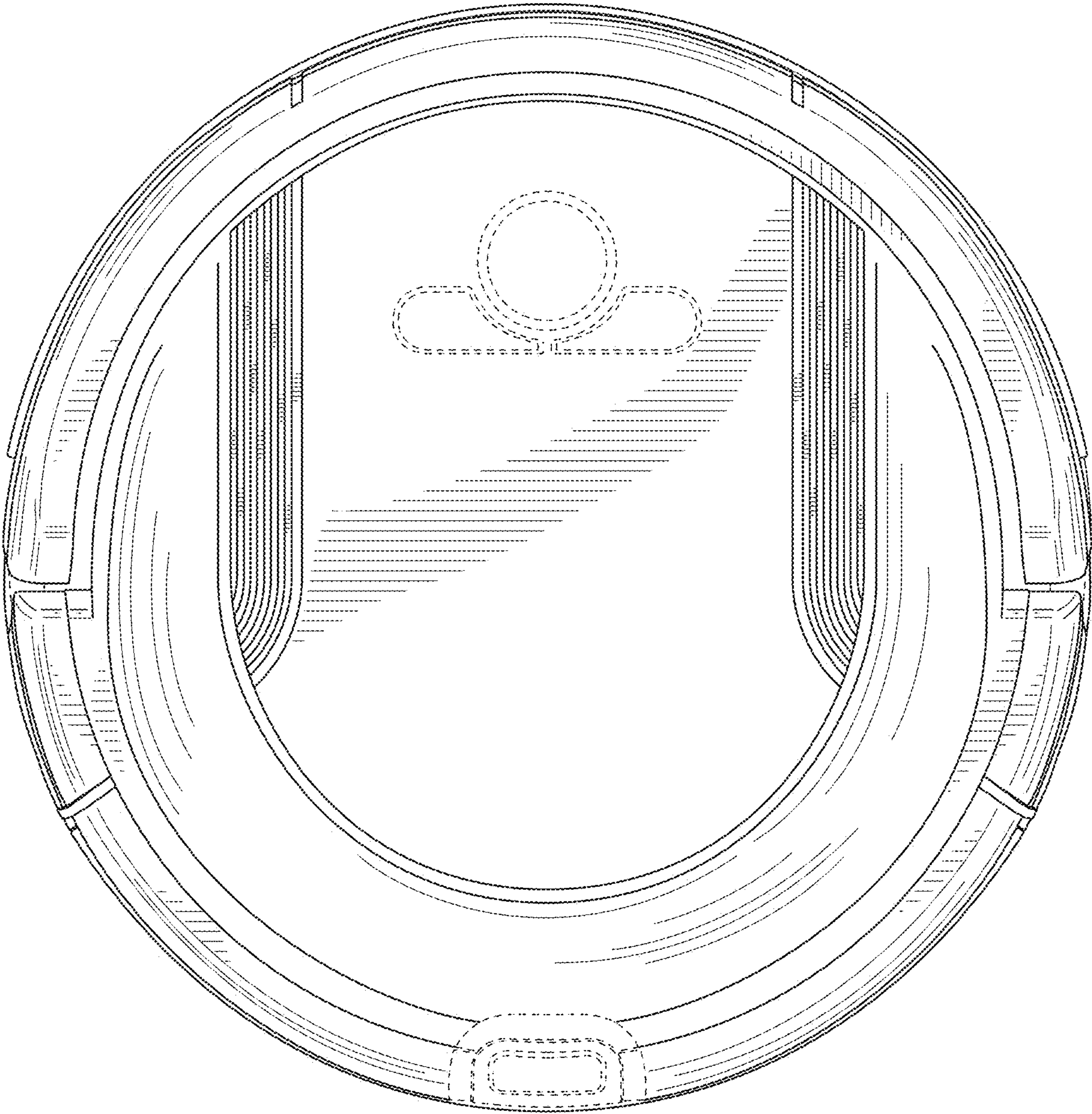


FIG. 9

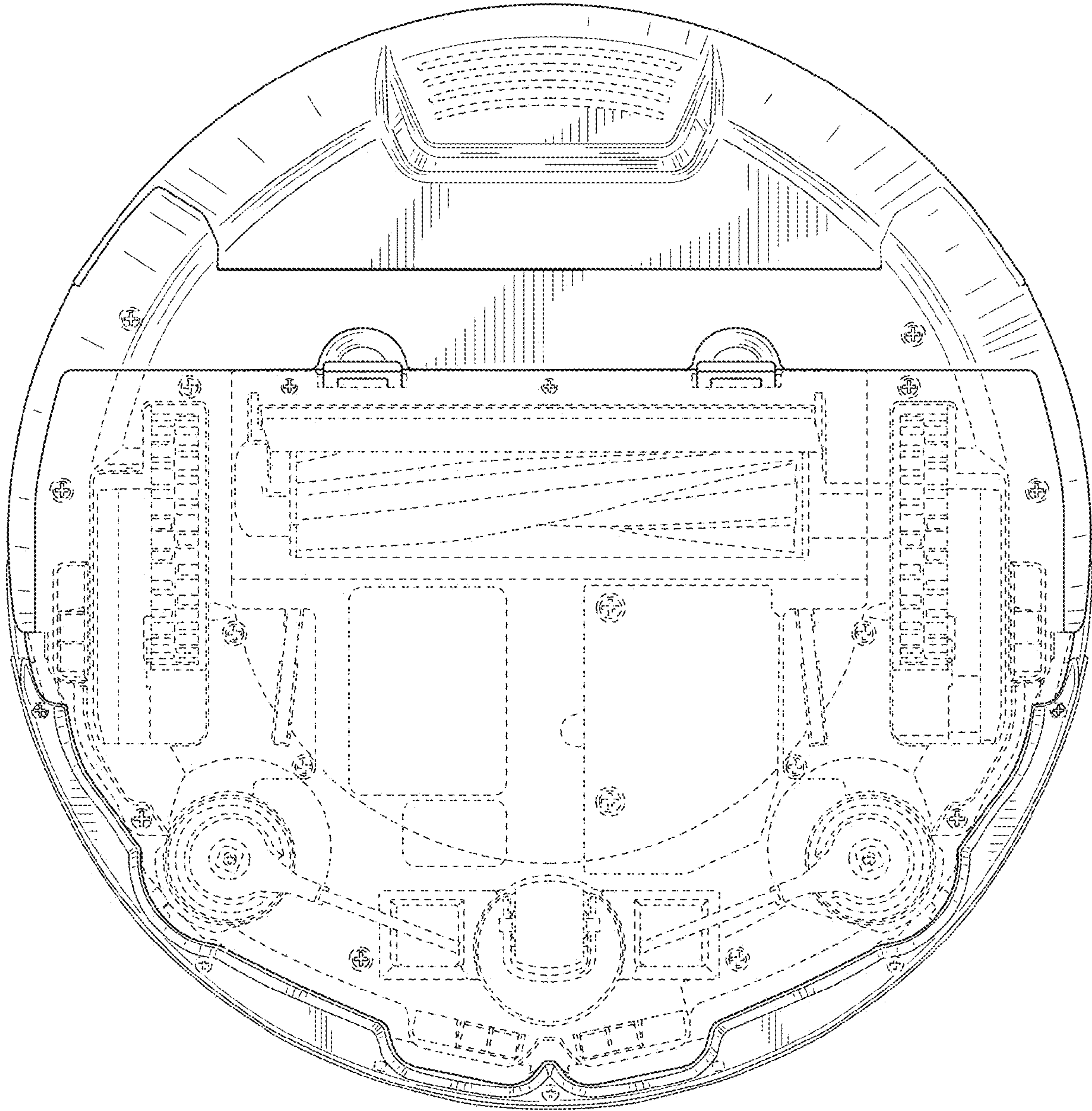


FIG. 10

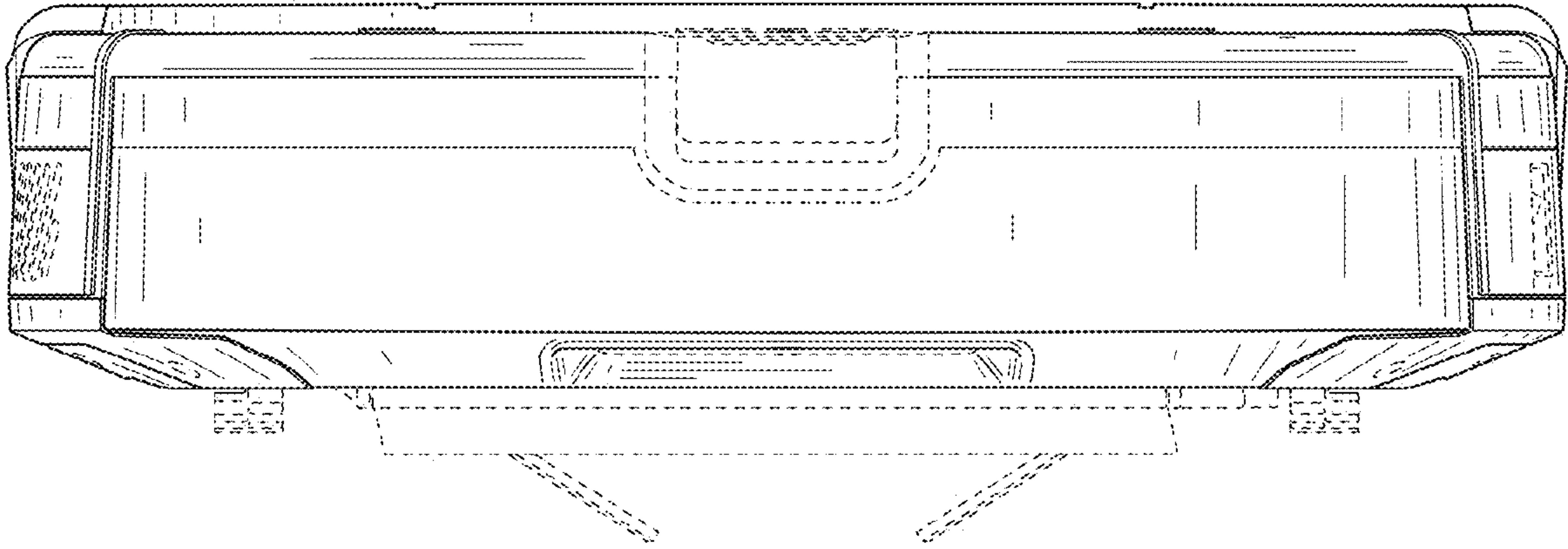


FIG. 11

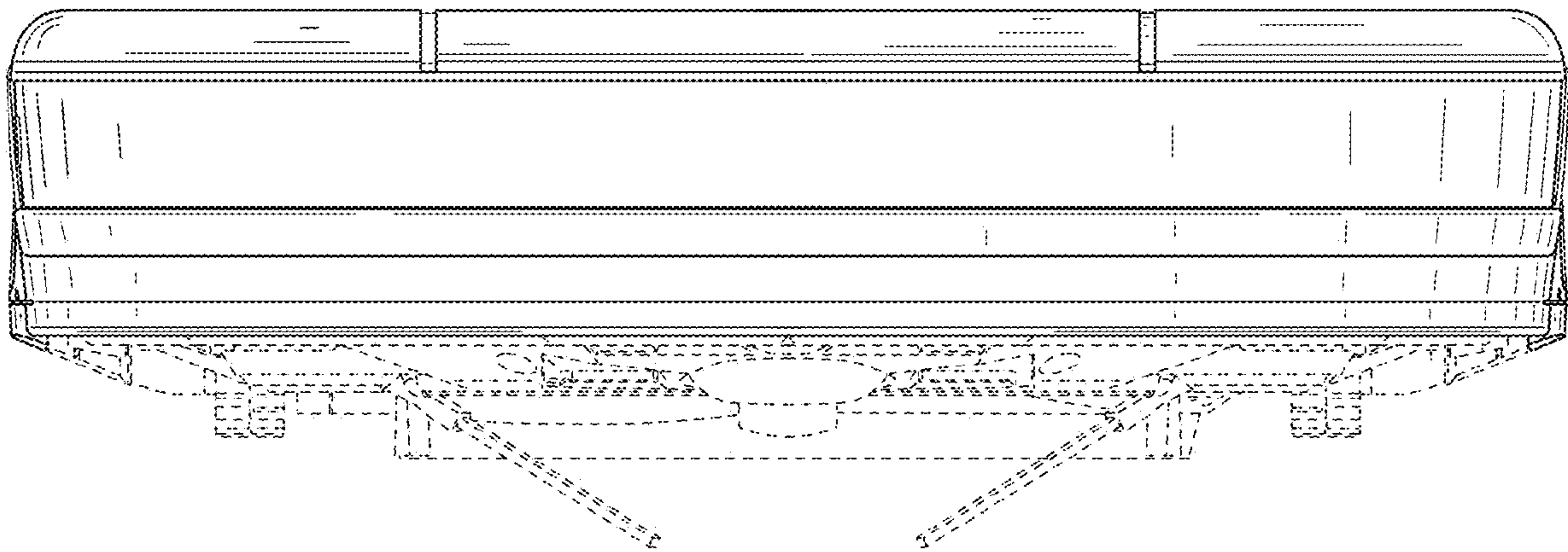


FIG. 12

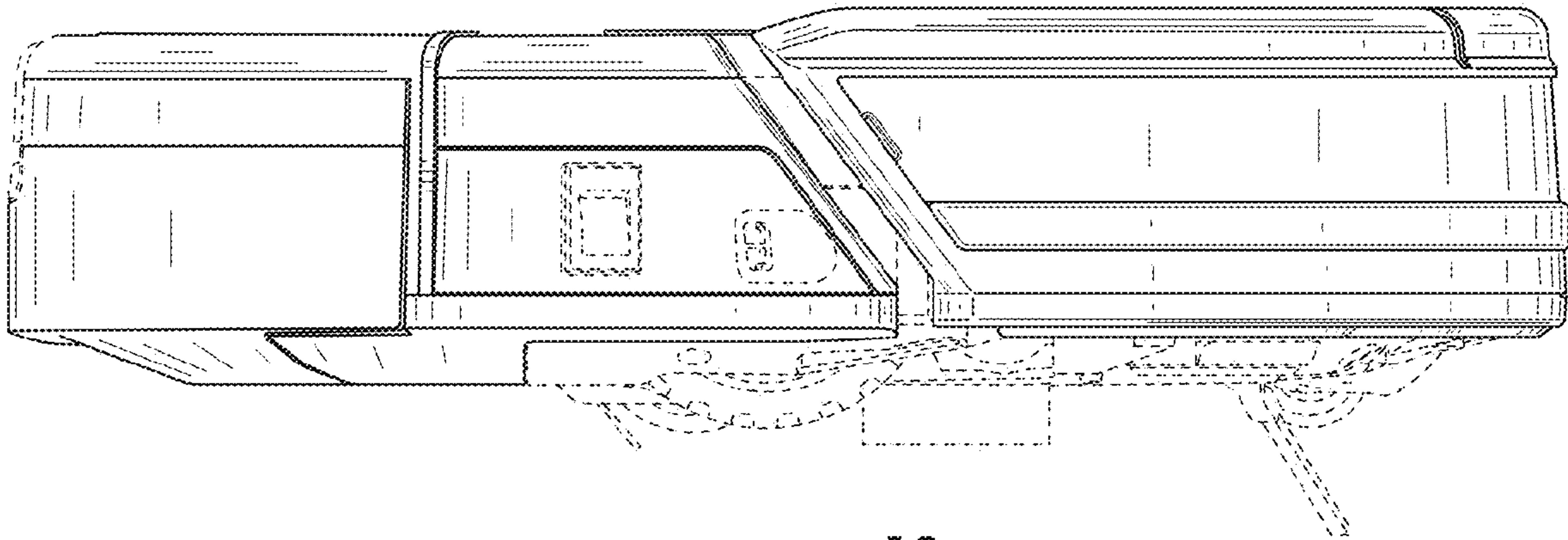


FIG. 13

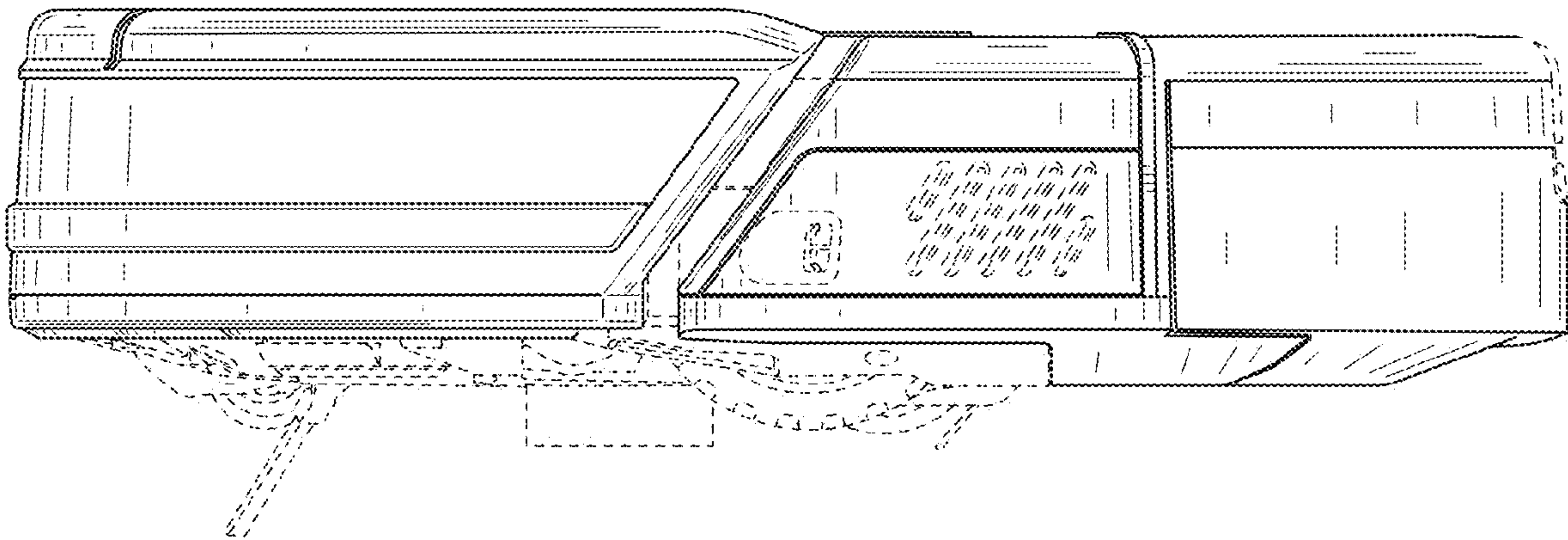


FIG. 14