



US00D890456S

(12) **United States Design Patent**  
**Dai**

(10) **Patent No.:** **US D890,456 S**  
(45) **Date of Patent:** **\*\* Jul. 14, 2020**

(54) **DOG TRAINING DEVICE**

(71) Applicant: **SHENZHEN XUANYUXING TECHNOLOGY CO., LTD.**, Shajing Street, Shenzhen (CN)

(72) Inventor: **Lirong Dai**, Shenzhen (CN)

(73) Assignee: **SHENZHEN XUANYUXING TECHNOLOGY CO., LTD.**, Shenzhen (CN)

(\*\*) Term: **15 Years**

(21) Appl. No.: **29/673,127**

(22) Filed: **Dec. 12, 2018**

(51) **LOC (12) Cl.** ..... **30-99**

(52) **U.S. Cl.**  
USPC ..... **D30/199; D30/104.1**

(58) **Field of Classification Search**  
USPC ..... D30/151-155, 144, 199, 160;  
119/792-798, 850, 855-859, 863-865,  
119/654, 905, 907, 815, 712, 802, 784,  
119/769, 760, 776, 862, 908, 860,  
119/719-721; 242/381.1-381.2, 385.4,  
242/378.3, 376.1, 385.1, 916, 601, 570,  
242/405, 404, 371, 223, 170, 388.1,  
242/405.2, 377, 381.3, 381.6, 405.3,  
242/388.6, 384.7, 382, 396.1, 404.1, 380;  
362/108; 33/767, 769, 414; D12/400;  
D3/229, 230, 207, 208, 215; 40/1.5, 455,  
40/640, 303; 206/63.3, 459.5, 702, 408;  
D6/515; D8/358, 360, 347, 360.1, 359,  
D8/356, DIG. 1; D24/145, 167, 186, 146,  
D24/169; D10/57, 72, 106.1, 104.1,  
D10/104.2, 109.2, 70, 97, 98, 78, 65,  
D10/160.92, 106.91; D20/28; 224/666,  
224/678; 16/445; 283/74, 70; D11/232,  
D11/200, 216, 1, 2, 86, 87, 201, 206-210,  
D11/212-215, 218; 24/163 K, 122.3,  
24/323, 702, 600.4-600.7, 163 R,

24/169-171, 173, 177-179, 191, 194,  
24/195, 197, 200, 303, 616, 635, 313,  
24/615, 3, 6, 3 K, 599.2, 96, 221, 237,  
24/311, 312, 314, 321, 338, 339, 309;  
428/3, 4; 54/76, 1, 71; 63/29.1, 3;  
191/12.2 R, 12.4; D13/154, 153, 137.4,  
D13/155, 103, 168; D19/69.67;  
(Continued)

(56) **References Cited**

U.S. PATENT DOCUMENTS

D400,458 S \* 11/1998 Titus ..... D10/104.1  
D410,206 S \* 5/1999 Slater ..... D10/104.1  
(Continued)

*Primary Examiner* — Susan Moon Lee

(74) *Attorney, Agent, or Firm* — Law Offices of Steven W. Weinrieb

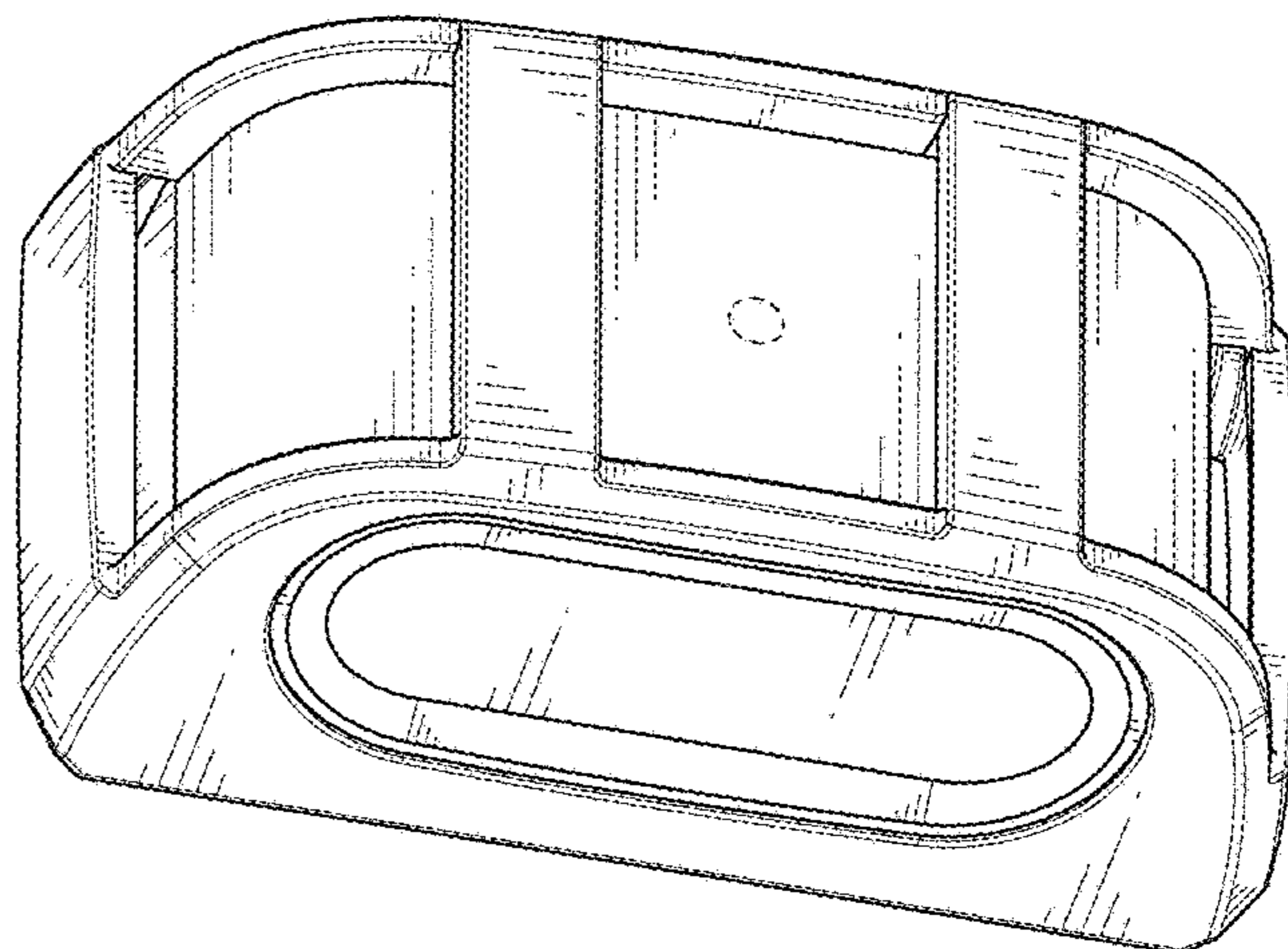
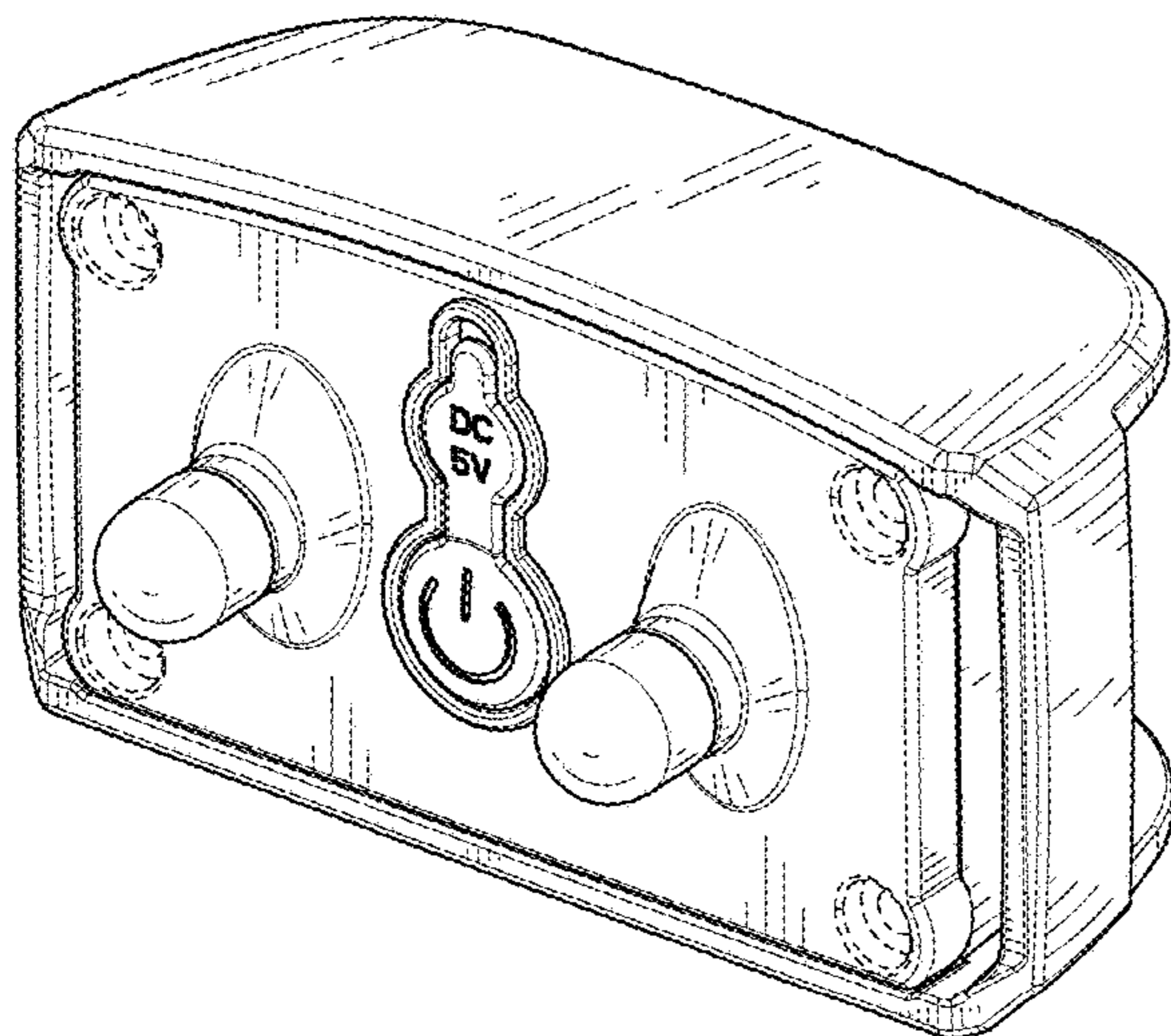
(57) **CLAIM**

The ornamental design for a dog training device, as shown and described.

**DESCRIPTION**

FIG. 1 is a front, right side, top, perspective view of the dog training device showing my new design;  
FIG. 2 is a rear, left side, bottom perspective view thereof;  
FIG. 3 is a front elevational view;  
FIG. 4 is a rear elevational view thereof;  
FIG. 5 is a left side elevational view thereof;  
FIG. 6 is a right side elevational view thereof;  
FIG. 7 is a top plan view thereof; and,  
FIG. 8 is a bottom plan view thereof.  
The broken lines immediately adjacent to the claimed portions are boundaries, all other broken lines are environmental structures; all the broken lines form no part of the claimed design.

**1 Claim, 8 Drawing Sheets**



(58) **Field of Classification Search**

USPC ..... 379/438; 446/26; 473/576; D22/140;  
 174/135; 439/504, 13, 501; D34/33;  
 188/83, 82.1, 65.1; 254/134.3 FT;  
 D29/124; D2/627, 624, 633, 625;  
 132/145, 146, 148; 2/314; 59/79.1;  
 340/573.3, 573.1, 573; 343/895;  
 278/8 AES; 231/7; 361/232; D14/344,  
 D14/341, 137, 496, 203.5, 203.3, 144,  
 D14/218, 188, 216, 192; 342/357.51,  
 342/357.57, 357.52, 357.55  
 CPC .... A01K 15/021; A01K 15/02; A01K 15/022;  
 A01K 15/023; A01K 15/029; A01K  
 15/04; A01K 15/00; A01K 15/006; A01K  
 12/022; A01K 27/009; A01K 27/00;  
 A01K 27/001; A01K 27/006-008; A01K  
 29/005; A01K 29/00; A61B 5/0002-0028;  
 A61B 5/681; A61B 5/6822; A61B  
 5/6824; A61B 5/6829; A01M 29/16;  
 A01M 29/18; A01M 29/24

See application file for complete search history.

(56) **References Cited**

U.S. PATENT DOCUMENTS

D445,352 S \* 7/2001 So ..... D30/199  
 D478,830 S \* 8/2003 So ..... D30/152  
 D478,831 S \* 8/2003 So ..... D10/104.1  
 6,907,844 B1 \* 6/2005 Crist ..... A01K 15/022  
 119/718  
 6,928,958 B2 \* 8/2005 Crist ..... A01K 15/022  
 119/718  
 7,000,570 B2 \* 2/2006 Napolez ..... A01K 15/022  
 119/718  
 D520,894 S \* 5/2006 Zakharyan ..... D30/199  
 D522,187 S \* 5/2006 Nottingham ..... D30/152  
 D523,998 S \* 6/2006 Nottingham ..... D10/104.1  
 D526,590 S \* 8/2006 So ..... D10/104.1  
 7,198,009 B2 \* 4/2007 Crist ..... A01K 15/022  
 119/718  
 7,252,051 B2 \* 8/2007 Napolez ..... A01K 15/022  
 119/718  
 D553,037 S \* 10/2007 Zakharyan ..... D30/152  
 D555,298 S \* 11/2007 Garon ..... D30/152  
 7,552,699 B2 \* 6/2009 Moore ..... A01K 15/021  
 119/719  
 D632,853 S \* 2/2011 Hardi ..... D30/144  
 D657,098 S \* 4/2012 So ..... D30/152

D665,952 S \* 8/2012 Guo ..... D30/152  
 D673,334 S \* 12/2012 Guo ..... D30/152  
 D683,915 S \* 6/2013 So ..... D30/152  
 D698,685 S \* 2/2014 Sayegh ..... D10/106.91  
 8,714,113 B2 \* 5/2014 Lee, IV ..... A01K 15/022  
 119/718  
 D706,500 S \* 6/2014 Hu ..... D30/152  
 8,803,692 B2 \* 8/2014 Goetzl ..... A01K 27/009  
 340/573.3  
 D715,675 S \* 10/2014 Ma ..... D11/3  
 D742,817 S \* 11/2015 Lammers-Meis ..... D13/103  
 9,247,714 B1 \* 2/2016 Tait ..... A01K 15/021  
 D798,003 S \* 9/2017 Dong ..... D30/199  
 D811,016 S \* 2/2018 Liu ..... D30/152  
 D812,499 S \* 3/2018 Kuh ..... D10/70  
 D819,280 S \* 5/2018 Li ..... D30/199  
 D822,921 S \* 7/2018 Wen ..... D30/199  
 10,058,089 B1 \* 8/2018 Stephens ..... A01M 29/16  
 D834,769 S \* 11/2018 Wen ..... D30/199  
 D835,364 S \* 12/2018 Lee ..... D30/199  
 10,154,651 B2 \* 12/2018 Goetzl ..... A01K 15/023  
 10,228,447 B2 \* 3/2019 Rich ..... G01S 19/14  
 D858,904 S \* 9/2019 Zinn ..... D30/152  
 D870,399 S \* 12/2019 Van Curen ..... D30/152  
 2005/0059909 A1 \* 3/2005 Burgess ..... A61F 7/007  
 601/15  
 2005/0145196 A1 \* 7/2005 Crist ..... A01K 15/022  
 119/718  
 2005/0145200 A1 \* 7/2005 Napolez ..... A01K 15/022  
 119/718  
 2007/0227465 A1 \* 10/2007 Gerig ..... A01K 15/021  
 119/859  
 2012/0160183 A1 \* 6/2012 So ..... A01K 15/021  
 119/720  
 2013/0027207 A1 \* 1/2013 Goetzl ..... A01K 11/008  
 340/573.3  
 2013/0112153 A1 \* 5/2013 So ..... A01K 15/021  
 119/720  
 2013/0233252 A1 \* 9/2013 Bellon ..... A01K 15/021  
 119/720  
 2014/0261233 A1 \* 9/2014 So ..... A01K 27/009  
 119/720  
 2015/0040839 A1 \* 2/2015 Goetzl ..... A01K 15/023  
 119/720  
 2016/0192623 A1 \* 7/2016 Rich ..... A01K 15/023  
 119/721  
 2018/0132450 A1 \* 5/2018 Goetzl ..... A01K 27/009  
 2018/0153137 A1 \* 6/2018 Goetzl ..... A01K 15/022  
 2018/0153138 A1 \* 6/2018 Goetzl ..... A01K 15/022  
 2019/0170853 A1 \* 6/2019 Rich ..... G01S 19/14  
 2020/0015456 A1 \* 1/2020 Van Curen ..... A01K 27/009

\* cited by examiner

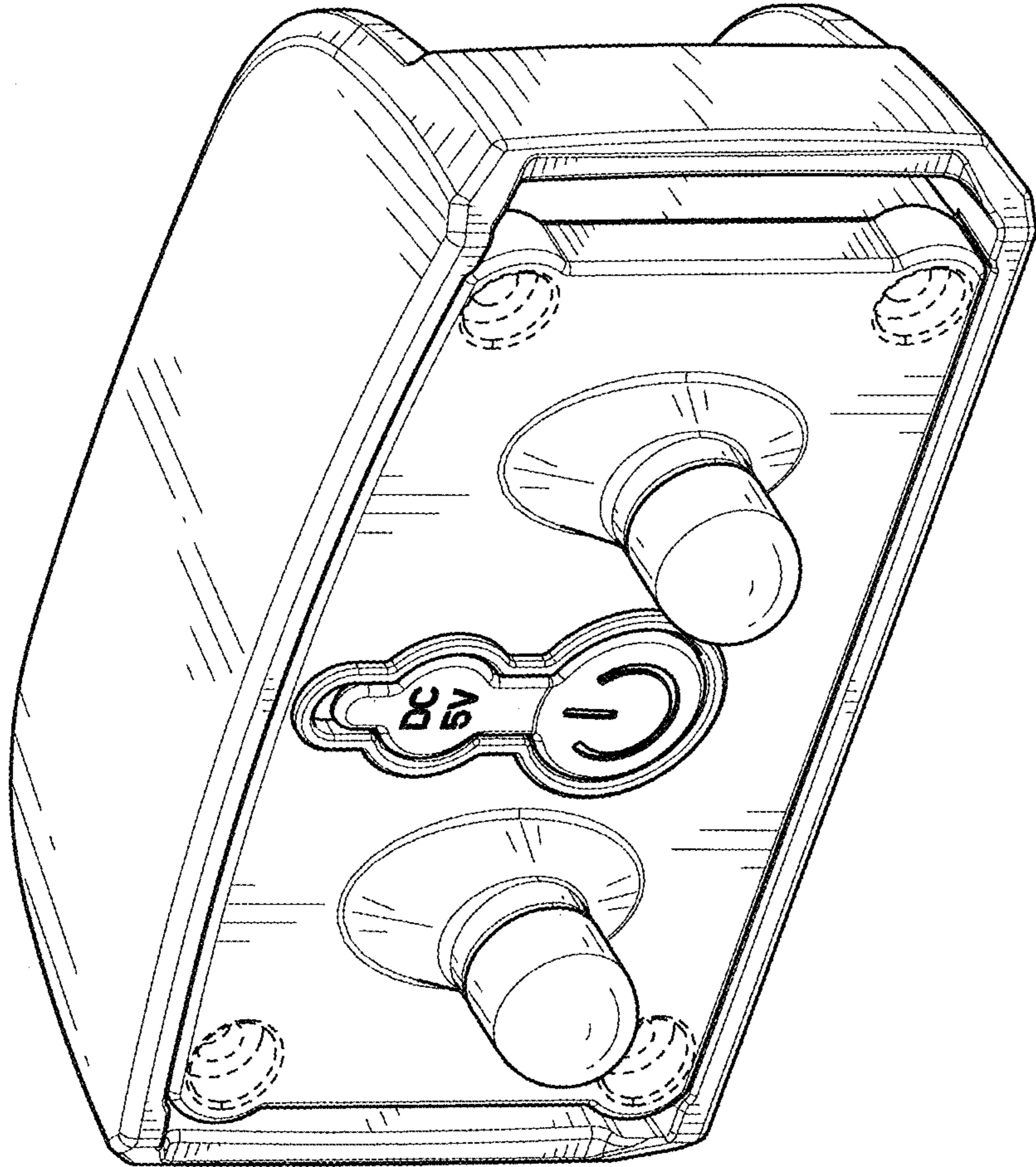


FIG. 1

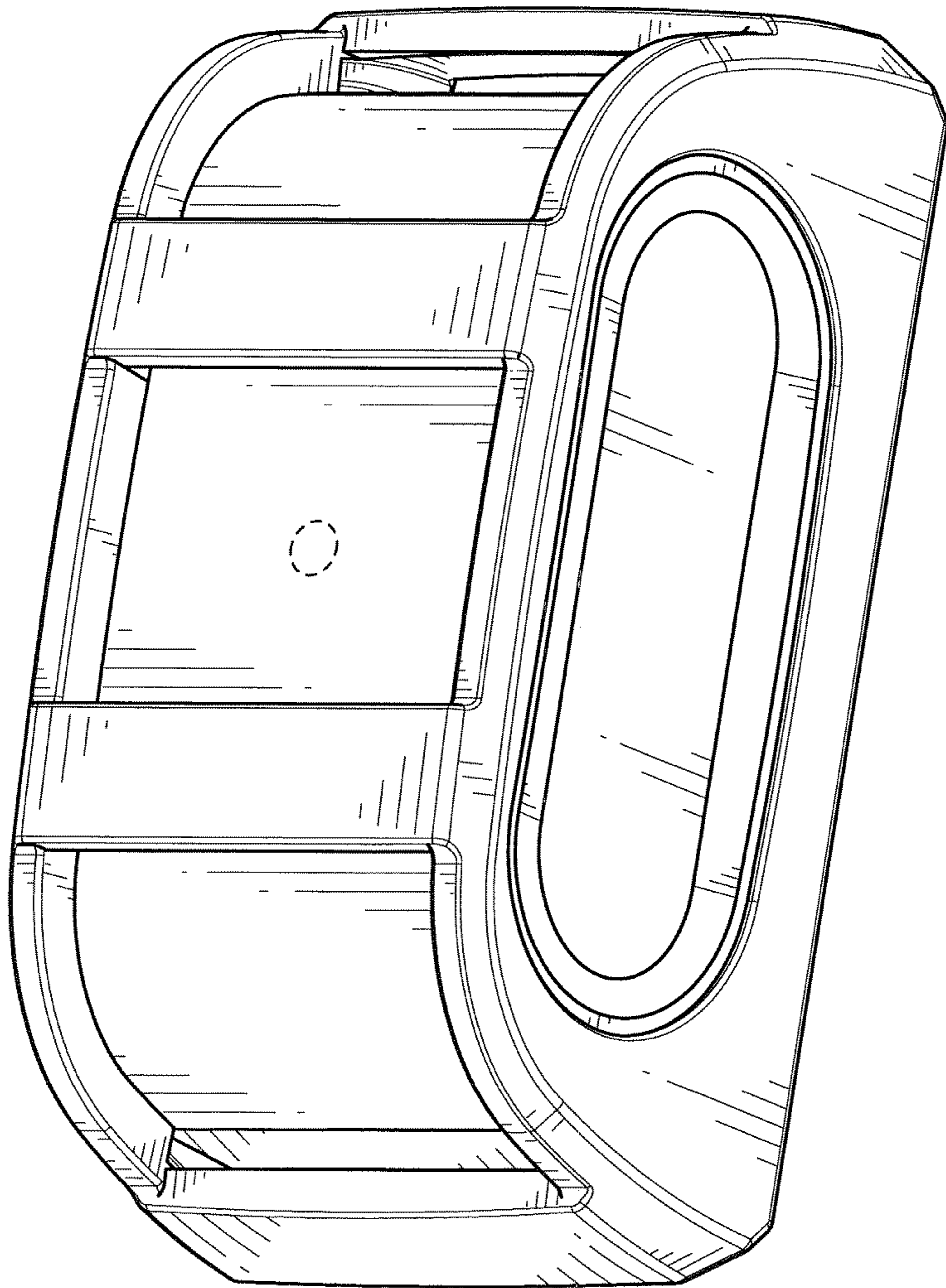


FIG. 2

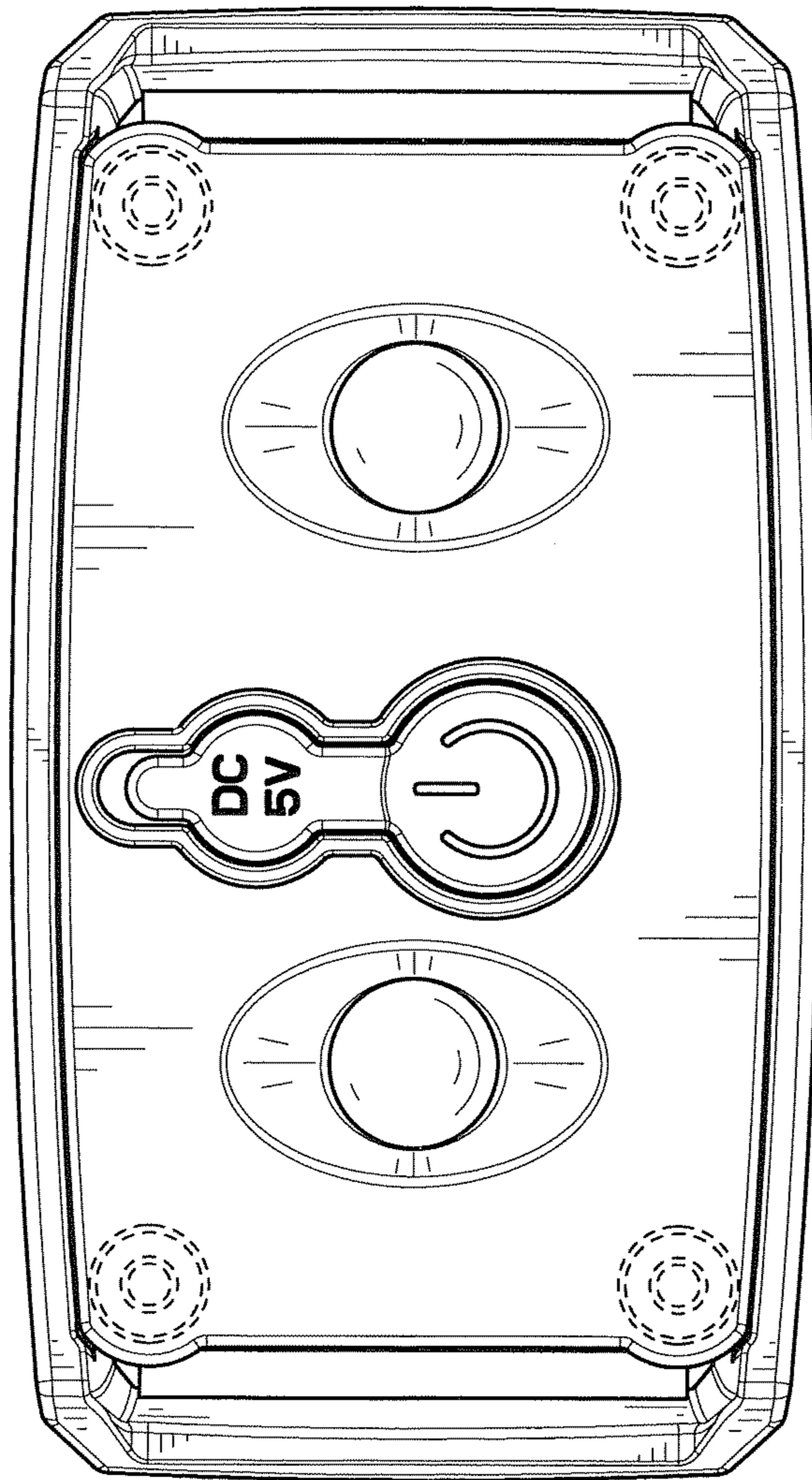


FIG. 3

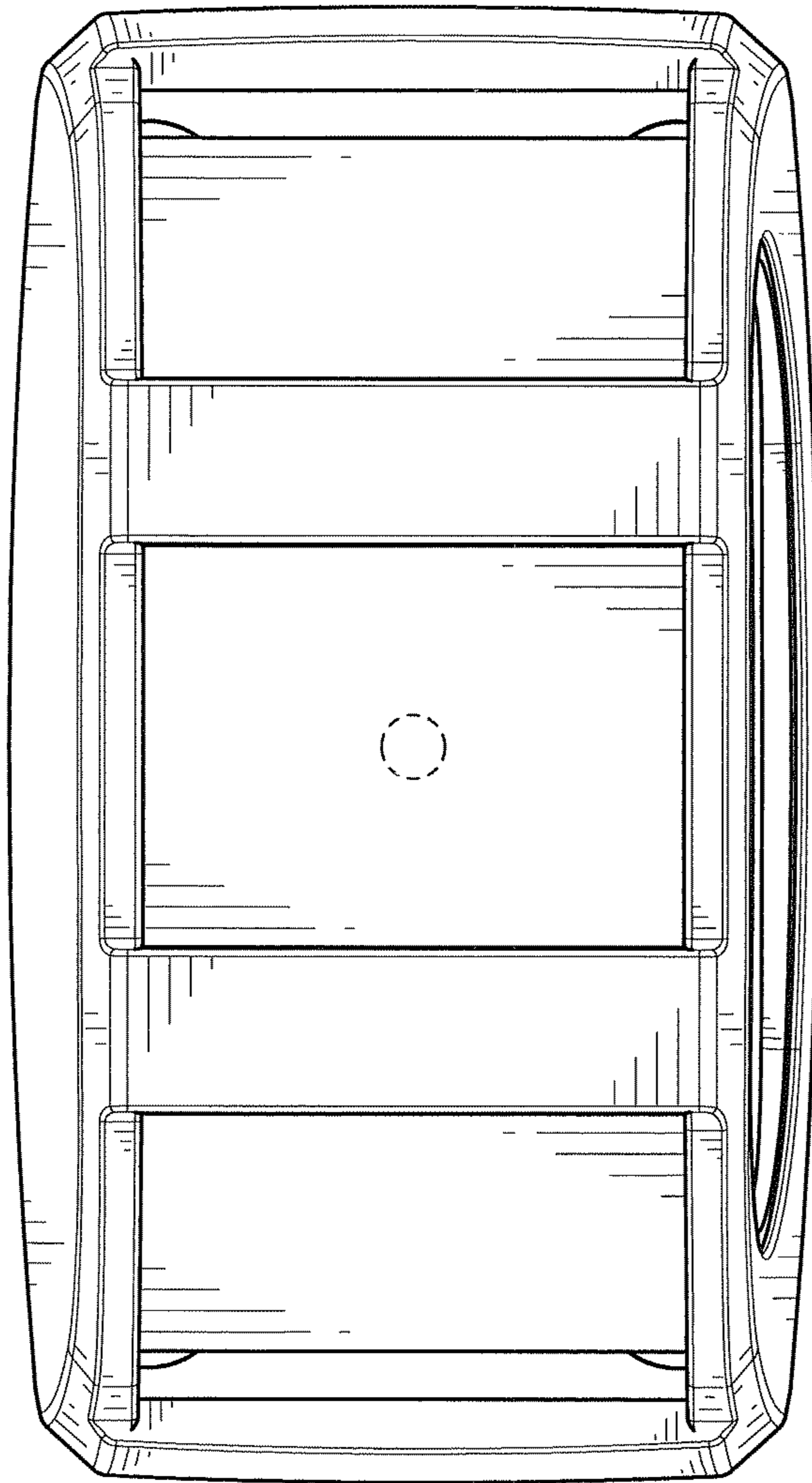


FIG. 4

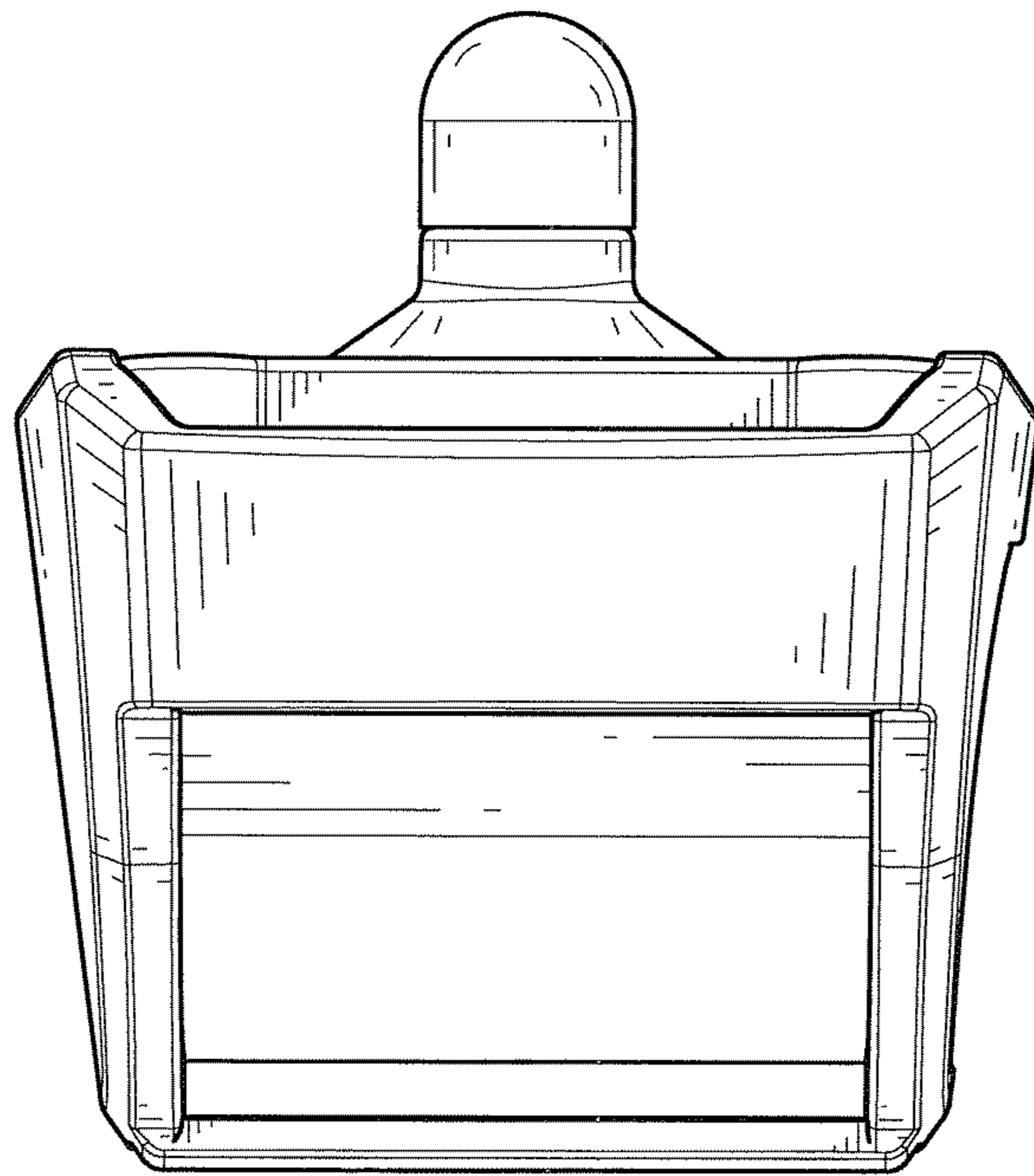


FIG. 5

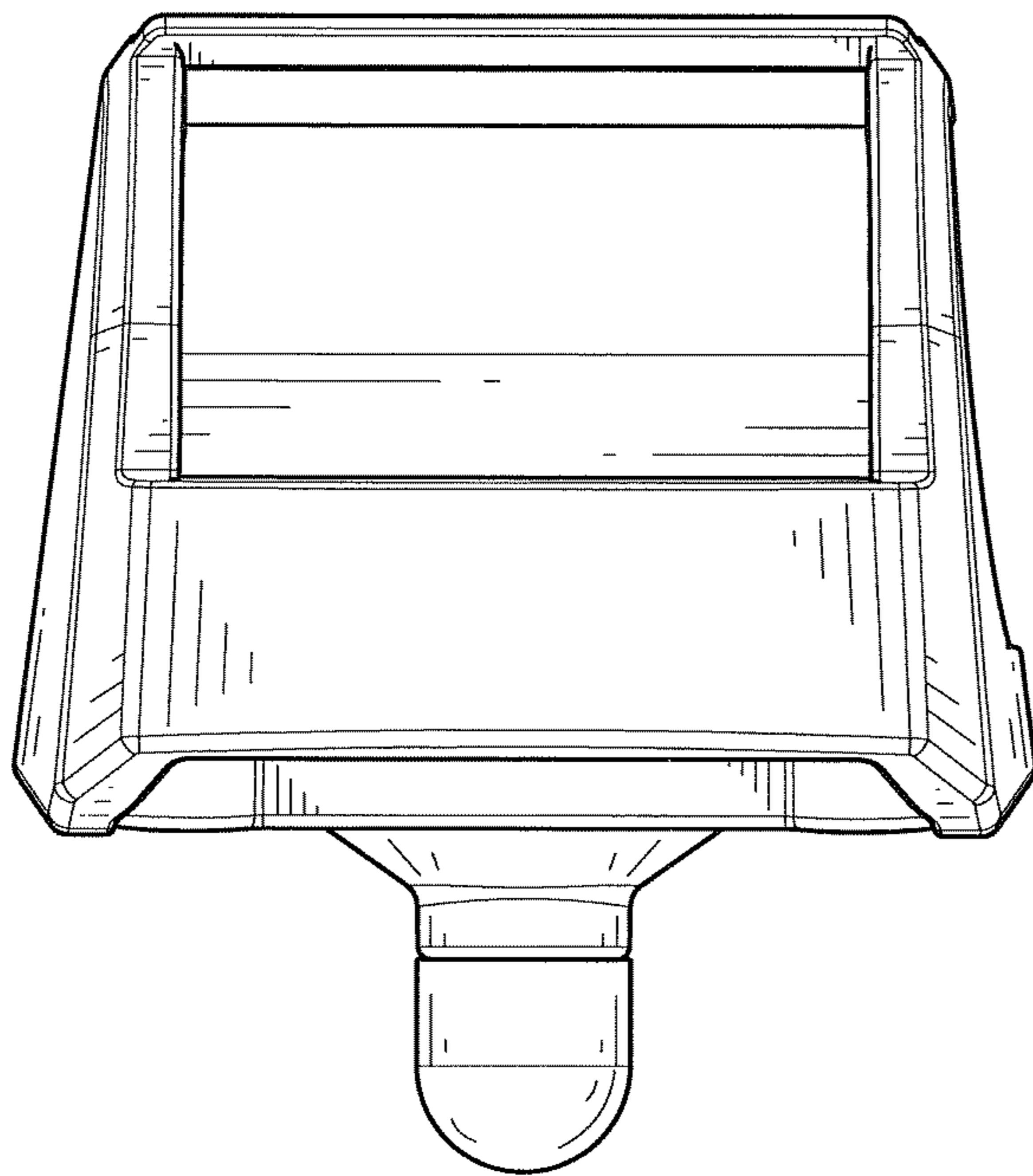


FIG. 6



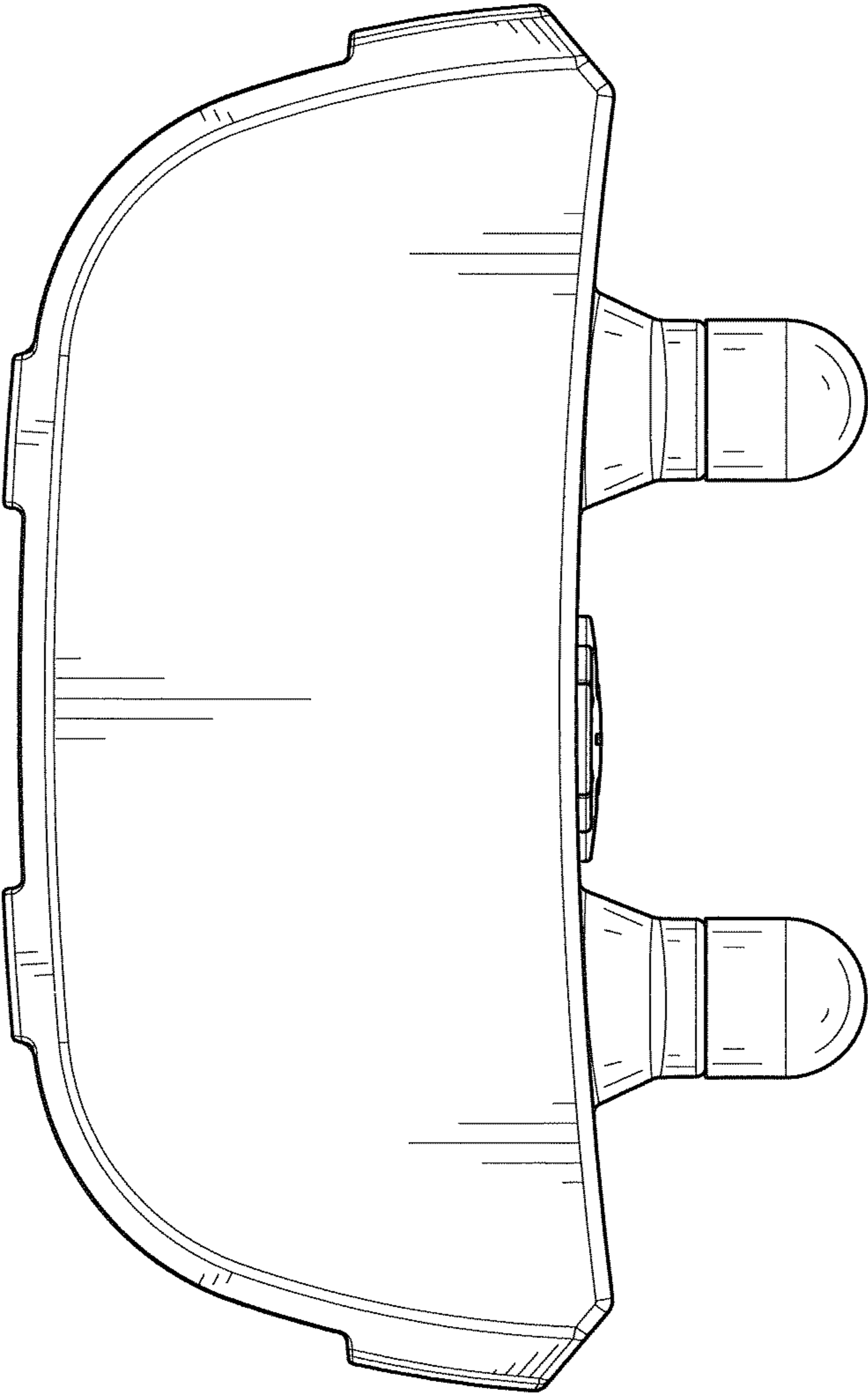


FIG. 7

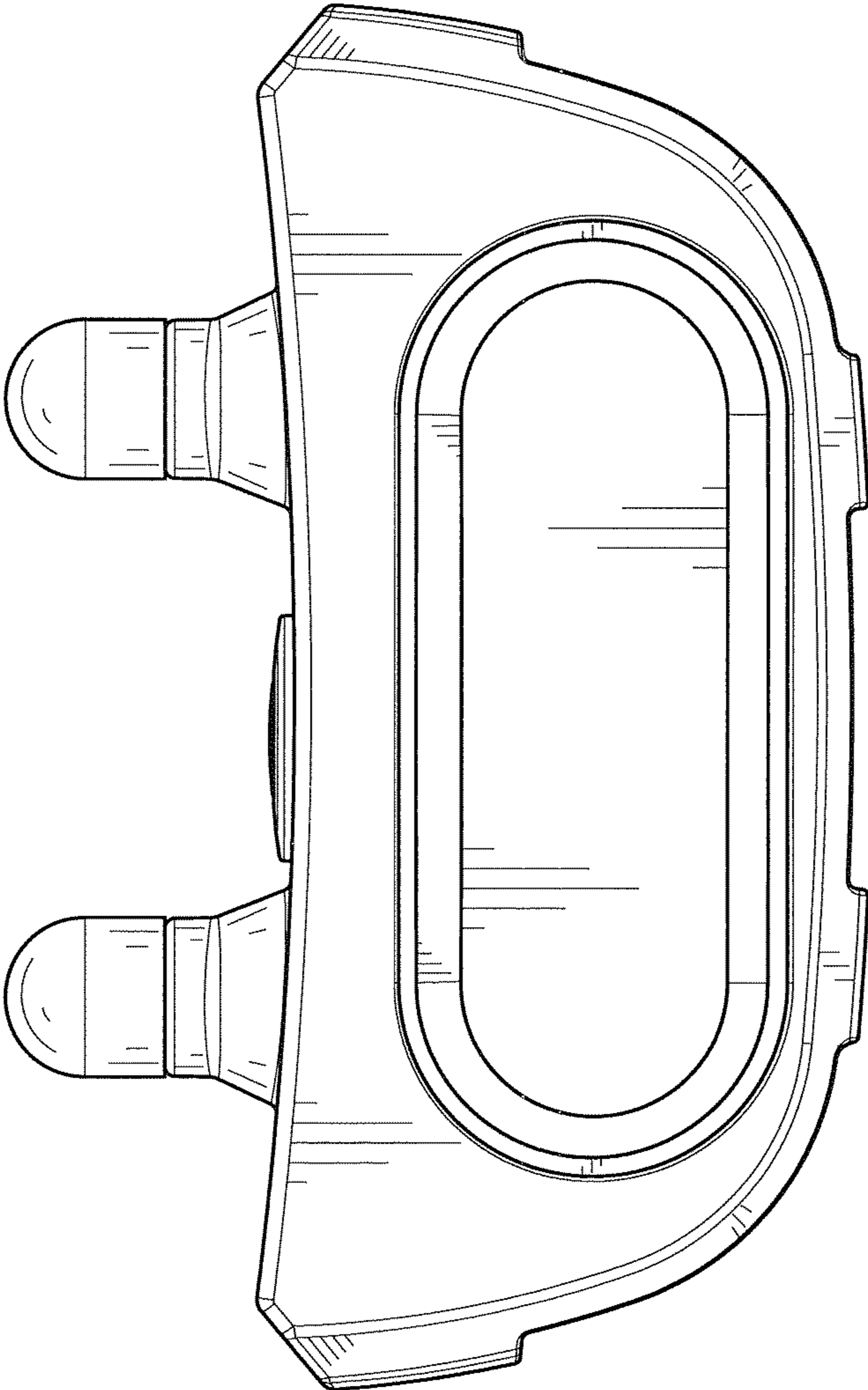


FIG. 8