



US00D890455S

(12) **United States Design Patent** (10) **Patent No.:** **US D890,455 S**
Wolfe, Jr. et al. (45) **Date of Patent:** **** Jul. 14, 2020**

(54) **ANIMAL TOY**
(71) Applicant: **Starmark Pet Products, Inc.**, Hutto, TX (US)
(72) Inventors: **Jerry J. Wolfe, Jr.**, Hutto, TX (US); **Harold Keith Benson**, Hutto, TX (US)
(73) Assignee: **Starmark Pet Products, Inc.**, Hutto, TX (US)

D548,409 S * 8/2007 Renforth D21/444
D603,926 S * 11/2009 Merker D21/803
D676,619 S * 2/2013 Hansen D30/121
D725,713 S * 3/2015 Thompson D21/443
D725,714 S * 3/2015 Kim D21/443
D743,551 S * 11/2015 Gronberg D24/127
D753,351 S * 4/2016 Anderson D30/160
D756,044 S * 5/2016 Anderson D30/160
D778,370 S * 2/2017 Moore D21/443

(Continued)

(**) Term: **15 Years**

(21) Appl. No.: **29/683,665**

(22) Filed: **Mar. 14, 2019**

(51) **LOC (12) Cl.** **30-99**

(52) **U.S. Cl.**
USPC **D30/160**

(58) **Field of Classification Search**
USPC D30/121, 128, 133, 160; D21/362, 390,
D21/443, 707, 713, 715; 119/702;
446/46, 48
CPC A01K 15/00; A01K 15/02; A01K 29/00;
A01K 15/024; A01K 15/025; A01K
15/027

See application file for complete search history.

(56) **References Cited**

U.S. PATENT DOCUMENTS

4,089,414 A * 5/1978 Sandor G11B 23/0325
206/303
D295,429 S * 4/1988 Sandeen D21/443
D312,855 S * 12/1990 Silvey D21/662
D331,607 S * 12/1992 Davis D21/372
5,358,440 A * 10/1994 Zheng A63H 33/18
446/46
D358,659 S * 5/1995 Rohrabacher D21/443
D368,495 S * 4/1996 Rypinski D21/362
D466,562 S * 12/2002 Peterson D21/443
D511,236 S * 11/2005 Crum D1/106
D526,029 S * 8/2006 Ragonetti A01K 15/025
D21/444

OTHER PUBLICATIONS

“Nerf Dog Flyer Dog Toy”, posted Oct. 24, 2018[online], [retrieved Jan. 29, 2020]. Retrieved from internet, <https://www.chewy.com/nerf-dog-nylon-foam-mega-tuff-fabric/dp/175330>.*

Primary Examiner — Sandra S Snapp
Assistant Examiner — Mehri F Bajoul
(74) *Attorney, Agent, or Firm* — Russell Ng PLLC; Brian F. Russell

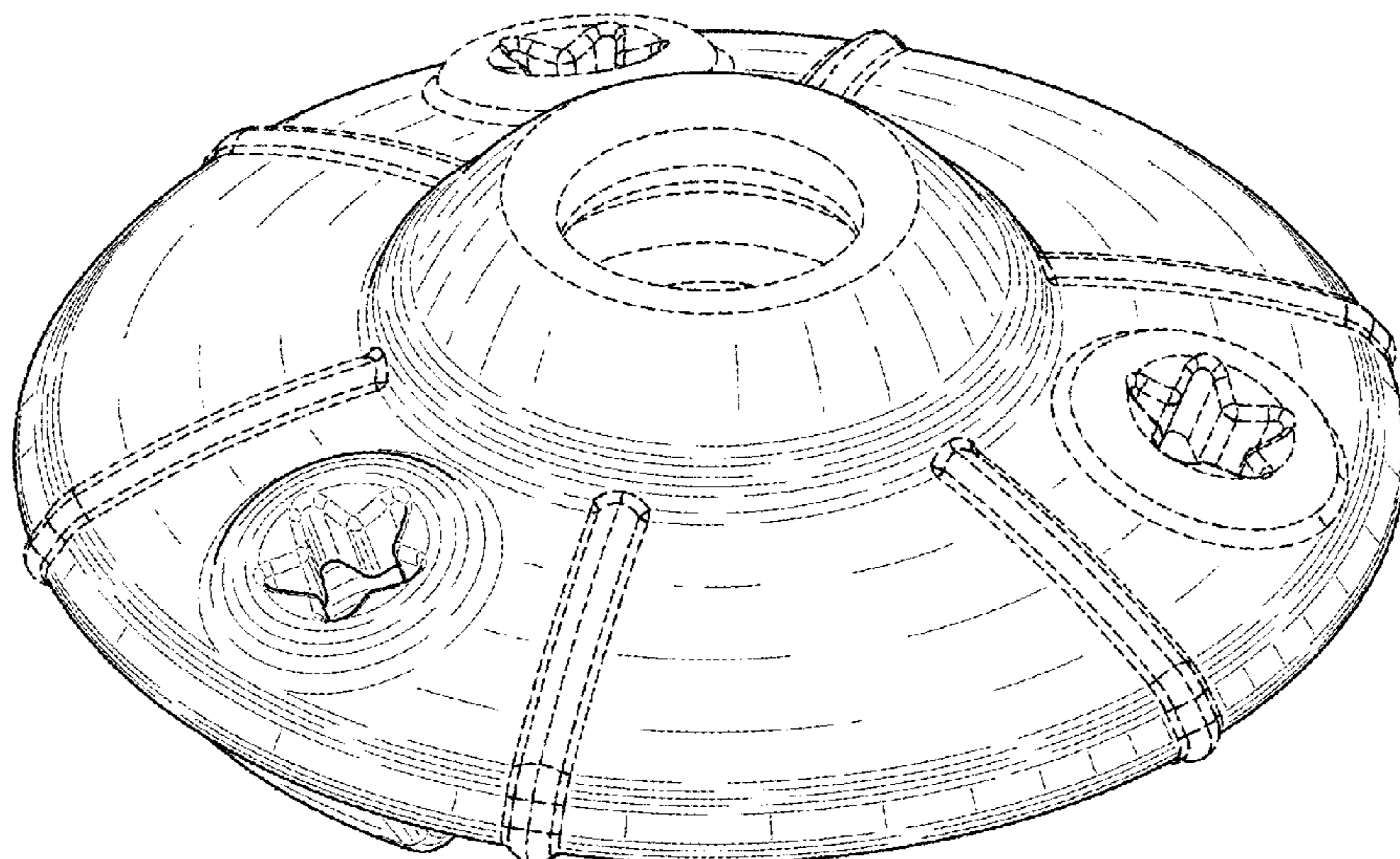
(57) **CLAIM**

The ornamental design for an animal toy, as shown and described.

DESCRIPTION

FIG. 1 is a top, front, right perspective view of an animal toy showing our new design.
FIG. 2 is a bottom, front, right perspective view of the animal toy.
FIG. 3 is a top plan view of the animal toy.
FIG. 4 bottom plan view of the animal toy.
FIG. 5 front elevation view of the animal toy.
FIG. 6 rear elevation view of the animal toy.
FIG. 7 is a right side elevation view of the animal toy; and, FIG. 8 is a left side elevation view of the animal toy.
The broken lines shown in the drawings depict portions of the animal toy that form no part of the claimed design.

1 Claim, 6 Drawing Sheets



(56)

References Cited

U.S. PATENT DOCUMENTS

D782,751 S * 3/2017 Polk D30/160
2004/0083983 A1* 5/2004 Markham A01K 15/025
119/709

* cited by examiner

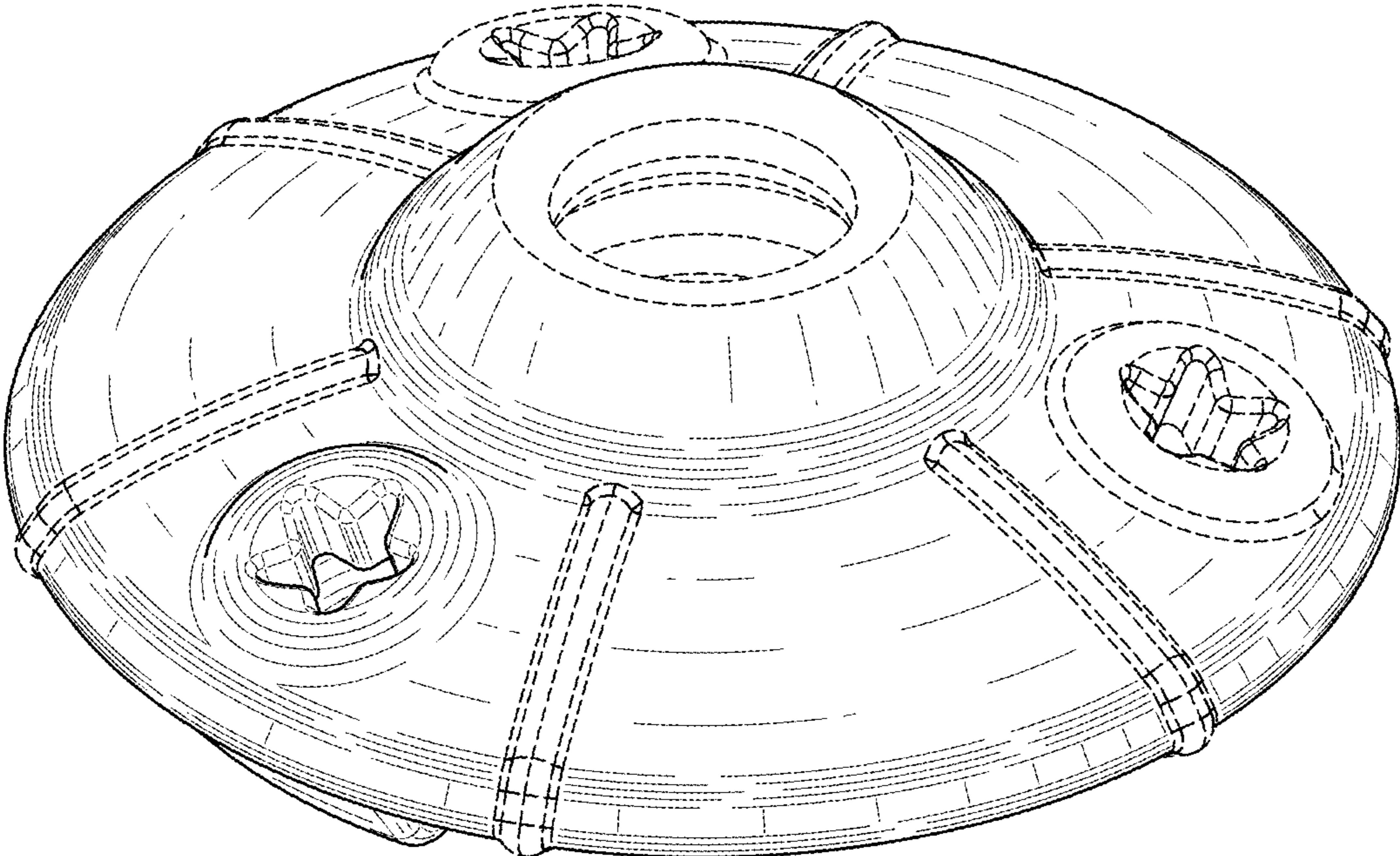


FIG. 1

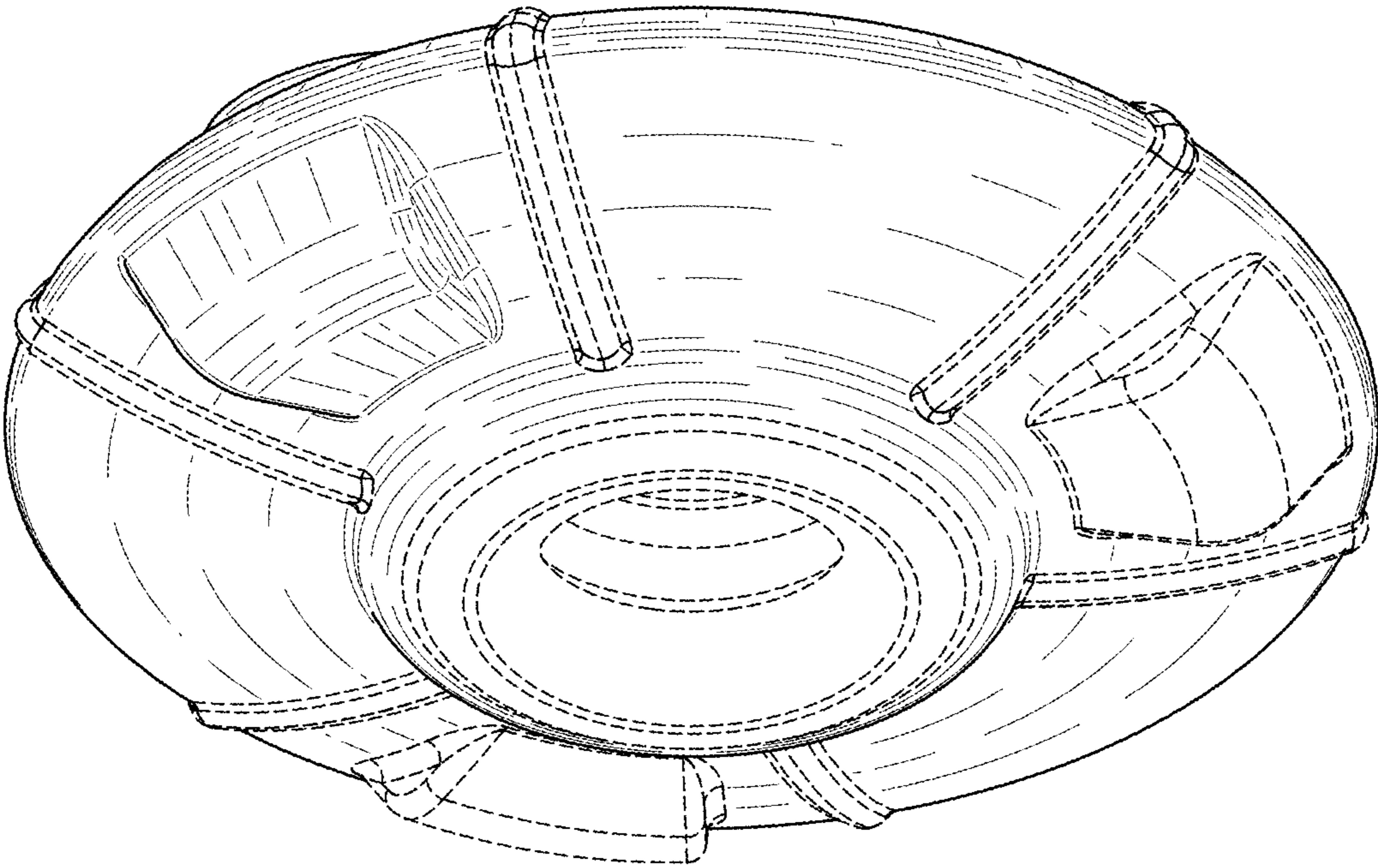


FIG. 2

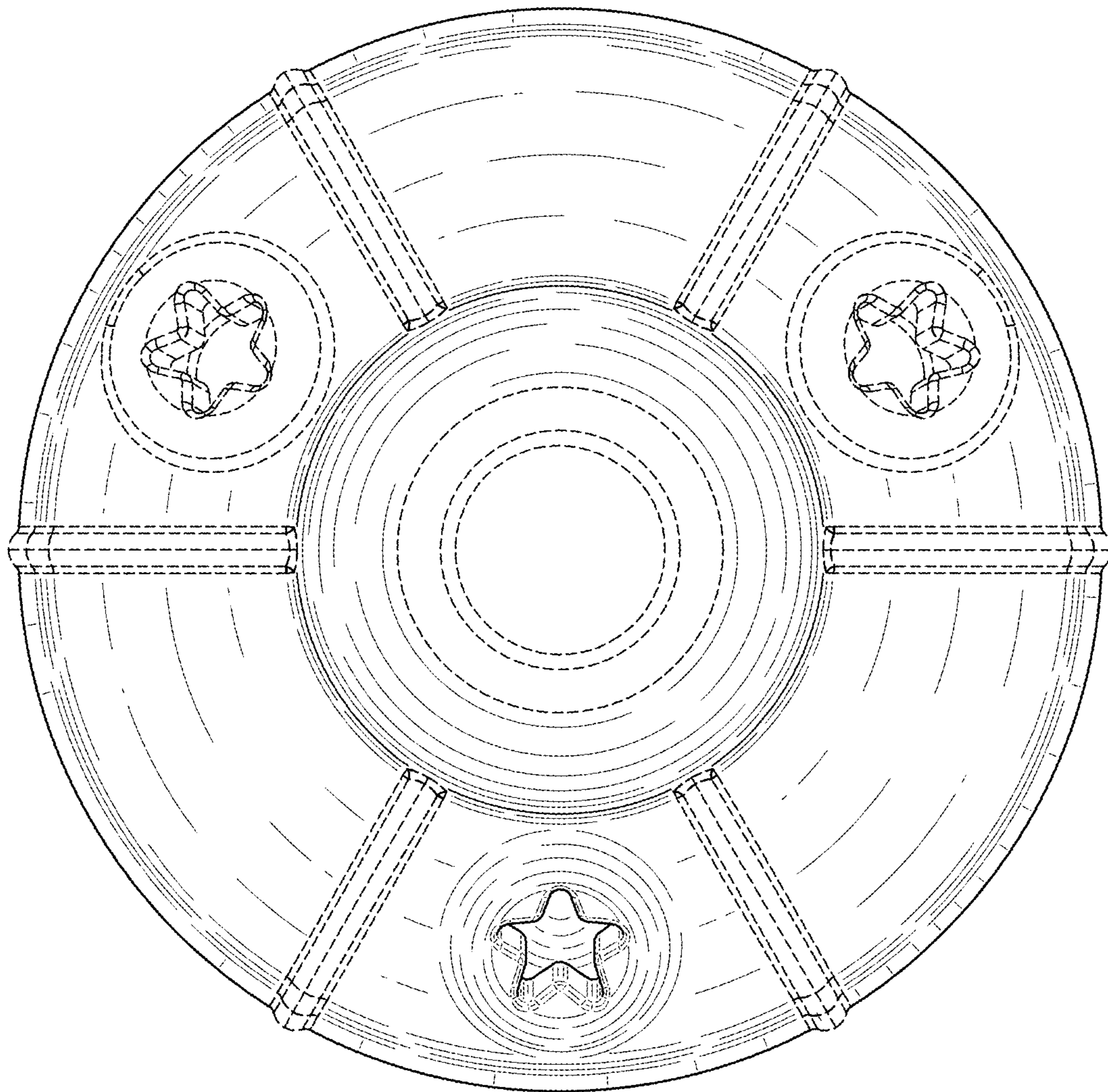


FIG. 3

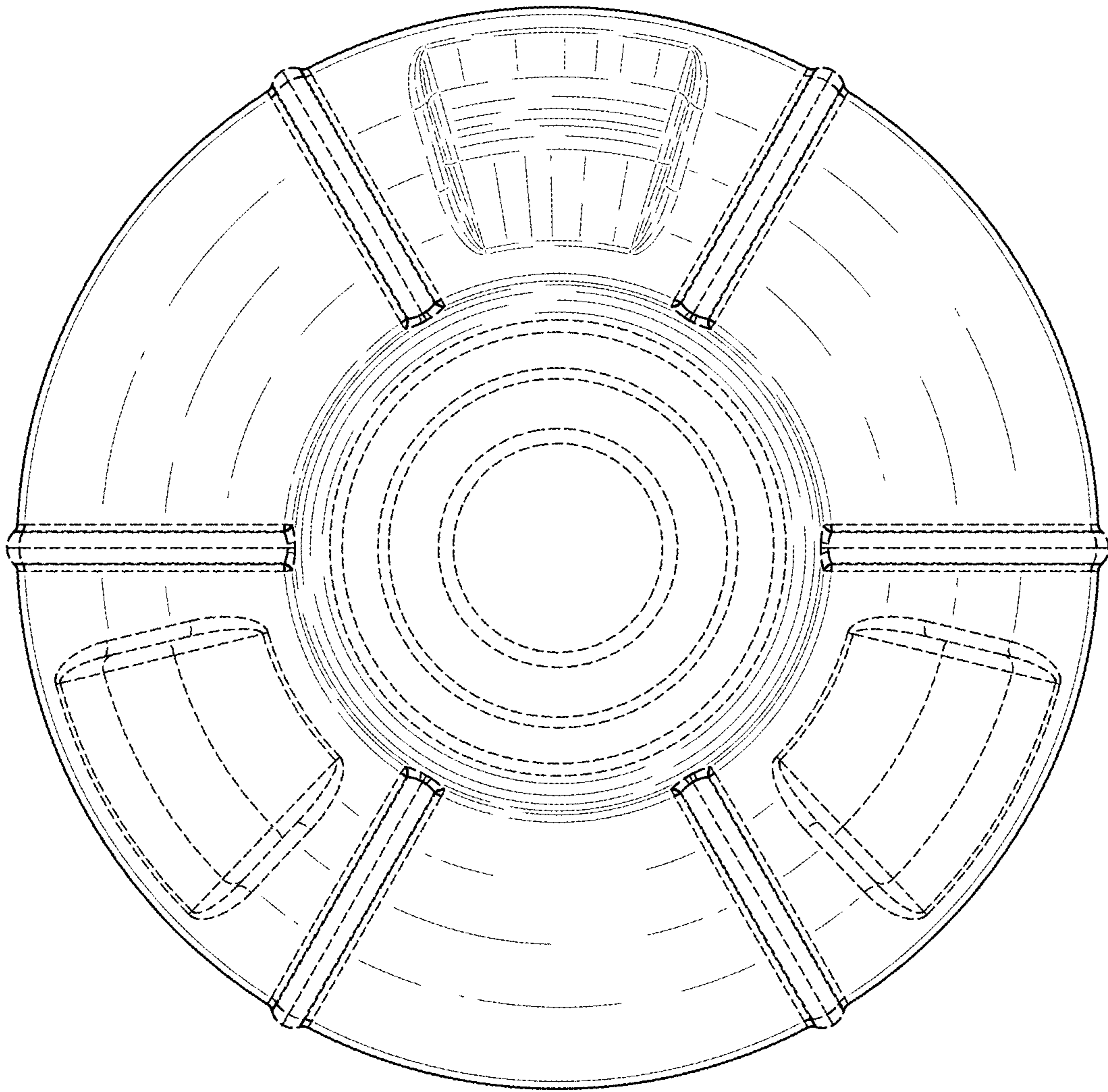


FIG. 4

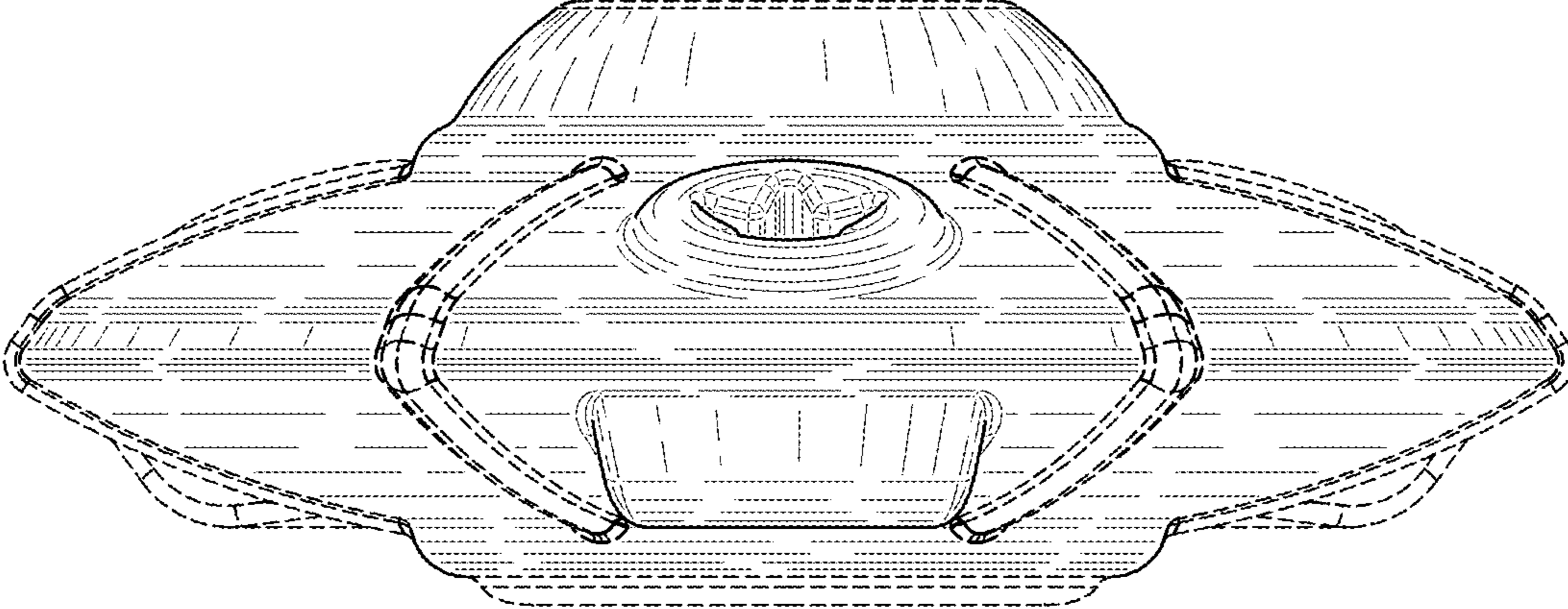


FIG. 5

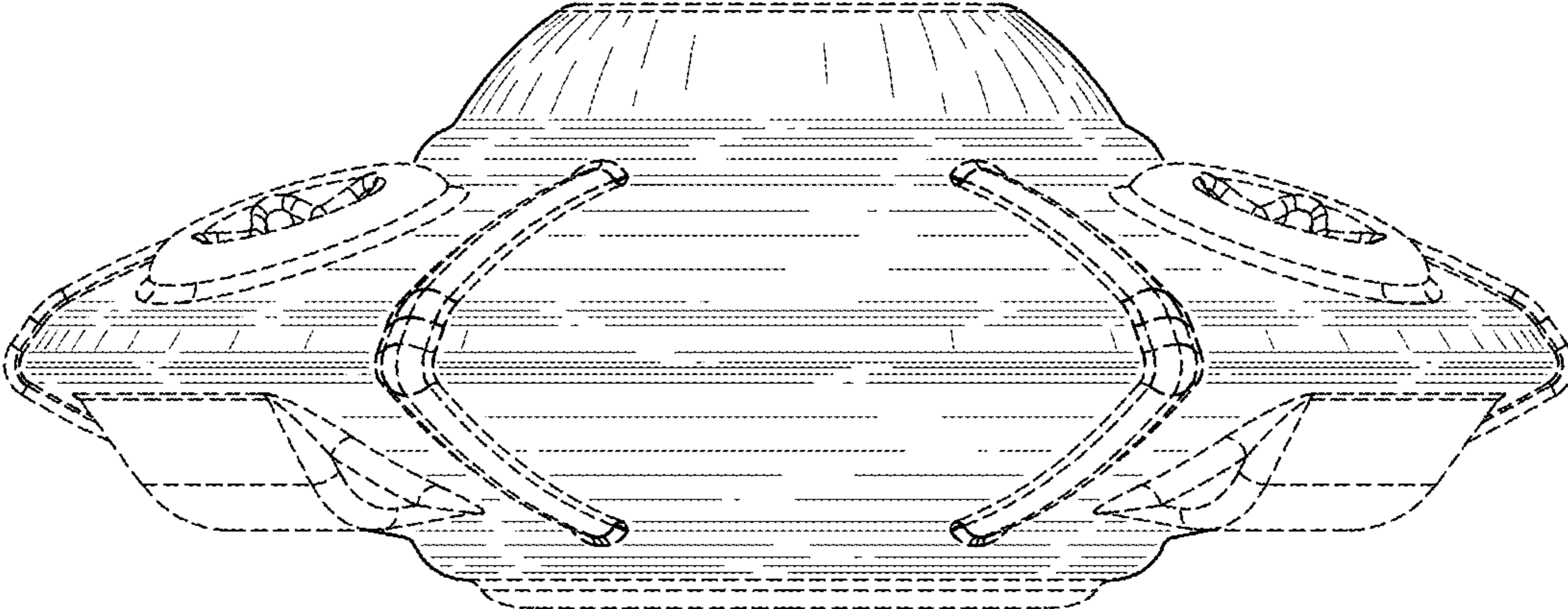


FIG. 6

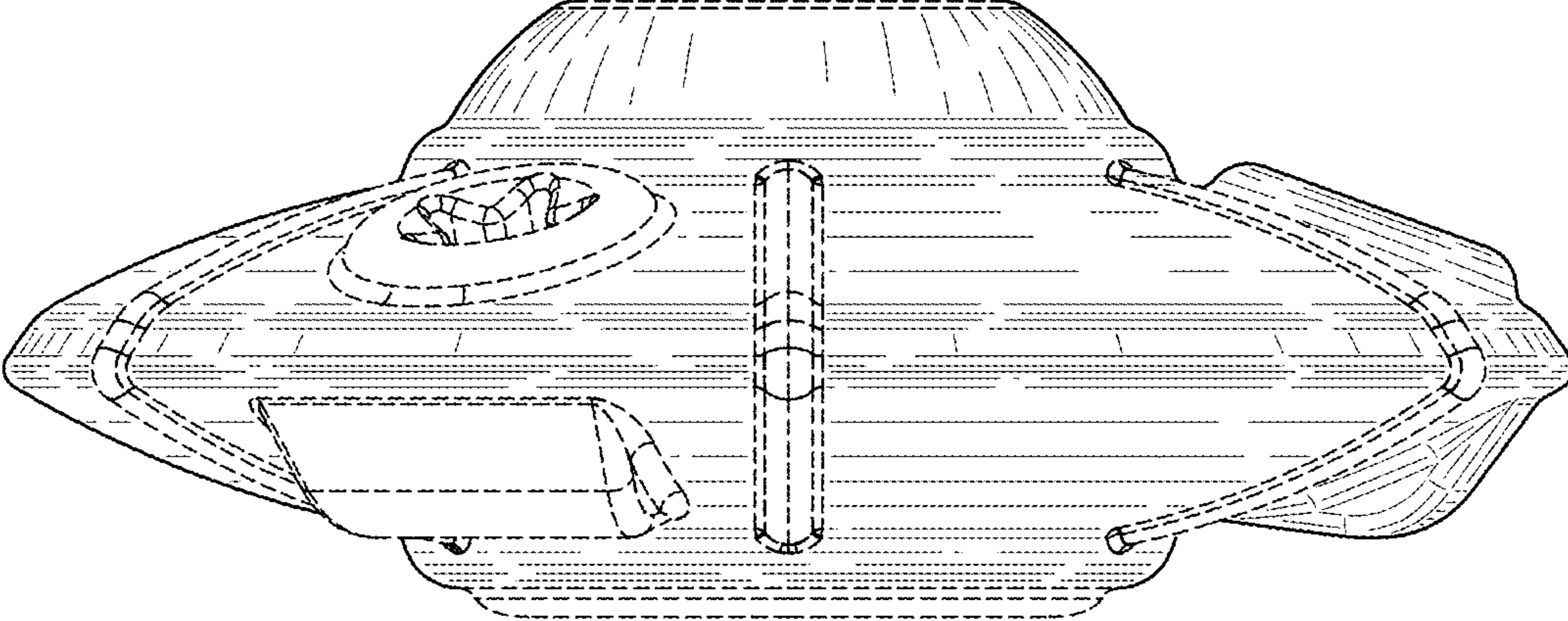


FIG. 7

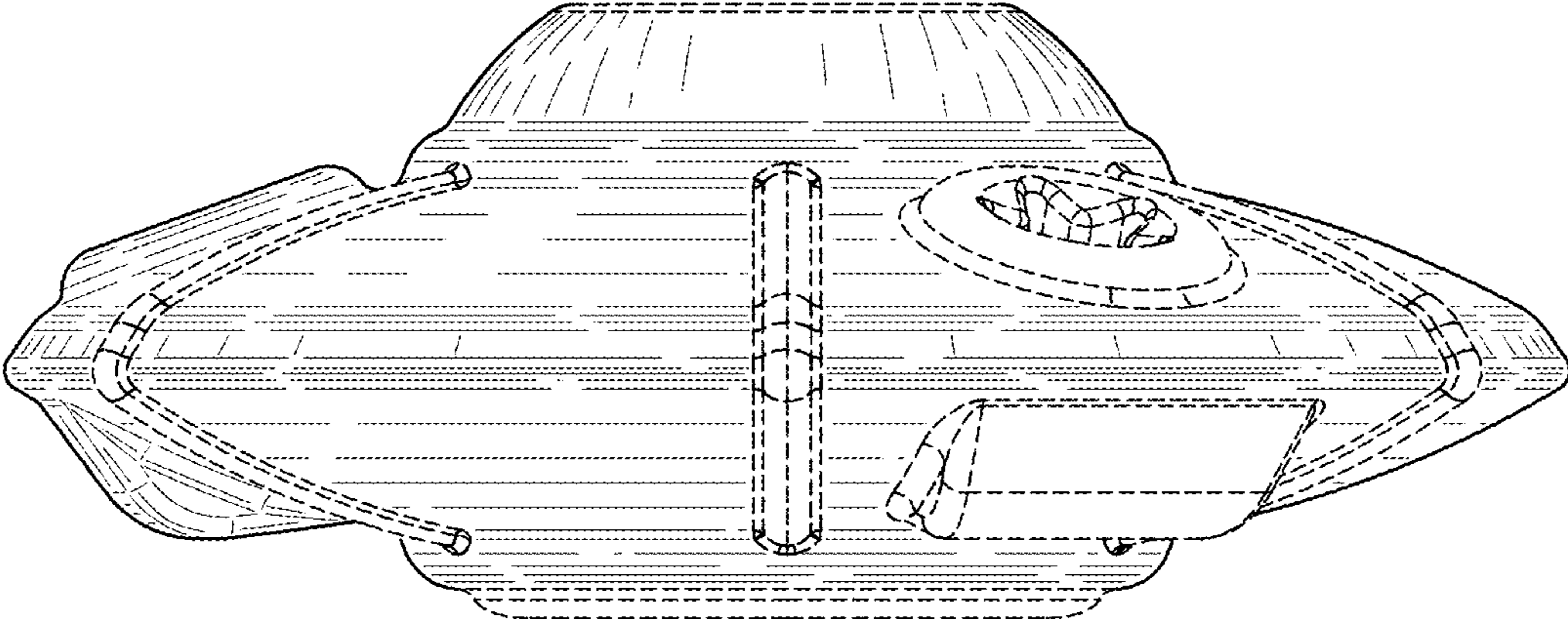


FIG. 8