



US00D890454S

(12) **United States Design Patent**  
**Dertsakyan**

(10) **Patent No.:** **US D890,454 S**  
(45) **Date of Patent:** **\*\* Jul. 14, 2020**

(54) **PET TOY AND DENTAL HYGIENE DEVICE**

(71) Applicant: **Peter Dertsakyan**, North Hollywood,  
CA (US)

(72) Inventor: **Peter Dertsakyan**, North Hollywood,  
CA (US)

(\*\*) Term: **15 Years**

(21) Appl. No.: **29/663,715**

(22) Filed: **Sep. 18, 2018**

**Related U.S. Application Data**

(63) Continuation-in-part of application No. 15/472,206,  
filed on Mar. 28, 2017, now Pat. No. 10,477,838.

(51) **LOC (12) Cl.** ..... **30-99**

(52) **U.S. Cl.**  
USPC ..... **D30/160**

(58) **Field of Classification Search**  
USPC ..... D30/160; 119/709  
CPC ..... A01K 15/026; A46B 1/00; A46B 9/026;  
A46B 2200/1086  
See application file for complete search history.

(56) **References Cited**

**U.S. PATENT DOCUMENTS**

- 5,832,877 A \* 11/1998 Markham ..... A01K 15/026  
119/710
- 6,116,191 A 9/2000 Suchowski
- 6,739,287 B1 5/2004 Sarantis
- D501,961 S 2/2005 Jager
- 7,490,579 B2 2/2009 Axelrod
- 8,807,088 B2 8/2014 Axelrod
- D804,140 S \* 12/2017 Bennett ..... D1/125
- D804,741 S \* 12/2017 Park ..... D30/160
- D840,610 S \* 2/2019 Toolan ..... D30/160
- 10,201,698 B2 \* 2/2019 Ruffin ..... A61N 1/0548

- D852,438 S \* 6/2019 Liu ..... D30/158
- 2004/0137118 A1 7/2004 Axelrod
- 2004/0216693 A1 11/2004 Handelsman

**OTHER PUBLICATIONS**

Materials relating to Busy Buddy Bristle Bone, from www.chewy.com, obtained Sep. 25, 2018.

Materials relating to Busy Buddy, from www.petsafe.net, obtained Sep. 25, 2018.

Materials relating to Busy Buddy Bristle Bone, from https://psfactoryoutletstore.com, obtained Sep. 25, 2018.

Materials relating to Busy Buddy Bristle Bone, from https://store/petsafe.net, obtained Sep. 25, 2018.

Materials relating to Nylabone DuraChew Double Action Round Ball Bacon Flavor Dog Toy, from www.chewy.com, obtained Sep. 25, 2018.

Materials relating to Nylabone DuraChew Double Action Dental Chew Bacon Flavor Dog Toy, from www.chewy.com, obtained Sep. 25, 2018.

\* cited by examiner

*Primary Examiner* — Michael C Stout

*Assistant Examiner* — Katrina N Gonzalez

(74) *Attorney, Agent, or Firm* — David R. Preston

(57) **CLAIM**

The ornamental design for a pet toy and dental hygiene device, as shown and described.

**DESCRIPTION**

FIG. 1 is a perspective view of a pet toy and dental hygiene device, showing my new design.

FIG. 2 is a top view thereof;

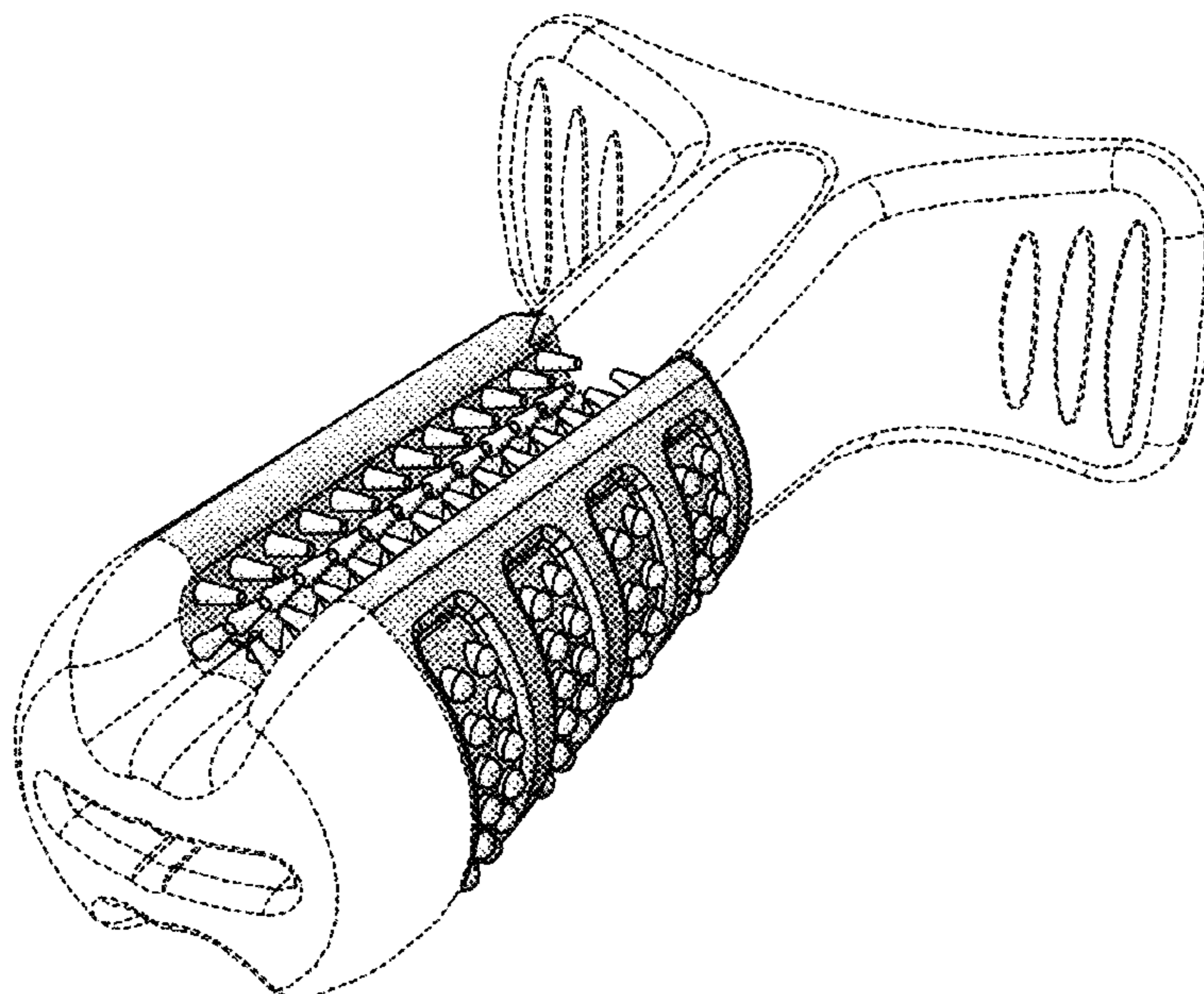
FIG. 3 is a side elevation view thereof;

FIG. 4 is a front view thereof; and,

FIG. 5 is a rear view thereof.

The broken lines illustrate portions that from no part of the claimed design.

**1 Claim, 4 Drawing Sheets**



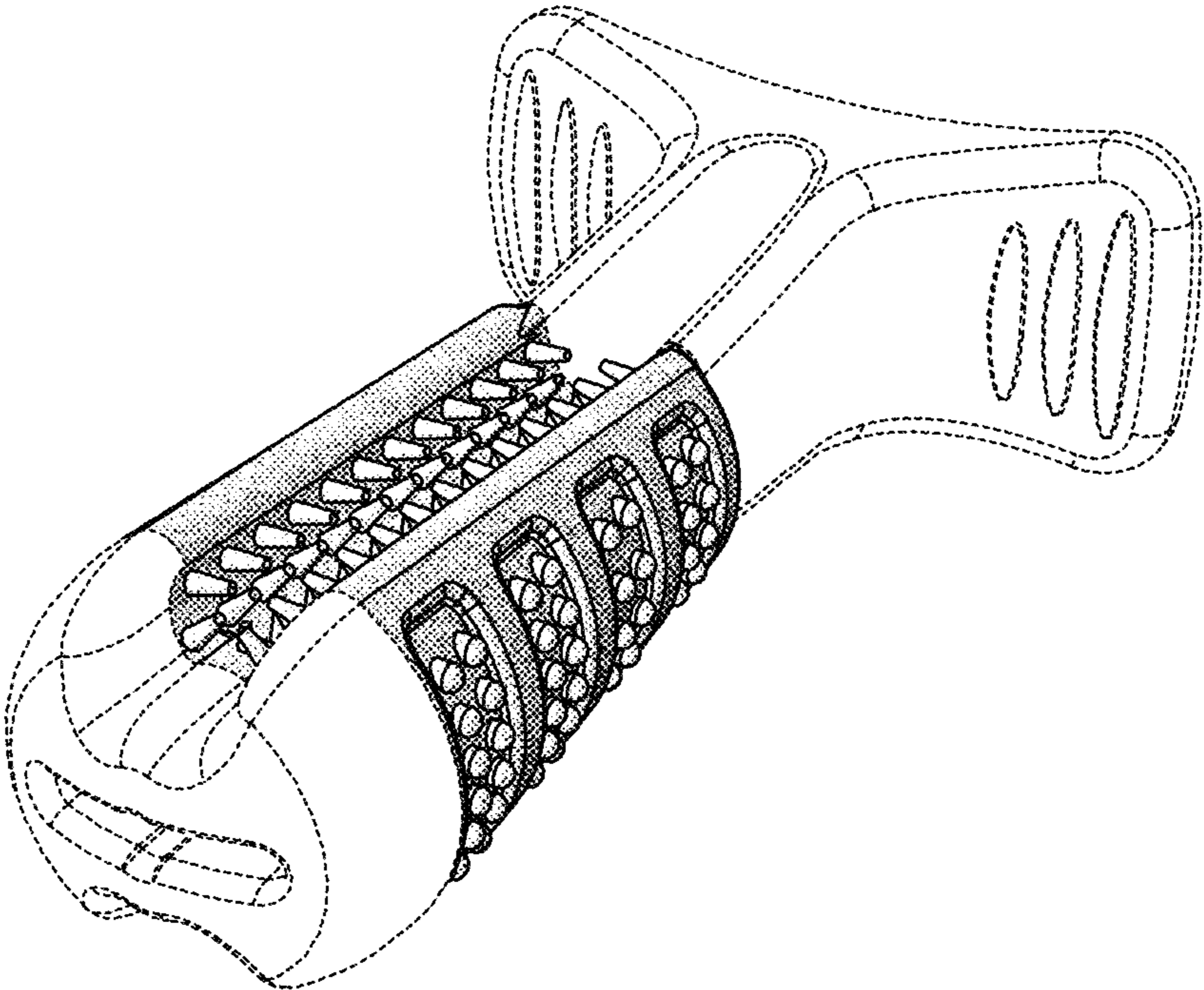


FIG. 1

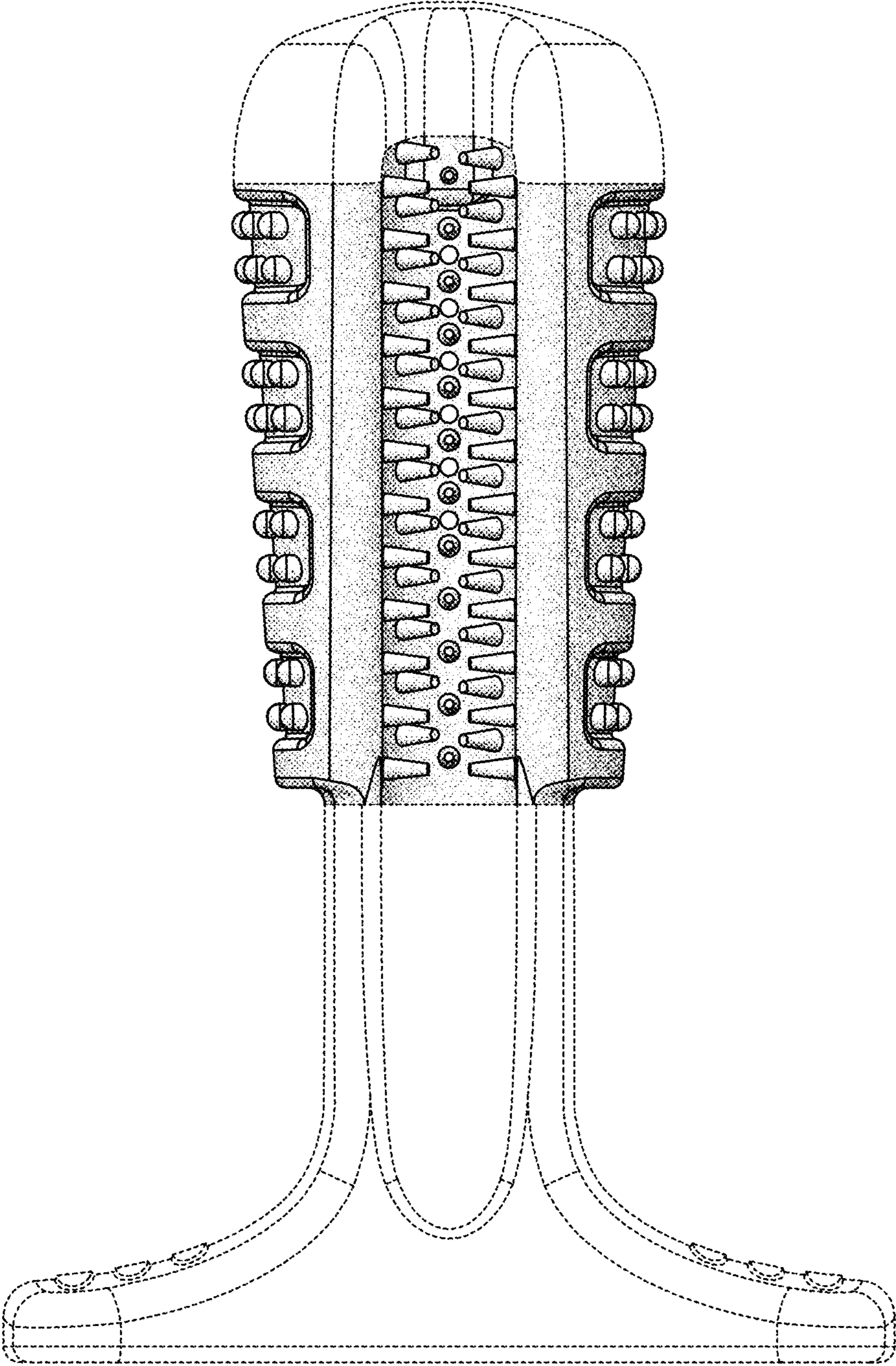


FIG. 2

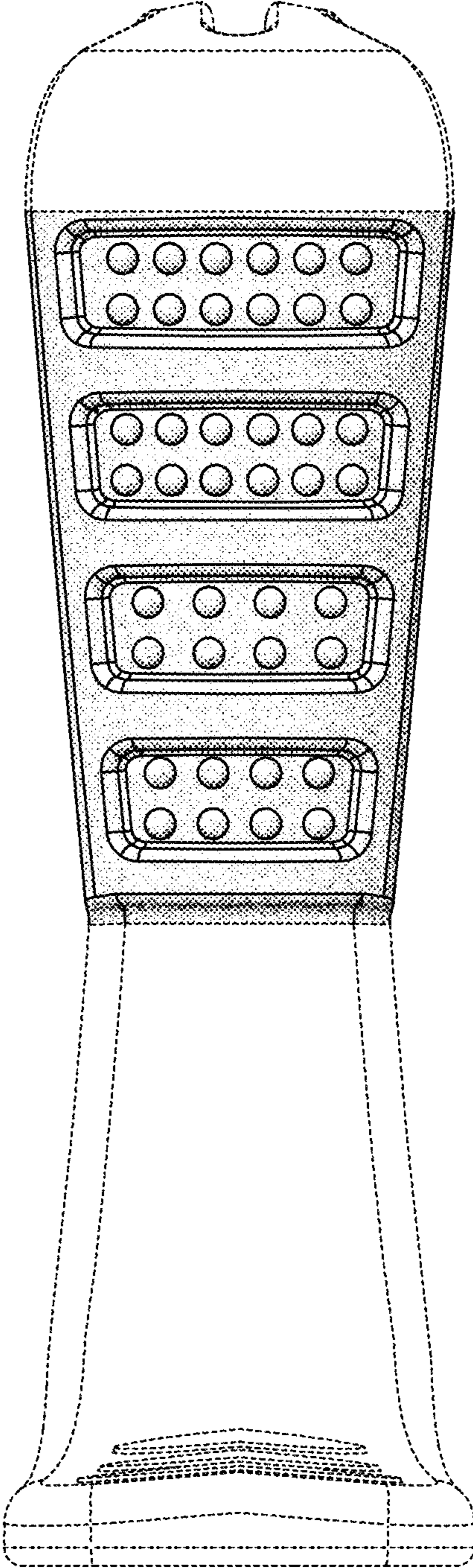


FIG. 3

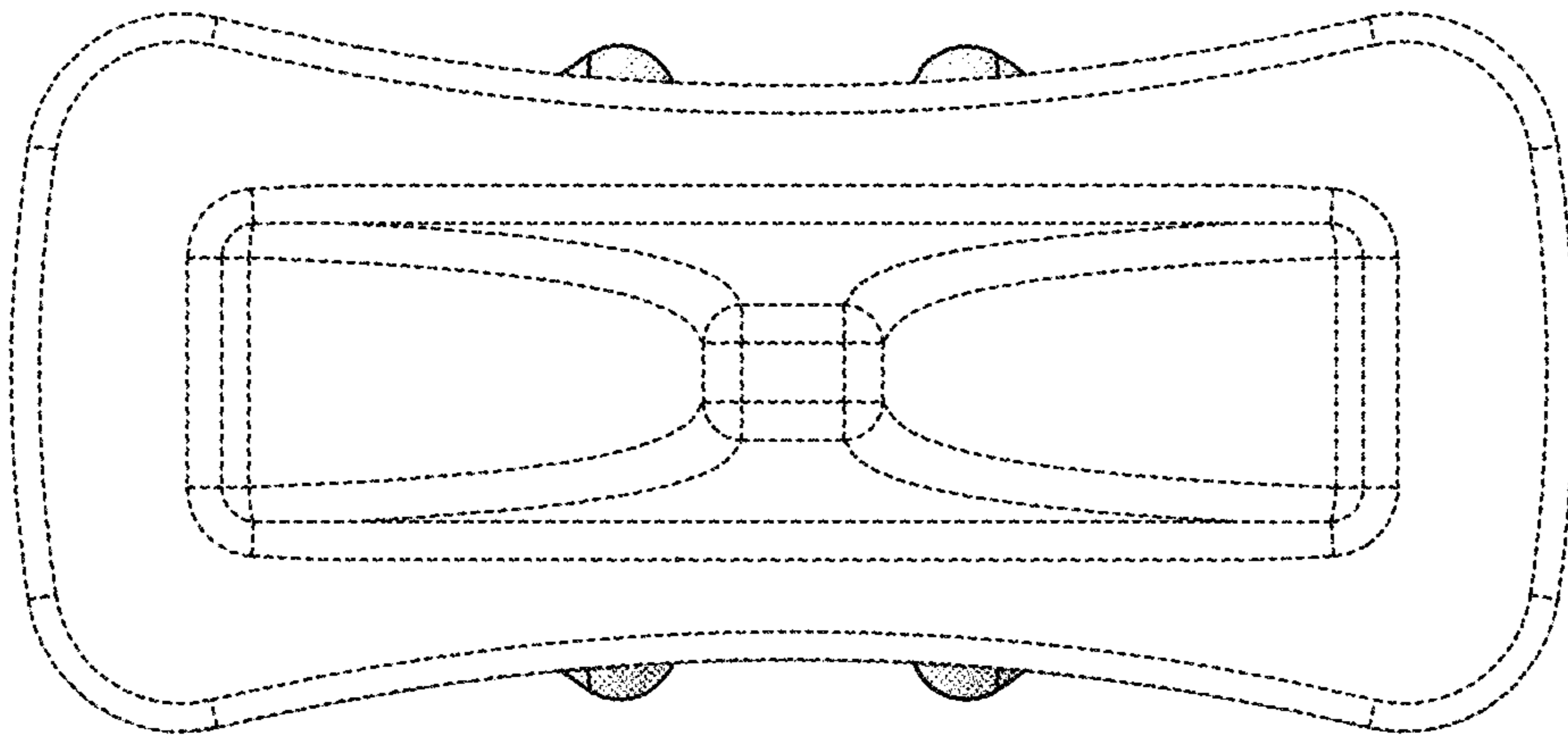


FIG. 4

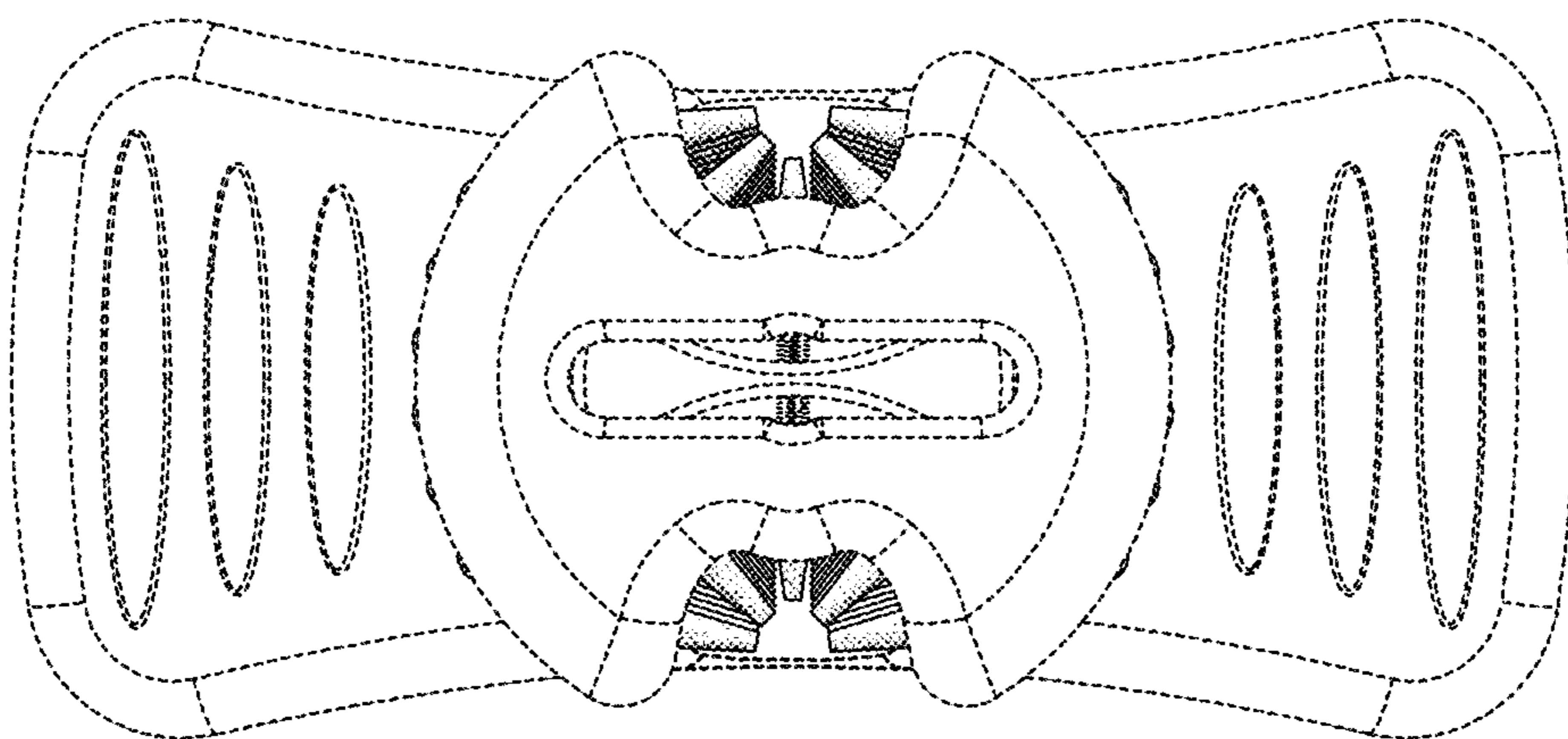


FIG. 5