



US00D890449S

(12) **United States Design Patent**  
**Gilmer**

(10) **Patent No.:** **US D890,449 S**

(45) **Date of Patent:** **\*\* Jul. 14, 2020**

- (54) **STAKE**
- (71) Applicant: **STAKEBOSS LLC**, Hesperia, CA (US)
- (72) Inventor: **Tyrone Gilmer**, Hesperia, CA (US)
- (73) Assignee: **STAKEBOSS LLC**, Hesperia, CA (US)
- (\*\*) Term: **15 Years**
- (21) Appl. No.: **29/710,028**
- (22) Filed: **Oct. 18, 2019**

- 3,241,202 A 3/1966 Knauft
  - 3,244,149 A \* 4/1966 Bosko ..... A01K 27/005  
119/795
  - 3,285,218 A \* 11/1966 Gilbertson ..... B63B 21/243  
114/303
  - 3,456,660 A \* 7/1969 Borchardt ..... E04H 15/62  
135/118
  - D218,582 S 9/1970 Klester
  - 3,788,336 A 1/1974 Steffes
  - D243,351 S 2/1977 Laukhuf
  - D245,032 S 7/1977 Hoffmann
- (Continued)

**Related U.S. Application Data**

- (62) Division of application No. 29/649,886, filed on Jun. 2, 2018, now Pat. No. Des. 868,396.
- (51) **LOC (12) Cl.** ..... **30-04**
- (52) **U.S. Cl.**  
USPC ..... **D30/154; D21/840**
- (58) **Field of Classification Search**  
USPC ..... D12/215; D21/700, 840; D30/154  
CPC .. A01K 1/04; A01G 9/122; E02D 5/80; E04H  
15/62; Y10S 119/905  
See application file for complete search history.

**References Cited**

**U.S. PATENT DOCUMENTS**

- 227,675 A \* 5/1880 Carnes ..... A01K 1/04  
119/780
- D16,306 S \* 9/1885 Rogers ..... D30/154
- 716,010 A \* 12/1902 Eldridge ..... A01K 1/04  
119/786
- 1,268,459 A \* 6/1918 Hjermstad ..... E02D 5/80  
52/155
- 2,087,176 A 7/1937 Webb
- D108,719 S 3/1938 Morgan
- 2,775,252 A 12/1956 Finch
- 2,941,504 A 6/1960 Supowitz

**OTHER PUBLICATIONS**

Stakeboss, LLC. "Tarpfang, The Beginning". <https://stakeboss.com/tarpfang-the-beginning> (Jan. 1, 2019).  
(Continued)

*Primary Examiner* — Mary Ann Calabrese  
*Assistant Examiner* — Katelin G Kloberg  
(74) *Attorney, Agent, or Firm* — Loza & Loza, LLP;  
Heidi L. Eisenhut

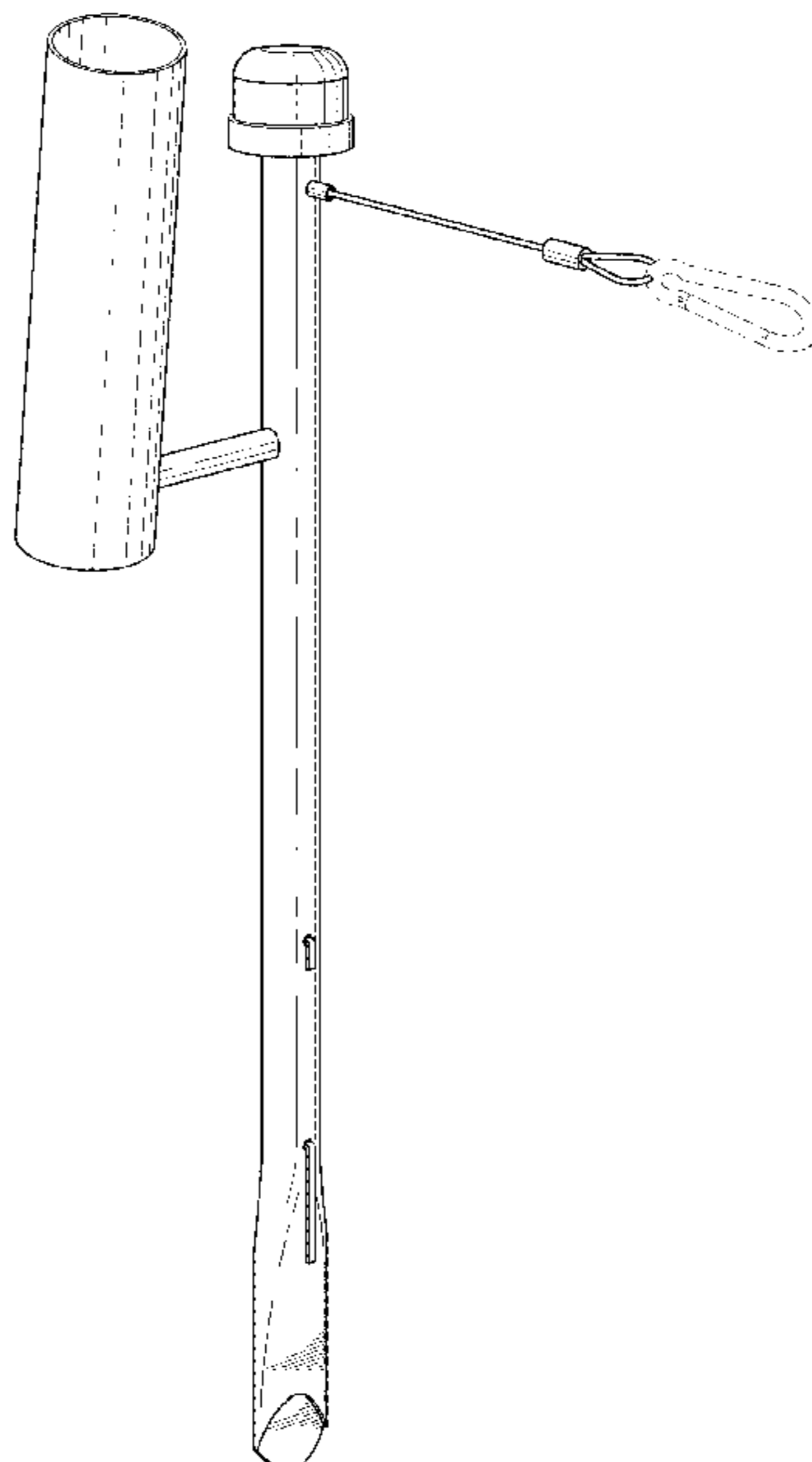
(57) **CLAIM**

The ornamental design for a stake, as shown and described.

**DESCRIPTION**

FIG. 1 is a top, front, right side perspective view of a stake, showing my new design;  
FIG. 2 is a right side elevation view of the stake of FIG. 1;  
FIG. 3 is a left side elevation view of the stake of FIG. 1;  
FIG. 4 is a front elevation view of the stake of FIG. 1;  
FIG. 5 is a back elevation view of the stake of FIG. 1;  
FIG. 6 is a top view of the stake of FIG. 1; and,  
FIG. 7 is a bottom view of the stake of FIG. 1.  
The broken lines depict environmental subject matter that forms no part of the claimed design.

**1 Claim, 5 Drawing Sheets**



(56)

References Cited

U.S. PATENT DOCUMENTS

D250,281 S 11/1978 Laukhuf  
 D270,365 S 8/1983 Hawk  
 D287,156 S 12/1986 Sloane  
 4,745,706 A \* 5/1988 Muza ..... A01G 29/00  
 47/47  
 D298,975 S 12/1988 Pantoja  
 D299,374 S \* 1/1989 Williams ..... D21/840  
 4,905,718 A 3/1990 Vandiver  
 4,907,522 A \* 3/1990 Lutzke ..... E02B 3/24  
 114/230.28  
 D315,711 S 3/1991 Billings  
 D325,870 S \* 5/1992 Niles ..... D8/1  
 D331,526 S 12/1992 Miller  
 D349,937 S \* 8/1994 Hill ..... D21/791  
 5,463,834 A 11/1995 Krieger  
 D364,785 S \* 12/1995 Archambeau ..... D25/131  
 D379,416 S \* 5/1997 Adams ..... D21/840  
 D477,118 S 7/2003 Kirch  
 D484,998 S 1/2004 Cvek  
 D485,525 S \* 1/2004 Dvorak ..... 114/299  
 D492,976 S \* 7/2004 Hsu ..... D21/840  
 D493,205 S \* 7/2004 Combes ..... D21/840  
 D495,932 S 9/2004 Kopka  
 6,932,164 B1 8/2005 Williston

6,938,384 B1 9/2005 Hodge  
 7,082,954 B1 8/2006 Flanery et al.  
 D573,315 S 7/2008 Kelley  
 D632,442 S \* 2/2011 Beck ..... D30/154  
 D679,457 S \* 4/2013 Chance ..... D30/154  
 D697,164 S \* 1/2014 Jan ..... D22/120  
 D787,419 S 5/2017 Michel  
 D839,696 S 2/2019 Riddle  
 D863,487 S \* 10/2019 Pieper ..... D21/840  
 D874,890 S \* 2/2020 Lazarov ..... D8/1  
 D877,578 S \* 3/2020 Ireland ..... D8/1  
 2001/0039769 A1 11/2001 Orr  
 2010/0224139 A1 9/2010 Krieger  
 2013/0233366 A1 9/2013 Burgess et al.  
 2018/0347226 A1 12/2018 Gilmer

OTHER PUBLICATIONS

MSR Core 4-Pack Tent Stake Kit. <https://www.amazon.com>. (Reviewed Jan. 29, 2019).  
 Casdtylh 12 Pack Black Forged Steel Tent Pegs. <https://www.amazon.com> (Reviewed Feb. 8, 2018).  
 Tent and Table Heavy Duty Stake. <https://www.amazon.com> (Reviewed Jul. 8, 2017).

\* cited by examiner

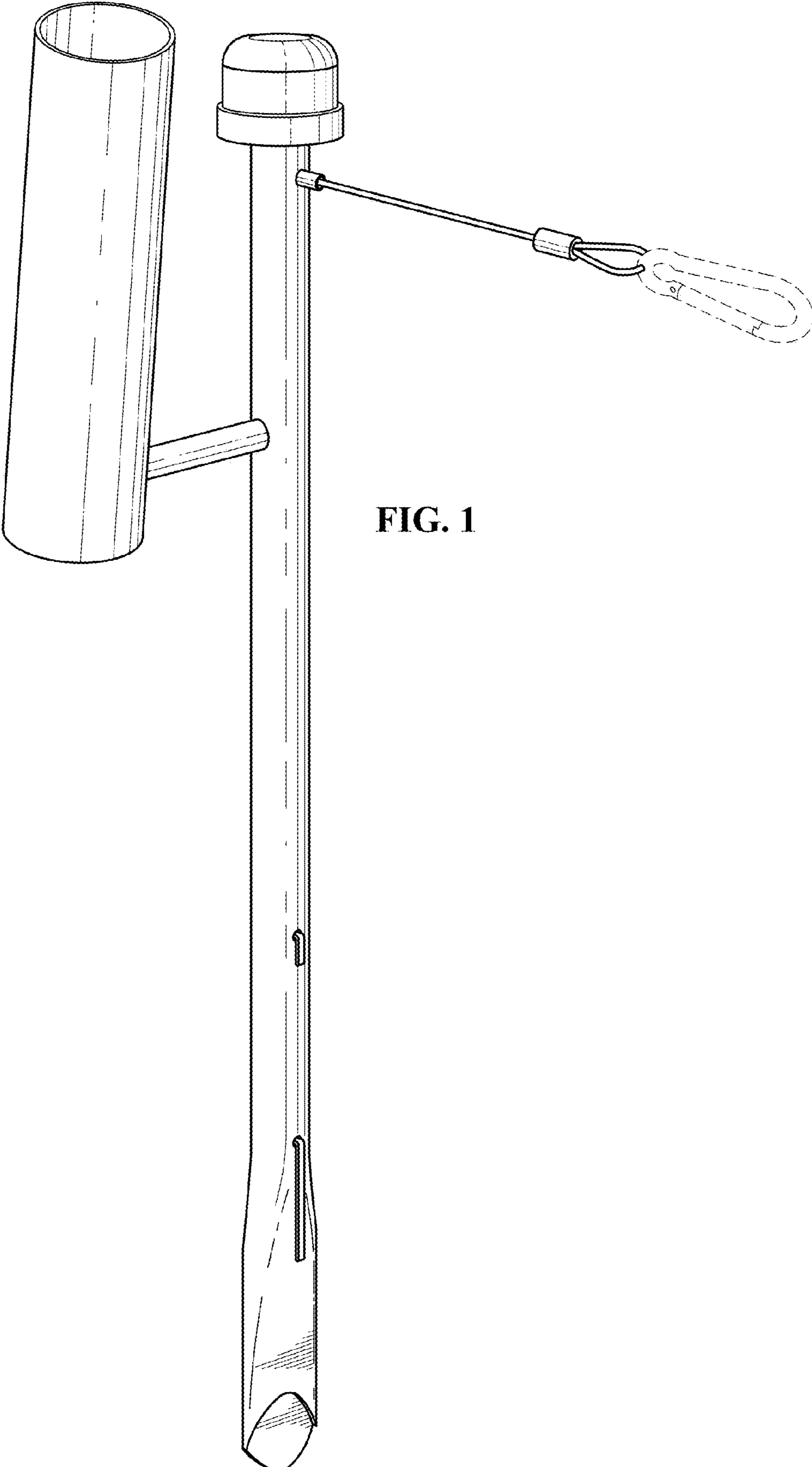
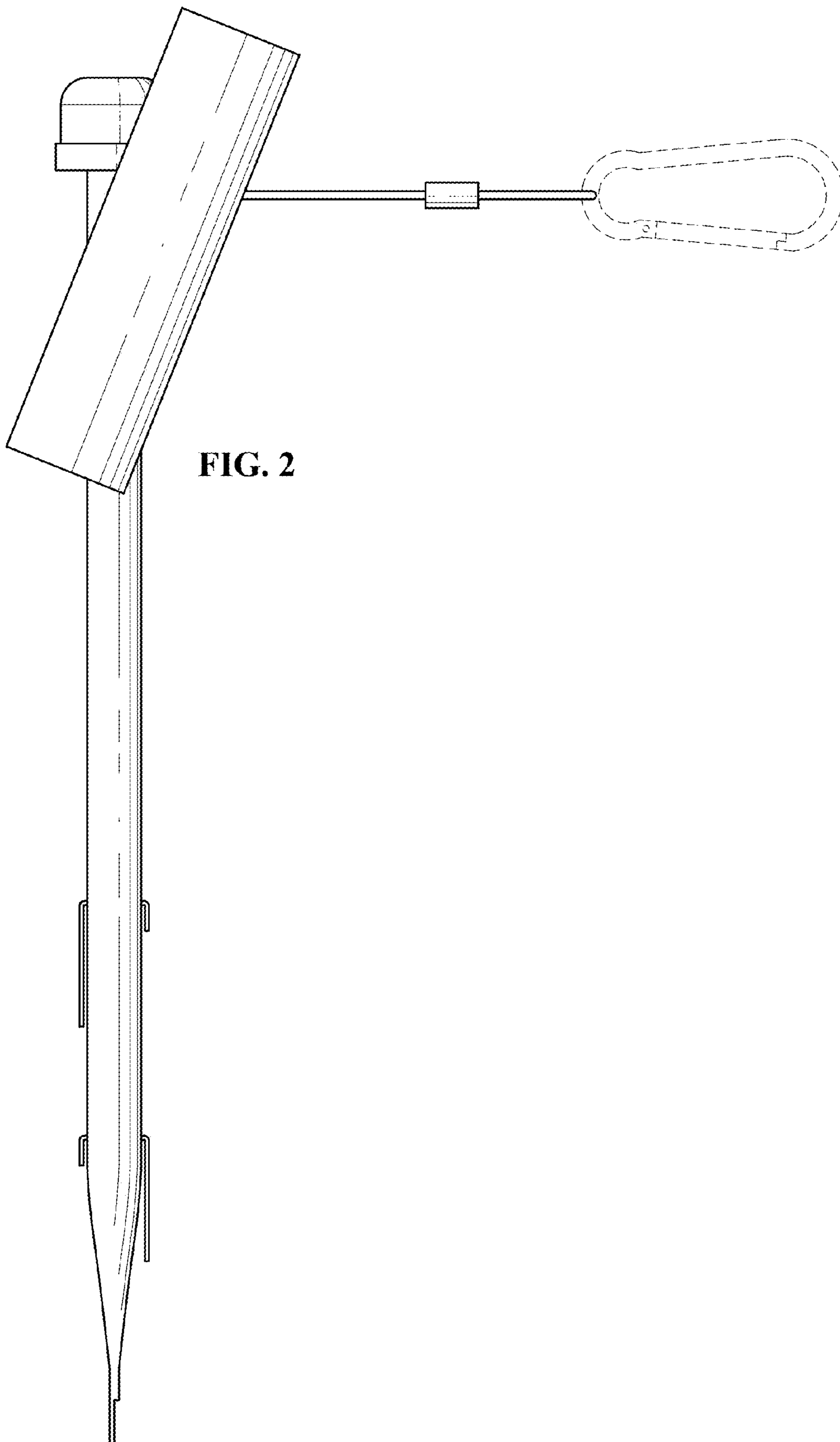


FIG. 1



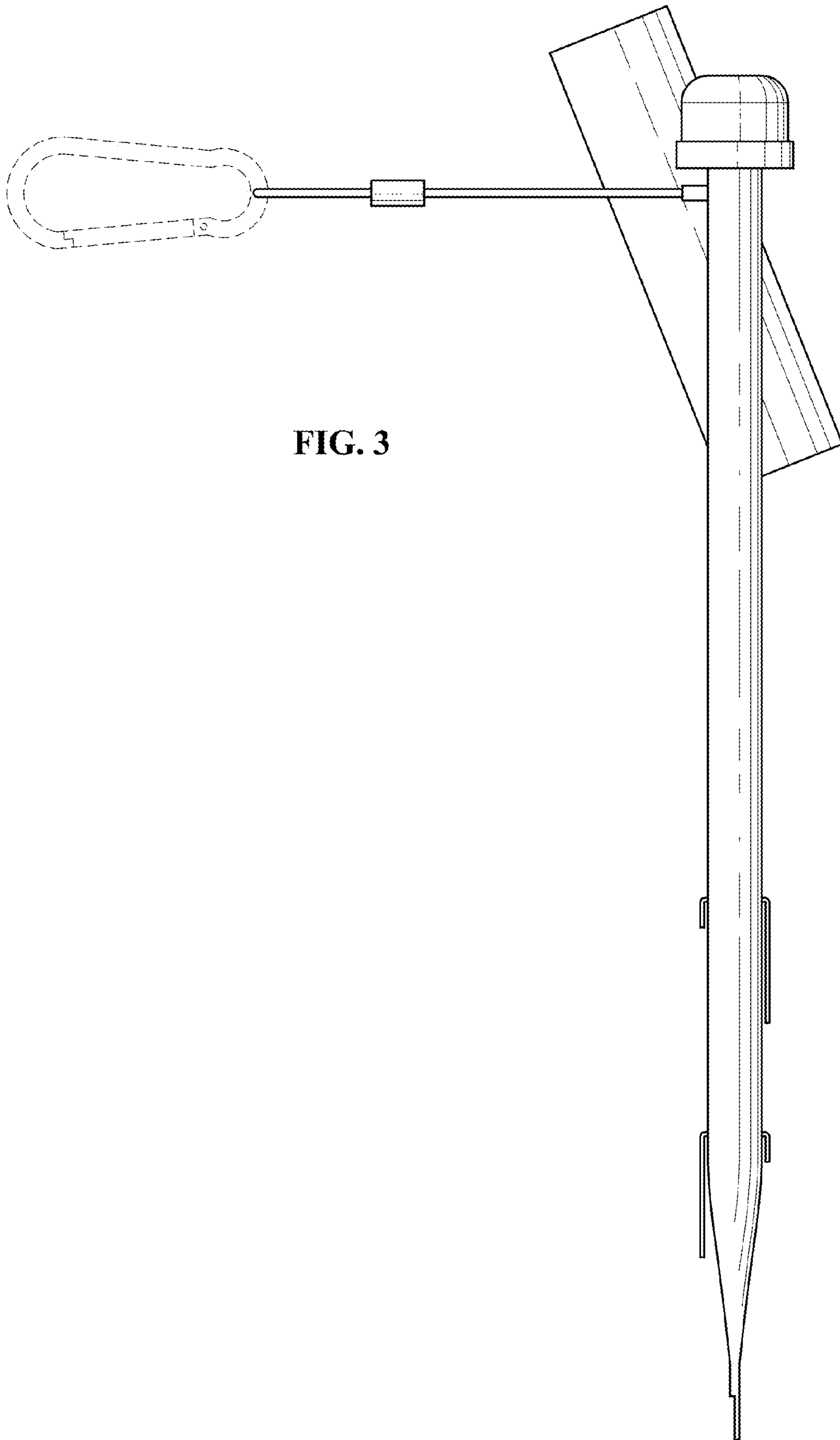


FIG. 3

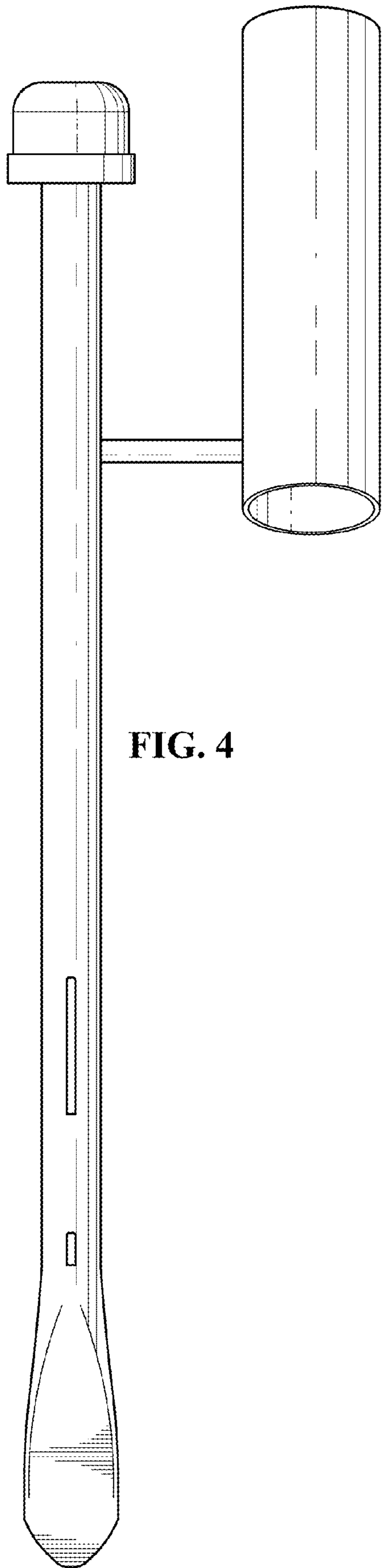


FIG. 4

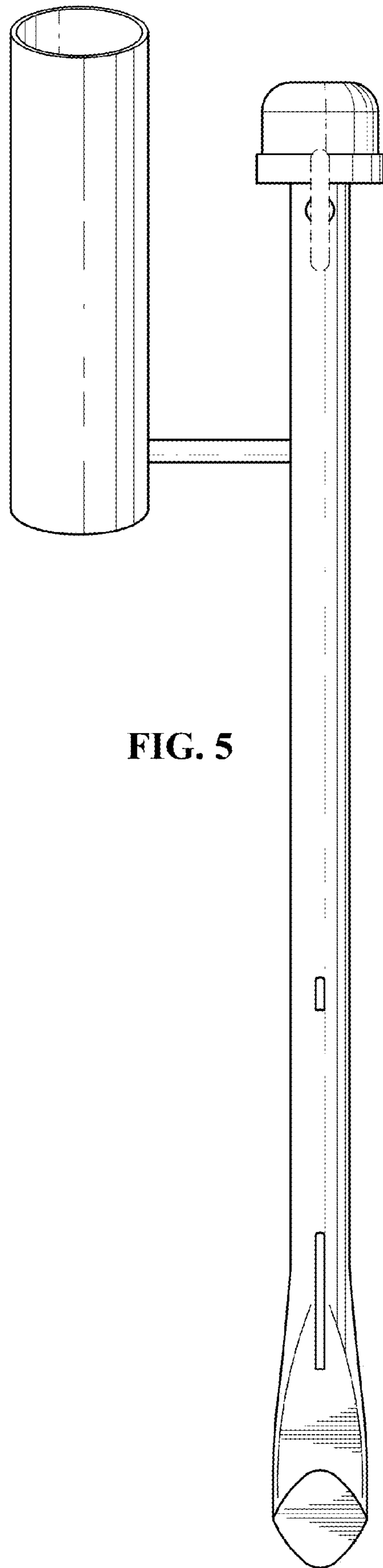
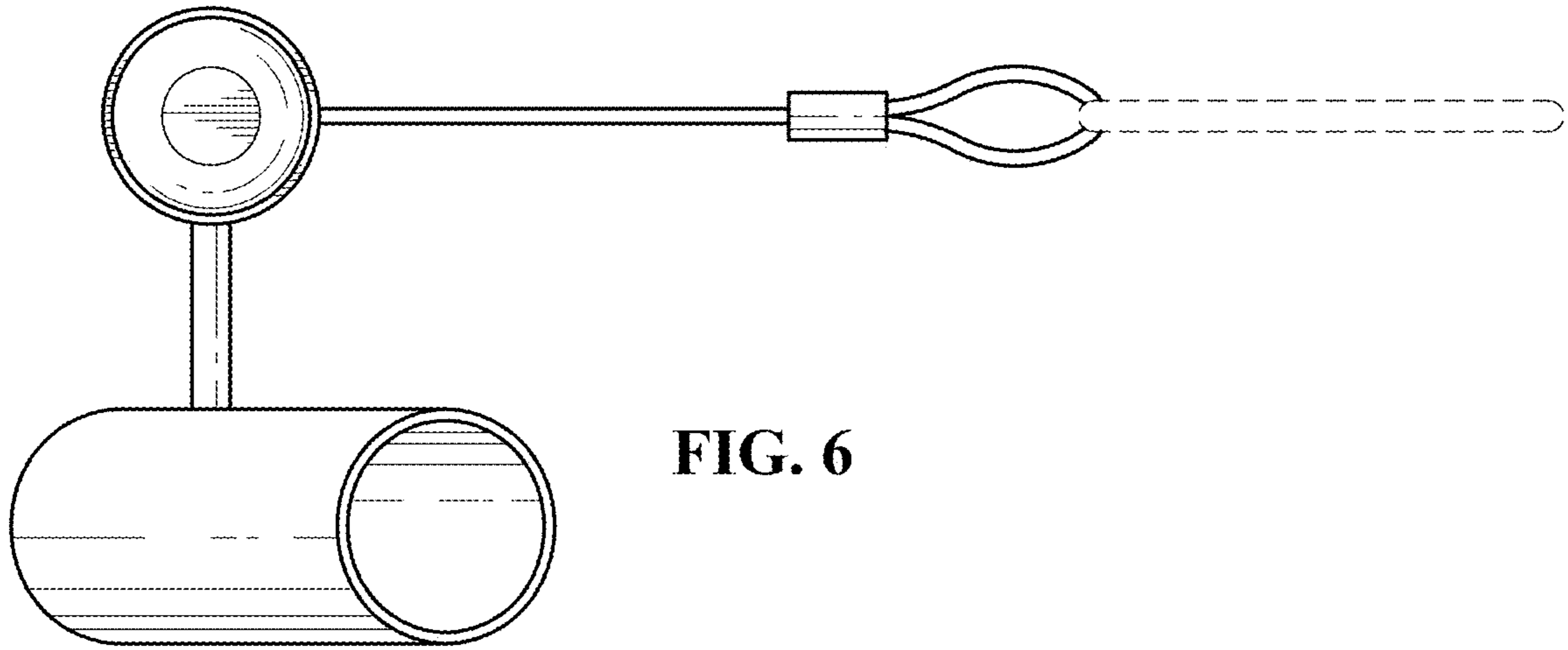
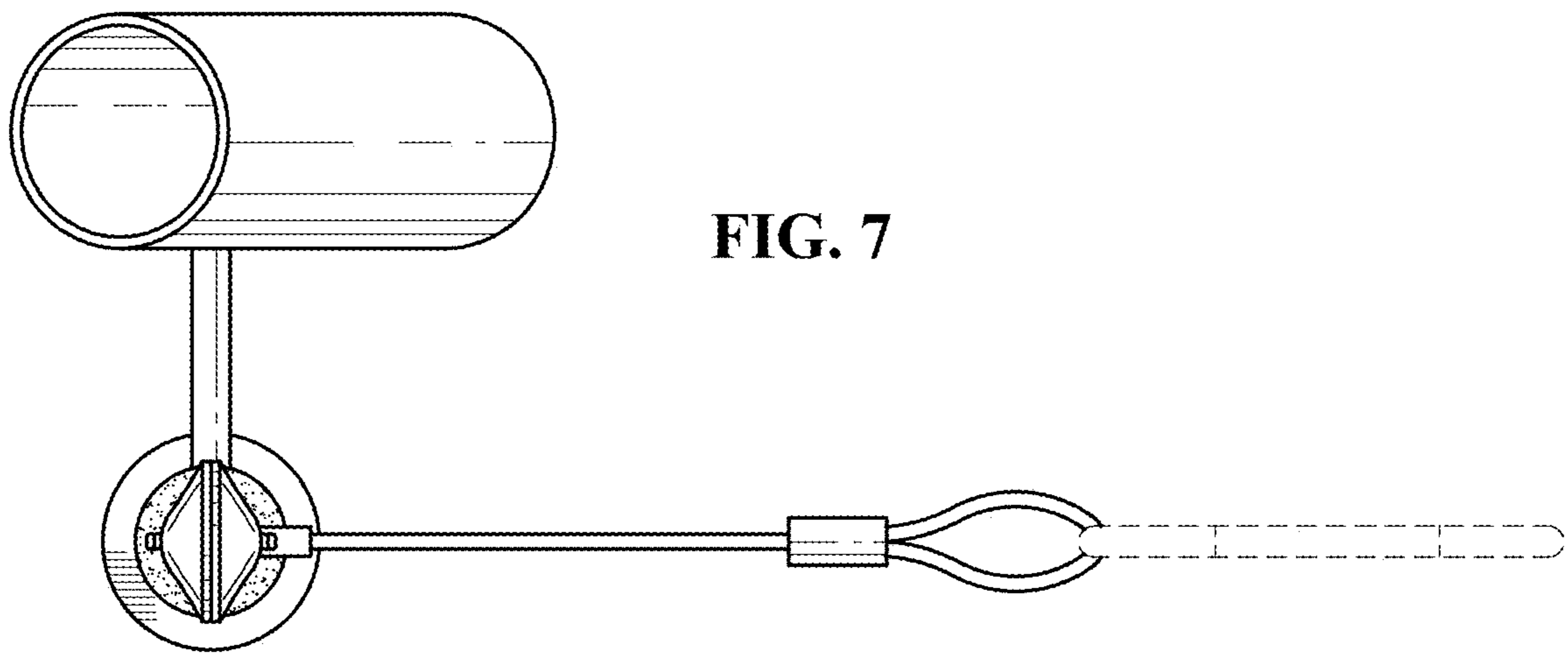


FIG. 5



**FIG. 6**



**FIG. 7**