



US00D890448S

(12) **United States Design Patent** (10) **Patent No.:** **US D890,448 S**
Cox (45) **Date of Patent:** **** Jul. 14, 2020**

(54) **LEASH HANDLE WITH STORAGE COMPARTMENTS**

(71) Applicant: **David Scott Cox**, Santa Ana, CA (US)

(72) Inventor: **David Scott Cox**, Santa Ana, CA (US)

(**) Term: **15 Years**

(21) Appl. No.: **29/644,893**

(22) Filed: **Apr. 20, 2018**

(51) **LOC (12) Cl.** **30-04**

(52) **U.S. Cl.**
USPC **D30/153; D3/274**

(58) **Field of Classification Search**
USPC D30/144, 151, 152, 153, 154, 199;
D3/215, 231, 274, 290, 299; D8/300,
D8/305, 308, 313
CPC A01K 27/004; A01K 27/008
See application file for complete search history.

(56) **References Cited**

U.S. PATENT DOCUMENTS

D379,689 S *	6/1997	Levine	D26/38
6,035,809 A *	3/2000	Fingerett	A01K 27/004 119/796
6,314,917 B1	11/2001	Ryan		
D519,246 S *	4/2006	Plewa	A01K 27/004 D30/153
7,367,286 B2	5/2008	Beaupre		
D610,752 S *	2/2010	Roediger	D30/153
D638,998 S *	5/2011	Kaneko	D30/153
D643,161 S *	8/2011	Leedom	D30/153
8,256,384 B2	9/2012	Wheeler et al.		
8,347,825 B2	1/2013	Lopez et al.		
8,397,915 B2 *	3/2013	Davidson	A45C 11/00 119/161
D727,577 S *	4/2015	Lanich	D30/153
D729,990 S *	5/2015	Taylor	D30/153
2005/0115520 A1 *	6/2005	Mancini	A01K 27/004 119/796

2006/0125255 A1	6/2006	Bell		
2006/0207522 A1 *	9/2006	Perkitny	A01K 27/004 119/796
2009/0183691 A1 *	7/2009	Hassan	A01K 27/006 119/796
2009/0261604 A1 *	10/2009	Rodriguez	A01K 27/004 294/1.3
2012/0167834 A1	7/2012	Cummings et al.		
2016/0135432 A1	5/2016	Cox		

OTHER PUBLICATIONS

“Bags on Board Retractable Leash: Best Retractable Leash to Take Camping”. Found online Jan. 5, 2018 at smallrvlife.com. Reference dated May 4, 2011. Retrieved from <http://www.smallrvlife.com/best-retractable-dog-leash-to-take-camping>.*

* cited by examiner

Primary Examiner — Kendra Leslie Hamilton
(74) *Attorney, Agent, or Firm* — Lewis Roca Rothgerber Christie LLP

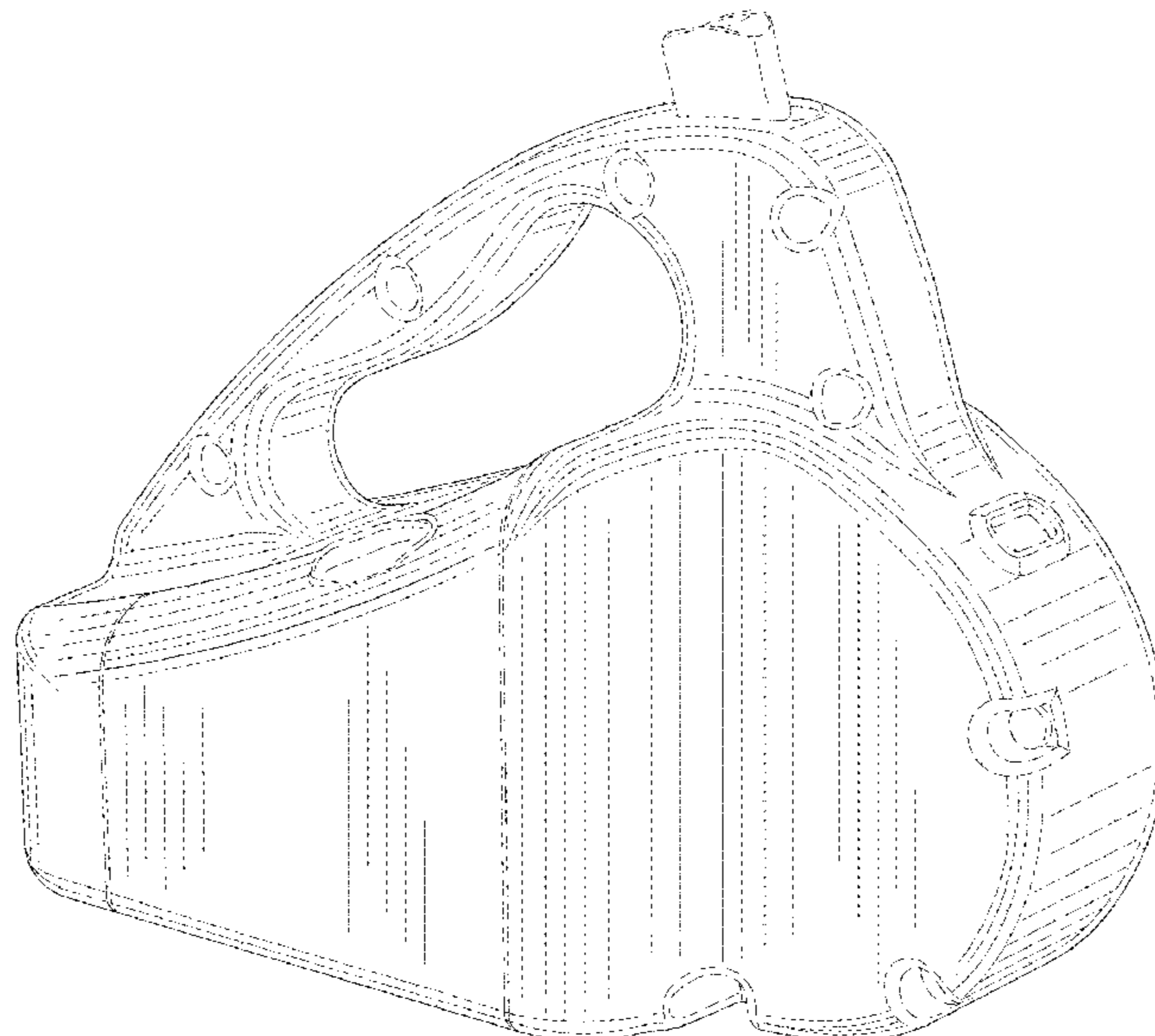
(57) **CLAIM**

The ornamental design for a leash handle with storage compartments, as shown and described.

DESCRIPTION

FIG. 1 is a front perspective view of my design for a leash handle with storage compartments;
FIG. 2 is a rear perspective view thereof;
FIG. 3 is a front view thereof;
FIG. 4 is a right side view thereof;
FIG. 5 is a rear view thereof;
FIG. 6 is a left side view thereof;
FIG. 7 is a top view thereof; and,
FIG. 8 is a bottom view thereof.
The broken lines in the drawings depict portions of the leash handle with storage compartments that form no part of the claimed design.

1 Claim, 7 Drawing Sheets



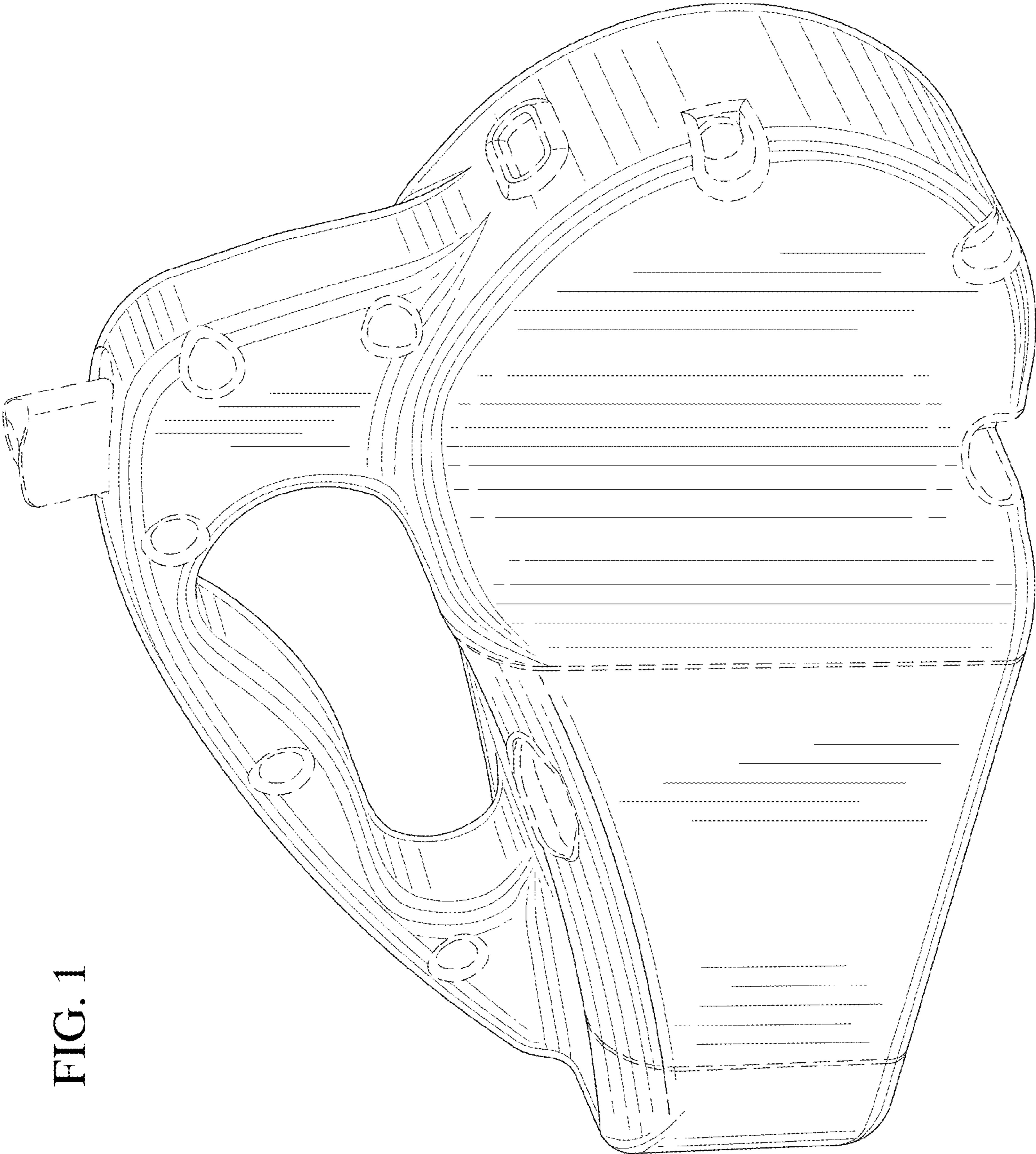


FIG. 1

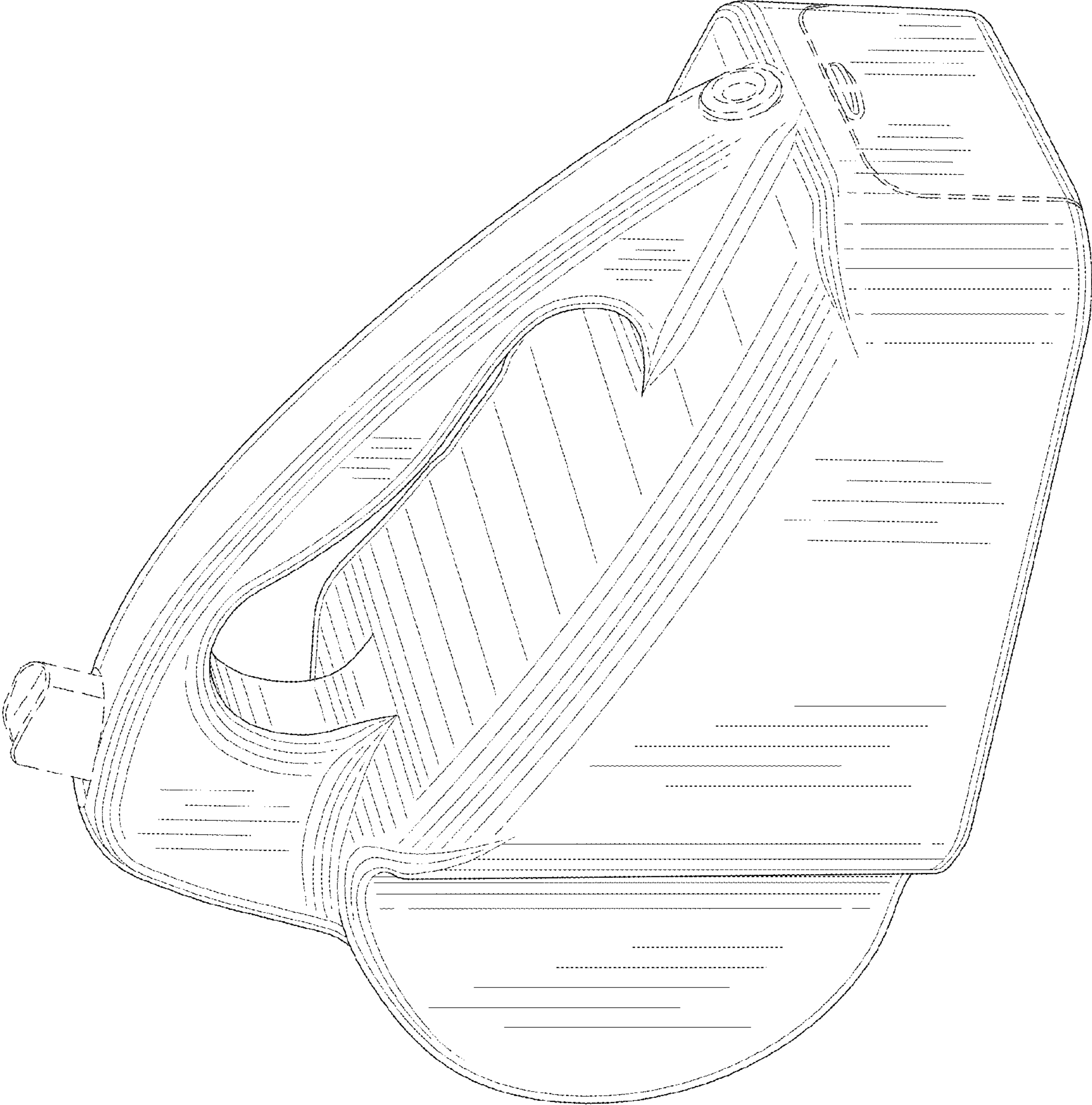


FIG. 2

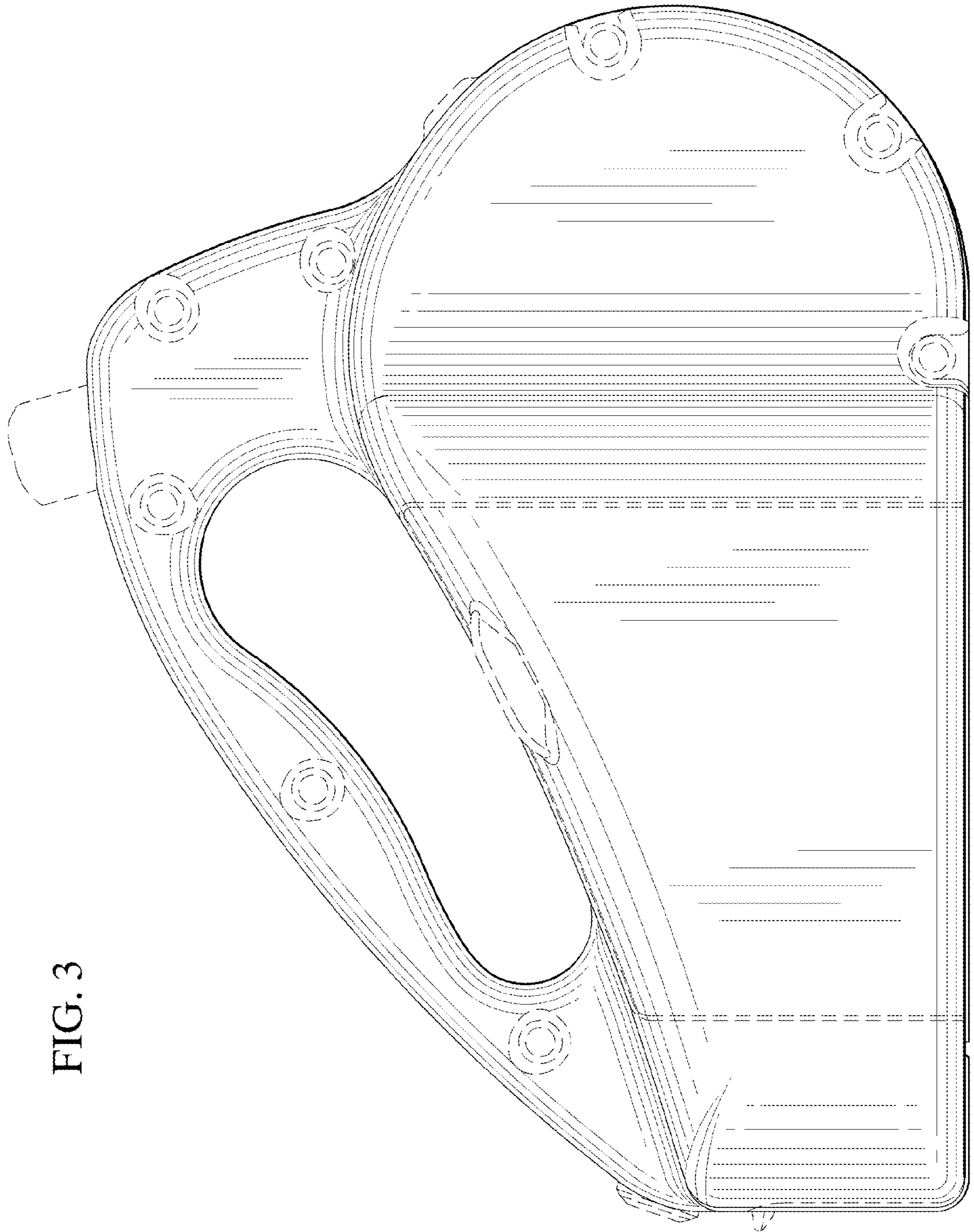


FIG. 3

FIG. 6

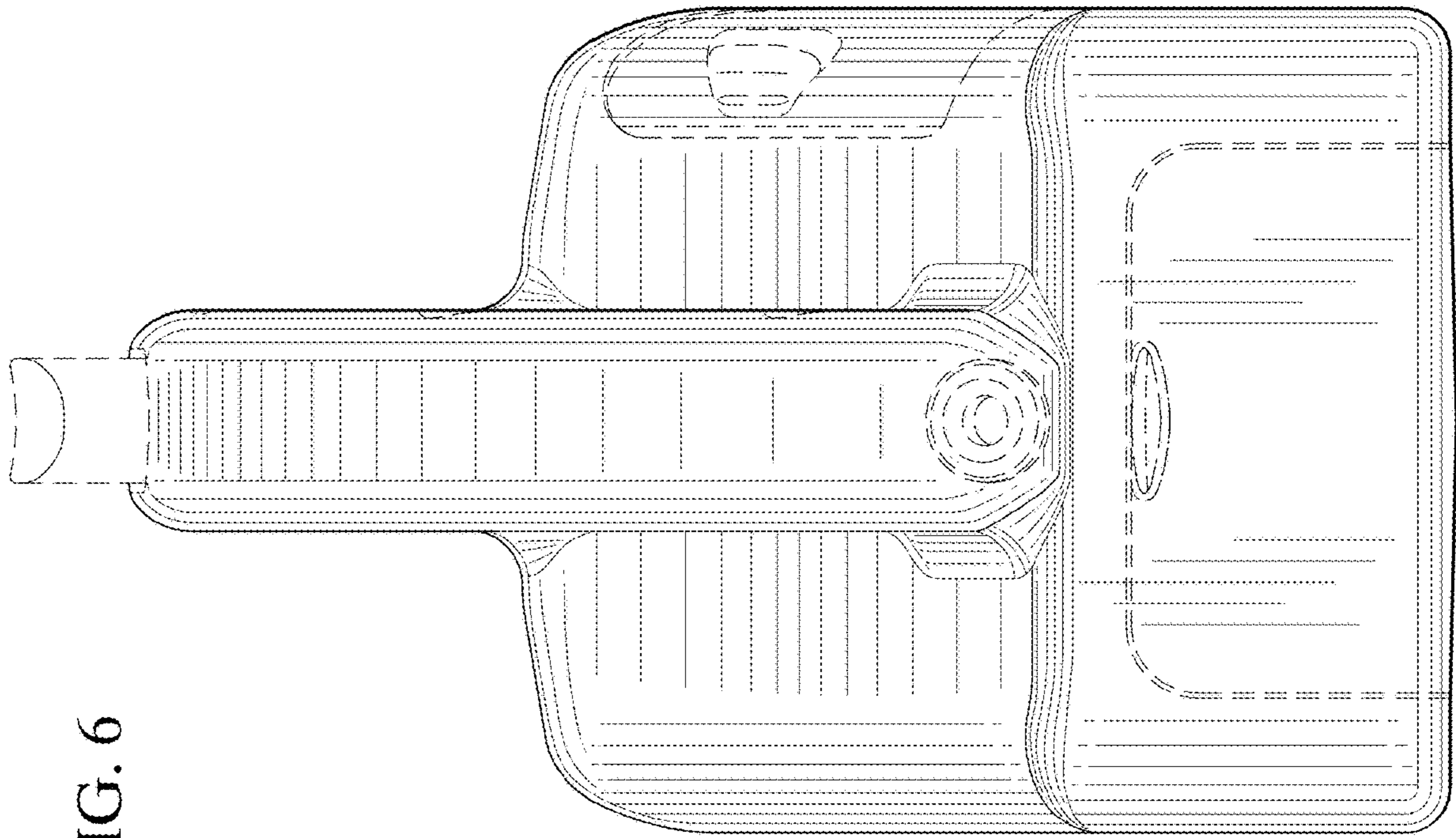
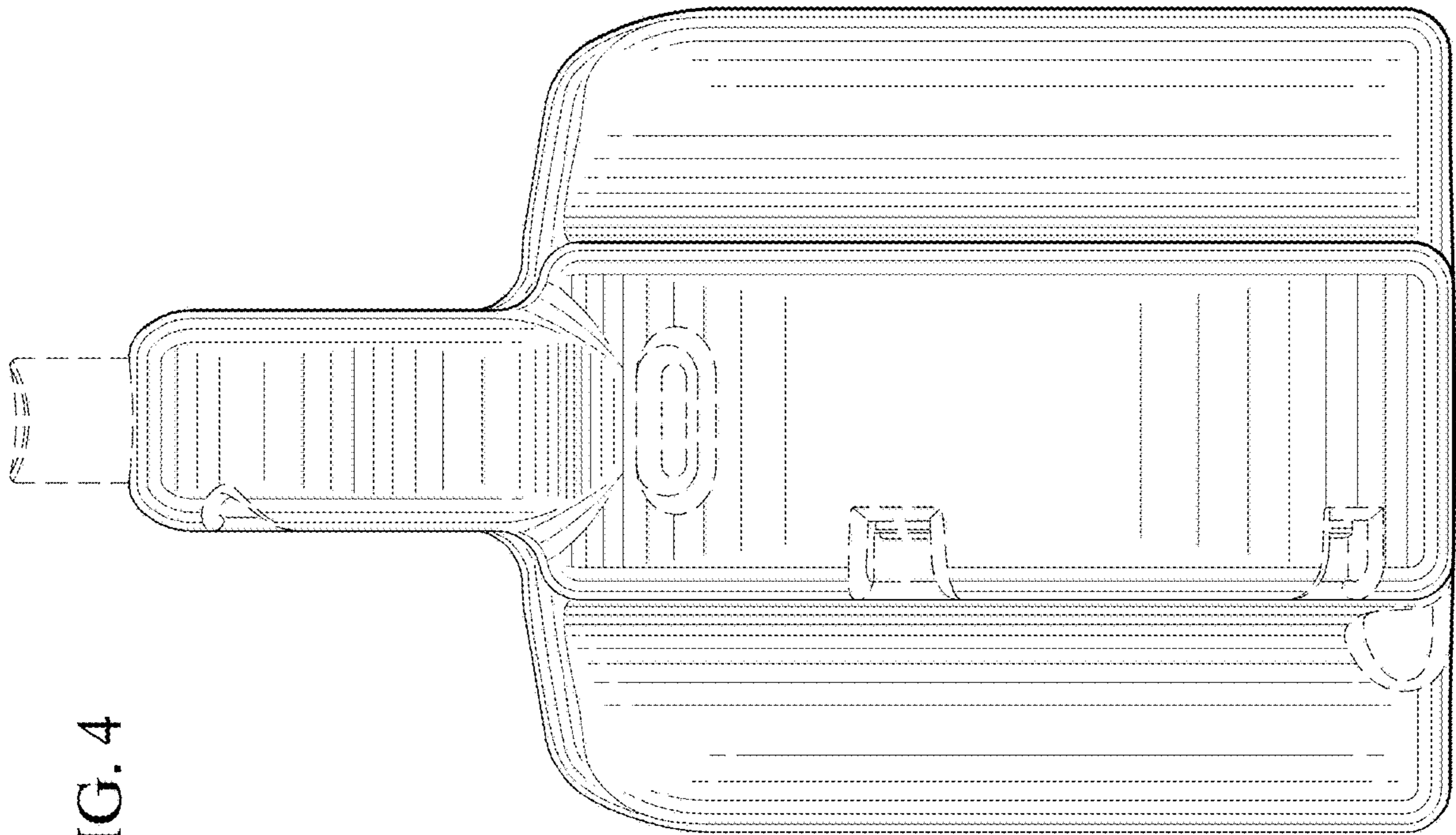


FIG. 4



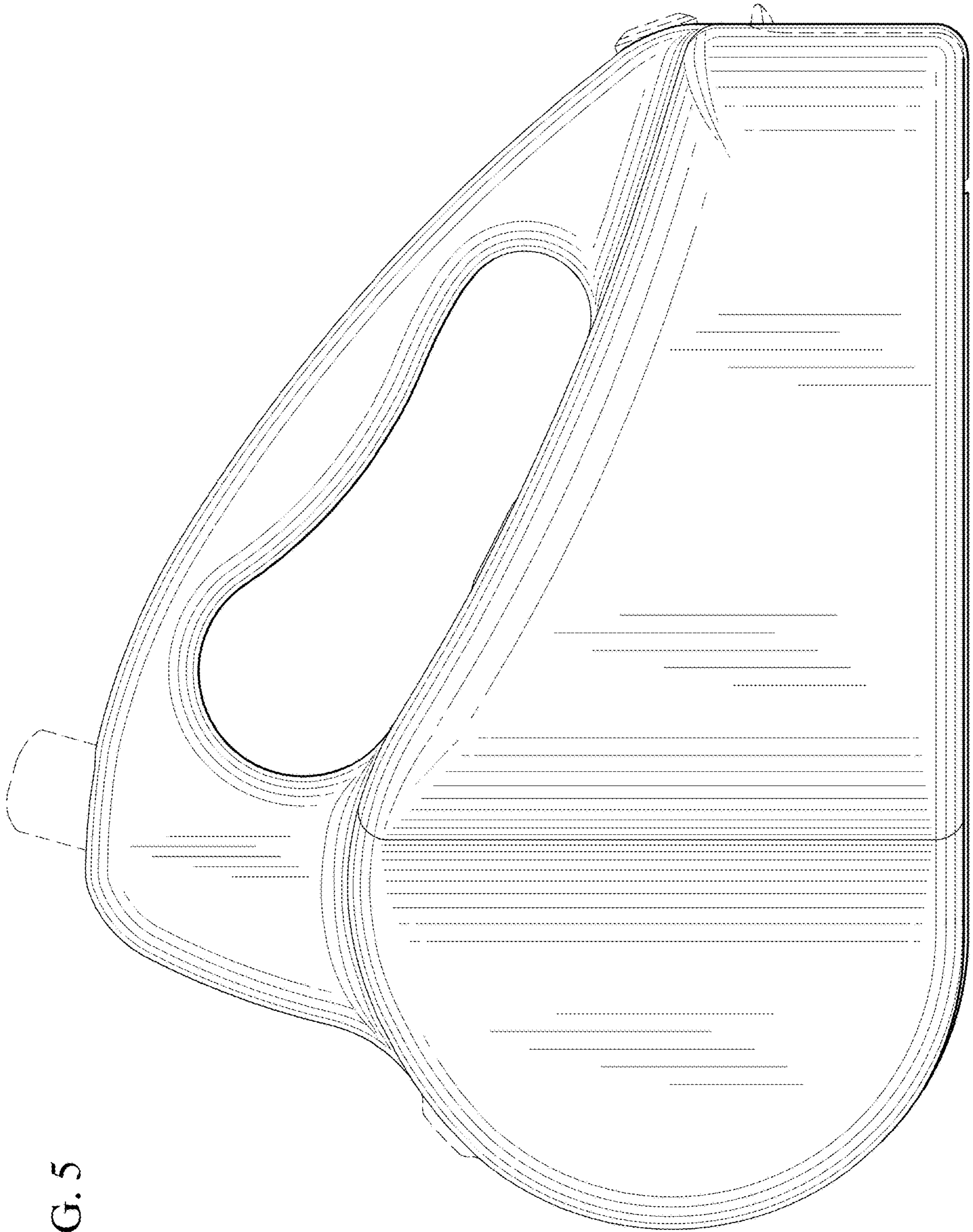


FIG. 5

FIG. 7

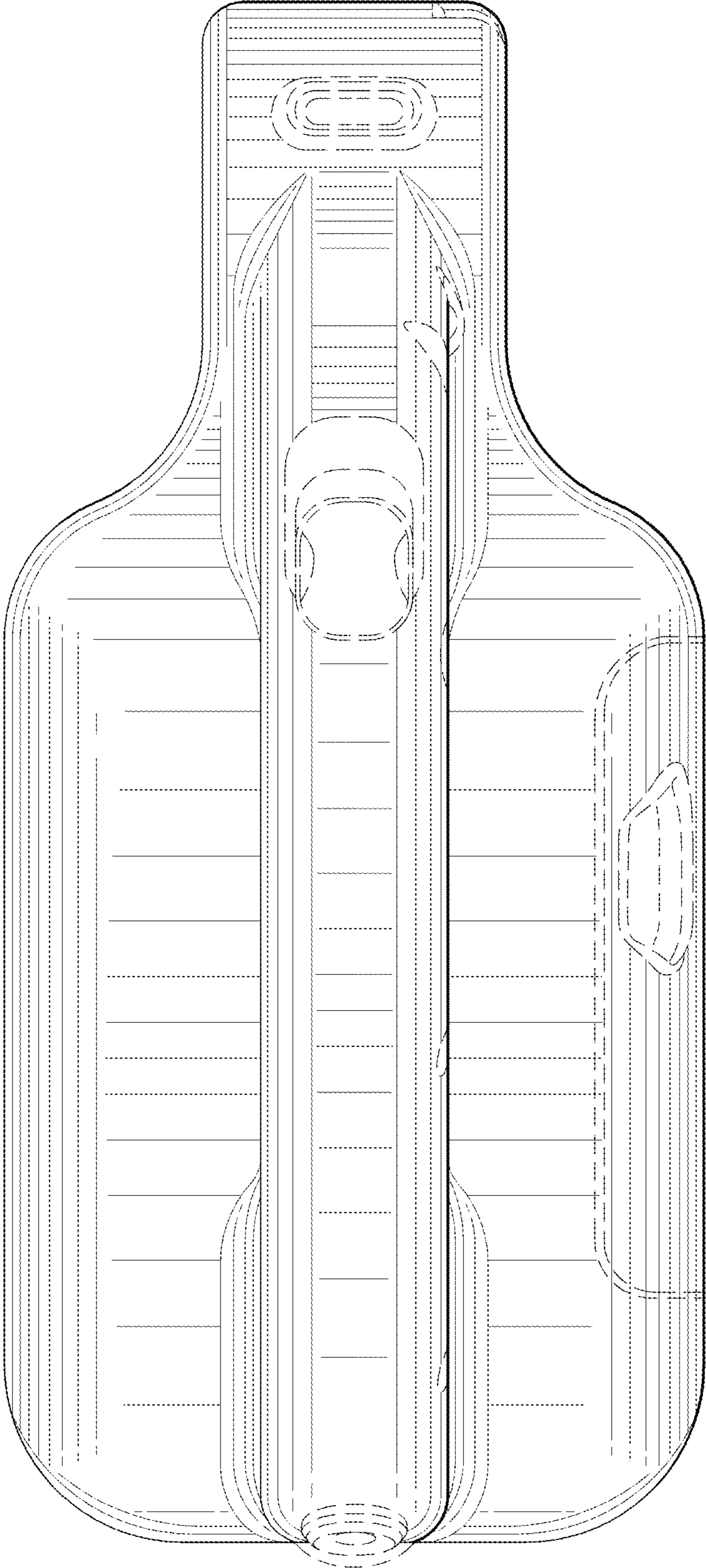


FIG. 8

