



US00D890447S

(12) **United States Design Patent**  
**Gao**

(10) **Patent No.:** **US D890,447 S**

(45) **Date of Patent:** **\*\* Jul. 14, 2020**

(54) **DOG FEEDER**

(71) Applicant: **Xianfeng Gao**, Qingdao (CN)

(72) Inventor: **Xianfeng Gao**, Qingdao (CN)

(\*\*) Term: **15 Years**

(21) Appl. No.: **29/729,220**

(22) Filed: **Mar. 25, 2020**

(51) **LOC (12) Cl.** ..... **30-03**

(52) **U.S. Cl.**

USPC ..... **D30/133**; D30/121; D30/131; D30/130

(58) **Field of Classification Search**

USPC ..... D30/133, 121, 128, 130, 132; 119/52.1,  
119/55, 61.5, 61.6, 61.57, 61.56;  
D6/480-489, 708, 691.6, 656.13, 691.8,  
D6/495-499, 349, 429, 477, 353, 690;  
248/188, 157, 188.5, 188.8, 188.9, 404,  
248/226.11, 231.31; 312/204;  
108/153.1-157, 144.11, 145, 146, 147.12,  
108/147.21, 148, 149, 150, 151, 152,  
108/157.1, 161, 147.19, 64, 136;  
297/423.46, 423.44, 423.45; 5/659,  
5/503.1, 505.1

CPC ..... A01K 5/00; A01K 5/01; A01K 5/0107;  
A01K 5/0114; A01K 5/0121; A01K  
5/0128; A01K 5/0135; A01K 7/005

See application file for complete search history.

(56) **References Cited**

**U.S. PATENT DOCUMENTS**

D342,350 S \* 12/1993 Gower ..... D30/133  
D374,517 S \* 10/1996 Morrill ..... D30/133  
D424,759 S \* 5/2000 Sipka  
D506,295 S \* 6/2005 Hammer ..... 119/55  
D521,690 S \* 5/2006 Krcek ..... D30/133  
D552,803 S \* 10/2007 White ..... D30/133  
7,762,211 B1 \* 7/2010 McDaniel ..... A01K 5/0291  
119/51.5  
D622,013 S \* 8/2010 Aho ..... D30/133

D646,440 S \* 10/2011 Chance ..... D30/130  
D646,441 S \* 10/2011 Chance ..... D30/130  
D657,920 S \* 4/2012 Rivera, Sr. .... D30/121  
D662,265 S \* 6/2012 Lee ..... D30/133  
D682,485 S \* 5/2013 Wygle ..... D30/129  
D686,784 S \* 7/2013 Elliott ..... D30/133  
D695,974 S \* 12/2013 Young ..... D30/130  
D699,402 S \* 2/2014 Diskin ..... D30/129  
D717,505 S \* 11/2014 Diskin ..... D30/129  
9,226,478 B1 \* 1/2016 Uhl ..... A01K 5/0114  
9,288,967 B1 \* 3/2016 Wampler ..... A01K 7/00  
D756,571 S \* 5/2016 Colvin ..... D30/121  
D772,494 S \* 11/2016 Wu ..... D30/133  
D777,993 S \* 1/2017 Green ..... D30/133  
D787,135 S \* 5/2017 Green ..... D30/121  
9,668,455 B1 \* 6/2017 Carmichael ..... A01K 5/0114  
D792,660 S \* 7/2017 Wold ..... D30/121  
D792,661 S \* 7/2017 Wold ..... D30/121  
D800,396 S \* 10/2017 Coviello ..... D30/133

(Continued)

*Primary Examiner* — Susan Moon Lee

(74) *Attorney, Agent, or Firm* — ZANIP

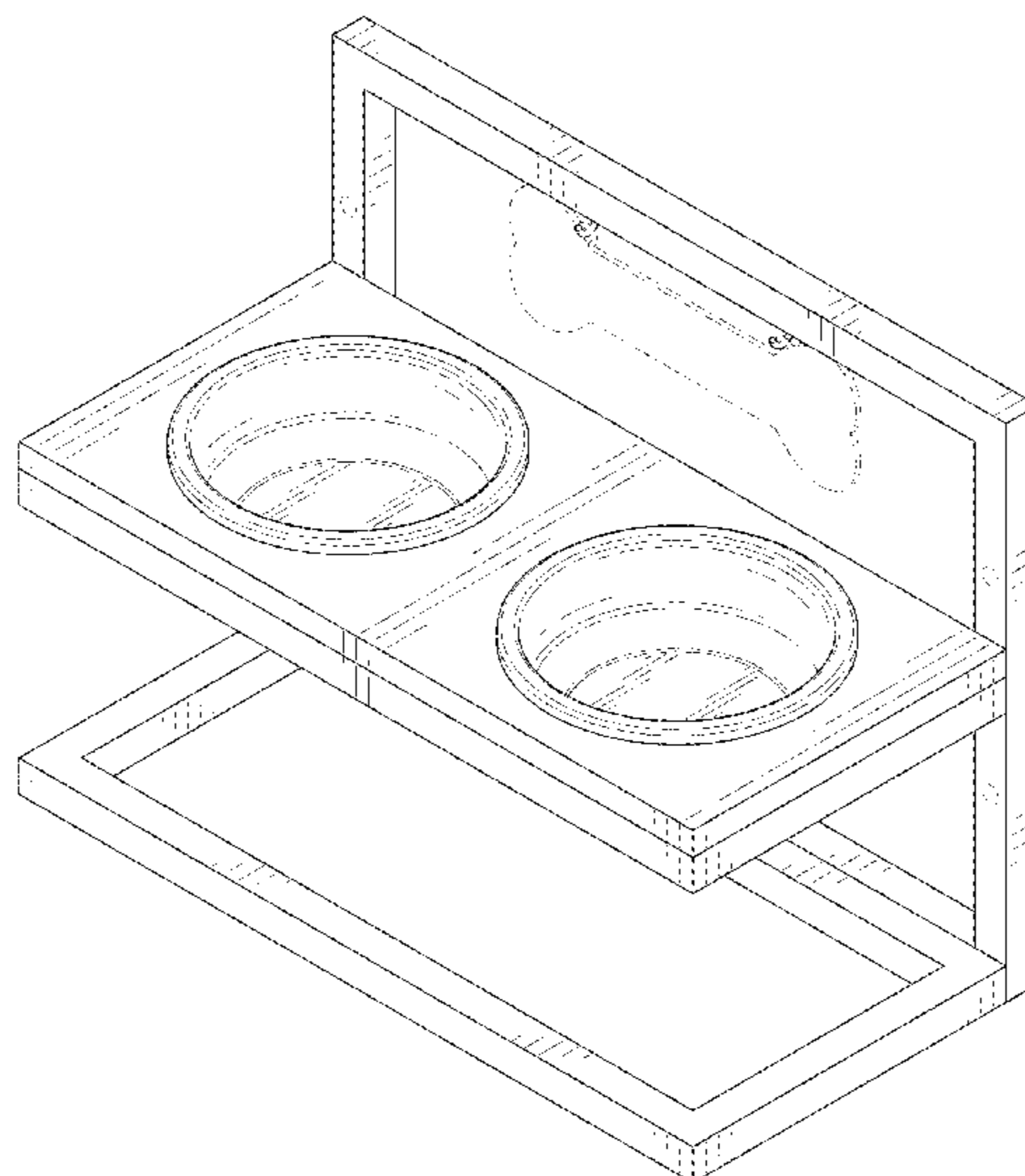
(57) **CLAIM**

The ornamental design for a dog feeder, as shown and described.

**DESCRIPTION**

FIG. 1 is a front and top perspective view of a dog feeder, showing my new design;  
FIG. 2 is a rear and bottom perspective view thereof;  
FIG. 3 is a front elevational view thereof;  
FIG. 4 is a rear elevational view thereof;  
FIG. 5 is a left side elevational view thereof;  
FIG. 6 is a right side elevational view thereof;  
FIG. 7 is a top plan view thereof; and,  
FIG. 8 is a bottom plan view thereof.  
The broken lines in the figures illustrate portions of the dog feeder that form no part of the claimed design.

**1 Claim, 8 Drawing Sheets**



(56)

**References Cited**

U.S. PATENT DOCUMENTS

D830,647 S \* 10/2018 Le ..... D30/133  
10,149,456 B2 \* 12/2018 Diamond ..... A01K 5/0114  
D846,816 S \* 4/2019 Tsengas ..... D30/133  
D848,080 S \* 5/2019 Qiao ..... D30/133  
10,412,929 B2 \* 9/2019 Kasper ..... A01K 5/0114  
2003/0106498 A1 \* 6/2003 Mersits ..... A01K 5/0142  
119/61.53  
2005/0115508 A1 \* 6/2005 Little ..... A01K 5/0114  
119/61.5  
2005/0211190 A1 \* 9/2005 Weinblatt ..... A01K 5/0135  
119/814  
2010/0162961 A1 \* 7/2010 Hove ..... A01K 7/00  
119/51.5  
2015/0308615 A1 \* 10/2015 Neaves ..... A01K 5/0114  
119/61.57  
2017/0105386 A1 \* 4/2017 Wu ..... A01K 5/0114

\* cited by examiner

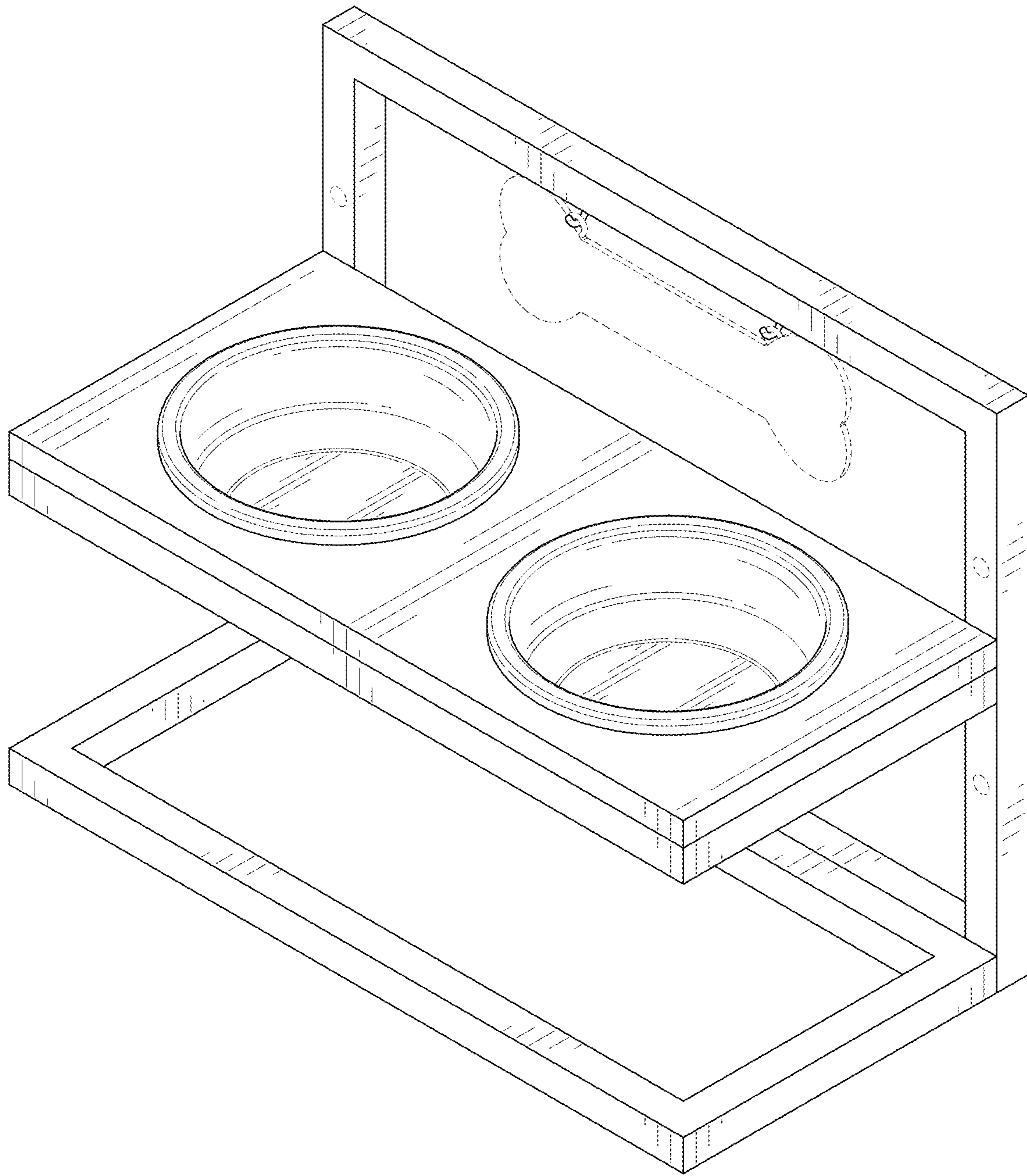


FIG. 1

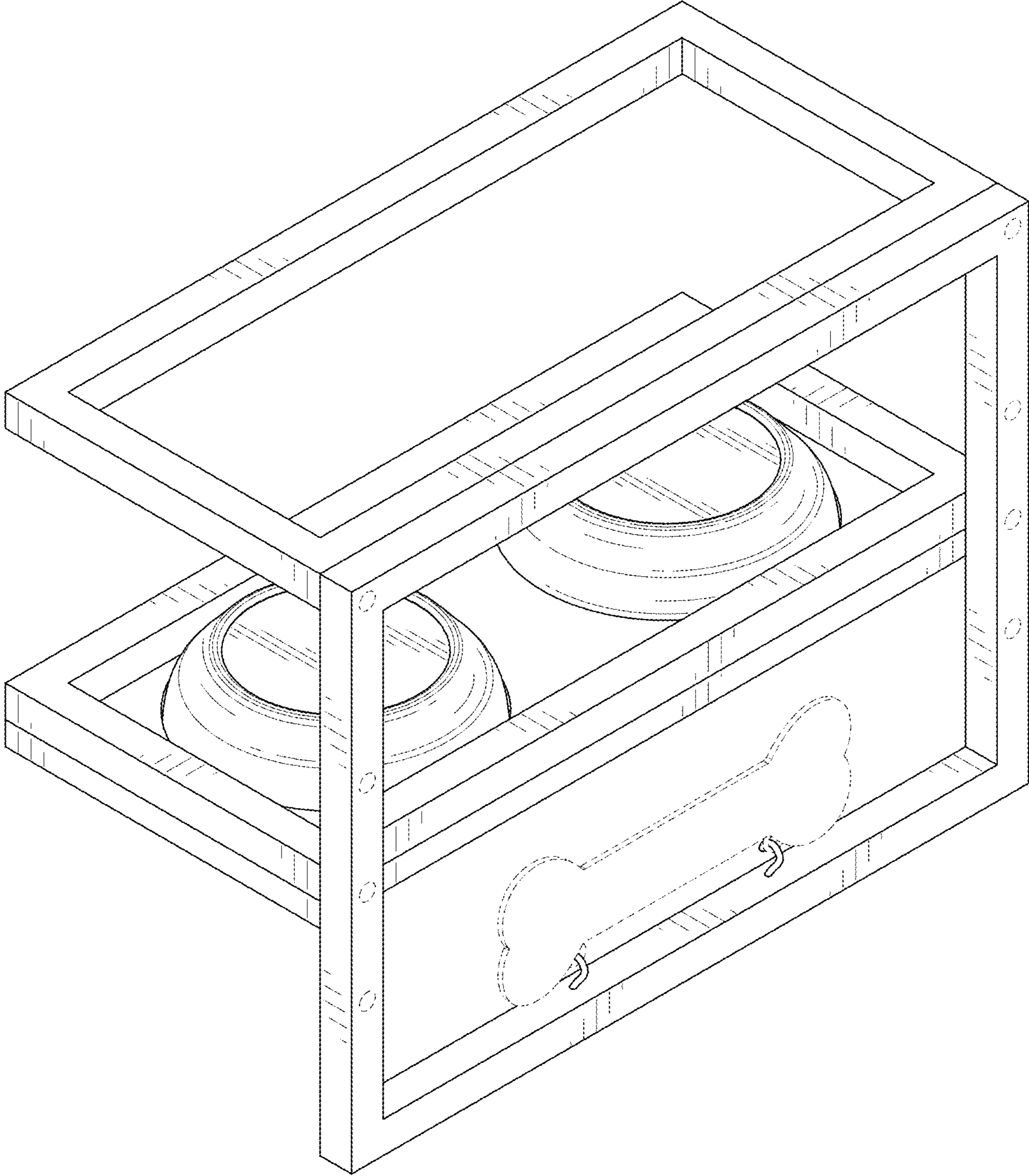


FIG. 2

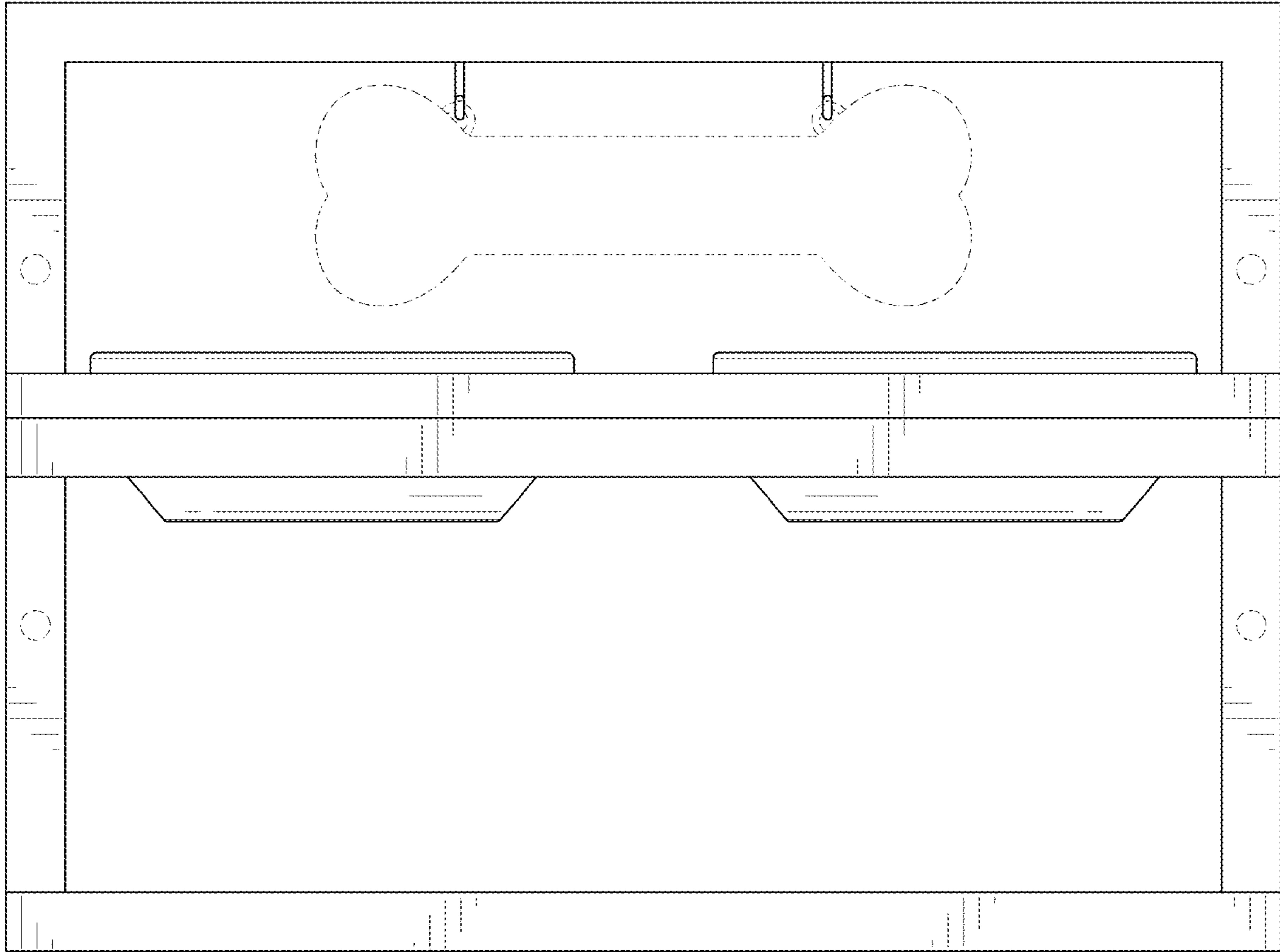


FIG. 3

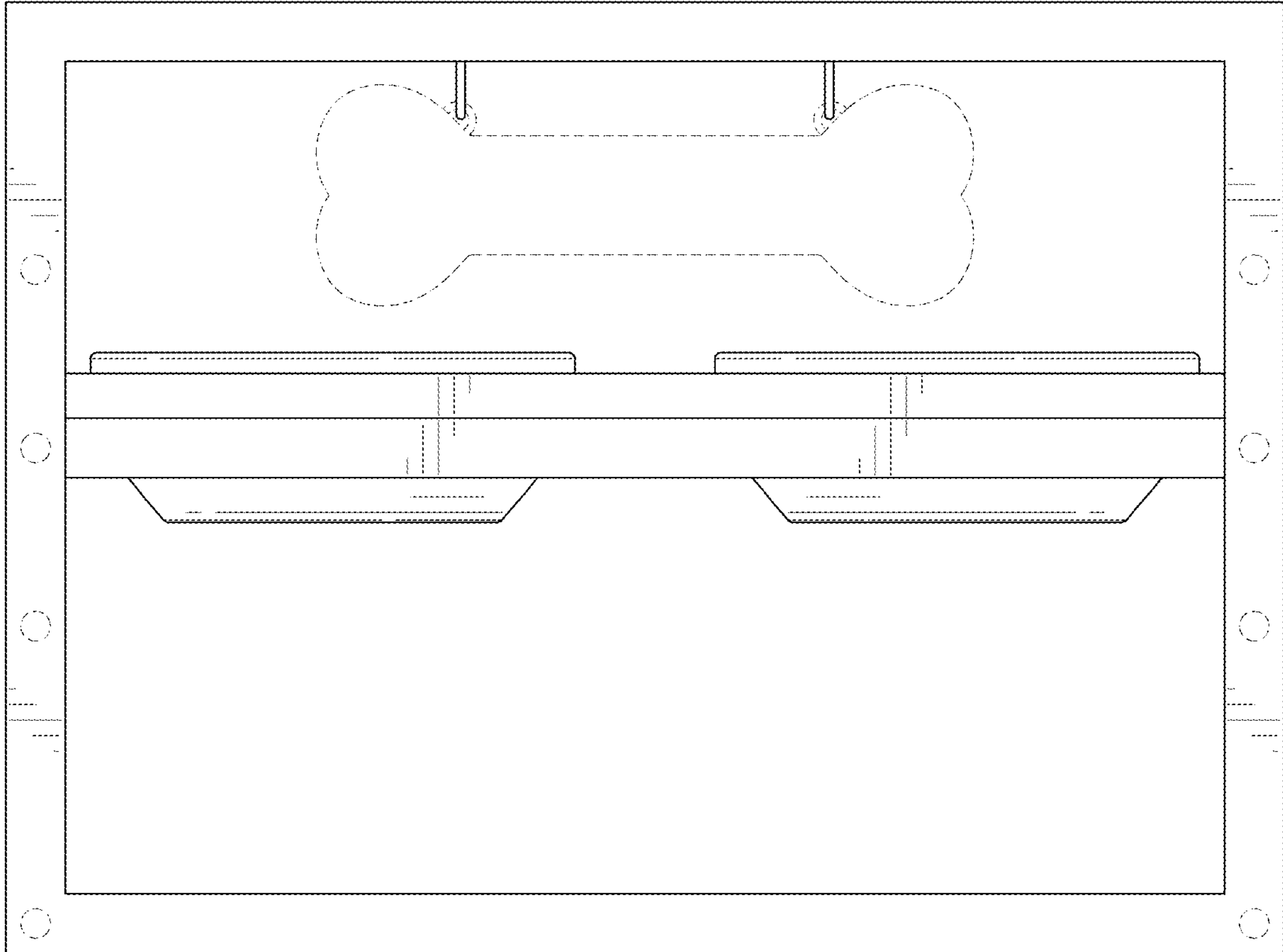


FIG. 4

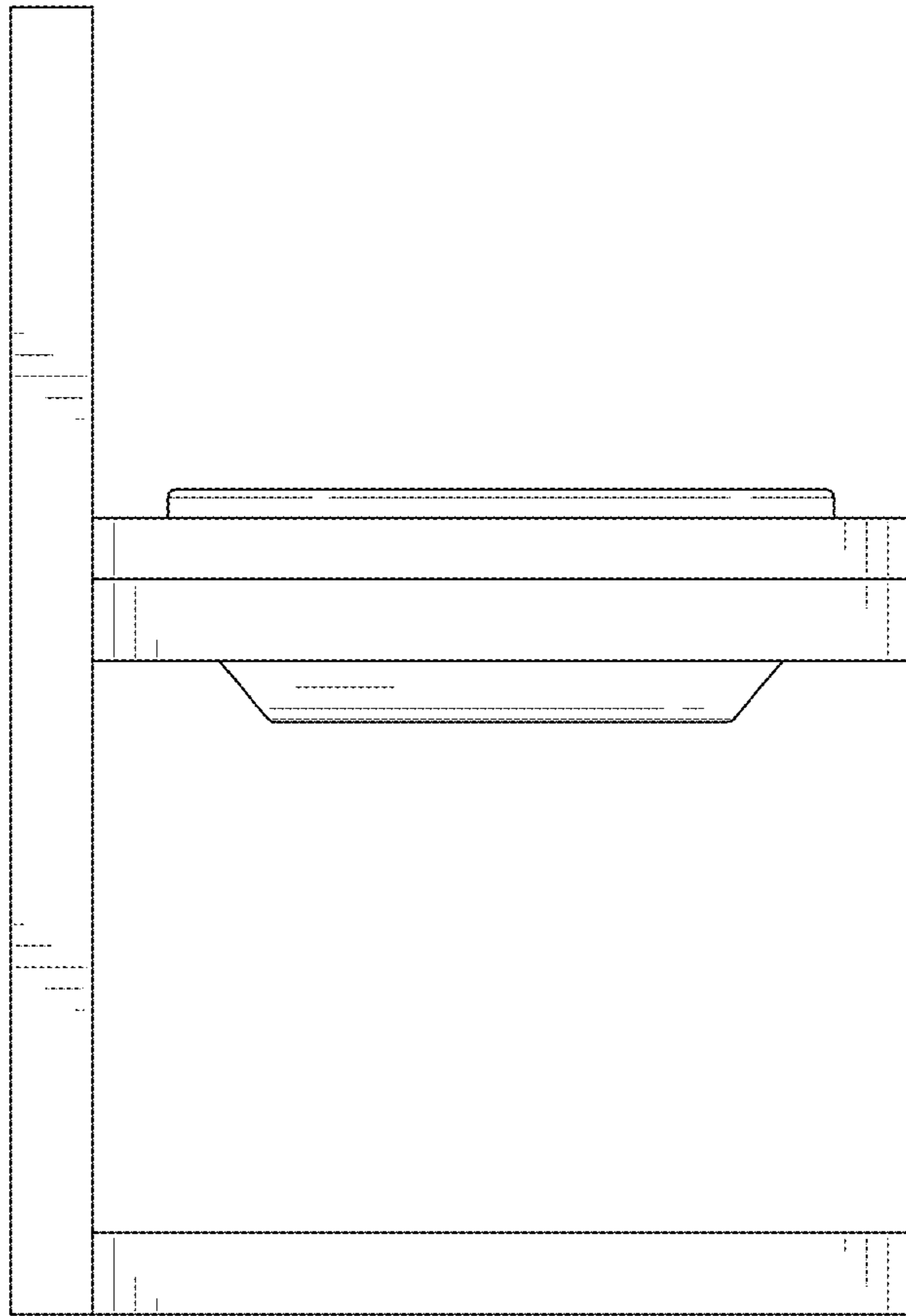


FIG. 5

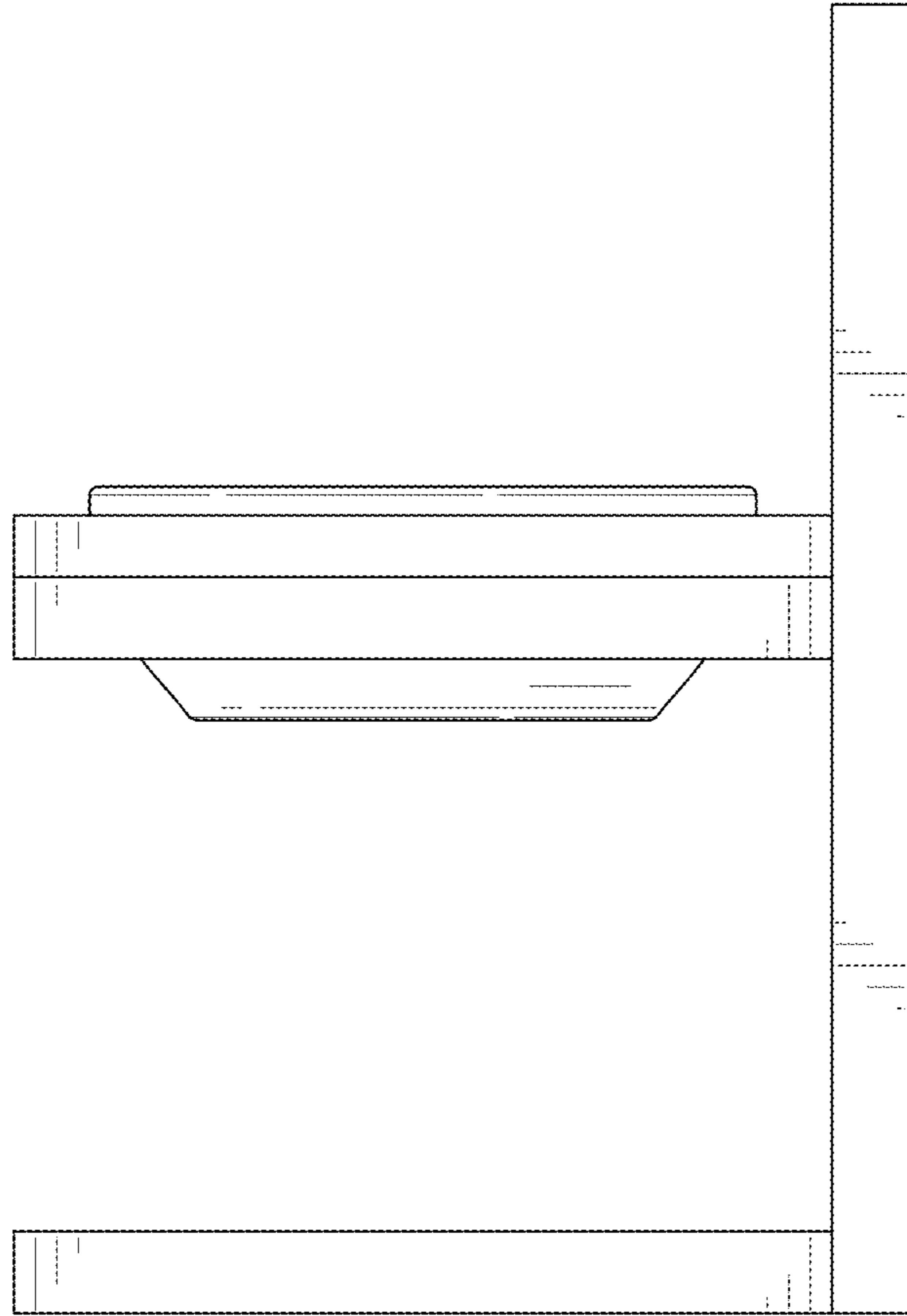


FIG. 6



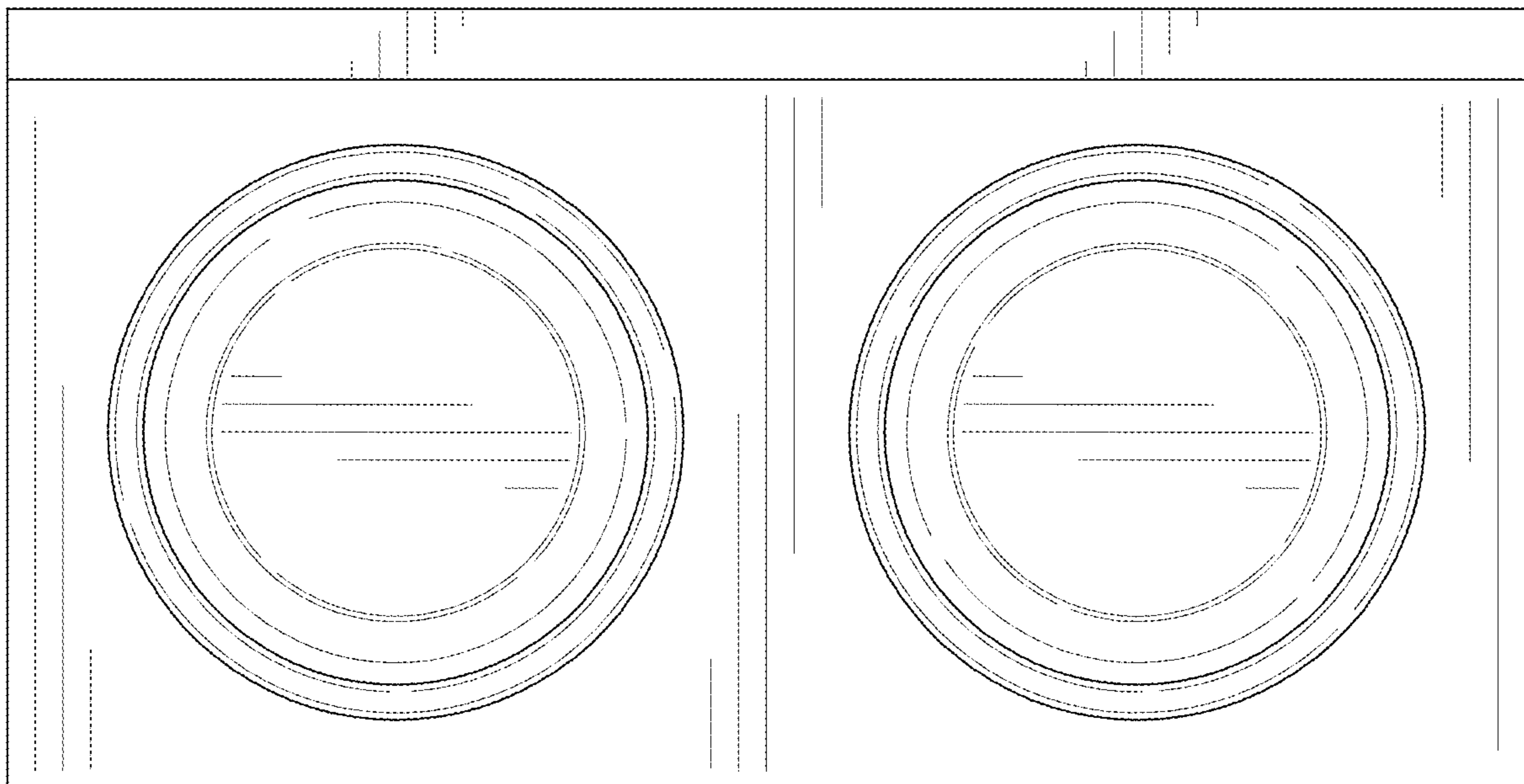


FIG. 7

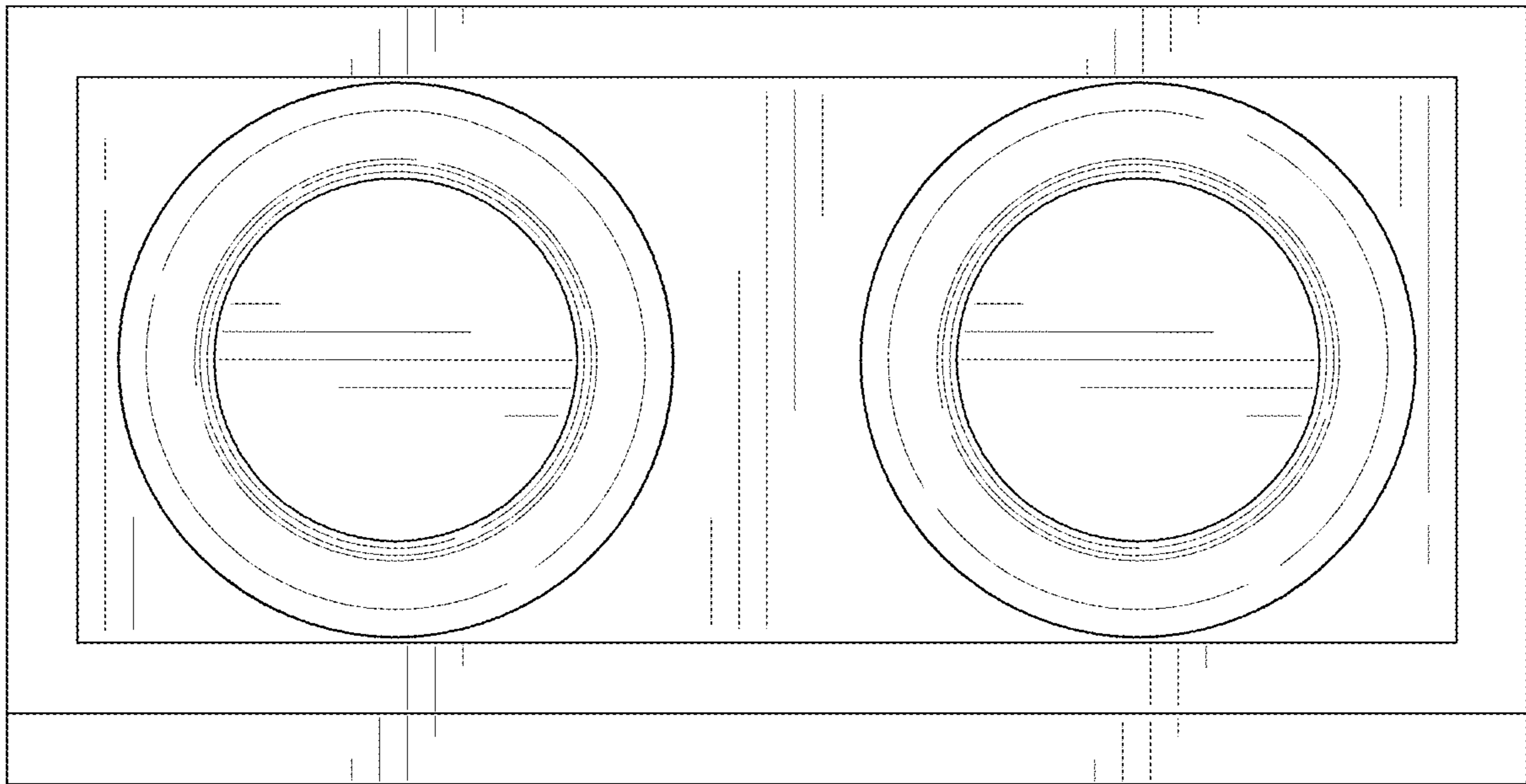


FIG. 8