



US00D890446S

(12) **United States Design Patent**
Watercutter

(10) **Patent No.:** **US D890,446 S**
(45) **Date of Patent:** **** Jul. 14, 2020**

(54) **POULTRY FEEDER PAN WITH A PIVOTABLE DROP DOWN CENTER CONE**

(71) Applicant: **Gerald L. Watercutter**, Maria Stein, OH (US)

(72) Inventor: **Gerald L. Watercutter**, Maria Stein, OH (US)

(**) Term: **15 Years**

(21) Appl. No.: **29/667,836**

(22) Filed: **Oct. 25, 2018**

(51) **LOC (12) Cl.** **30-03**

(52) **U.S. Cl.**
USPC **D30/131; D30/121**

(58) **Field of Classification Search**
USPC D30/121, 122, 132, 124, 127, 128, 131, D30/133; D22/122, 123; 43/121, 124, 43/126, 131, 132.1, 133, 138, 114, 107; 119/53, 51.01, 51.5, 52.1, 52.3-61.4, 119/72-81
CPC A01K 5/0225; A01K 39/0125; A01K 39/014; A01K 39/026; A01K 39/012; A01K 39/00-06; A01K 5/00; A01K 5/01; A01K 5/0107; A01K 5/02; A01K 5/0216-0291; A01K 7/00; A01K 7/02-06; A01M 1/023; A01M 1/026; A01M 1/04; A01M 1/08; A01M 1/10; A01M 1/00; A01M 1/02
See application file for complete search history.

(56) **References Cited**

U.S. PATENT DOCUMENTS

3,490,419 A * 1/1970 Huis A01K 39/0125 119/53
D218,979 S * 10/1970 Kofford D30/132
3,566,843 A * 3/1971 Van Huis A01K 39/0125 119/53

3,971,340 A * 7/1976 Allen A01K 39/0125 119/57.4
4,216,742 A * 8/1980 Kirchhofer A01K 39/0125 119/457
4,552,095 A * 11/1985 Segalla A01K 39/0125 119/53
5,007,380 A * 4/1991 Badia A01K 39/0125 119/53
5,092,274 A * 3/1992 Cole A01K 39/0125 119/57.4
5,097,797 A * 3/1992 Van Zee A01K 39/0125 119/57.4
5,101,766 A 4/1992 Runion
5,113,797 A * 5/1992 van Daele A01K 39/0125 119/53
5,235,934 A * 8/1993 Runion A01K 39/0125 119/464
5,275,131 A * 1/1994 Brake A01K 39/0125 119/52.4
5,311,839 A * 5/1994 Pollock A01K 39/0125 119/53

(Continued)

Primary Examiner — Susan Moon Lee
(74) *Attorney, Agent, or Firm* — Jacox, Meckstroth & Jenkins

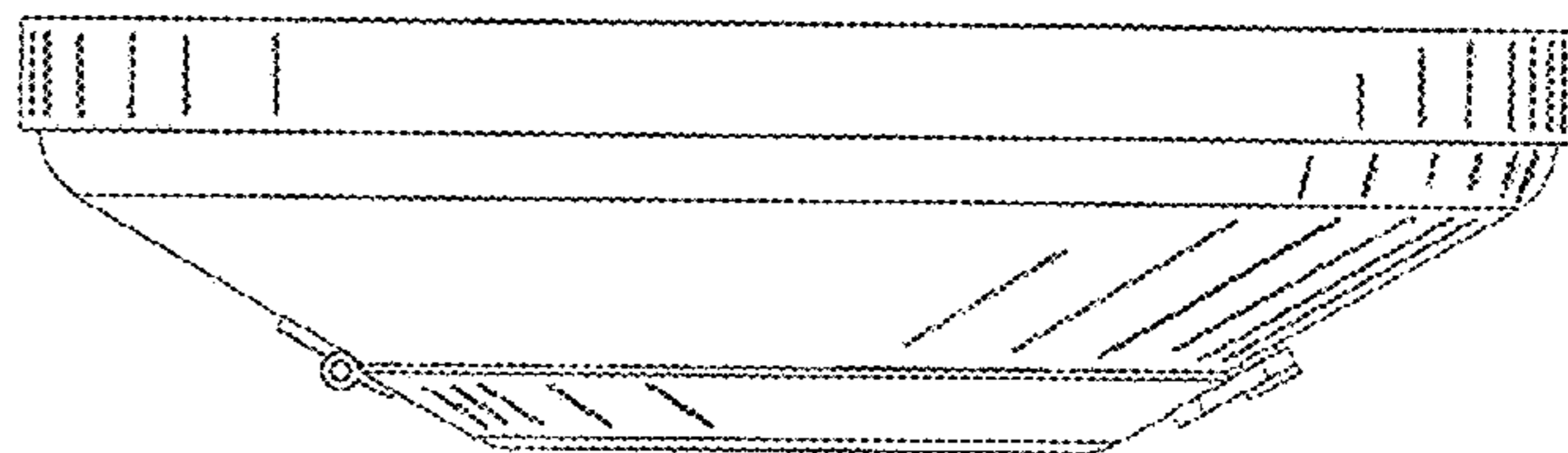
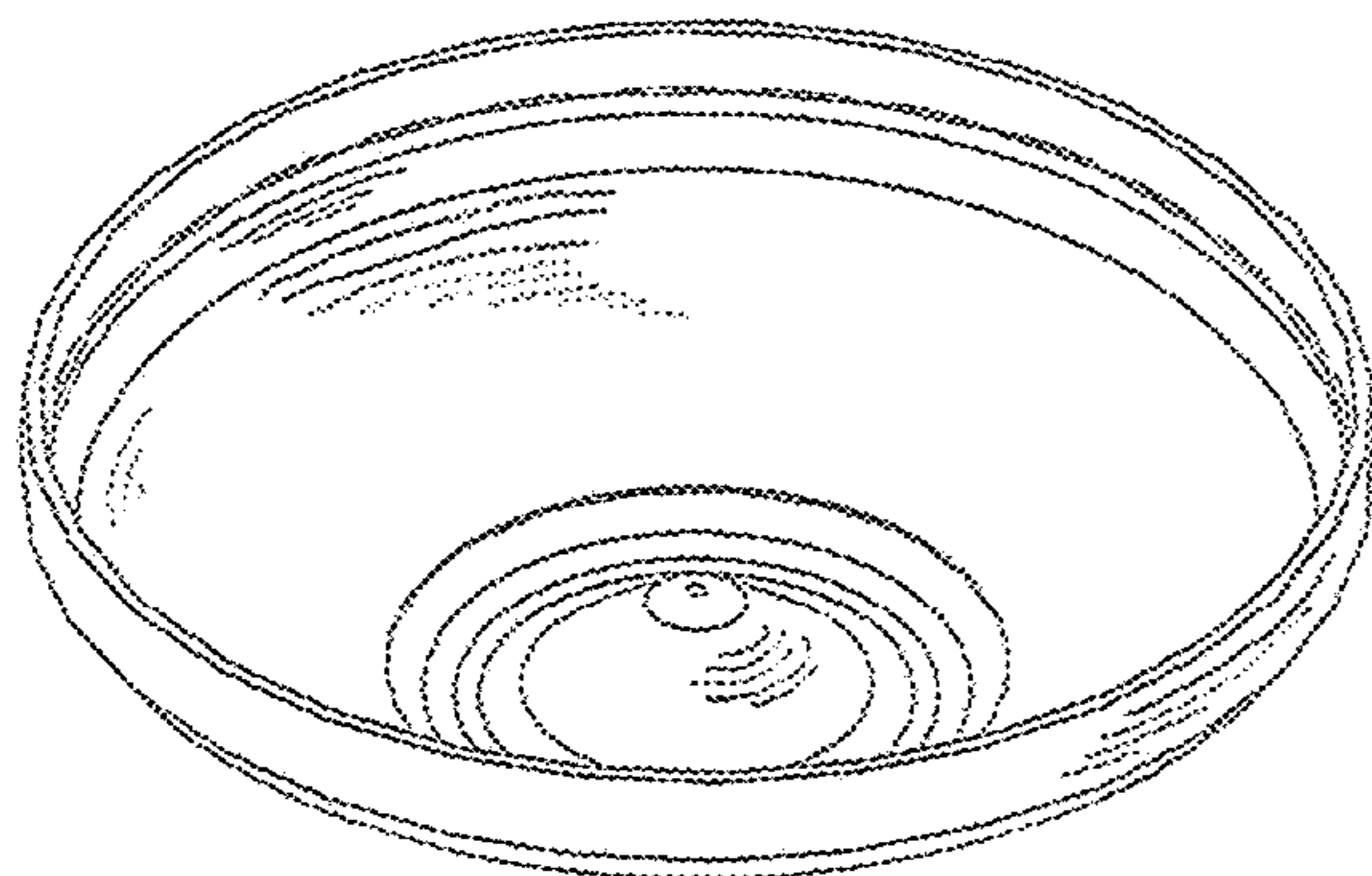
(57) **CLAIM**

The ornamental design for a poultry feeder pan with a pivotable drop down center cone, as shown and described.

DESCRIPTION

FIG. 1 is a perspective view of a poultry feeder pan with a pivotable drop down center cone;
FIG. 2 is a top view thereof;
FIG. 3 is a side view thereof, the opposite side view being a mirror image;
FIG. 4 is a section view thereof, taken on line 4-4 of FIG. 2; and,
FIG. 5 is a section view, similar to FIG. 4, but with the pivotal center cone dropped down to remove excess feed.

1 Claim, 2 Drawing Sheets



(56)

References Cited

U.S. PATENT DOCUMENTS

5,406,907 A *	4/1995	Hart	A01K 39/0125	119/53	9,247,718 B2 *	2/2016	Pickens	A01K 39/0125
5,462,017 A *	10/1995	Pollock	A01K 39/0125	119/57.4	9,713,320 B2 *	7/2017	Septien Prieto	...	A01K 39/0125
5,718,187 A *	2/1998	Pollock	A01K 39/0125	119/52.4	D832,529 S *	10/2018	Elliott	D30/129
5,724,912 A *	3/1998	Cull	A01K 39/0125	119/57.2	10,517,277 B2 *	12/2019	Giordano	A01K 39/014
5,941,193 A *	8/1999	Cole	A01K 39/0125	119/57.4	D872,950 S *	1/2020	Reissig	D30/129
6,050,220 A	4/2000	Kimmel et al.				2003/0056730 A1 *	3/2003	Corti	A01K 39/0125
6,470,826 B2 *	10/2002	Thuline	A01K 39/0125	119/52.4	2007/0215056 A1 *	9/2007	Kreger	A01K 39/0213
6,640,745 B1 *	11/2003	Park	A01K 39/012	119/52.2	2008/0257270 A1 *	10/2008	Slankard	A01K 39/0125
6,655,317 B1 *	12/2003	Stuedler, Jr.	A01K 39/0125	119/53	2010/0192863 A1 *	8/2010	Van de Ven	A01K 39/0125
7,647,888 B2 *	1/2010	Slankard	A01K 39/0125	119/52.4	2011/0094447 A1 *	4/2011	Keirse	A01K 39/014
D623,806 S *	9/2010	Modi	D30/129		2012/0199077 A1 *	8/2012	Cottam	A01K 39/0125
8,074,601 B2 *	12/2011	Van de Ven	A01K 39/014	119/52.1	2013/0036976 A1 *	2/2013	Pickens	A01K 39/0125
8,347,816 B2 *	1/2013	Keirse	A01K 39/0125	119/52.1	2013/0139755 A1 *	6/2013	Stuedler, Jr.	A01K 39/0125
D705,500 S *	5/2014	Gambino	D30/129		2013/0139758 A1 *	6/2013	Stuedler, Jr.	A01K 39/0125
8,904,958 B2 *	12/2014	Keirse	A01K 39/0125	119/51.01	2015/0090185 A1 *	4/2015	Pickens	A01K 39/0125
8,915,214 B2 *	12/2014	Pickens	A01K 39/0125	119/53	2016/0021853 A1 *	1/2016	Septien Prieto	...	A01K 39/0125
						2016/0095300 A1 *	4/2016	Stuedler, Jr.	A01K 5/0208
						2017/0245475 A1 *	8/2017	Dhumal	A01K 39/0125
						2017/0258053 A1 *	9/2017	Teh	H04B 7/18589
						2019/0014751 A1 *	1/2019	Loo	A01K 39/0125

* cited by examiner

FIG. 1.

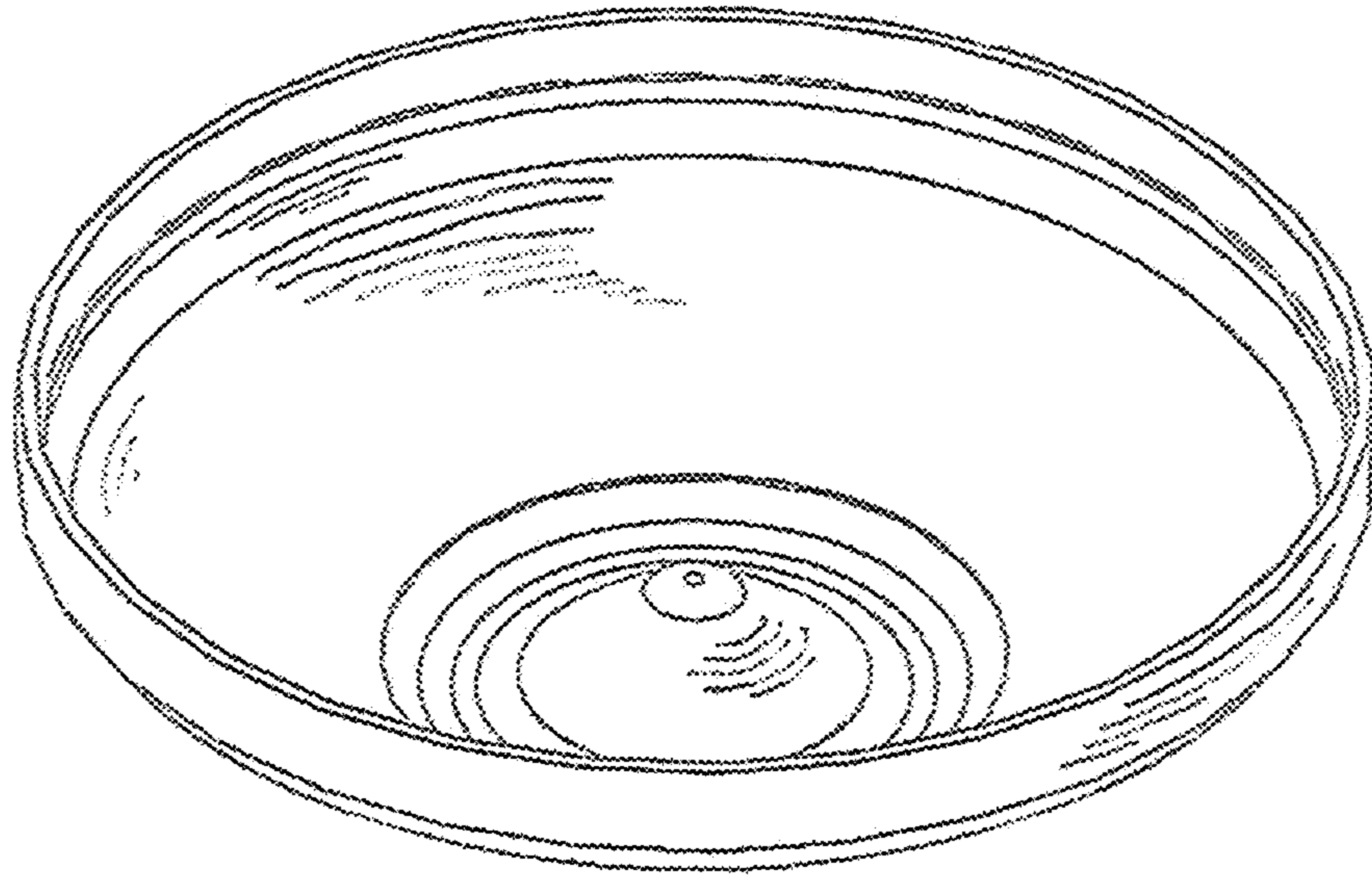


FIG. 2.

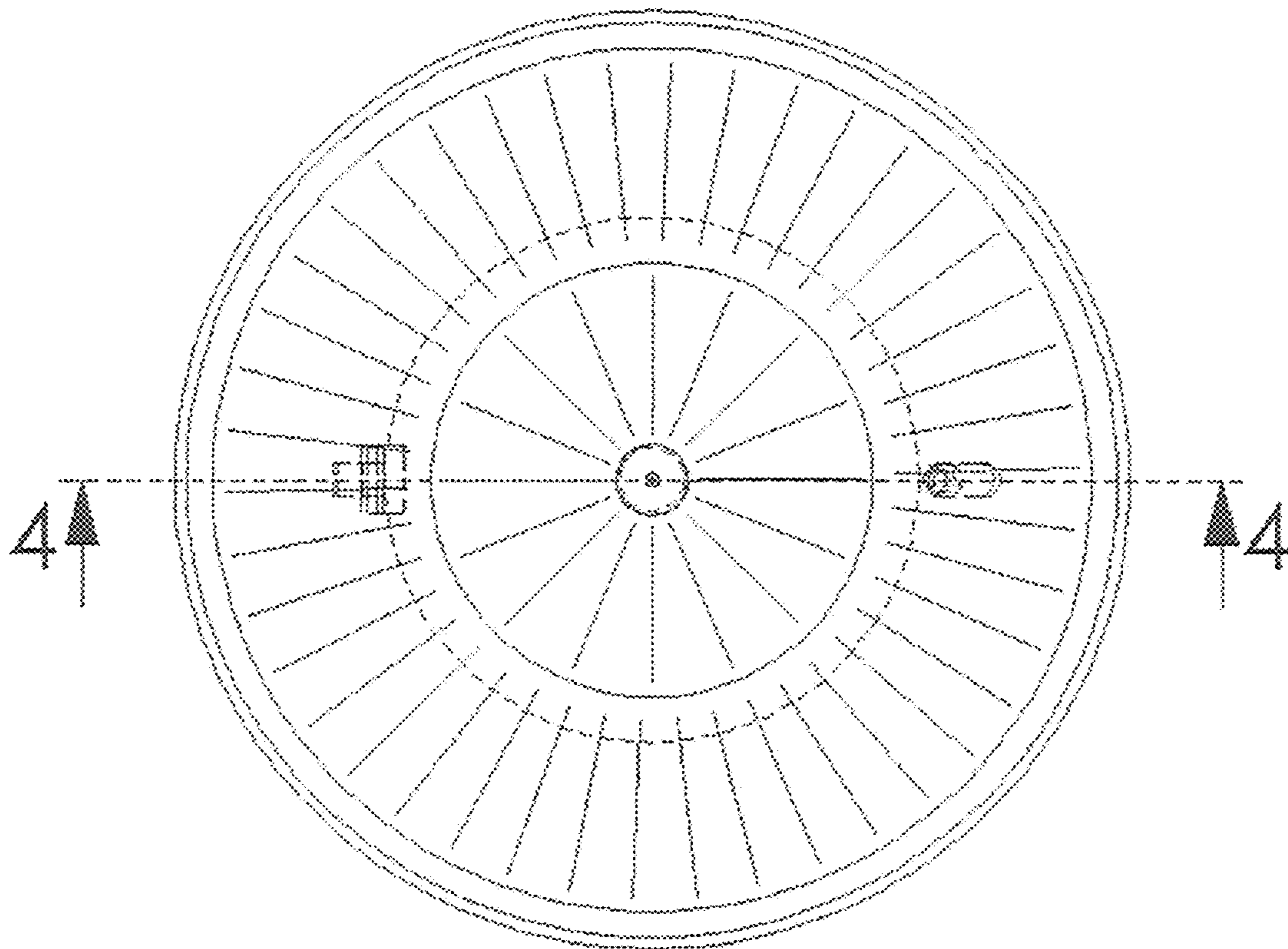


FIG. 3.

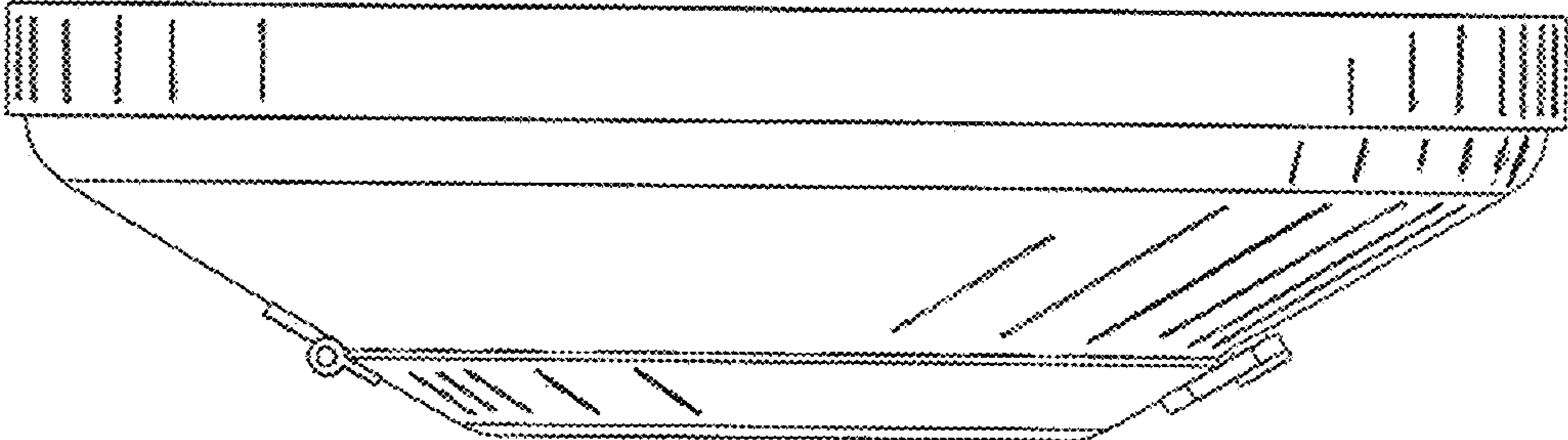


FIG. 4.

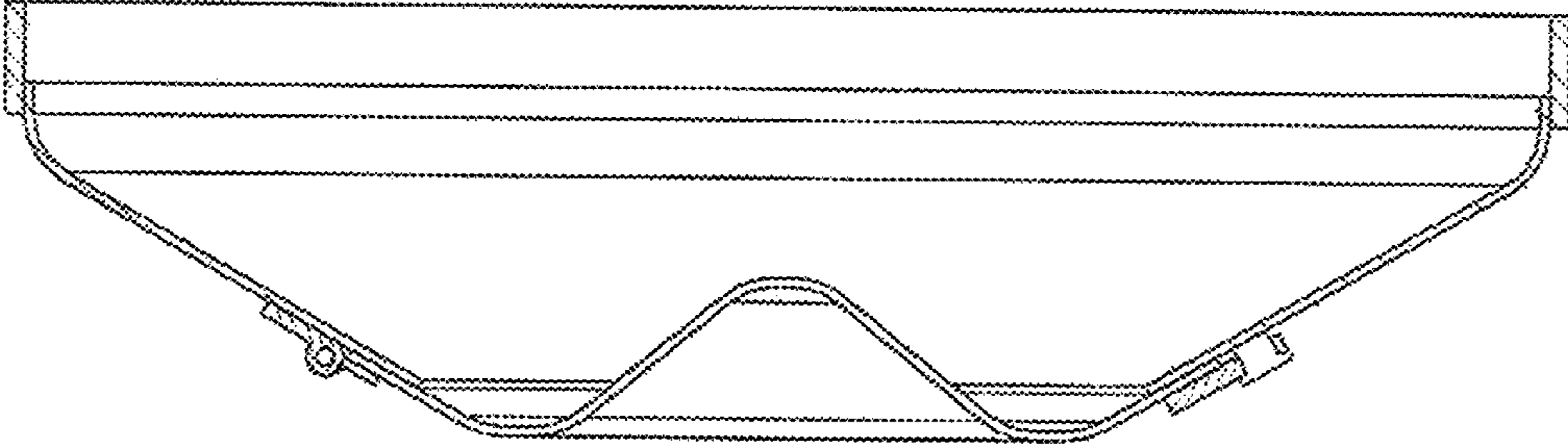


FIG. 5.

