



US00D890443S

(12) **United States Design Patent** (10) **Patent No.:** **US D890,443 S**  
**Virus** (45) **Date of Patent:** **\*\* Jul. 14, 2020**

(54) **FEED BUCKET LID**

(71) Applicant: **Kimberly Ann Virus**, Omaha, NE (US)

(72) Inventor: **Kimberly Ann Virus**, Omaha, NE (US)

(\*\*) Term: **15 Years**

(21) Appl. No.: **29/608,958**

(22) Filed: **Jun. 27, 2017**

(51) **LOC (12) Cl.** ..... **30-03**

(52) **U.S. Cl.**  
USPC ..... **D30/121**

(58) **Field of Classification Search**

USPC ..... D30/121, 129-133, 199, 104-107;  
119/51.01, 61, 51.04, 53, 57.91, 54, 53.5,  
119/52.4, 51.11, 63, 61.2, 52.1, 57.5,  
119/57.6, 51.13, 62, 75, 500, 501, 521,  
119/57.92, 59, 51.12, 57.1, 56.1, 57, 66,  
119/900; D9/436, 444, 447, 435, 452,  
D9/445, 454, 434, 453, 448, 438,  
D9/423-430, 414-418, 500-505,  
D9/516-521, 549, 558, 530, 715, 716,  
D9/724, 529, 538; D7/400, 507-511,  
D7/523, 601-608, 612, 615, 629, 630,  
D7/538-542; 4/585; D23/261, 260, 304,  
D23/308; D32/53, 53.1, 54; 222/520,  
222/521, 212; 206/541, 216, 518, 557,  
(Continued)

(56) **References Cited**

**U.S. PATENT DOCUMENTS**

37,262 A \* 12/1862 Wait ..... A01K 5/0142  
119/66  
494,428 A \* 3/1893 Leonard ..... A01K 5/008  
119/65

(Continued)

*Primary Examiner* — Susan Moon Lee

(74) *Attorney, Agent, or Firm* — Mallory M. Henninger;  
Advent, LLP

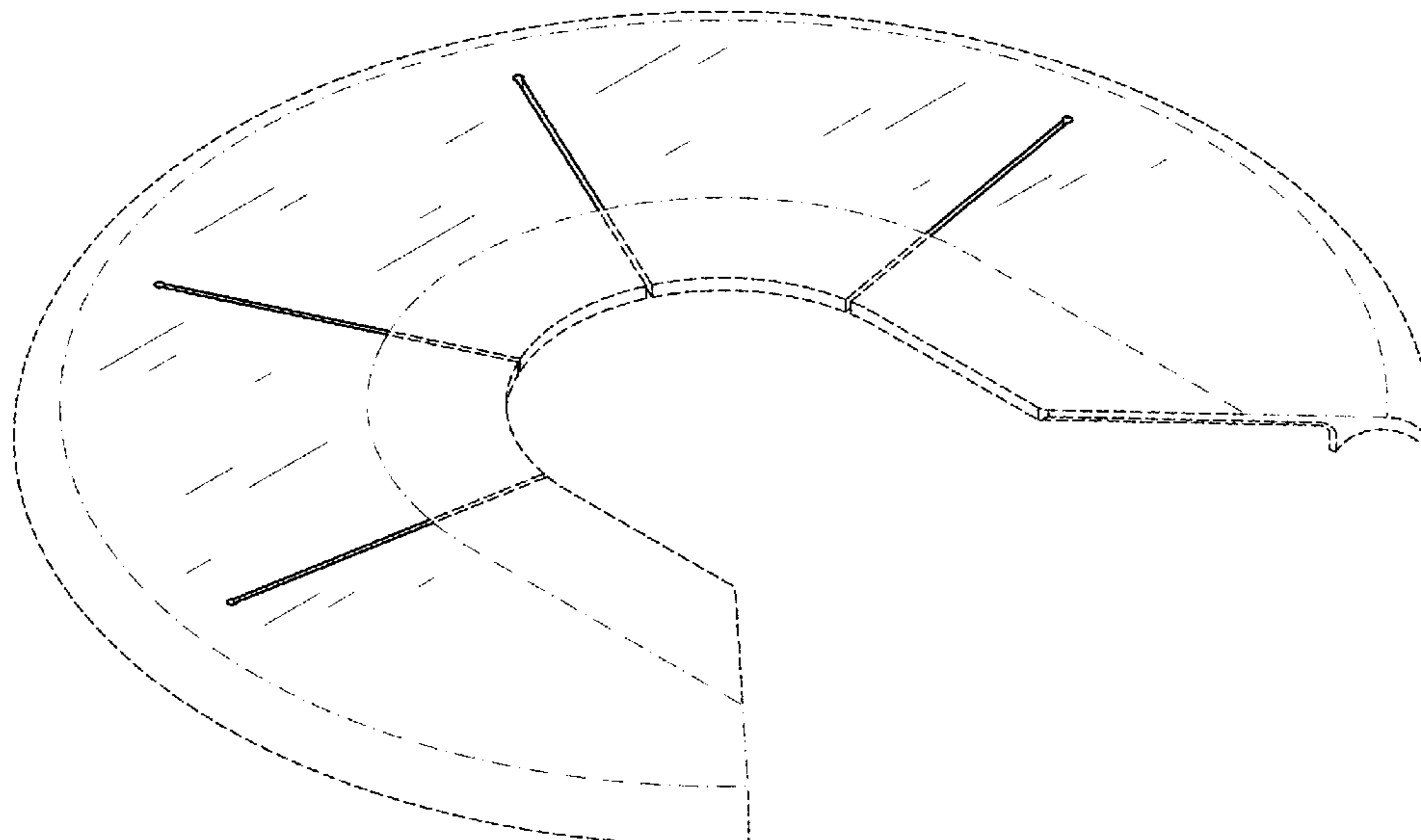
(57) **CLAIM**

The ornamental design for a feed bucket lid, as shown and described.

**DESCRIPTION**

FIG. 1 is a top plan view of a feed bucket lid.  
FIG. 2 is a bottom view of the feed bucket lid of FIG. 1.  
FIG. 3 is a front elevation view of the feed bucket lid of FIG. 1.  
FIG. 4 is a rear elevation view of the feed bucket lid of FIG. 1.  
FIG. 5 is a left side elevation view of the feed bucket lid of FIG. 1.  
FIG. 6 is a right side elevation view of the feed bucket lid of FIG. 1.  
FIG. 7 is an isometric view of the feed bucket lid of FIG. 1.  
FIG. 8 is another isometric view of the feed bucket lid of FIG. 1.  
FIG. 9 is a top plan view of a feed bucket lid.  
FIG. 10 is a bottom view of the feed bucket lid of FIG. 9.  
FIG. 11 is a front elevation view of the feed bucket lid of FIG. 9.  
FIG. 12 is a rear elevation view of the feed bucket lid of FIG. 9.  
FIG. 13 is a left side elevation view of the feed bucket lid of FIG. 9.  
FIG. 14 is a right side elevation view of the feed bucket lid of FIG. 9.  
FIG. 15 is an isometric view of the feed bucket lid of FIG. 9; and,  
FIG. 16 is another isometric view of the feed bucket lid of FIG. 9.  
The broken and boundary lines depict unclaimed features of the feed bucket lid, shown for purposes of illustration that form no part of the claimed design.

**1 Claim, 16 Drawing Sheets**



(58) **Field of Classification Search**

USPC ..... 206/139, 144, 146, 192, 205, 217, 223,  
 206/542, 543, 544, 545, 547, 242, 1.7,  
 206/427, 446, 493, 499, 501, 503-508,  
 206/514, 515, 519, 520, 558, 560, 563,  
 206/564, 567, 524.1, 524.3, 524.4, 524.6,  
 206/524.8, 525, 527, 804, 813, 820, 821,  
 206/822, 823; 229/406, 407, 902-904,  
 229/938, 87.08; D11/152; 426/106;  
 15/260-264; 215/200, 260, 261;  
 220/674, 675, 556, 699, 4.23, 755, 760,  
 220/764, 780-806, 200, 716, 258.2,  
 220/257.1, 574-575, 578-580, 495.01,  
 220/485.02, 23.83, 23.86, 23.87, 23.88,  
 220/23.89, 500-507, 528, 526, 212,  
 220/212.5, 216, 254.1, 255, 287, 309.1,  
 220/360, 376-380, 62.11-62.15, 639,  
 220/694, 696, 700-703, 711, 719, 730,  
 220/731, 737-742, 744, 890, 718, 722  
 CPC ..... A01K 5/0225; A01K 5/00; A01K 5/02;  
 A01K 5/01; A01K 5/0291; A01K 5/0266;  
 A01K 5/0275; A01K 5/0283; A01K  
 39/00; A01K 39/01; A01K 39/0113;  
 A01K 39/012; A01K 39/0125; A01K  
 39/014; B65D 1/12-16; B65D 1/00;  
 B65D 1/26; B65D 1/265; B65D 11/00;  
 B65D 11/06; B65D 21/00; B65D 21/02;  
 B65D 21/0209; B65D 21/0233; B65D  
 21/022; B65D 21/0234; B65D 25/00;  
 B65D 25/34; B65D 23/00; B65D 37/00;  
 B65D 43/00; B65D 43/02; B65D 43/08;  
 B65D 65/02; B65D 69/00; B65D  
 81/3205; B65D 81/00; B65D 88/00;  
 B65D 88/02; B65D 88/025; B65D  
 88/126; B65D 90/00; B65D 90/004;  
 B65D 90/0046; B65D 2251/00; B65D  
 2501/24859; B65D 2501/00; B65D  
 2501/0009; B65D 2543/0009; B65D  
 2543/00027; B65D 2543/00092; B65D  
 2543/00342; B65D 2543/00444; B65D  
 2543/00981; B65D 2590/0066; B65D  
 85/804-8046; B68B 1/02; B68B 1/04;  
 B68B 5/00; B68B 5/06; Y10S 119/90;  
 A47G 19/2216; A47G 19/2211

See application file for complete search history.

(56) **References Cited**

U.S. PATENT DOCUMENTS

771,741 A \* 10/1904 McManus ..... A01K 5/0142  
 119/66  
 1,435,404 A \* 11/1922 Lloyd ..... A01K 5/01  
 119/61.1  
 1,583,568 A \* 5/1926 Berkowitz ..... D21H 21/16  
 156/76  
 2,226,146 A \* 12/1940 Smith ..... A47G 19/2211  
 220/718  
 2,240,647 A \* 5/1941 Hartman ..... B65D 1/48  
 220/718  
 2,491,014 A \* 12/1949 Parker ..... A01K 39/02  
 119/72  
 2,494,809 A \* 1/1950 Henning ..... A01K 39/02  
 119/72  
 2,600,479 A \* 6/1952 Campomar ..... A47G 19/2211  
 220/705

3,036,554 A \* 5/1962 Johnson ..... A01K 13/006  
 119/815  
 3,072,098 A \* 1/1963 Boemle ..... A01K 13/006  
 119/821  
 3,313,447 A \* 4/1967 Spencer ..... B65D 1/265  
 220/719  
 3,360,160 A \* 12/1967 Spencer ..... A47G 19/2211  
 220/719  
 4,200,057 A \* 4/1980 Agar ..... A01K 15/006  
 119/815  
 4,366,914 A \* 1/1983 Ingram ..... A47G 19/2211  
 210/469  
 4,413,588 A \* 11/1983 Lindholm ..... A01K 15/04  
 119/760  
 5,000,338 A \* 3/1991 Wolman ..... B65D 25/50  
 220/718  
 5,012,764 A \* 5/1991 Fick ..... A01K 13/006  
 119/821  
 5,211,474 A \* 5/1993 Leitner ..... F21V 1/26  
 362/351  
 5,349,927 A \* 9/1994 Campbell ..... A01K 13/006  
 119/815  
 5,553,731 A \* 9/1996 Schuyler ..... A47G 19/2272  
 220/713  
 5,797,354 A \* 8/1998 Marschall ..... A61D 9/00  
 119/815  
 6,463,887 B1 \* 10/2002 Thomas ..... A01K 15/04  
 119/815  
 D506,296 S \* 6/2005 Driver ..... 119/815  
 D622,011 S \* 8/2010 Yowell ..... D30/129  
 D632,851 S \* 2/2011 Maroney ..... D30/145  
 D647,669 S \* 10/2011 Martinez ..... D30/145  
 8,042,494 B2 \* 10/2011 Markfield ..... A61D 9/00  
 119/815  
 8,181,609 B2 \* 5/2012 Ohashi ..... A01K 13/006  
 119/815  
 D664,721 S \* 7/2012 Martinez ..... D30/145  
 D673,739 S \* 1/2013 Herrera ..... D30/145  
 8,353,260 B1 \* 1/2013 Wenstrand ..... A01K 5/01  
 119/650  
 8,444,004 B1 \* 5/2013 Draganic ..... A47G 19/2205  
 220/711  
 D694,790 S \* 12/2013 Matsumoto ..... D15/138  
 D694,791 S \* 12/2013 Matsumoto ..... D15/138  
 D697,038 S \* 1/2014 Matsumoto ..... D13/182  
 D703,393 S \* 4/2014 Henley ..... D30/129  
 D705,502 S \* 5/2014 Markfield ..... D30/145  
 8,739,741 B2 \* 6/2014 Groff ..... A61D 9/00  
 119/815  
 D734,899 S \* 7/2015 Martinez ..... D30/144  
 D762,017 S \* 7/2016 Tsengas ..... D30/121  
 9,439,394 B2 \* 9/2016 Tharp ..... A01K 5/01  
 9,585,365 B1 \* 3/2017 Gibson ..... A01K 13/006  
 D785,129 S \* 4/2017 Humphreys, Jr. .... D22/136  
 D814,123 S \* 3/2018 Chang ..... D30/121  
 D819,897 S \* 6/2018 Felton ..... D30/131  
 D844,260 S \* 3/2019 Cai ..... D30/152  
 10,357,120 B2 \* 7/2019 Abbey ..... A01K 5/0107  
 2003/0230244 A1 \* 12/2003 Morrison ..... A01K 5/0114  
 119/61.54  
 2005/0092258 A1 \* 5/2005 Markham ..... A01K 15/025  
 119/707  
 2009/0000569 A1 \* 1/2009 Behraves ..... A01K 13/006  
 119/815  
 2011/0277701 A1 \* 11/2011 King ..... A01K 13/006  
 119/815  
 2012/0325163 A1 \* 12/2012 Markfield ..... A01K 13/006  
 119/855  
 2016/0029595 A1 \* 2/2016 Jarvis ..... A01K 15/02  
 119/719  
 2017/0325423 A1 \* 11/2017 McGrath ..... A01K 15/04  
 2018/0184619 A1 \* 7/2018 Sparks ..... A01K 15/04  
 2019/0168926 A1 \* 6/2019 Wortman ..... B65D 43/0208

\* cited by examiner



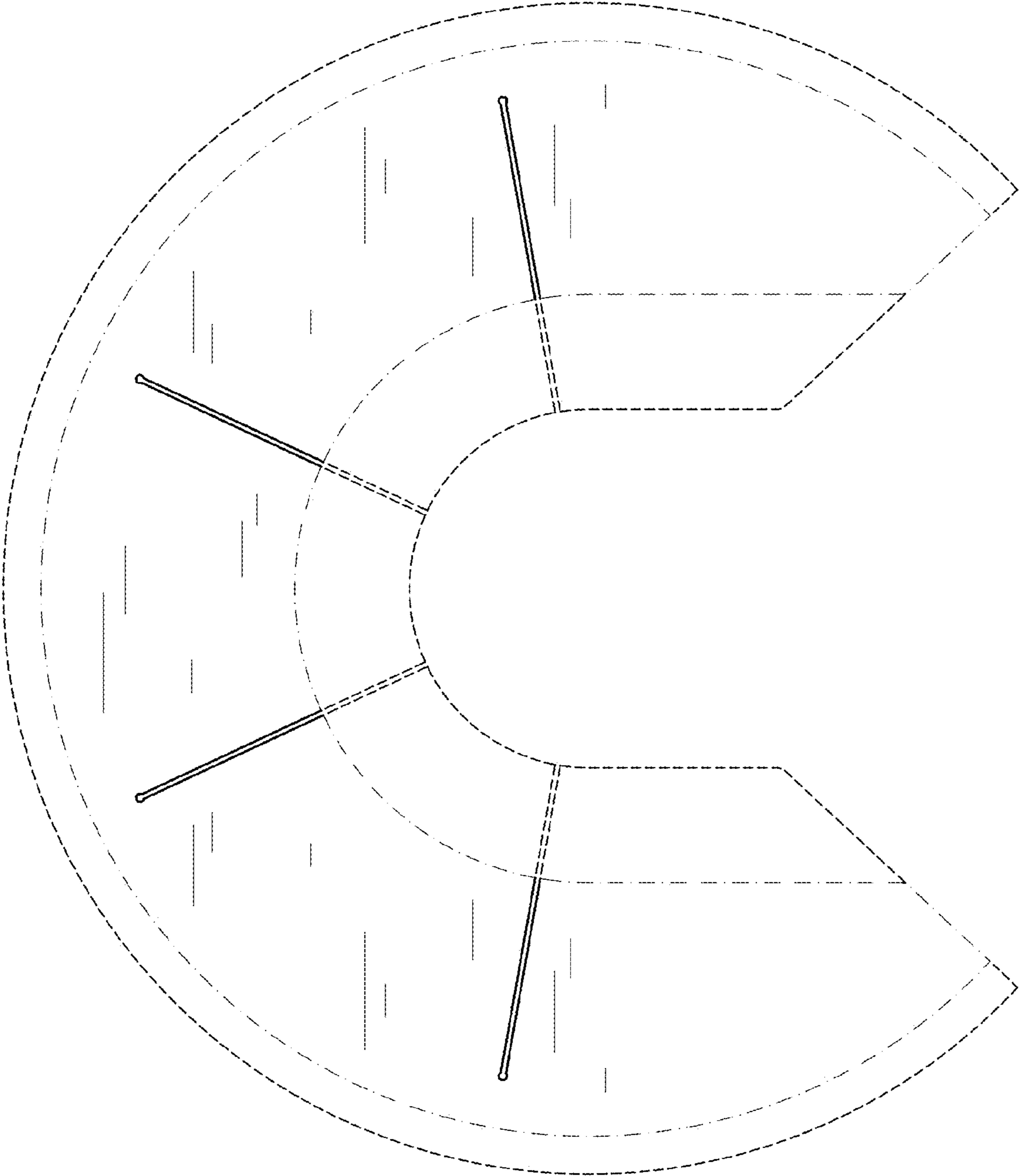


FIG. 1

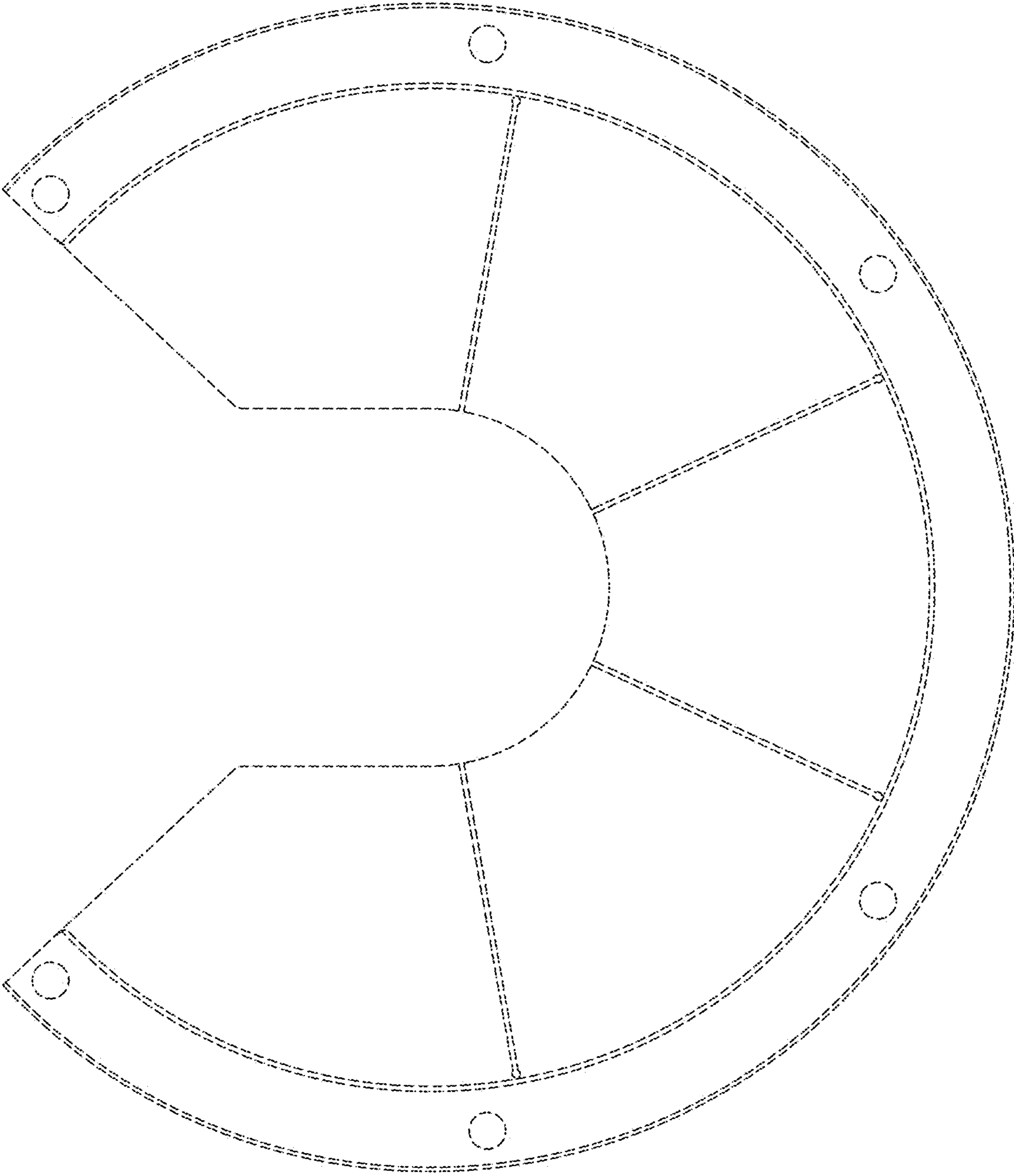


FIG. 2

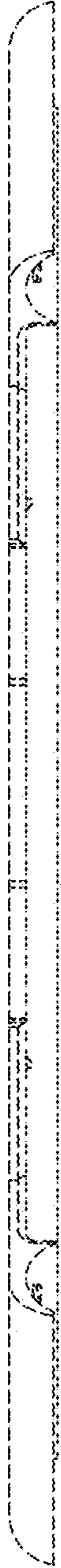
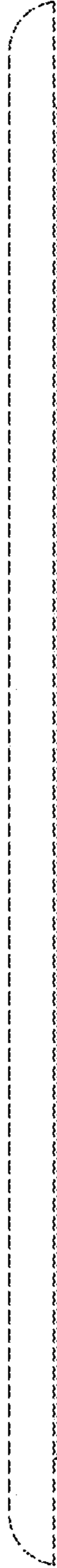
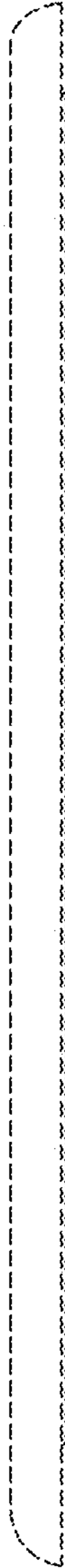


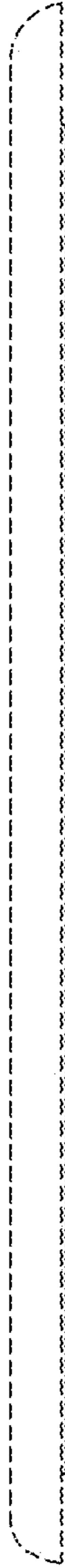
FIG. 3



**FIG. 4**



**FIG. 5**



**FIG. 6**



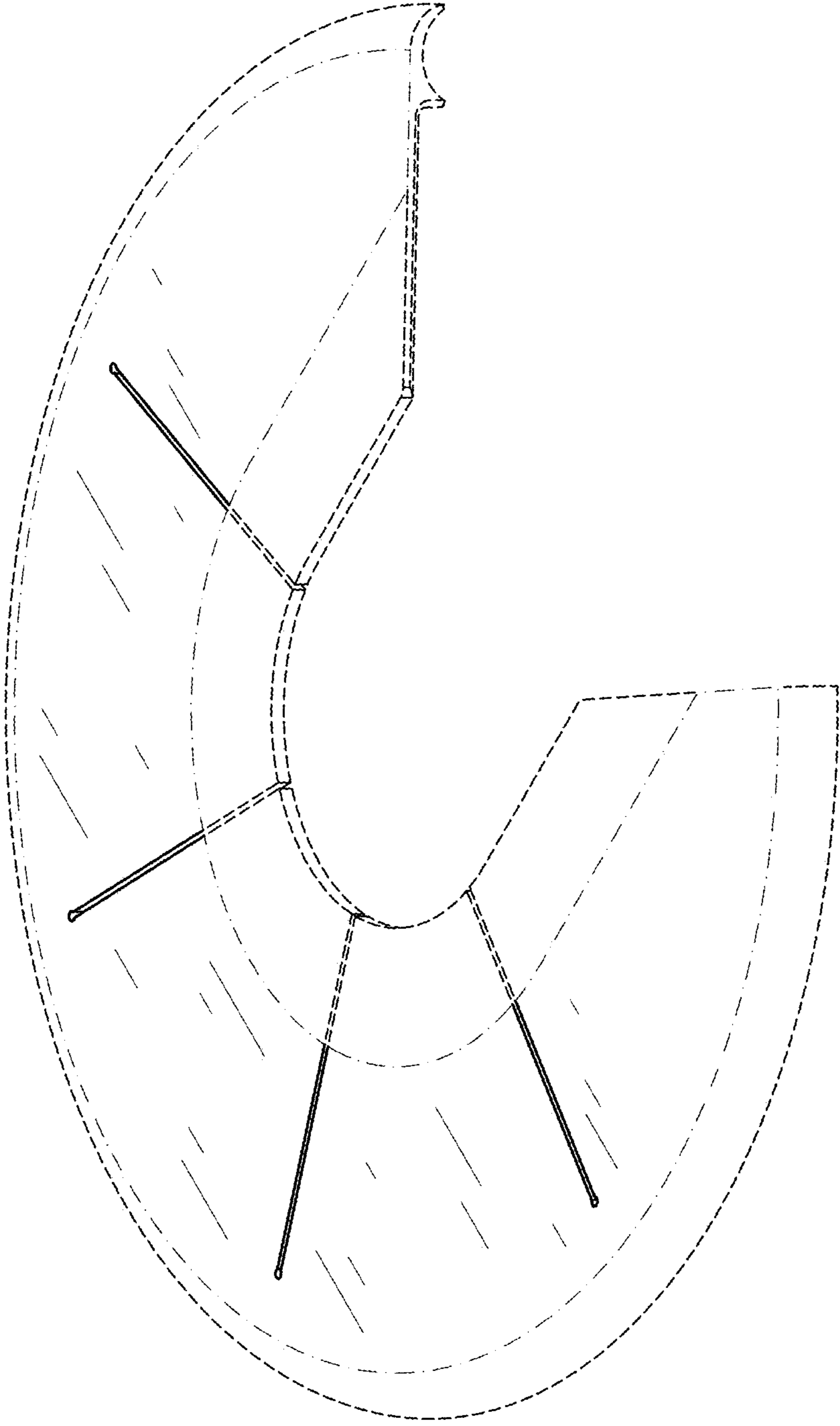


FIG. 7

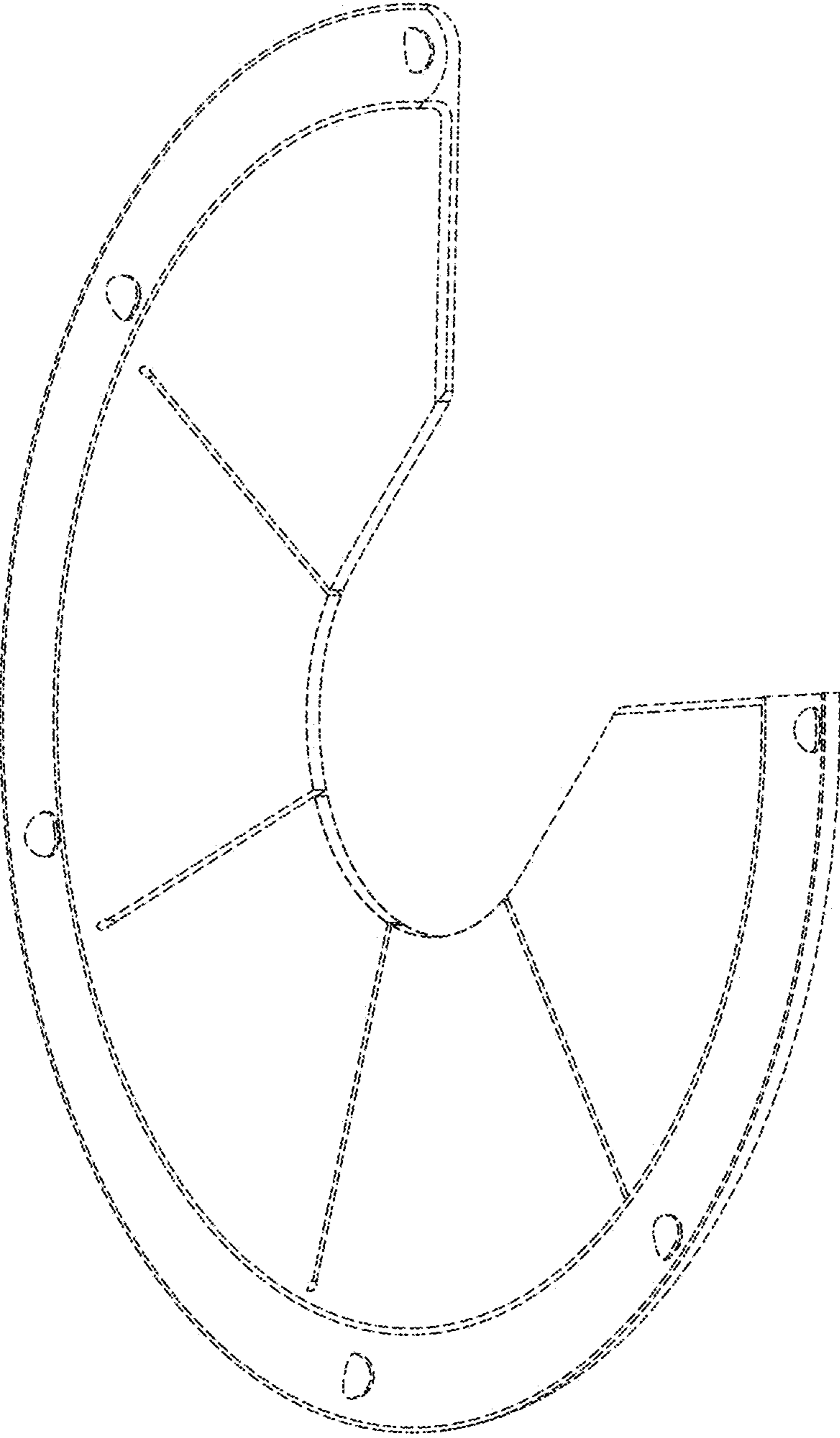


FIG. 8

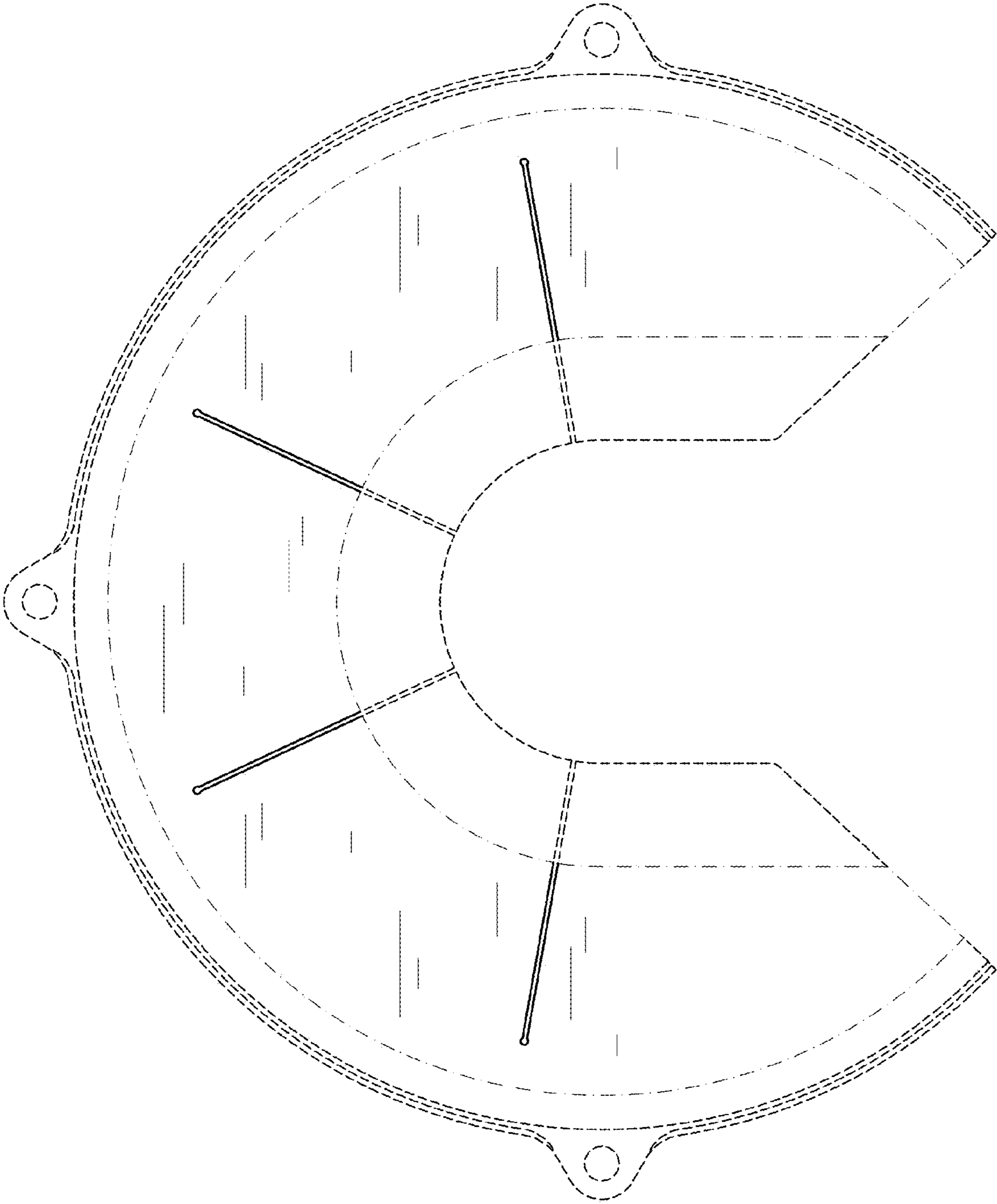


FIG. 9

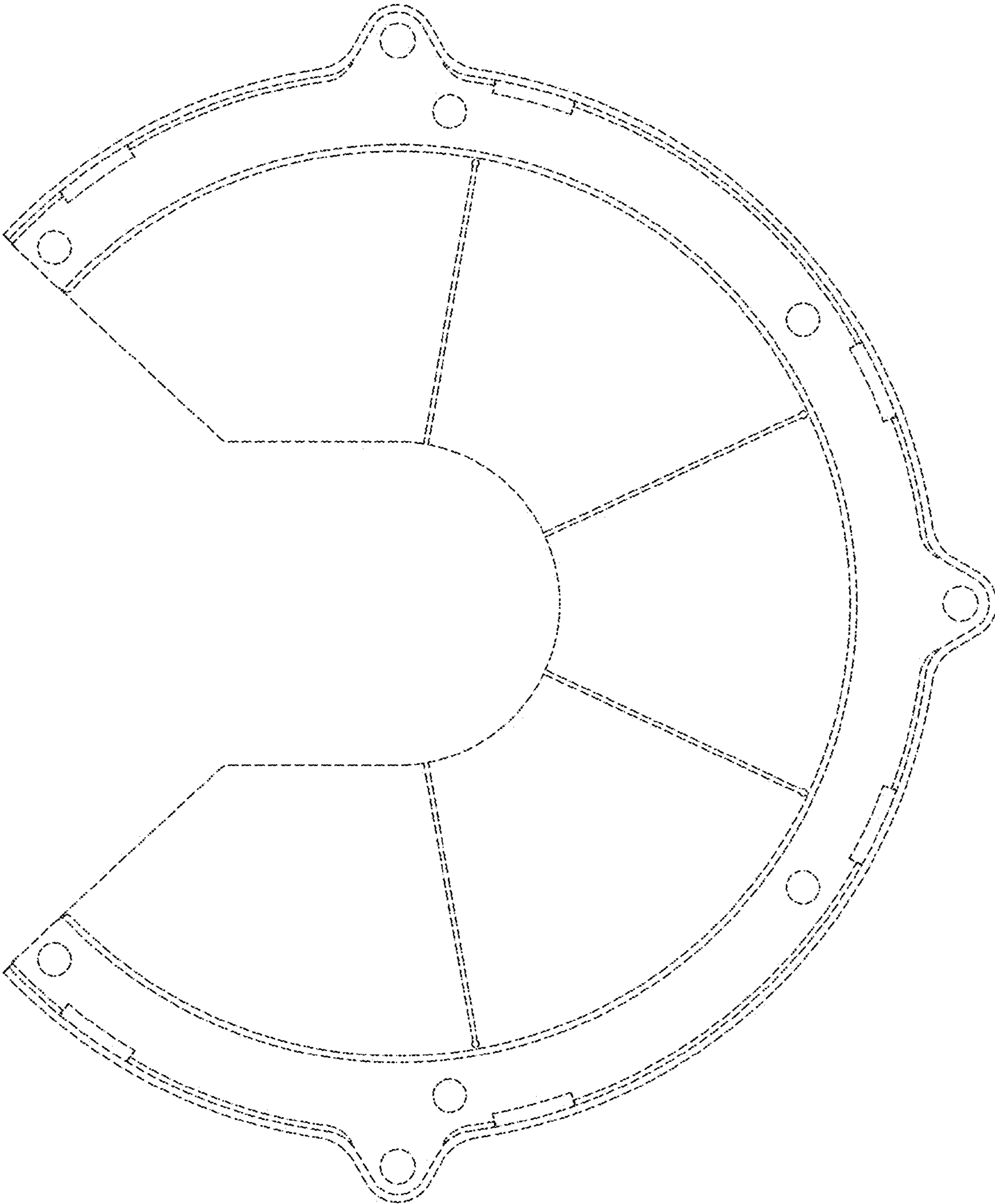


FIG. 10

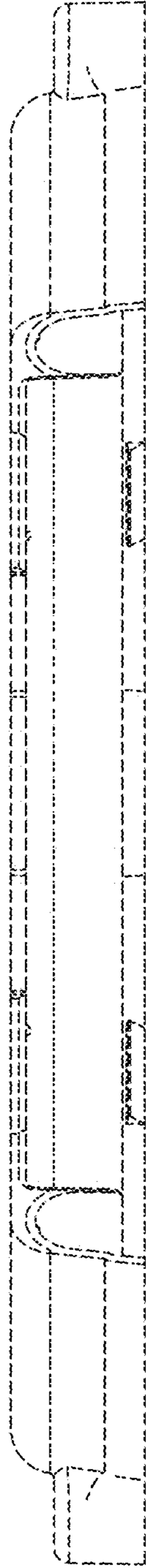


FIG. 11



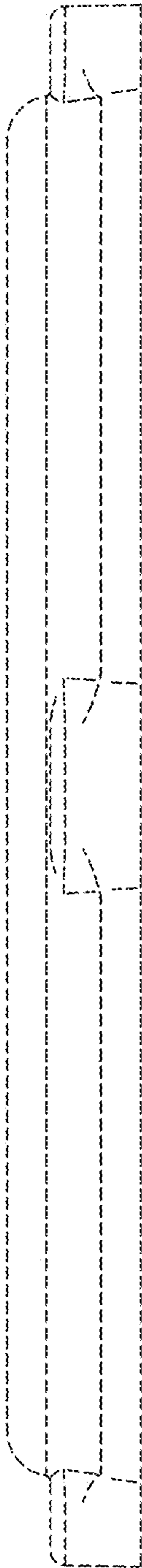
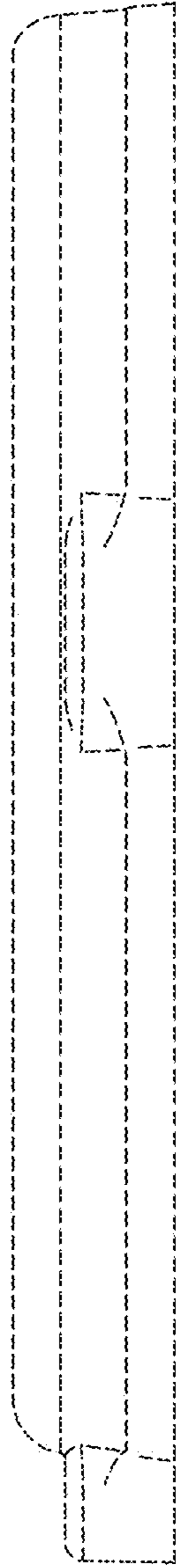
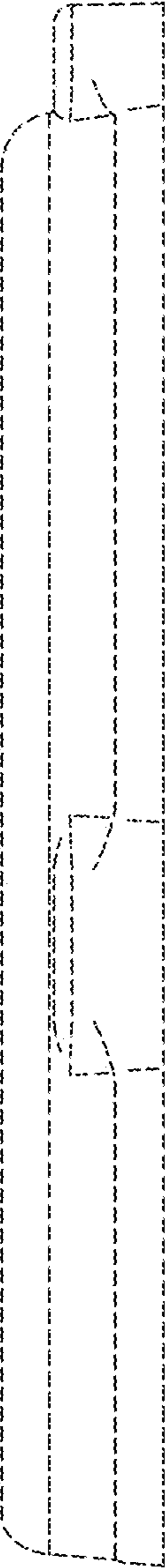


FIG. 12



**FIG. 13**



**FIG. 14**

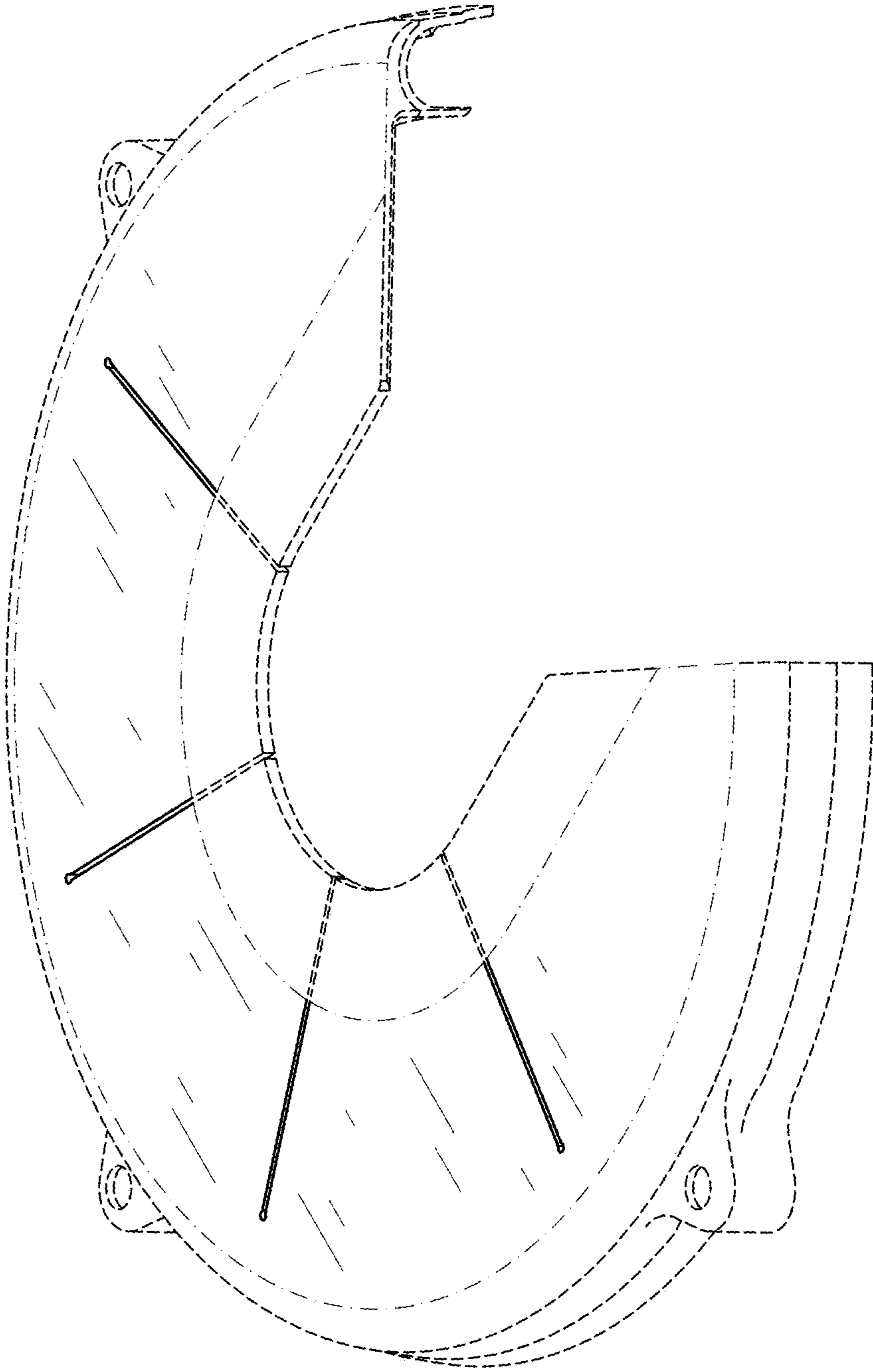


FIG. 15

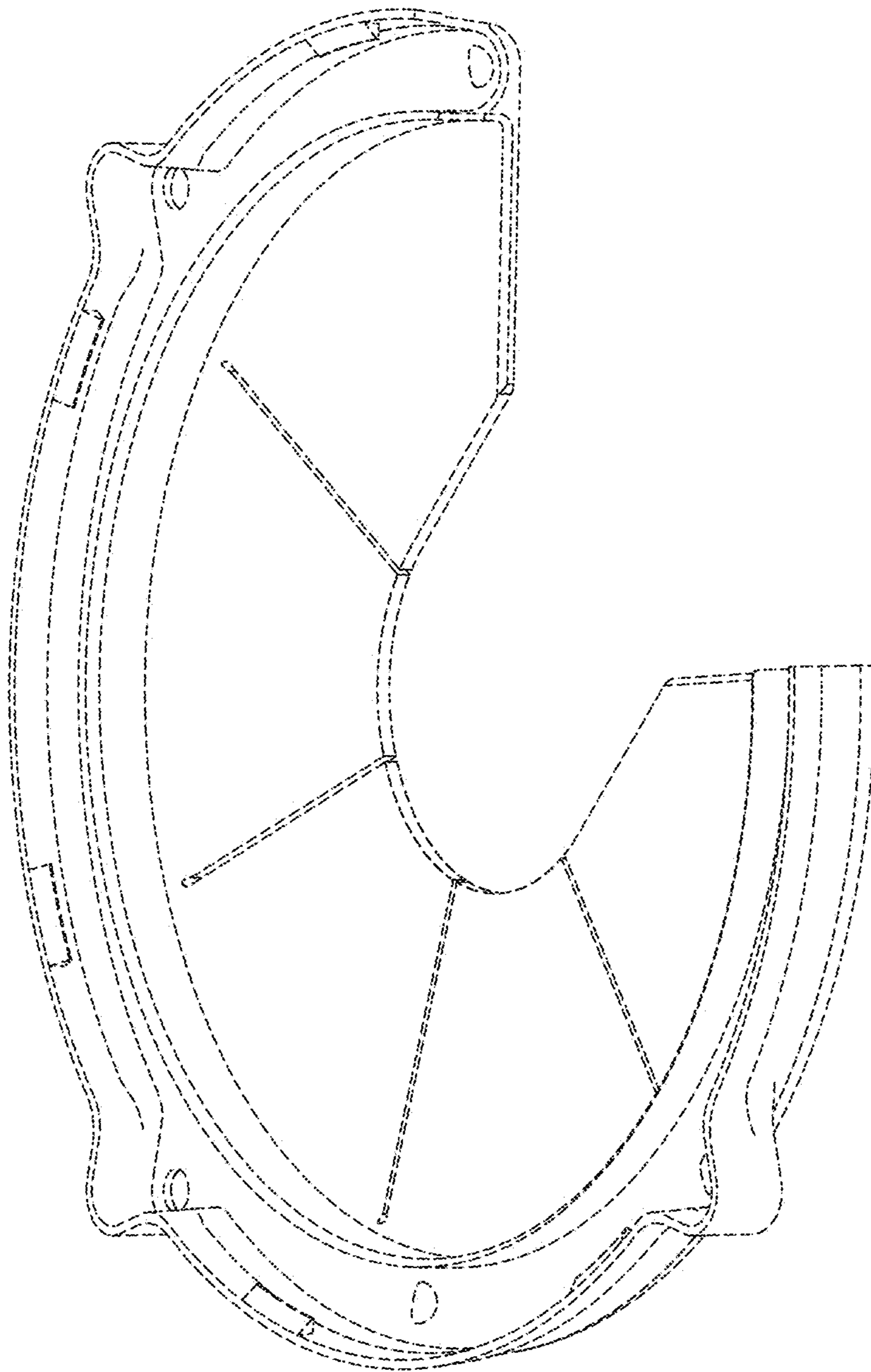


FIG. 16