



US00D890440S

(12) **United States Design Patent** (10) **Patent No.:** **US D890,440 S**
Wilson et al. (45) **Date of Patent:** **** Jul. 14, 2020**

(54) **USER INTERFACE WITH A LIGHT RING FOR A HEARING PROTECTION DEVICE**

OTHER PUBLICATIONS

(71) Applicant: **Honeywell International Inc.**, Morris Plains, NJ (US)

European Community Design Registration No. 004969509-0001, dated May 31, 2018, 6 pages.

(Continued)

(72) Inventors: **May Wilson**, Wokingham (GB); **Claes Haglund**, Odakra (SE); **Trym Holter**, Trondheim (NO); **Erik Pertot**, Trieste (IT); **Jie Zhu**, Shanghai (CN); **Weimin Zhou**, Shanghai (CN)

Primary Examiner — Elizabeth J Oswecki

(74) *Attorney, Agent, or Firm* — Alston & Bird LLP

(73) Assignee: **HONEYWELL INTERNATIONAL INC.**, Morris Plains, NJ (US)

(57) **CLAIM**

The ornamental design for a user interface with a light ring for a hearing protection device, as shown and described.

(**) Term: **15 Years**

DESCRIPTION

(21) Appl. No.: **29/640,307**

(22) Filed: **Mar. 13, 2018**

(51) **LOC (12) Cl.** **29-02**

(52) **U.S. Cl.**
USPC **D29/122; D29/112; D14/485**

(58) **Field of Classification Search**
USPC D29/108, 112, 122, 102, 103, 105, 106;
D14/485, 487, 205, 223; D2/865, 866,
D2/870, 878

CPC A42B 3/16; A42B 3/163; A42B 3/166;
A61F 11/06; A61F 11/08; A61F 11/10;
A61F 11/12; A61F 11/14; A61F
2011/085; H04R 1/10; H04R 1/1008;
H04R 1/1016; H04R 1/105; H04R
1/1058; H04R 1/1066; H04R 1/1075;
H04R 1/1083; H04R 5/0335;

(Continued)

(56) **References Cited**

U.S. PATENT DOCUMENTS

2,883,671 A * 4/1959 Hornickel A61F 11/14
2/209
3,051,961 A * 9/1962 Clark A61F 11/14
2/209

(Continued)

FIG. 1 is a perspective view of a user interface with a light ring for a hearing protection device, showing our new design in an unused condition not lighted;

FIG. 2 is a front view thereof, shown in a used condition with the first panel lighted;

FIG. 3 is another front view thereof, shown in a used condition with the first and second panels lighted;

FIG. 4 is another front view thereof, shown in a used condition with the first, second and third panels lighted;

FIG. 5 is another front view thereof, shown in a used condition with all four panels lighted;

FIG. 6 is another front view thereof, shown in a used condition with only the fourth panel lighted;

FIG. 7 is another front view thereof, shown in a used condition with the third and fourth panels lighted;

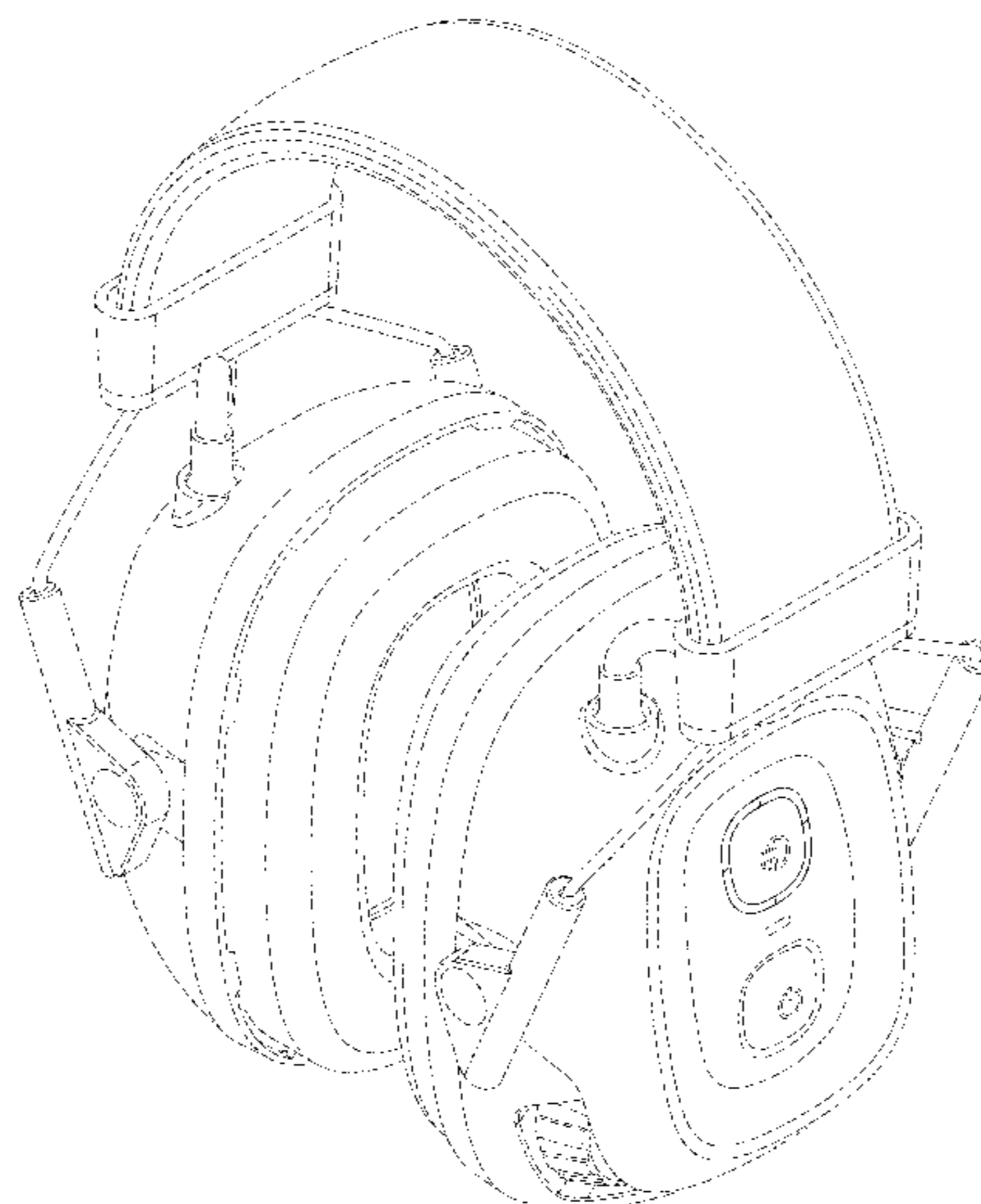
FIG. 8 is another front view thereof, shown in a used condition with the second and third panels lighted; and,

FIG. 9 is another front view thereof, shown in a used condition with the first and fourth panels lighted.

The broken lines shown in the drawings are only provided to illustrate the environment of the design, and form no part of the claimed design.

The stipple shaded areas represent the illuminated panels of the light ring.

1 Claim, 9 Drawing Sheets



(58) **Field of Classification Search**
 CPC . H04R 25/652; H04R 25/654; H04R 25/656;
 A63B 71/10
 See application file for complete search history.

(56) **References Cited**

U.S. PATENT DOCUMENTS

D411,200 S *	6/1999	Almqvist	D14/192
D413,413 S *	8/1999	Dillon	D14/205
D459,033 S *	6/2002	Dix	D29/112
D465,616 S *	11/2002	Nilsson	A61F 11/14 D29/112
D506,577 S *	6/2005	Emilsson	D29/122
D509,323 S *	9/2005	Emilsson	D29/112
D660,864 S *	5/2012	Anzures	D14/486
D726,743 S *	4/2015	Sands	D14/486
D733,183 S *	6/2015	Lee	D14/488
D735,419 S *	7/2015	Rose	D29/112
D736,475 S *	8/2015	Fletcher	D29/112
D764,717 S *	8/2016	Fletcher	D29/112

D766,520 S *	9/2016	Fletcher	D29/112
D789,615 S *	6/2017	Pratley	D29/112
D805,697 S *	12/2017	Pratley	D29/112
D807,584 S *	1/2018	Fletcher	D29/112
D821,653 S *	6/2018	Pratley	D29/112
D831,039 S *	10/2018	Amini	D14/485
D848,396 S *	5/2019	Wilson	D14/205
D848,679 S *	5/2019	Wilson	D29/112
D849,026 S *	5/2019	Anzures	D14/485
D856,594 S *	8/2019	Wilson	D29/112
D863,690 S *	10/2019	Chen	D29/112

OTHER PUBLICATIONS

China Patent Application No. 201830110096.6, filed Mar. 23, 2018, 17 pages.
 European Community Design Registration Application No. 004969509, filed Mar. 22, 2018, 9 pages.
 Design U.S. Appl. No. 29/618,811, filed Sep. 25, 2017, 11 pages.
 Design U.S. Appl. No. 29/647,556, filed May 14, 2018, 14 pages.

* cited by examiner

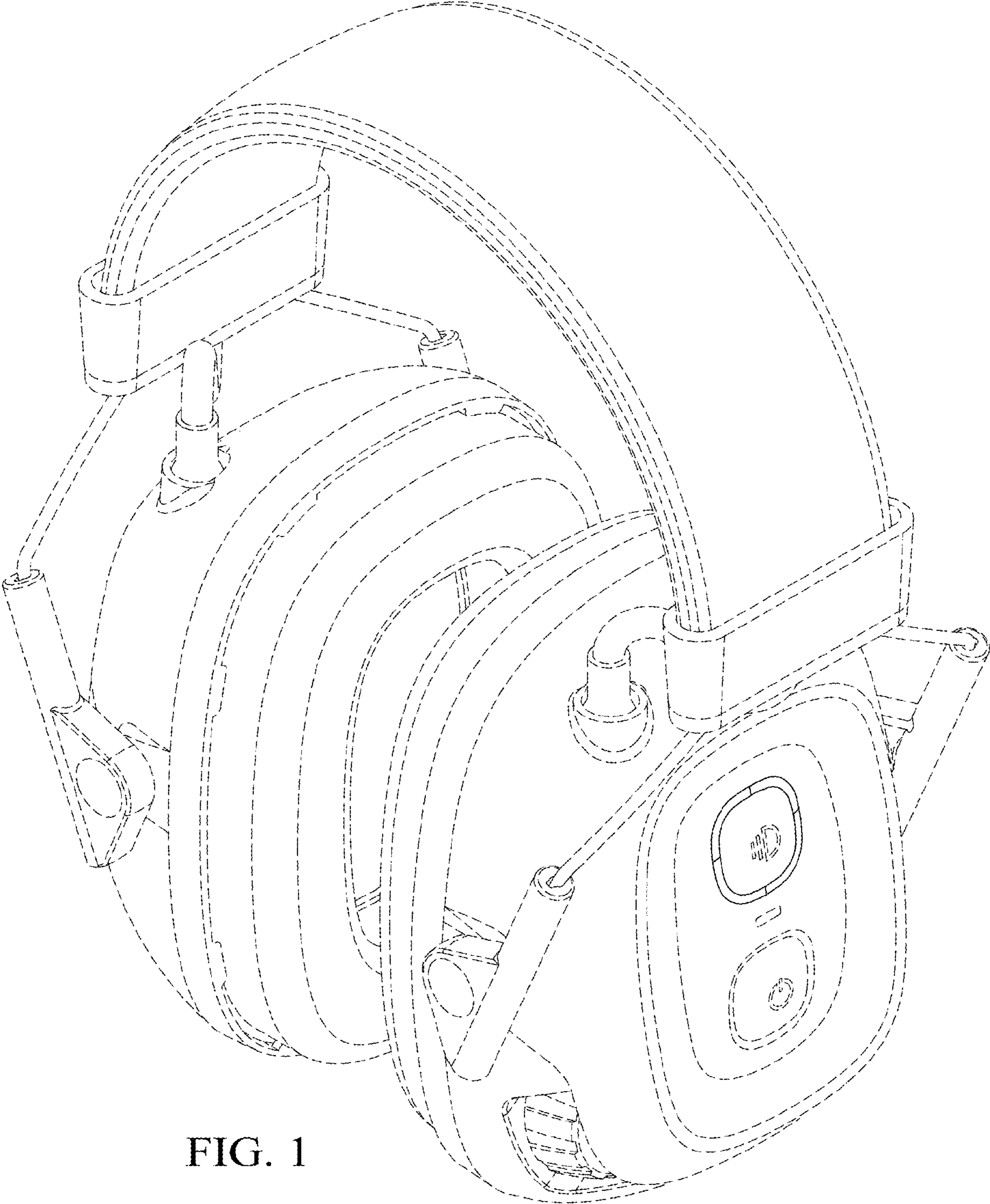


FIG. 1

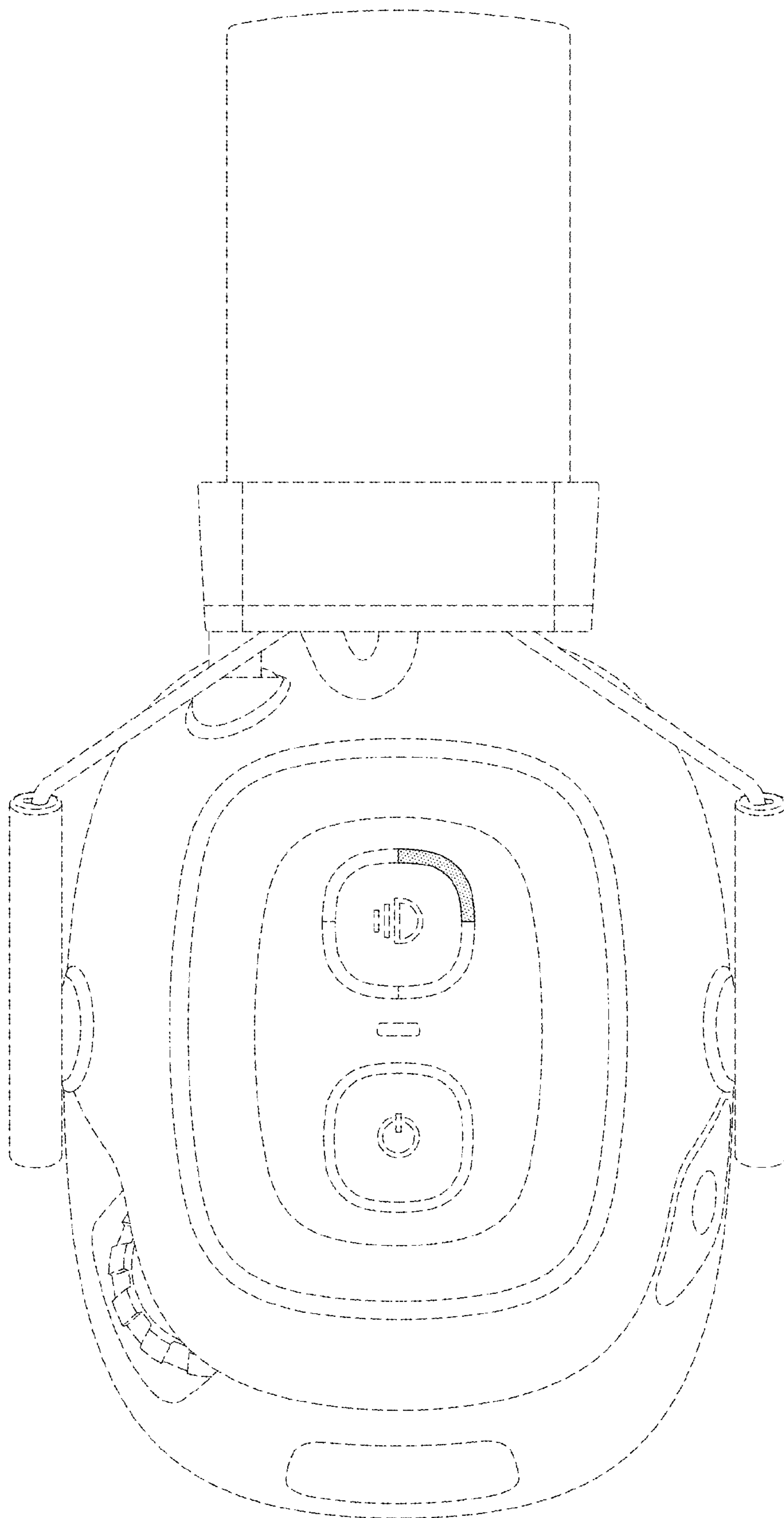


FIG. 2

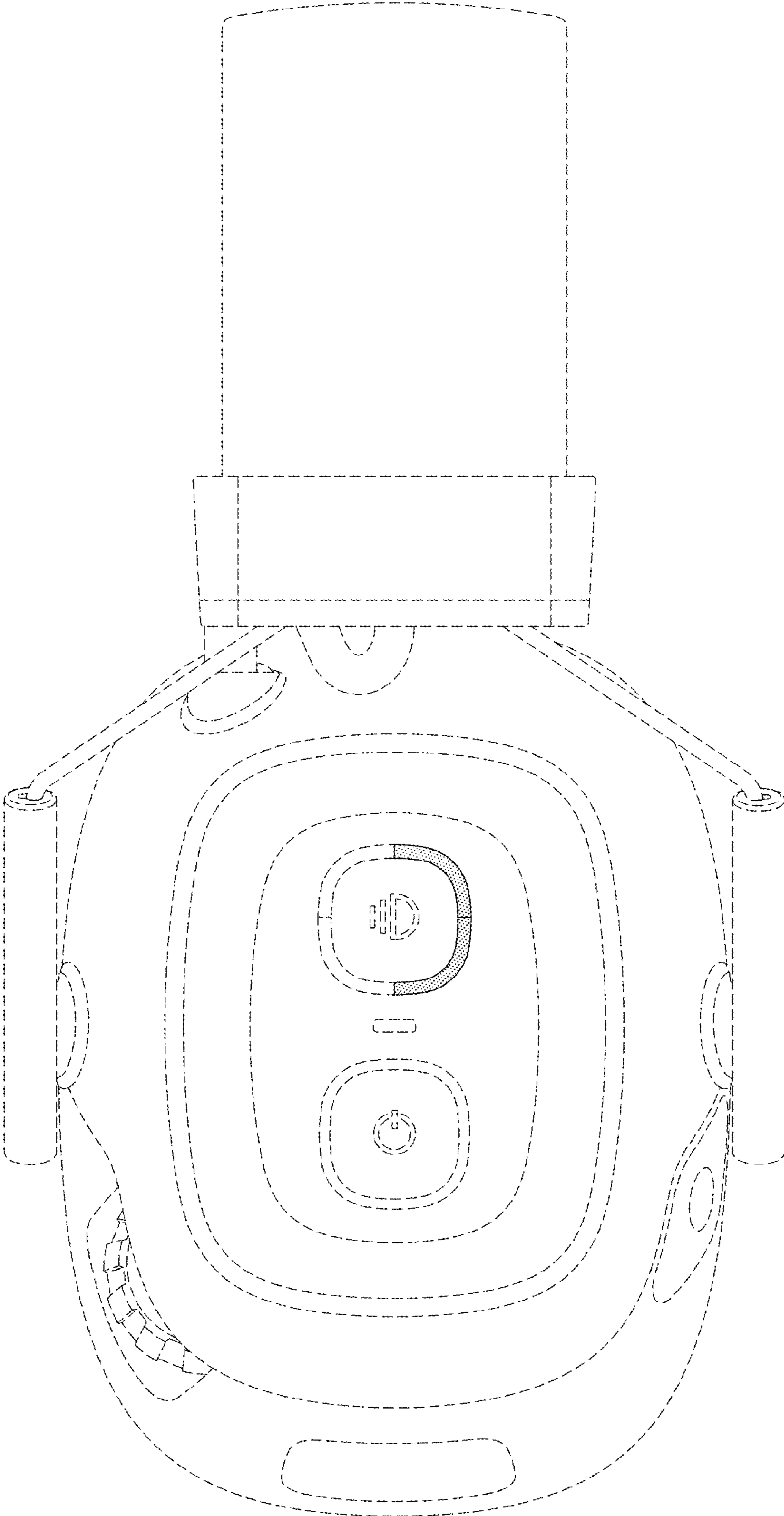


FIG. 3

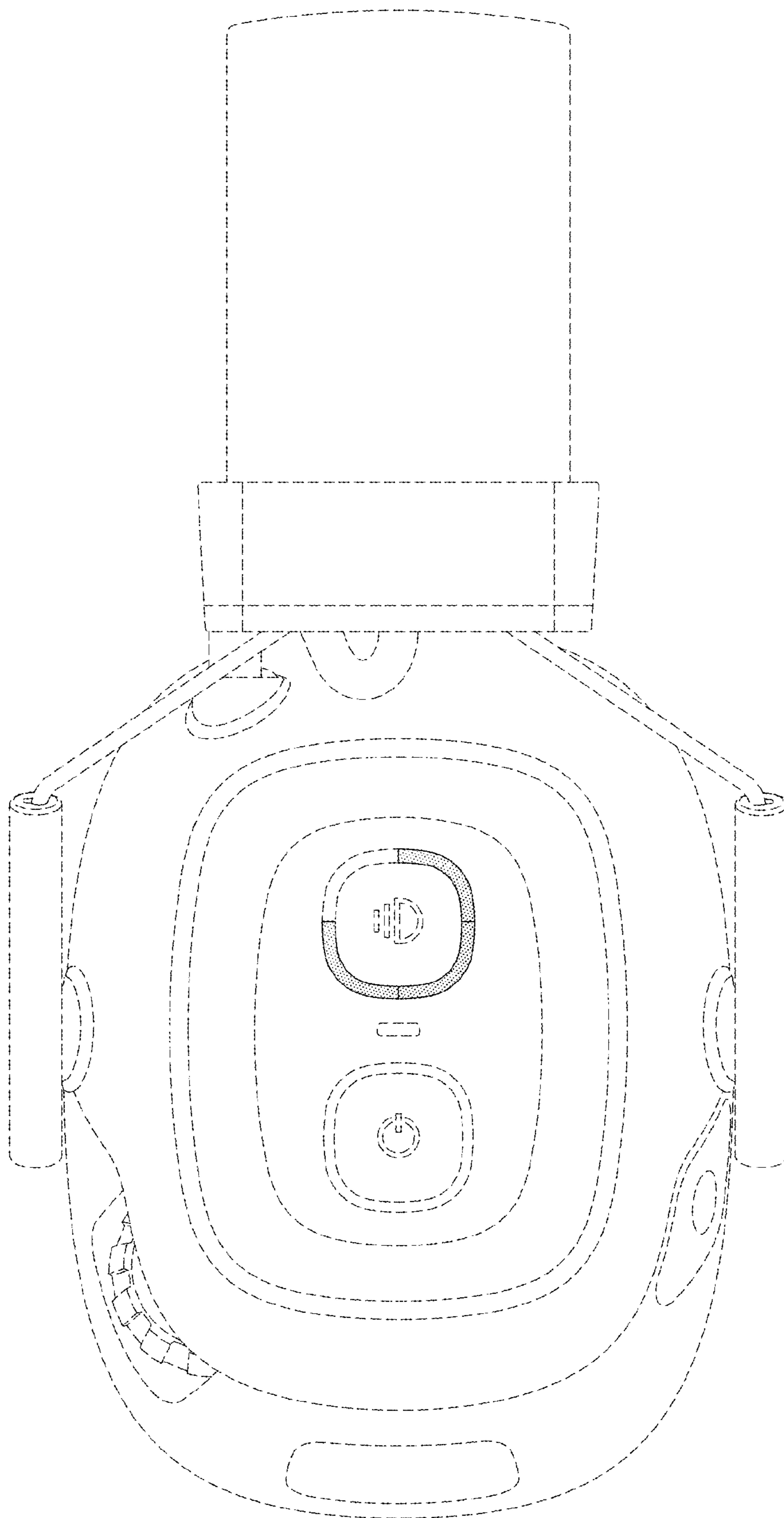


FIG. 4

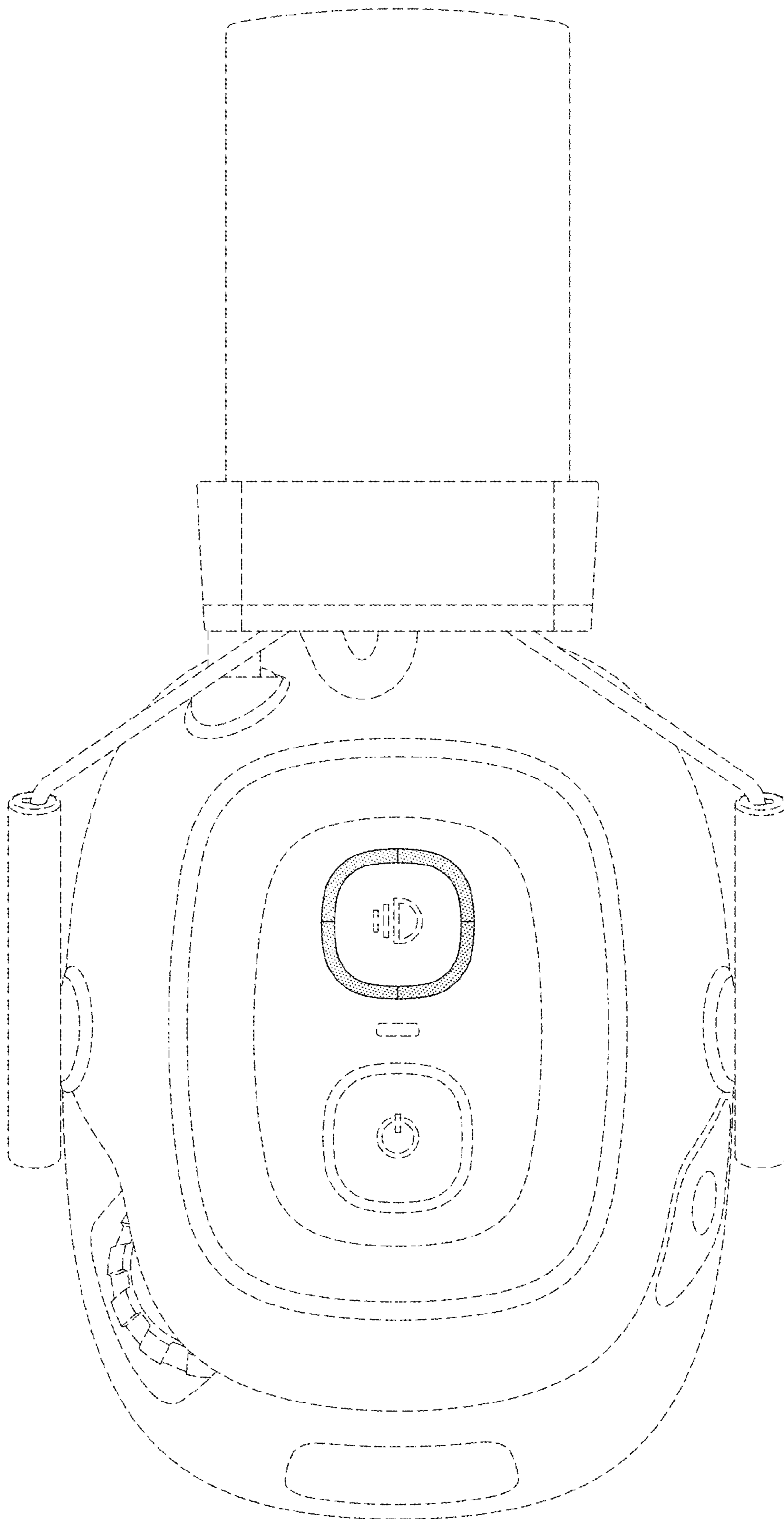


FIG. 5

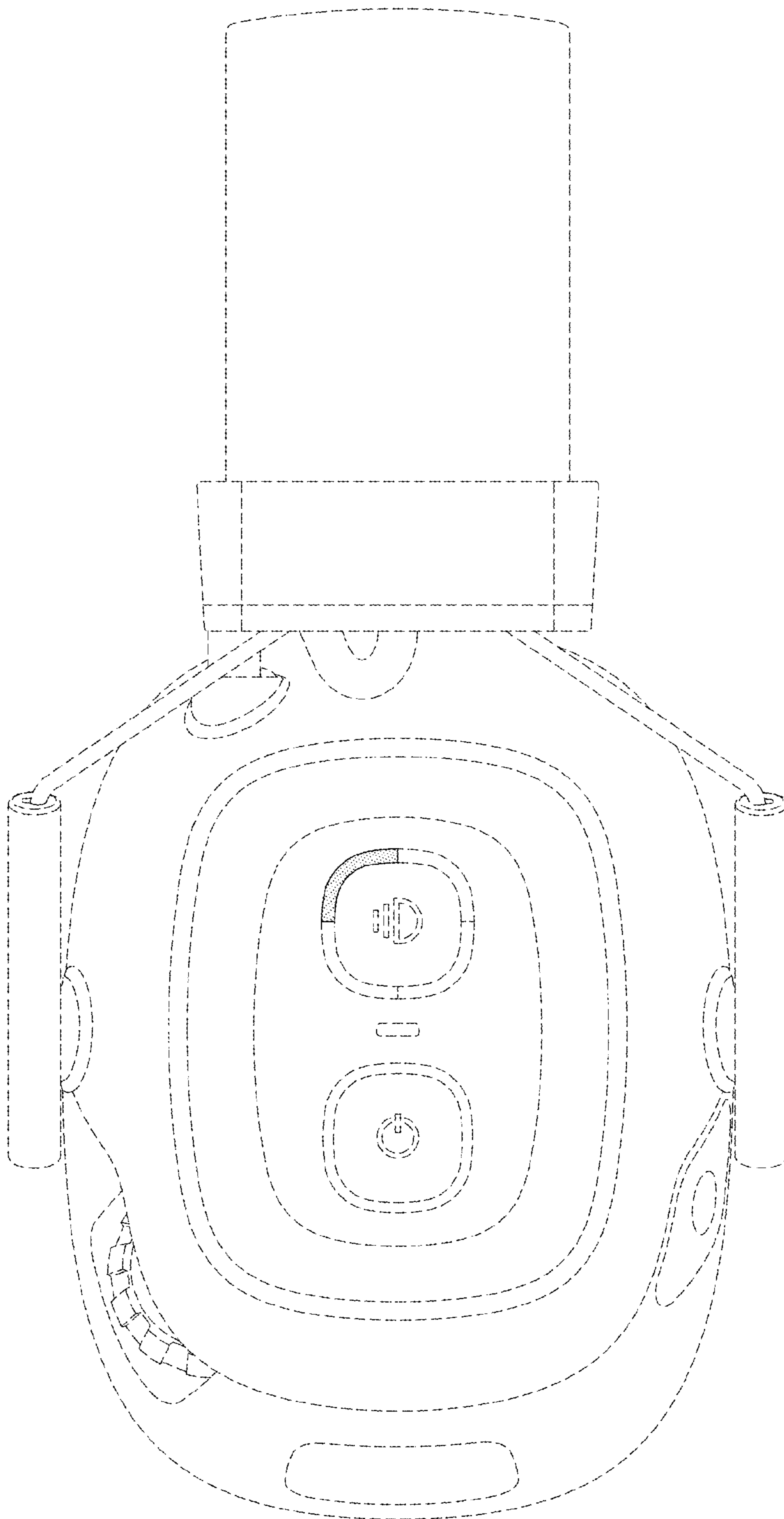


FIG. 6

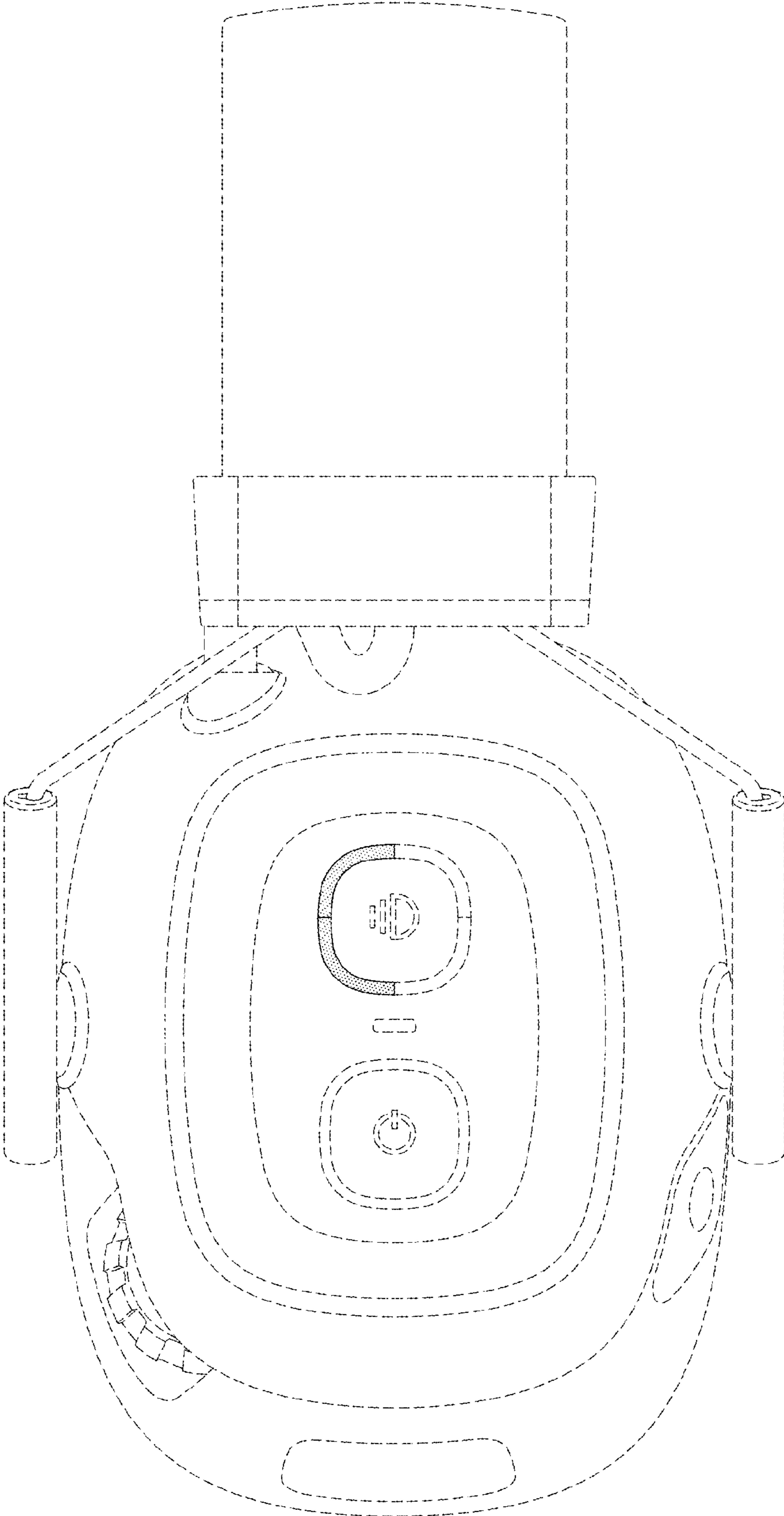


FIG. 7

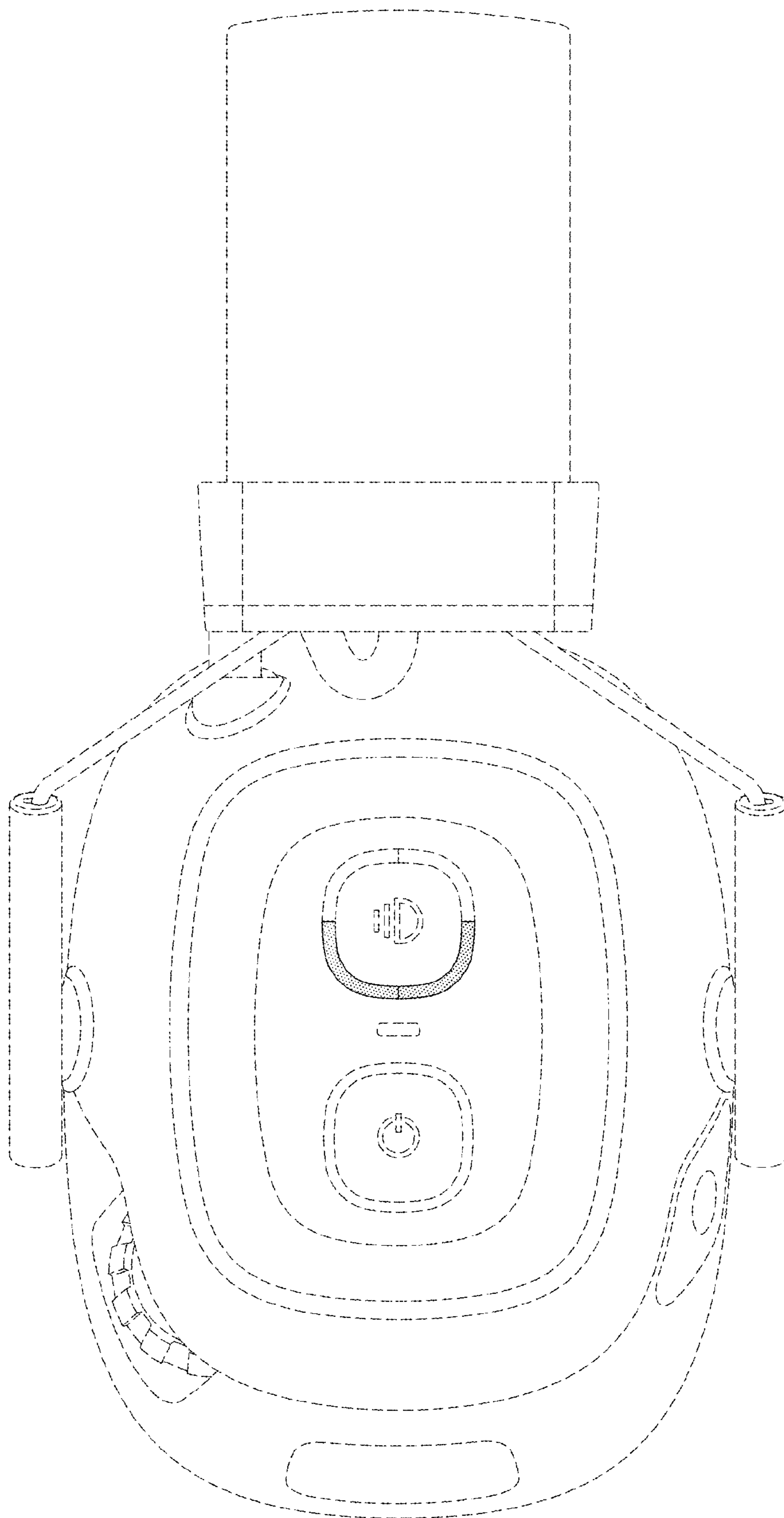


FIG. 8

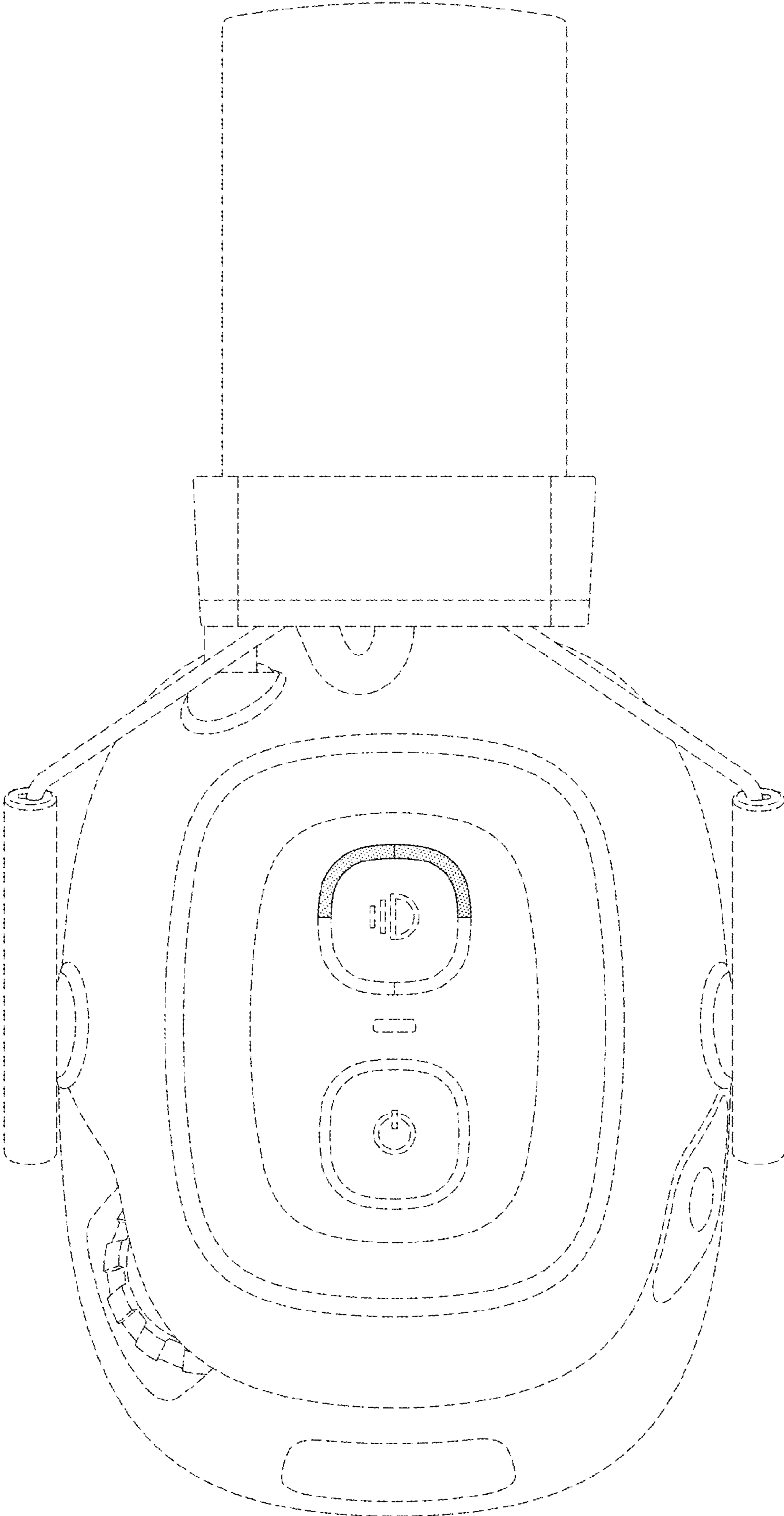


FIG. 9