



US00D890438S

(12) **United States Design Patent**  
**Xu**

(10) **Patent No.:** **US D890,438 S**  
(45) **Date of Patent:** **\*\* Jul. 14, 2020**

(54) **EAR MUFFS**

(71) Applicant: **Hanwen Xu**, Jiangxi (CN)

(72) Inventor: **Hanwen Xu**, Jiangxi (CN)

(\*\*) Term: **15 Years**

(21) Appl. No.: **29/731,195**

(22) Filed: **Apr. 13, 2020**

(51) **LOC (12) Cl.** ..... **29-02**

(52) **U.S. Cl.**

USPC ..... **D29/112; D14/205**

(58) **Field of Classification Search**

USPC ..... D29/100, 102, 105, 106, 108, 112, 122;  
D14/205, 206, 223

CPC ..... A42B 3/16; A42B 3/163; A42B 3/166;  
A61F 11/06; A61F 11/08; A61F 11/10;  
A61F 11/12; A61F 11/14; A61F  
2011/085; A63B 71/10; H04R 1/10;  
H04R 1/1008; H04R 1/1016; H04R  
1/105; H04R 1/1058; H04R 1/1066;  
H04R 1/1075; H04R 1/1083; H04R  
5/0335; H04R 25/652; H04R 25/654;  
H04R 25/656

See application file for complete search history.

(56) **References Cited**

**U.S. PATENT DOCUMENTS**

2,883,671	A *	4/1959	Hornickel	.....	A61F 11/14 2/209
2,981,958	A *	5/1961	Wadsworth	.....	A61F 11/14 2/209
3,051,961	A *	9/1962	Clark	.....	A61F 11/14 2/209
D298,670	S *	11/1988	Palmaer	.....	D14/205
D313,092	S *	12/1990	Nilsson	.....	D14/205
D375,584	S *	11/1996	Westerdal	.....	D29/112
D385,665	S *	10/1997	Westerdal	.....	D29/112
D390,564	S *	2/1998	Savona	.....	D14/205

D403,126	S *	12/1998	Scanlon	.....	D29/112
D411,200	S *	6/1999	Almqvist	.....	D14/192
D413,413	S *	8/1999	Dillon	.....	D14/205
D427,382	S *	6/2000	Leight	.....	D29/112
D434,191	S *	11/2000	Emilsson	.....	D29/112
D459,033	S *	6/2002	Dix	.....	D29/112
D459,034	S *	6/2002	Dix	.....	D29/112
D465,616	S *	11/2002	Nilsson	.....	A61F 11/14 D29/112
D651,764	S *	1/2012	Gresko	.....	A61F 11/14 D29/112
D663,900	S *	7/2012	Karlsson	.....	A61F 11/14 D29/112
D735,419	S *	7/2015	Rose	.....	D29/112
D747,557	S *	1/2016	Bonney	.....	D29/112
D752,816	S *	3/2016	Fletcher	.....	D29/112
D753,884	S *	4/2016	Bonney	.....	D29/112
D764,717	S *	8/2016	Fletcher	.....	D29/112
D766,520	S *	9/2016	Fletcher	.....	D29/112
D789,615	S *	6/2017	Pratley	.....	D29/112
D805,697	S *	12/2017	Pratley	.....	D29/112
D807,584	S *	1/2018	Fletcher	.....	D29/112
D821,653	S *	6/2018	Pratley	.....	D29/112
D834,260	S *	11/2018	Garcia Mansilla	.....	D29/112

(Continued)

*Primary Examiner* — Elizabeth J Oswecki

(74) *Attorney, Agent, or Firm* — Justin Lampel

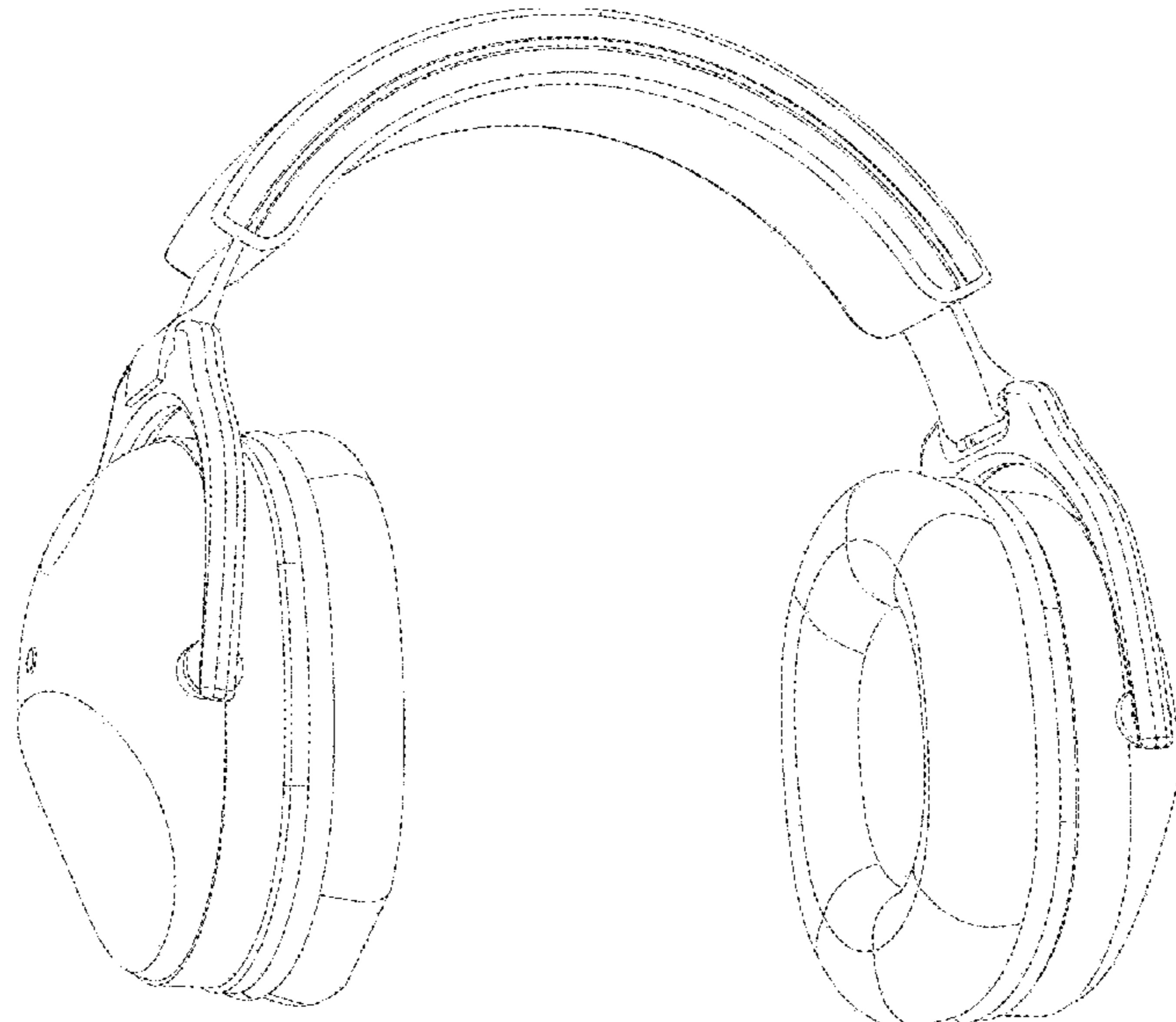
(57) **CLAIM**

The ornamental design for ear muffs, as shown and described.

**DESCRIPTION**

FIG. 1 is a perspective view of ear muffs, showing my new design;  
FIG. 2 is a top plan view thereof;  
FIG. 3 is a rear elevational view thereof;  
FIG. 4 is a bottom plan view thereof;  
FIG. 5 is a right side elevational view thereof;  
FIG. 6 is a front elevational view thereof; and,  
FIG. 7 is a left side elevational view thereof.

**1 Claim, 7 Drawing Sheets**



(56)

**References Cited**

U.S. PATENT DOCUMENTS

D848,396 S	*	5/2019	Wilson .....	D14/205
D848,679 S	*	5/2019	Wilson .....	D29/112
D851,839 S	*	6/2019	Scanlon .....	D29/112
D856,594 S		8/2019	Wilson	

\* cited by examiner



FIG.1



FIG. 2



FIG.3



FIG.4

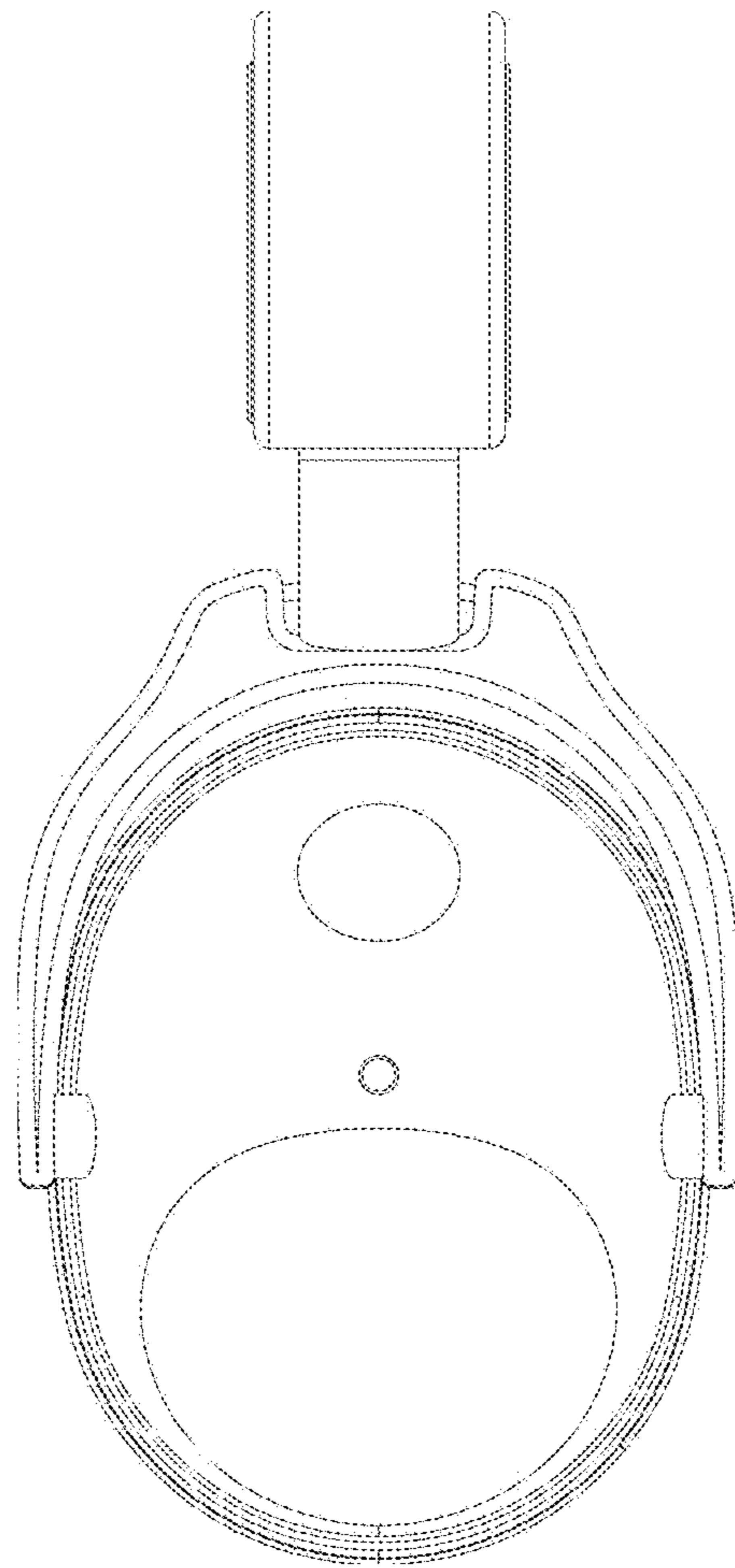


FIG.5



FIG.6



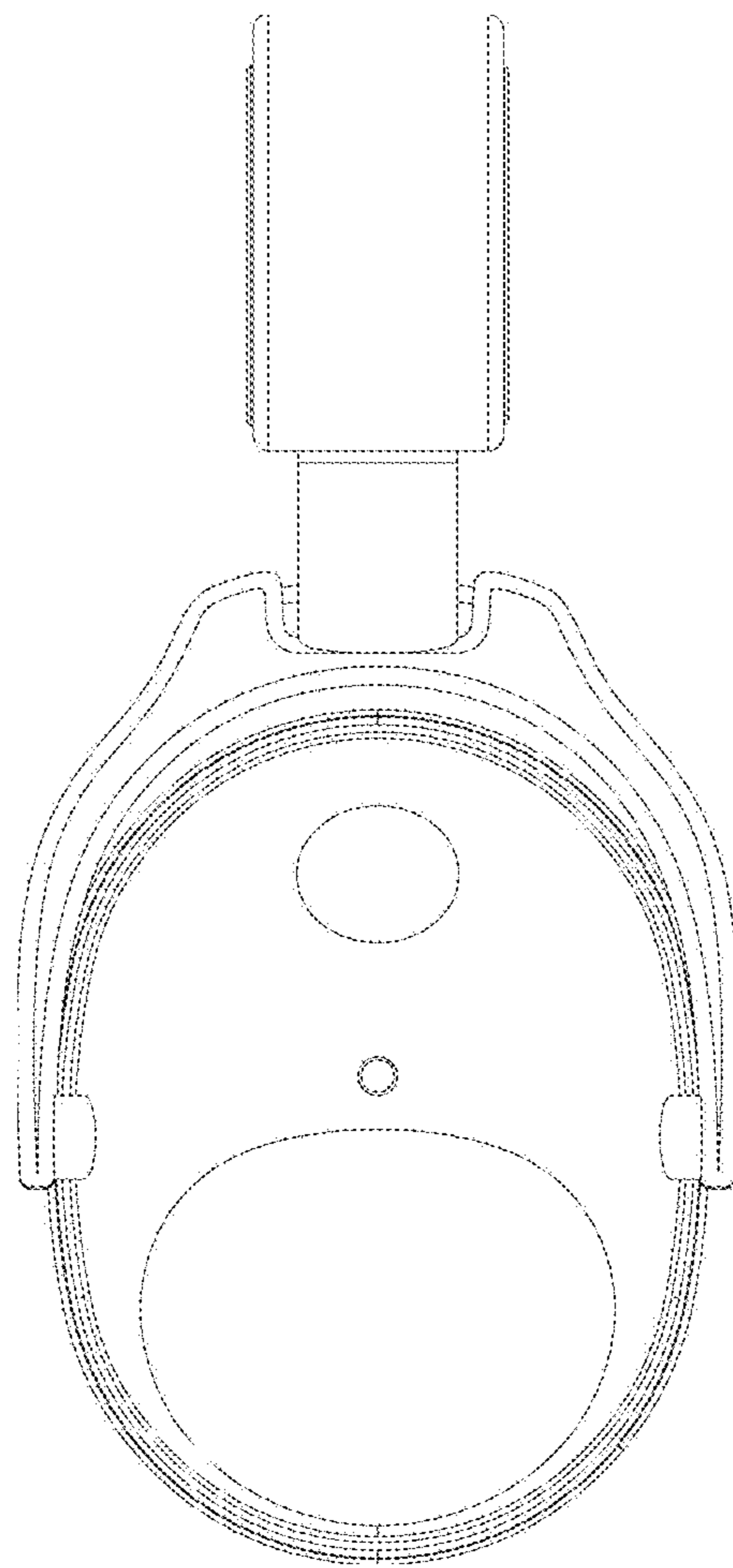


FIG. 7