



US00D890432S

(12) **United States Design Patent**  
**Huang**

(10) **Patent No.:** **US D890,432 S**

(45) **Date of Patent:** **\*\* Jul. 14, 2020**

(54) **FACIAL CLEANSING APPLIANCE**

(71) Applicant: **Tsung-Rey Huang**, Taipei (TW)

(72) Inventor: **Tsung-Rey Huang**, Taipei (TW)

(\*\*) Term: **15 Years**

(21) Appl. No.: **29/661,852**

(22) Filed: **Aug. 31, 2018**

(51) **LOC (12) Cl.** ..... **28-03**

(52) **U.S. Cl.**  
USPC ..... **D28/63**

(58) **Field of Classification Search**

USPC ..... D28/7, 8, 8.1, 8.2, 9, 20, 48, 54.1, 63,  
D28/73, 76-78, 82  
CPC .... A45D 33/00; A45D 33/001; A45D 33/003;  
A45D 33/006; A45D 33/02; A45D 33/18;  
A45D 33/22; A45D 40/26; A45D 40/261;  
A45D 40/28; A45D 44/08; A45D 44/10;  
A45D 2200/20; A45D 2200/207; A45D  
2200/1009; A45D 2200/1054; A45D  
2200/1063; A45D 2200/1081; A45D  
2200/109; A46B 2200/00; A46B 2200/10;  
A46B 2200/102; A46B 2200/1046; A46B  
5/00; A46B 5/02; A46B 5/021; A46B  
5/023; A46B 5/025; A46B 5/026; A46B  
5/028; A46B 5/0095; A46B 7/00; A46B  
7/02; A46B 7/023; A47K 7/00; A47K  
7/02; A47K 7/06; A47K 7/08  
See application file for complete search history.

(56) **References Cited**

**U.S. PATENT DOCUMENTS**

D301,398 S \* 6/1989 Cheung ..... D32/14.1  
5,891,063 A \* 4/1999 Vigil ..... A46B 13/02  
15/207.2  
D549,964 S \* 9/2007 Roth ..... D4/102  
D601,803 S \* 10/2009 Reishus ..... D4/102  
D632,487 S \* 2/2011 Watanabe ..... D28/63  
D683,139 S \* 5/2013 Chikos ..... D4/102

D715,555 S \* 10/2014 Hosler ..... D4/102  
D739,145 S \* 9/2015 von Berg ..... D4/102  
D753,400 S \* 4/2016 Khoun ..... D4/102  
D781,588 S \* 3/2017 Lee ..... D4/102  
D816,342 S \* 5/2018 Tai ..... D4/100

(Continued)

**OTHER PUBLICATIONS**

Amazon | Exfoliating Brush to Treat and Prevent Razor Bumps and Ingrown Hairs, published on Mar. 28, 2018, © 1996-2020, Amazon.com, Inc. [online], [site visited Apr. 13, 2020]. Available from Internet, <URL: <https://www.amazon.com/Exfoliating-Brush-Treat-Prevent-Ingrown/dp/B073P2F926/>>.\*

*Primary Examiner* — Philip S Hyder  
*Assistant Examiner* — Cary M Robinson  
(74) *Attorney, Agent, or Firm* — Li & Cai Intellectual Property (USA) Office

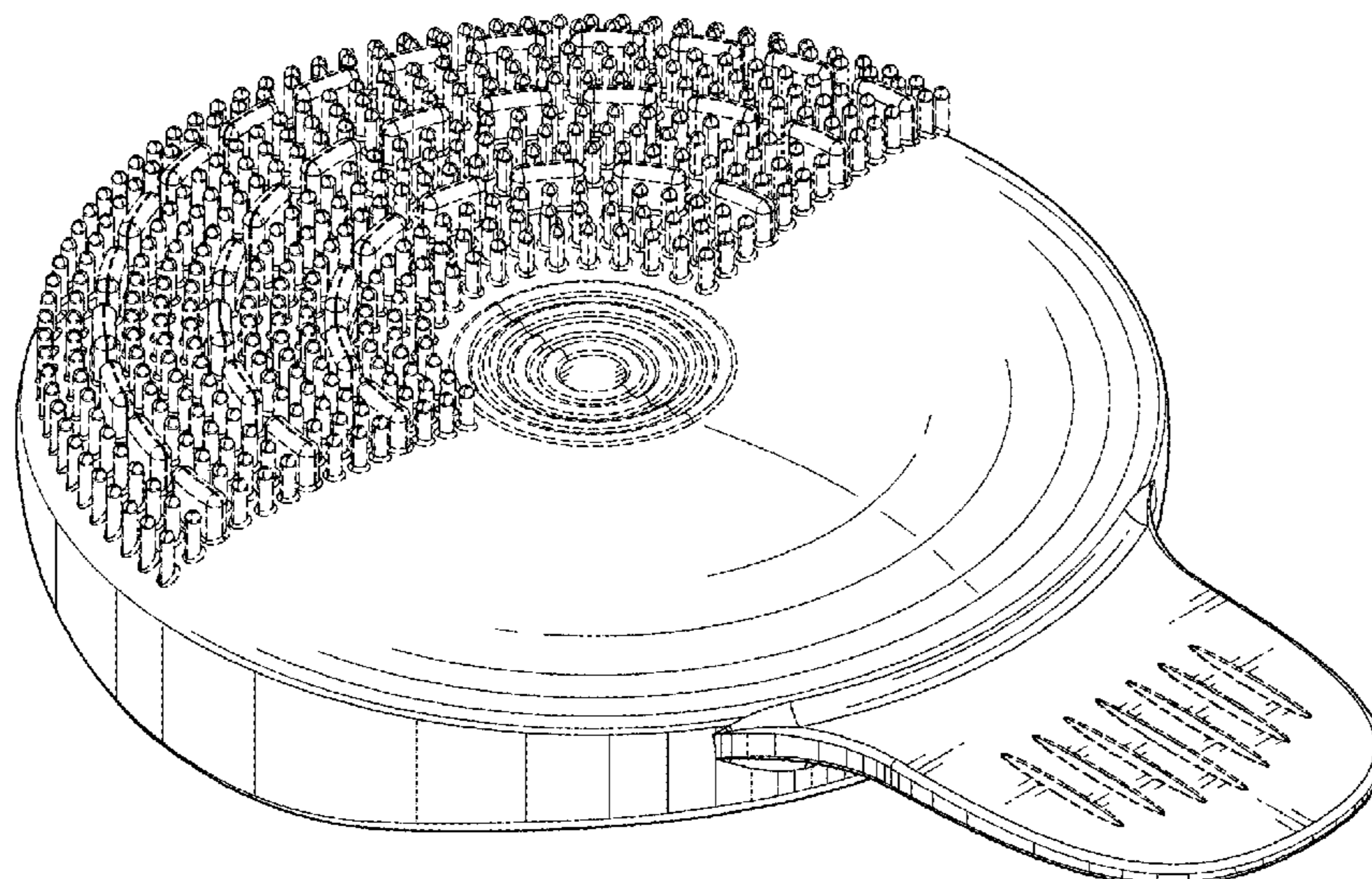
(57) **CLAIM**

The ornamental design for a facial cleansing appliance, as shown and described.

**DESCRIPTION**

FIG. 1 is a front perspective view of a facial cleansing appliance showing my new design;  
FIG. 2 is a front elevational view thereof;  
FIG. 3 is a rear elevational view thereof;  
FIG. 4 is a left side elevational view thereof;  
FIG. 5 is a right side elevational view thereof;  
FIG. 6 is a top plan view thereof;  
FIG. 7 is a bottom plan view thereof;  
FIG. 8 is a rear perspective view thereof; and,  
FIG. 9 is a perspective view showing a usage state, in which a container fitted with the facial cleansing appliance is shown in broken lines forming no part of the claimed design. The broken lines depict portions of the facial cleansing appliance in which the design is embodied that form no part of the claimed design.

**1 Claim, 7 Drawing Sheets**



(56)

**References Cited**

## U.S. PATENT DOCUMENTS

D817,571 S \* 5/2018 Campbell ..... D32/35  
D818,272 S \* 5/2018 Tai ..... D4/100  
D822,387 S \* 7/2018 Tai ..... D4/100  
D825,187 S \* 8/2018 Luo ..... D4/101  
D825,188 S \* 8/2018 Luo ..... D4/101  
D830,700 S \* 10/2018 Xue ..... D4/102  
D843,732 S \* 3/2019 Kling ..... D4/127  
D844,996 S \* 4/2019 Kymm ..... D4/102  
D867,667 S \* 11/2019 Sanchez ..... D28/63  
D871,002 S \* 12/2019 Corona ..... D32/35  
D871,675 S \* 12/2019 Quinn ..... D28/73  
D872,940 S \* 1/2020 Tammabattula ..... D28/63  
2005/0278877 A1 \* 12/2005 Akridge ..... A46B 13/008  
15/28  
2006/0010630 A1 \* 1/2006 Tse ..... A47K 7/02  
15/160  
2015/0305487 A1 \* 10/2015 Pardo ..... A46B 13/008  
15/22.1  
2016/0135582 A1 \* 5/2016 Yen ..... A47K 7/04  
15/22.1  
2016/0183670 A1 \* 6/2016 Brewer ..... A46B 15/0006  
15/22.1  
2016/0183978 A1 \* 6/2016 Aniemena ..... A61B 17/54  
132/76.5  
2016/0278584 A1 \* 9/2016 Hwang ..... A46B 13/008  
2016/0331106 A1 \* 11/2016 Khormaei ..... A46B 11/08  
2017/0086626 A1 \* 3/2017 Fang ..... A47K 7/043  
2017/0202732 A1 \* 7/2017 Nichols ..... A46B 13/008  
2017/0303677 A1 \* 10/2017 Xavier ..... B44D 3/006  
2018/0028395 A1 \* 2/2018 Roth ..... G06T 7/174  
2018/0098615 A1 \* 4/2018 George ..... A47K 7/04

\* cited by examiner

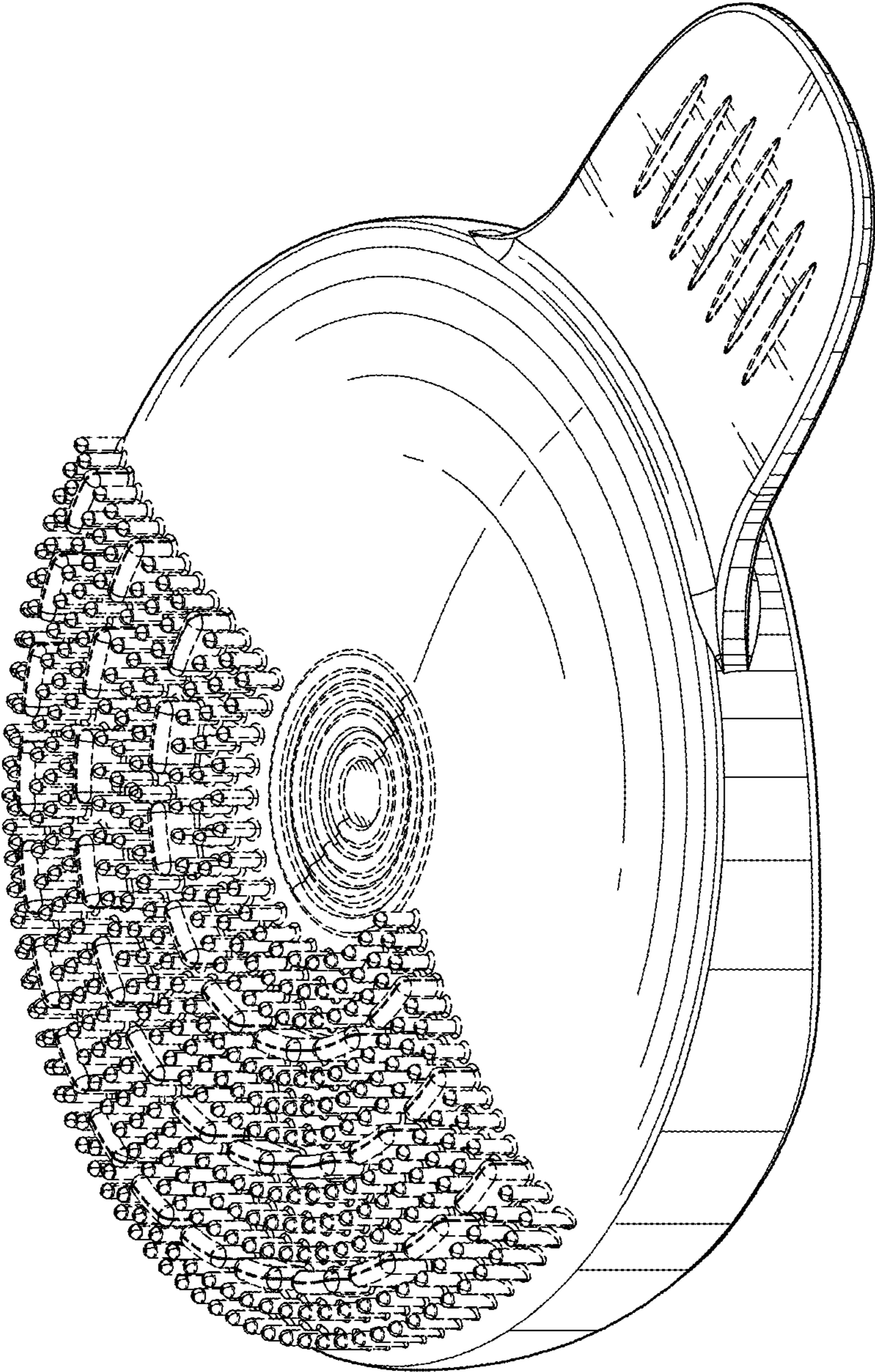


FIG. 1

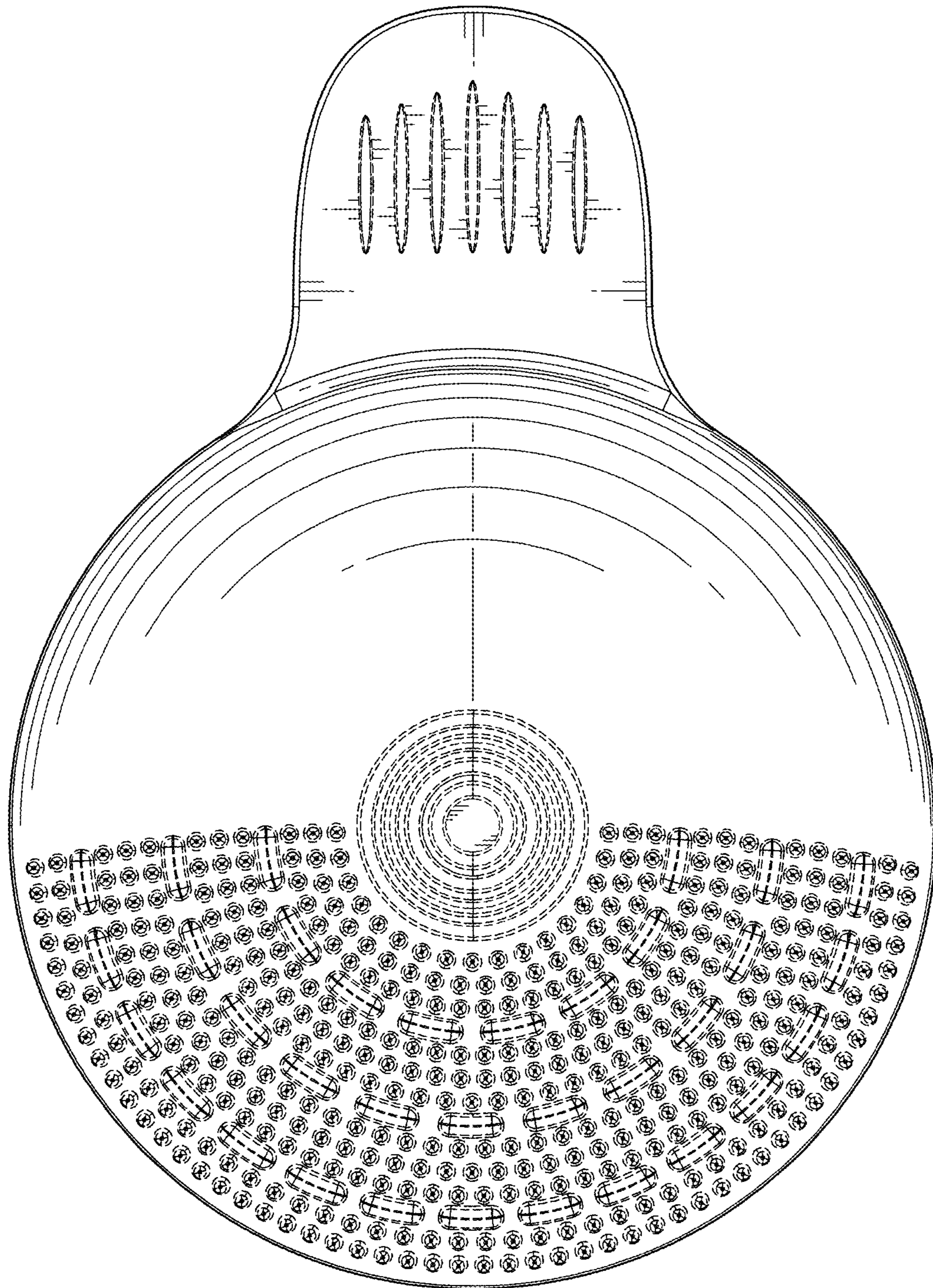


FIG. 2

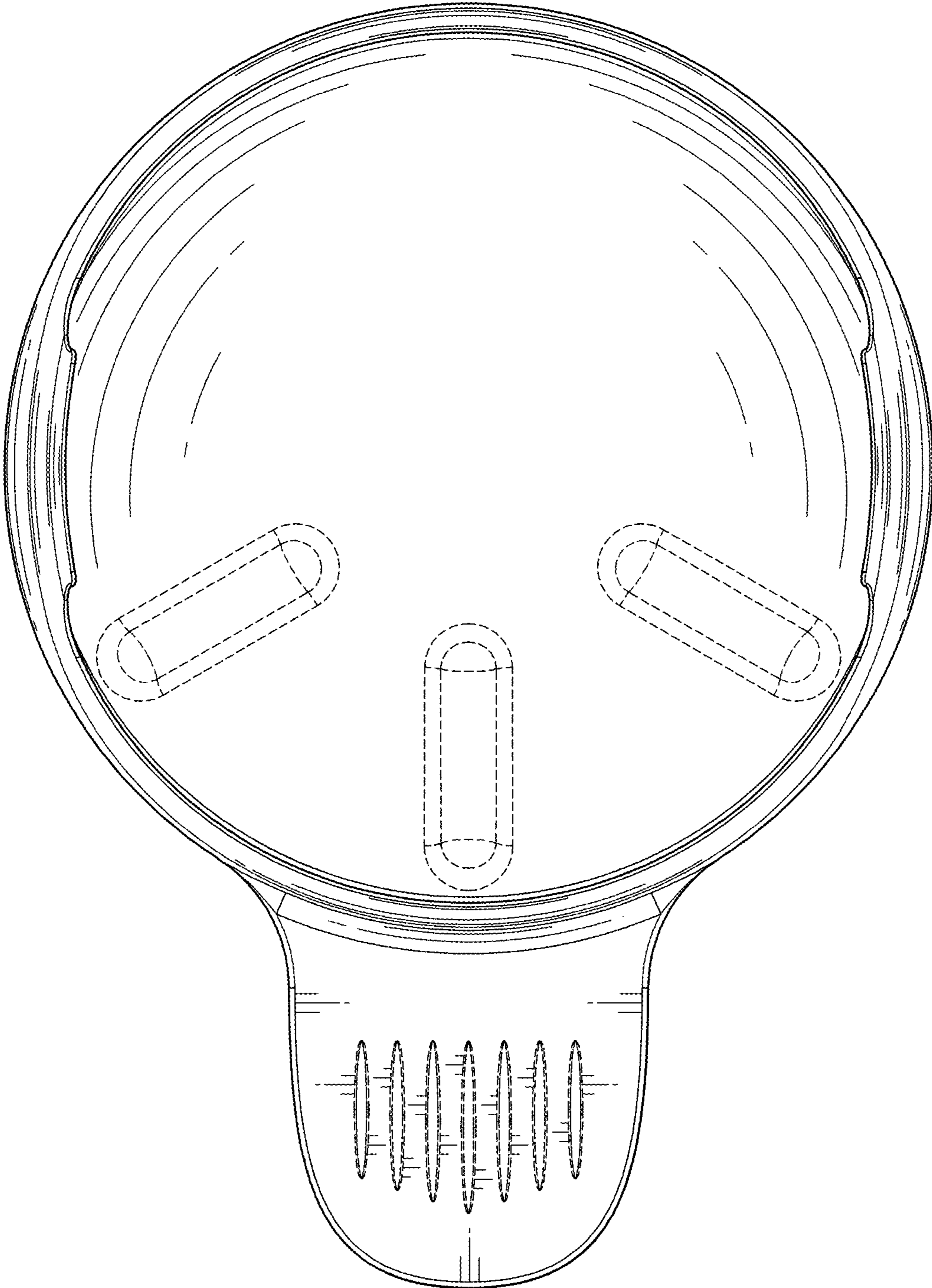


FIG. 3

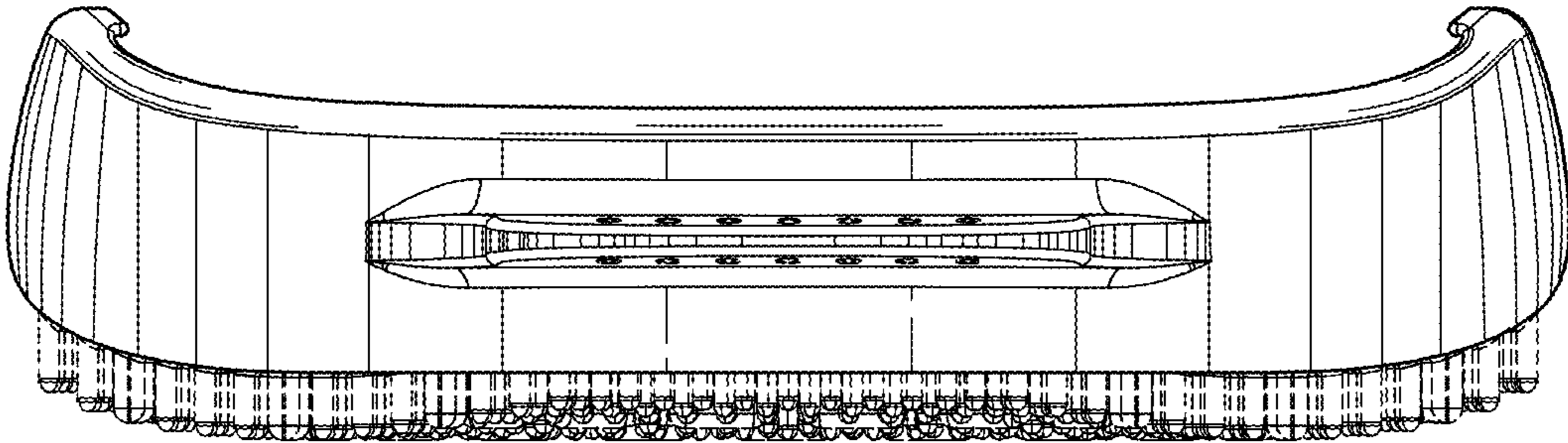


FIG. 5

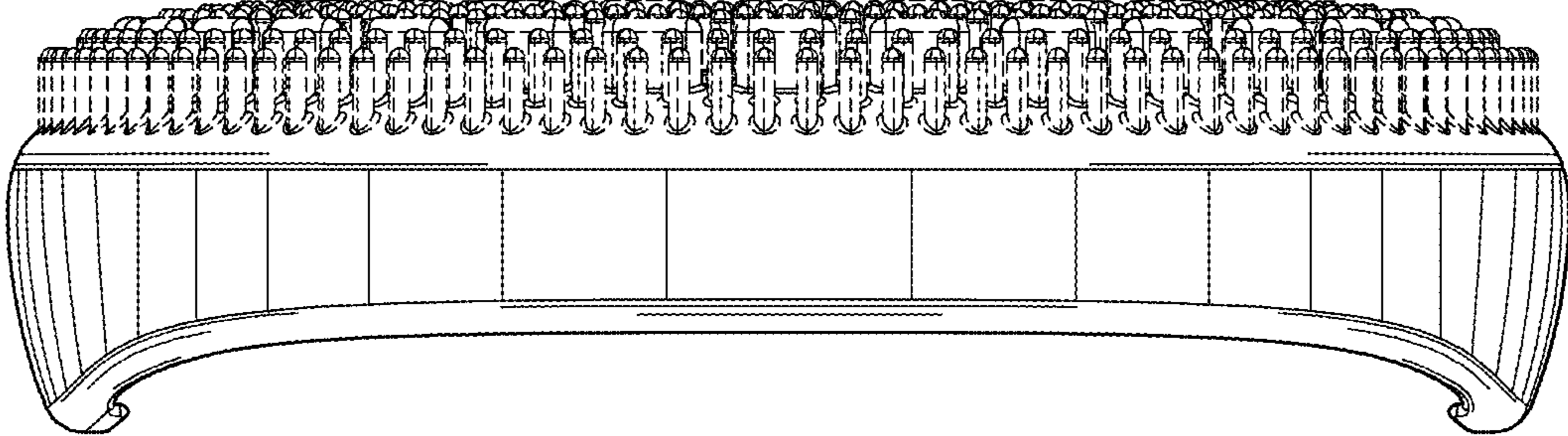


FIG. 4

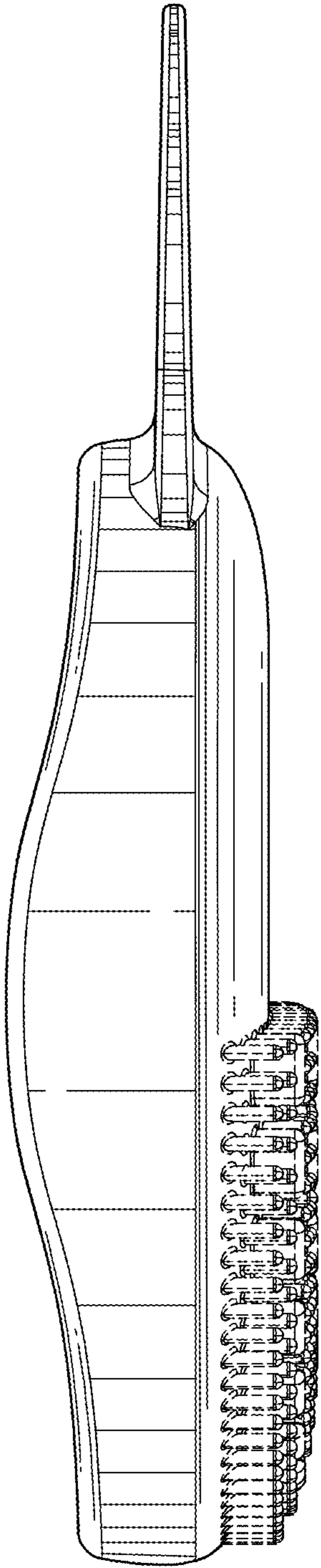


FIG. 6

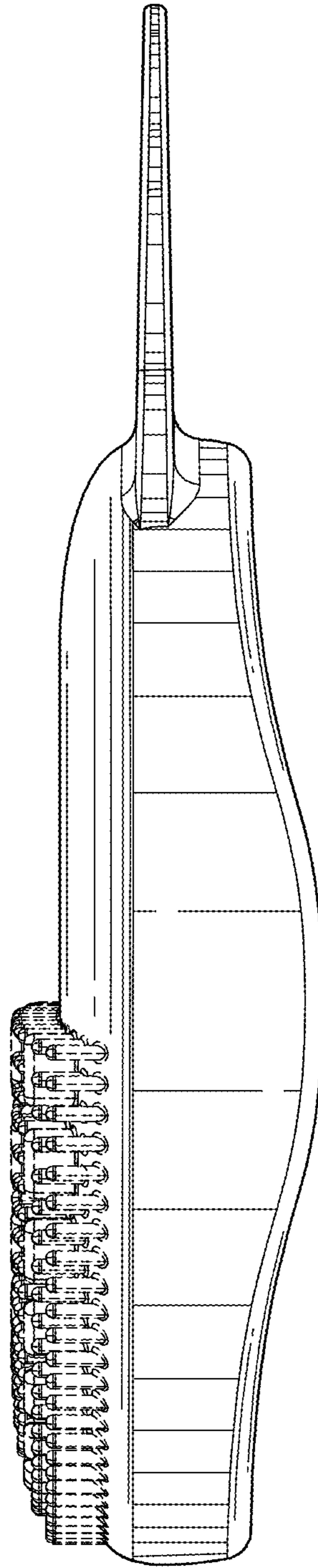


FIG. 7

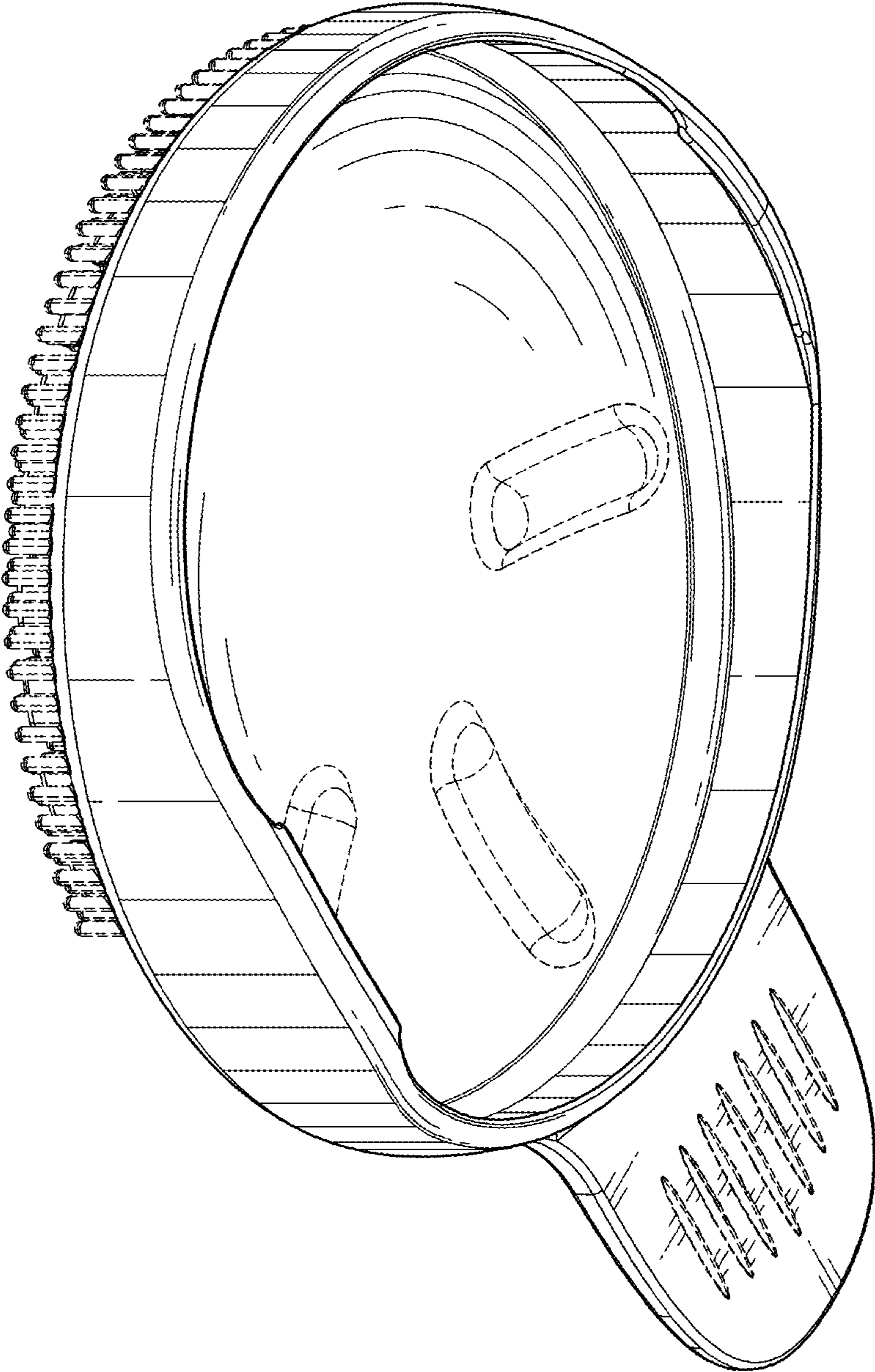


FIG. 8



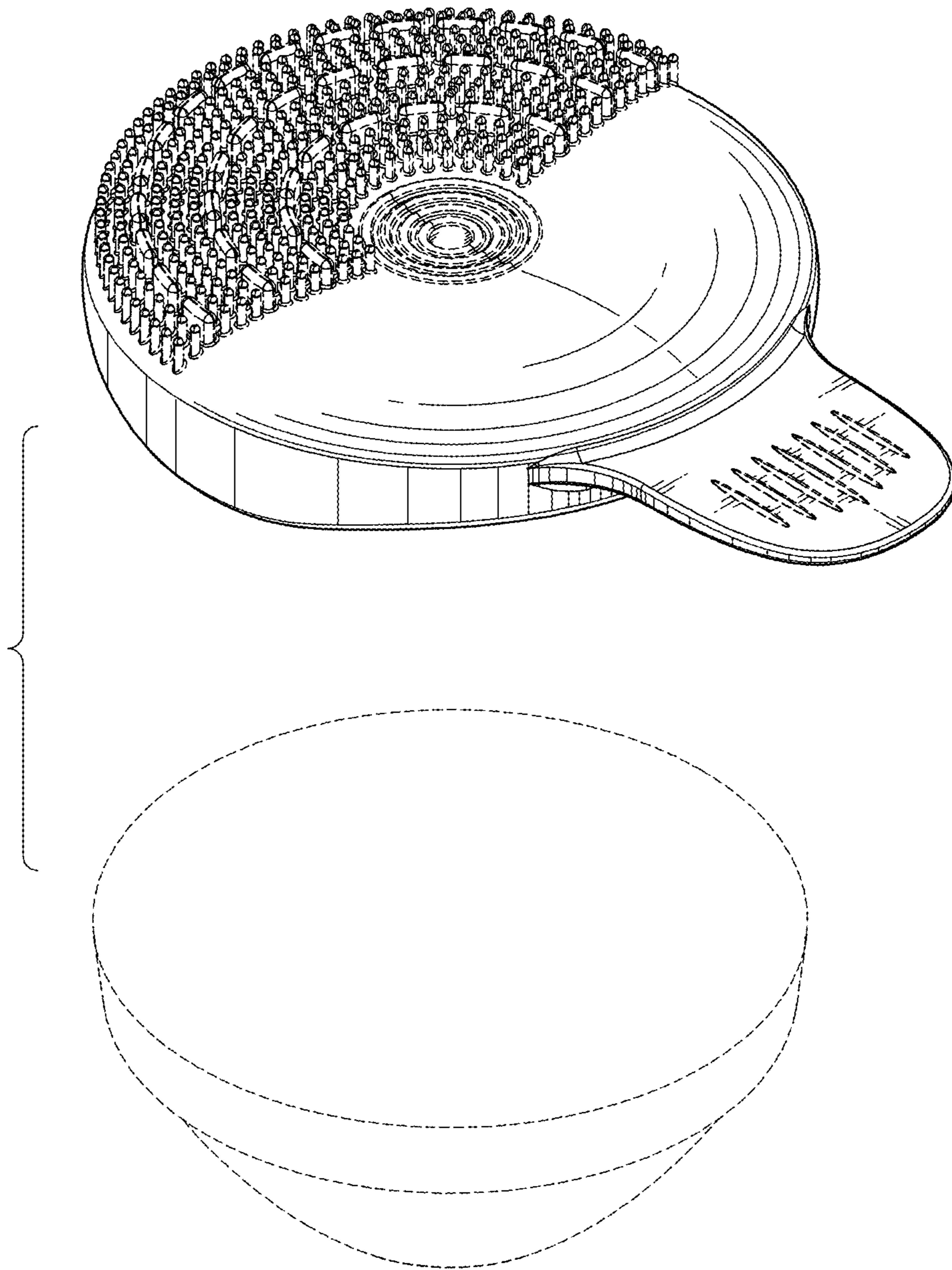


FIG. 9