



US00D890429S

(12) **United States Design Patent** (10) **Patent No.:** **US D890,429 S**
Chae (45) **Date of Patent:** **** Jul. 14, 2020**

(54) **RAZOR CARTRIDGE**
(71) Applicant: **DORCO CO., LTD.**, Seoul (KR)
(72) Inventor: **Suhyun Chae**, Seoul (KR)
(73) Assignee: **DORCO CO., LTD.**, Seoul (KR)
(**) Term: **15 Years**
(21) Appl. No.: **29/660,288**
(22) Filed: **Aug. 20, 2018**

D630,797 S * 1/2011 Witkus D28/47
D633,254 S * 2/2011 Witkus D28/47
D639,507 S * 6/2011 Furtek D28/47
D658,809 S * 5/2012 Jessemey D28/47
D665,948 S * 8/2012 Jessemey D28/47
8,359,752 B2 * 1/2013 Bridges B26B 21/4037
30/50
9,221,185 B2 * 12/2015 Walker, Jr. B26B 21/4031
D819,888 S * 6/2018 Alphonso D28/47
D826,474 S * 8/2018 Dryfhout D28/47
D827,932 S * 9/2018 Alphonso D28/47
D843,058 S * 3/2019 Fyfield D28/46
2012/0192431 A9 * 8/2012 Wain B26B 21/4031
30/50

(30) **Foreign Application Priority Data**

Feb. 20, 2018 (KR) 30-2018-0008449

(51) **LOC (12) Cl.** **28-03**

(52) **U.S. Cl.**
USPC **D28/47**

(58) **Field of Classification Search**
USPC D28/45-48
CPC . B26B 21/40; B26B 21/4006; B26B 21/4012;
B26B 21/4018; B26B 21/4025; B26B
21/4031; B26B 21/4068; B26B 21/4075;
B26B 21/4081; B26B 21/4087; B26B
21/442; B26B 21/54-60

See application file for complete search history.

(56) **References Cited**

U.S. PATENT DOCUMENTS

3,413,720 A * 12/1968 Mullen B26B 21/06
30/62
D216,658 S * 2/1970 Edmondson D28/46
D239,060 S * 3/1976 Rees D28/46
5,313,705 A * 5/1994 Rivers B26B 21/4012
30/50
D601,753 S * 10/2009 Cataudella D28/47
D602,634 S * 10/2009 Cataudella D28/46
D616,147 S * 5/2010 Adams D28/46
D630,377 S * 1/2011 Wattam D28/46

* cited by examiner

Primary Examiner — Jennifer Rivard

(74) *Attorney, Agent, or Firm* — Lee, Hong, Degerman,
Kang & Waimey

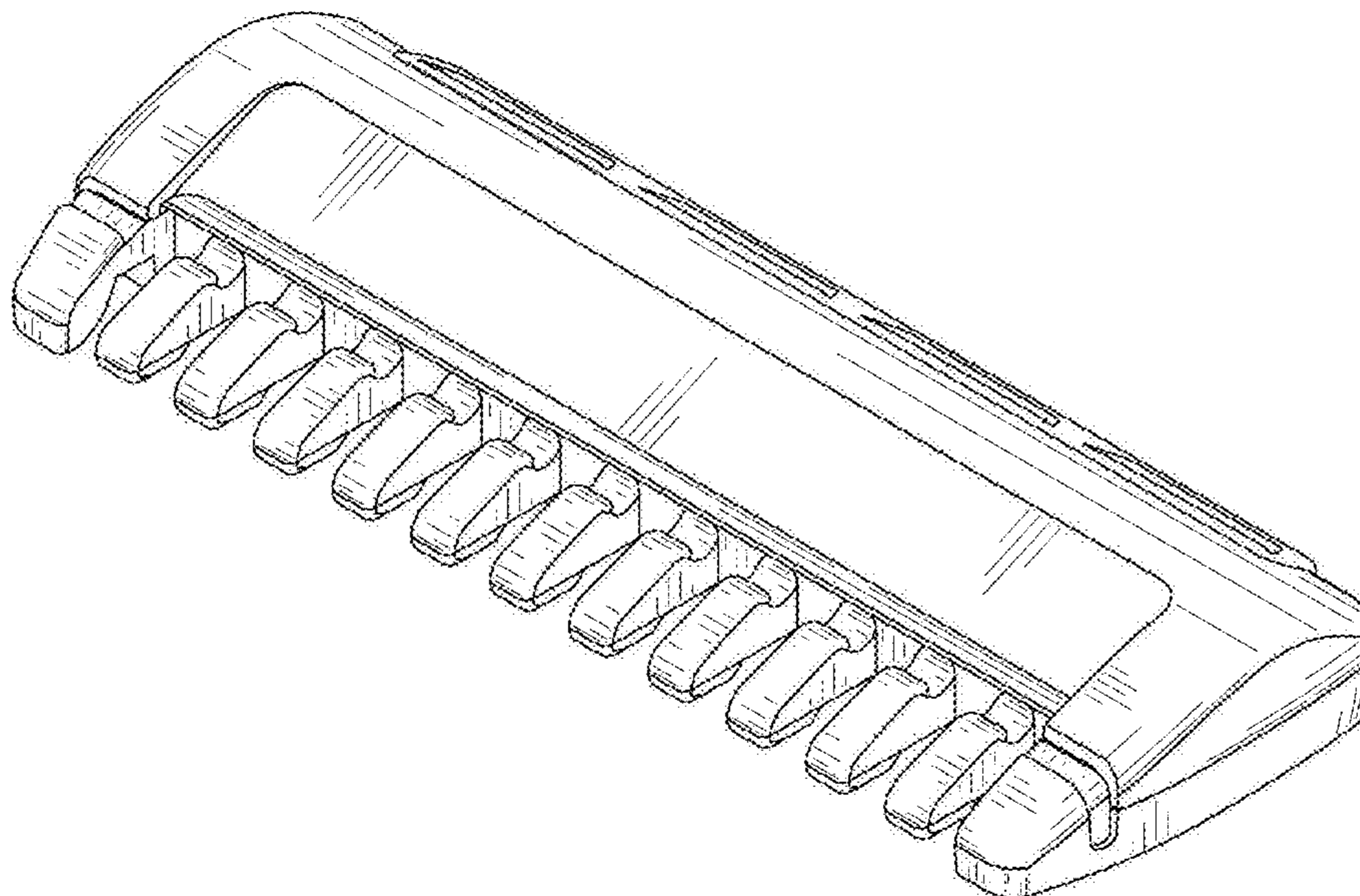
(57) **CLAIM**

The ornamental design for a razor cartridge, as shown and described.

DESCRIPTION

FIG. 1 is a front perspective view of a razor cartridge showing the new design;
FIG. 2 is a front view thereof;
FIG. 3 is a rear view thereof;
FIG. 4 is a right side view thereof;
FIG. 5 is a left side view thereof;
FIG. 6 is a top view thereof;
FIG. 7 is a bottom view thereof; and,
FIG. 8 is a perspective view showing the razor cartridge connected to a razor handle.
The broken line handle illustrates the environment of the razor cartridge, while the remaining broken lines illustrate portions of the razor cartridge. None of the broken line disclosure forms part of the claimed design.

1 Claim, 4 Drawing Sheets



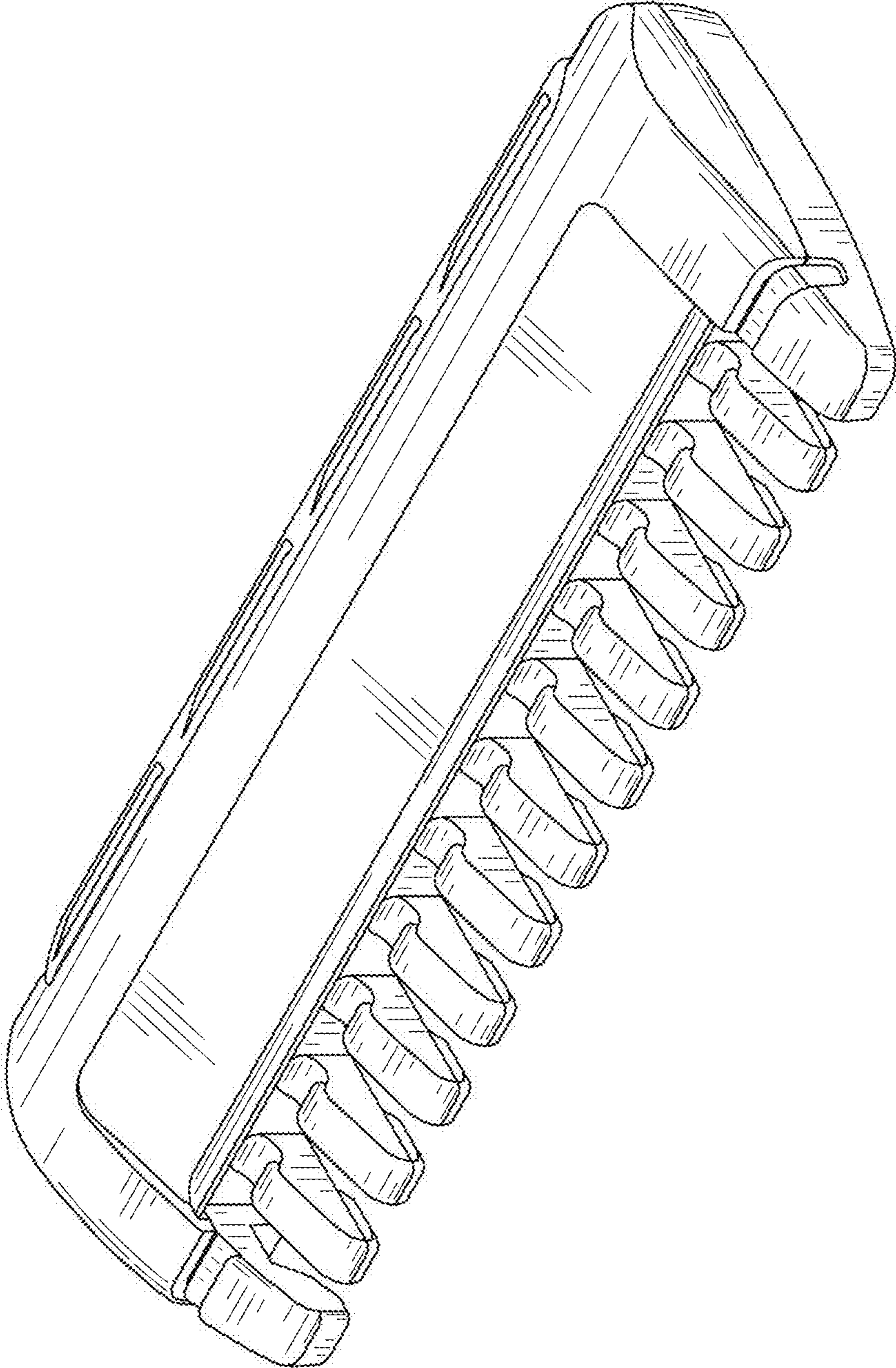


FIG. 1

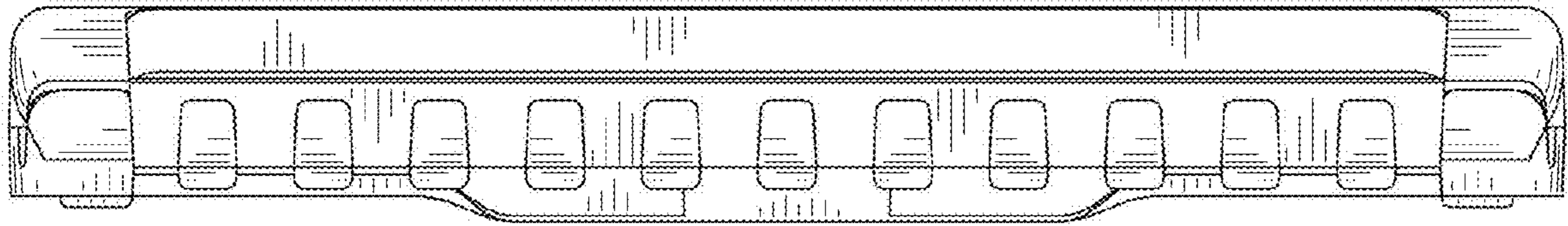


FIG. 2

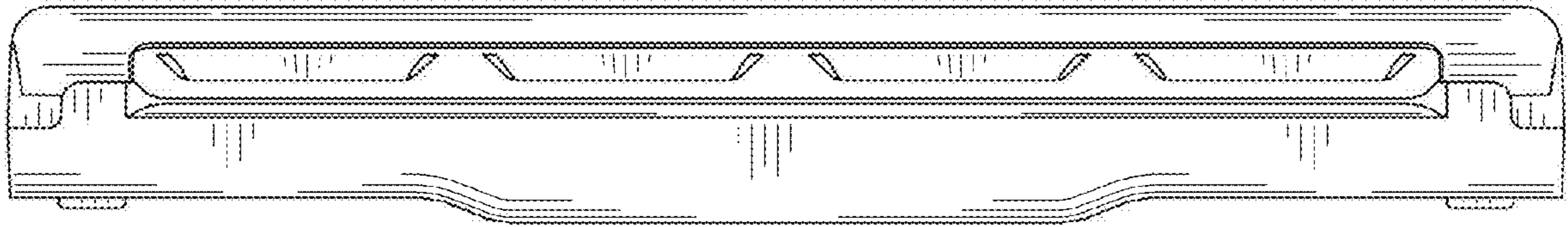


FIG. 3

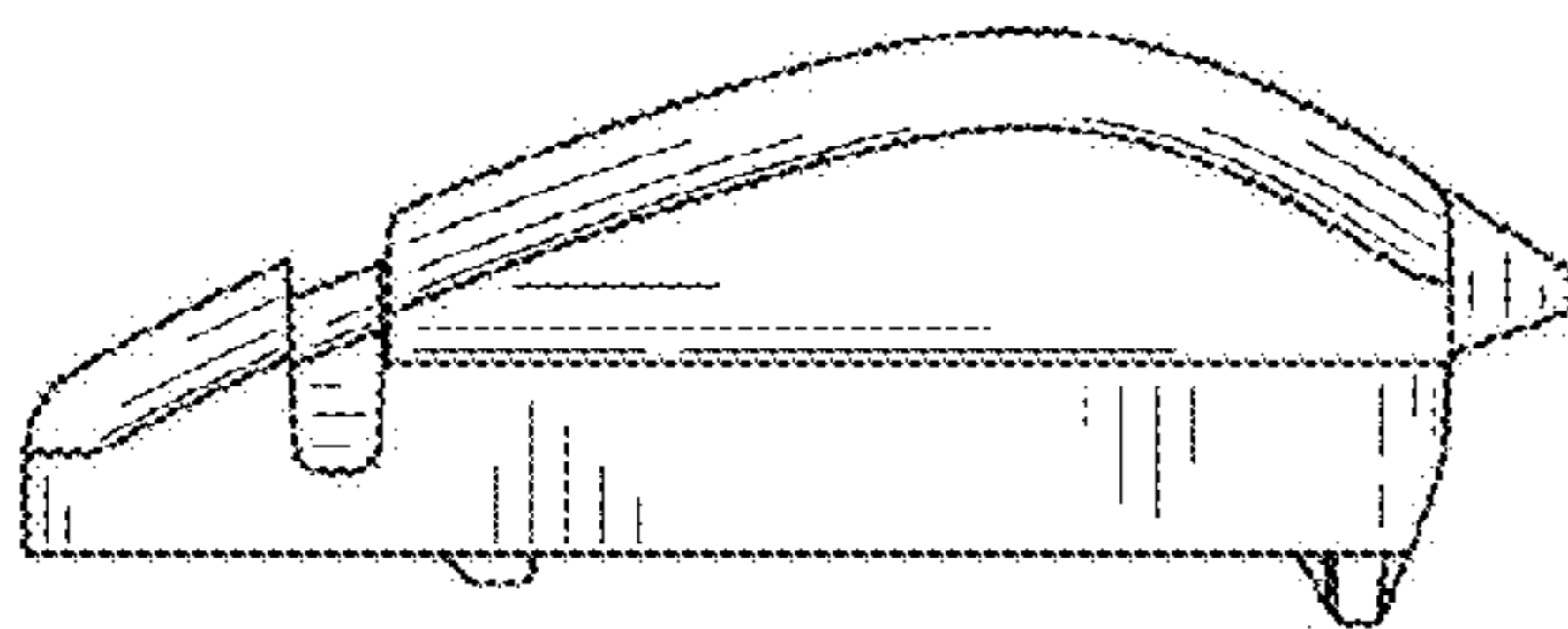


FIG. 4

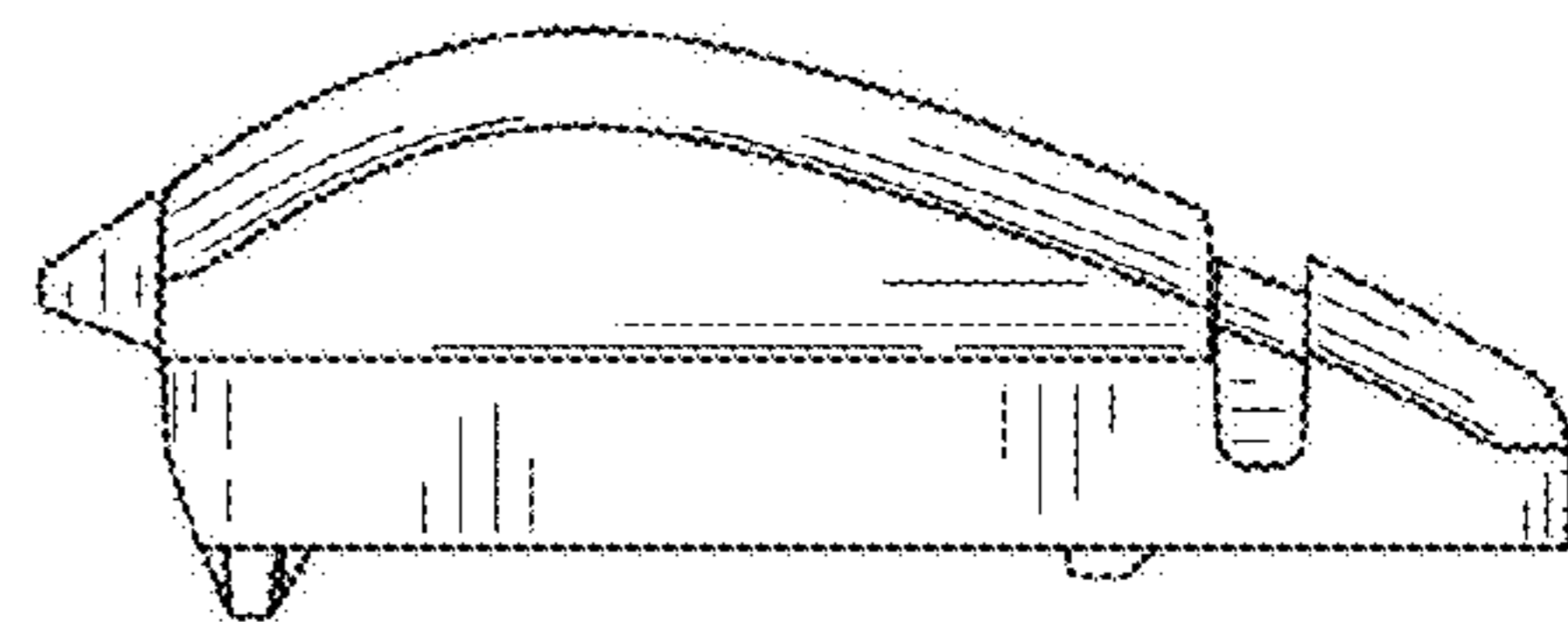


FIG. 5

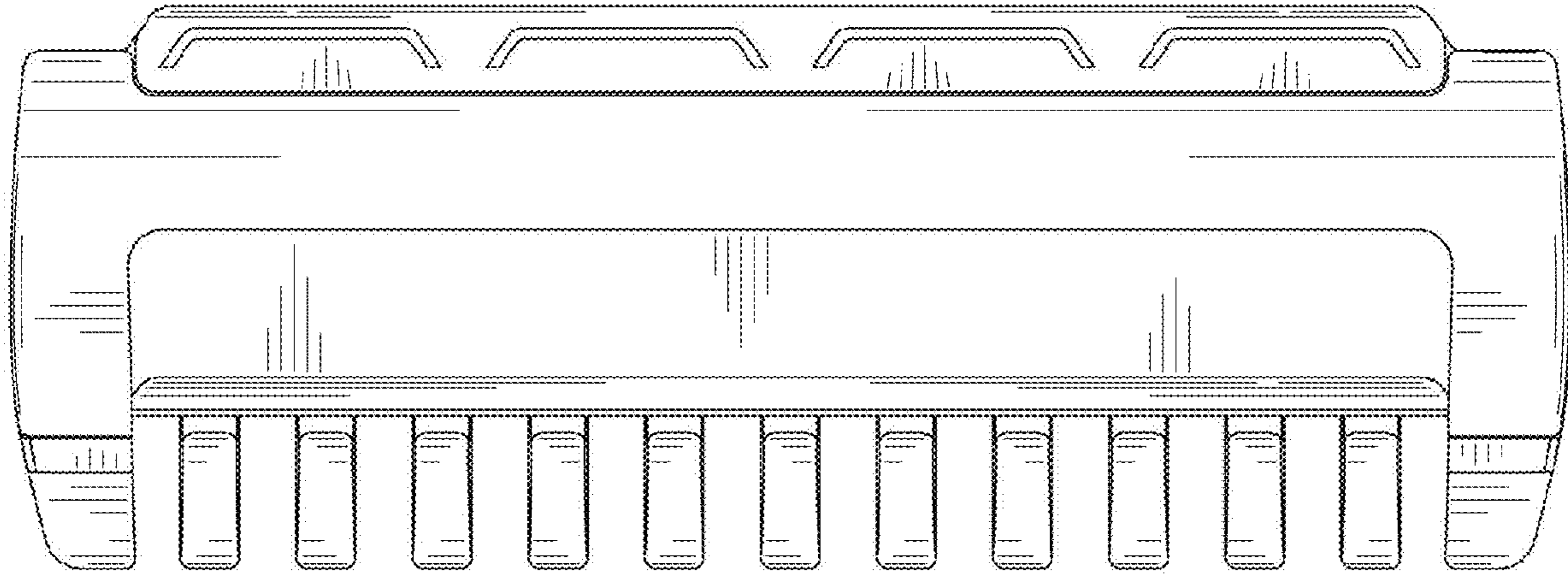


FIG. 6

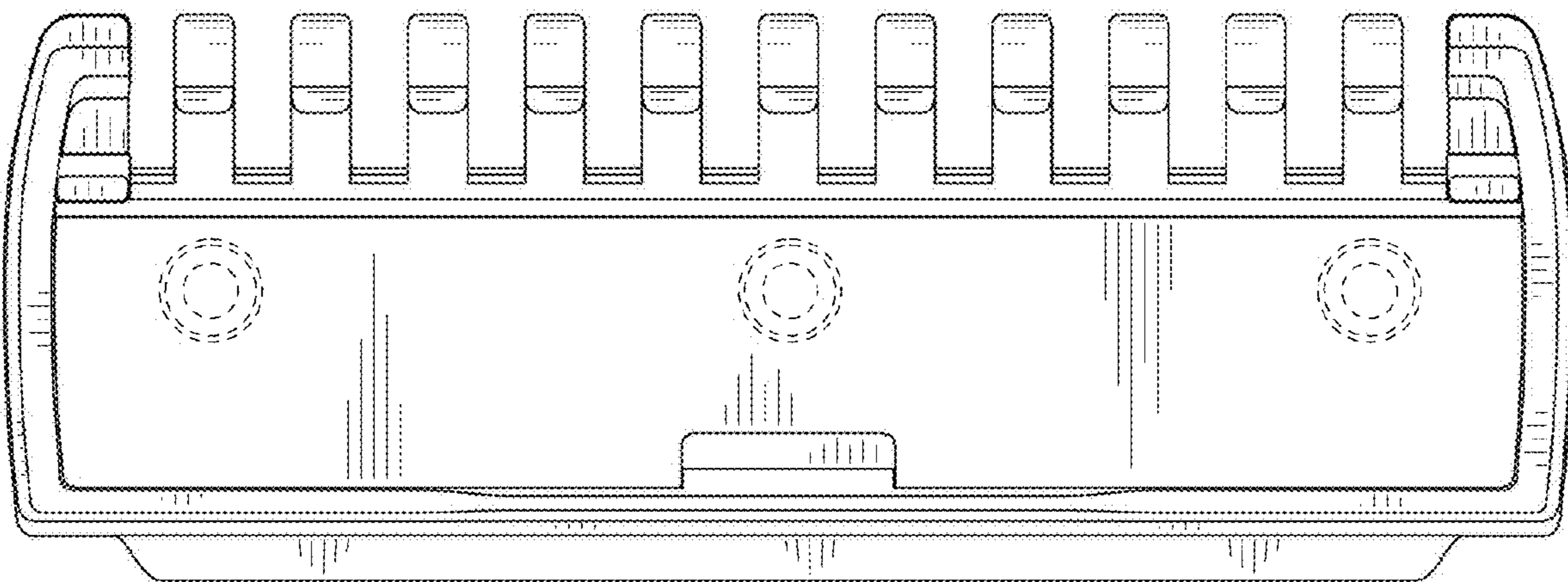


FIG. 7

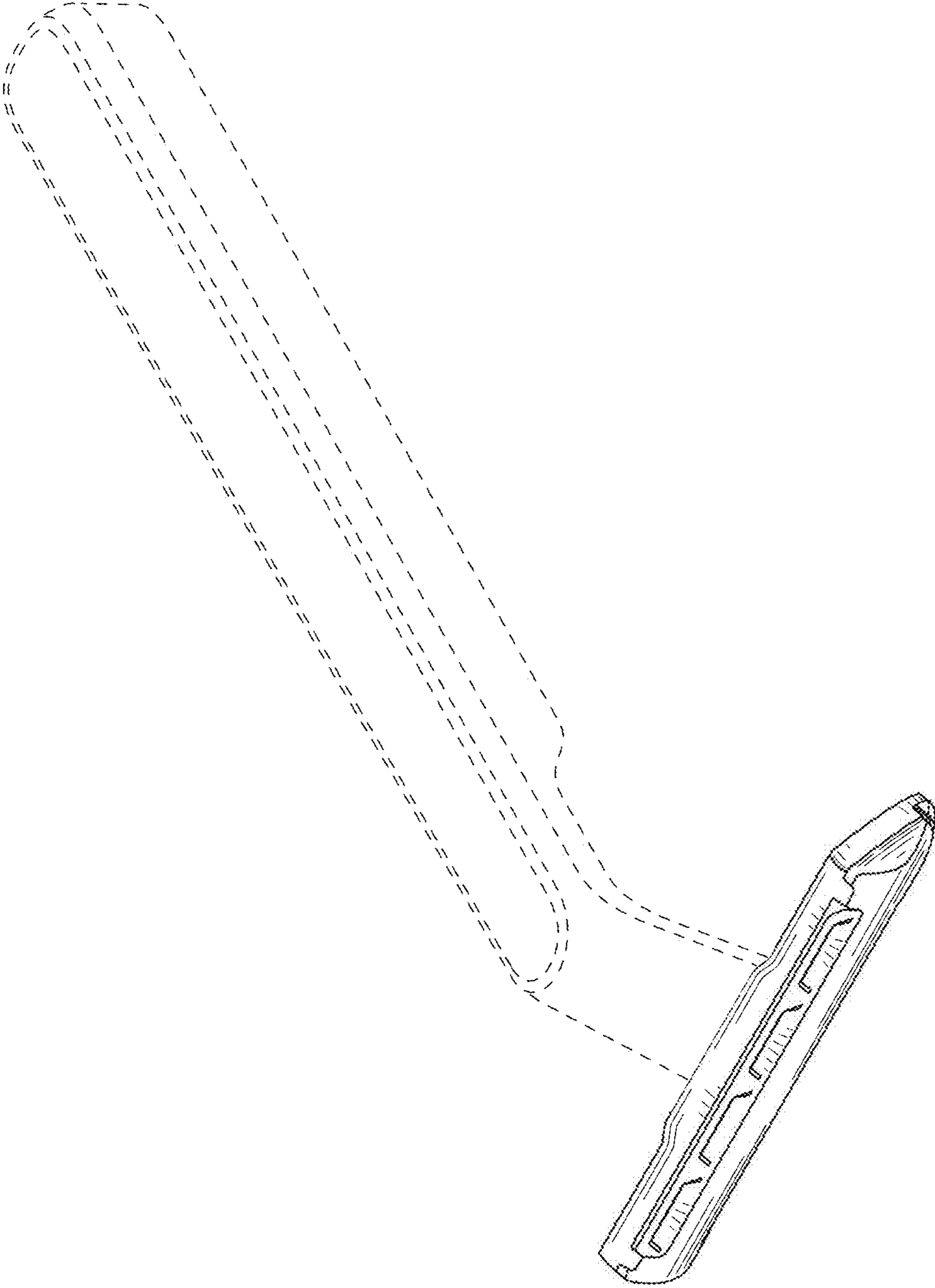


FIG. 8