



US00D890426S

(12) **United States Design Patent**  
**Liao**

(10) **Patent No.:** **US D890,426 S**  
(45) **Date of Patent:** **\*\* Jul. 14, 2020**

(54) **HAIR DRYER COMB**

(71) Applicant: **DONGGUAN SHENGMING INDUSTRIAL CO., LTD**, Dongguan (CN)

(72) Inventor: **Shengwang Liao**, Ganzhou (CN)

(73) Assignee: **DONGGUAN SHENGMING INDUSTRIAL CO., LTD**, Dongguan (CN)

(\*\*) Term: **15 Years**

(21) Appl. No.: **29/728,645**

(22) Filed: **Mar. 20, 2020**

(51) **LOC (12) Cl.** ..... **28-03**

(52) **U.S. Cl.**  
USPC ..... **D28/13**

(58) **Field of Classification Search**  
USPC ..... D28/12-19; D4/100, 128, 133  
CPC ..... A45D 20/00; A45D 20/08; A45D 20/50; A45D 20/52  
See application file for complete search history.

(56) **References Cited**

**U.S. PATENT DOCUMENTS**

9,808,066	B2 *	11/2017	Moloney	.....	A45D 20/122
D821,754	S *	7/2018	Huang	.....	D4/100
D827,198	S *	8/2018	Abdul	.....	D28/13
D848,745	S *	5/2019	Park	.....	D4/100
D850,001	S *	5/2019	Coulton	.....	D28/18
D855,996	S *	8/2019	Park	.....	D4/100
D881,579	S *	4/2020	Gao	.....	D4/100

2005/0284495	A1	12/2005	Yasuda et al.	
2006/0191554	A1	8/2006	Lafuente	
2015/0265024	A1 *	9/2015	MacLaine	..... A45D 20/50 132/271

**OTHER PUBLICATIONS**

“Panasonic Dryer Noise Suppression Type EH-KA1A-VP, Vivid Pink”, Retrieved Mar. 18, 2020]. Retrieved from Internet, <https://www.amazon.com/Panasonic-Spinning-Dryer-Noise-Suppression/dp/B07B33JXLL>.

\* cited by examiner

*Primary Examiner* — Zenia I Bennett

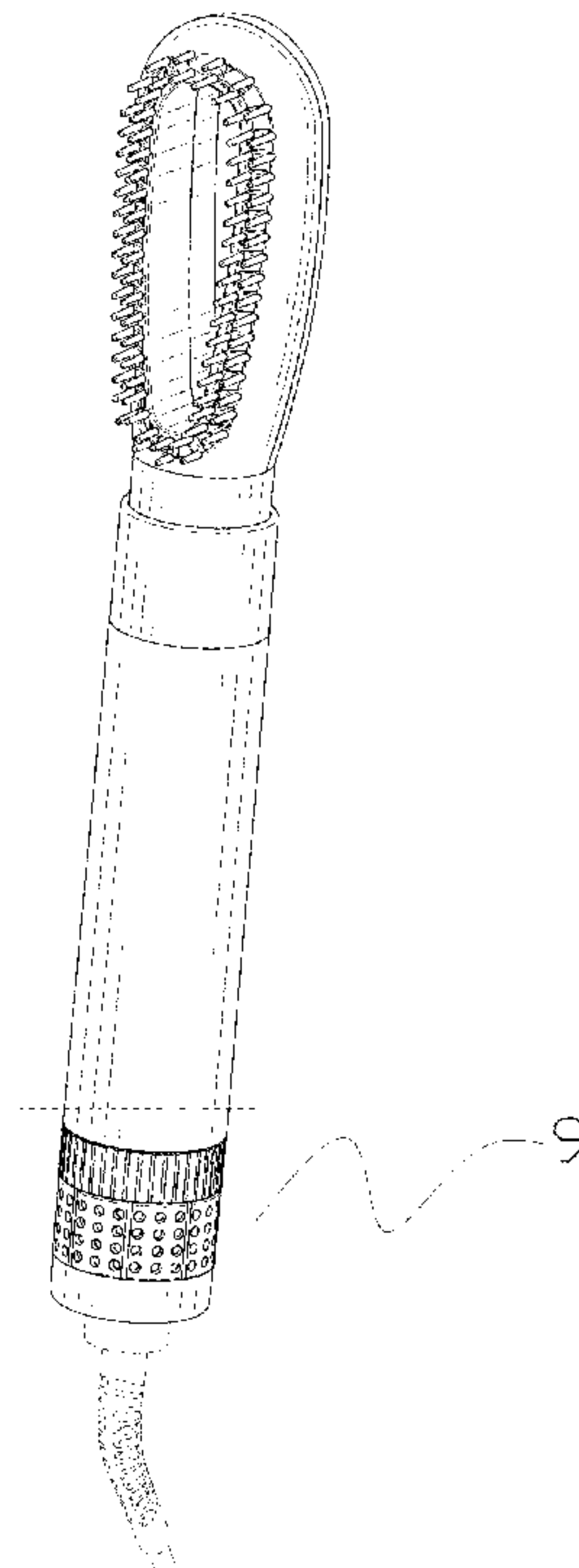
(57) **CLAIM**

The ornamental design for a hair dryer comb, as shown and described.

**DESCRIPTION**

FIG. 1 is a perspective view of a hair dryer comb showing my new design;  
FIG. 2 is another perspective view thereof;  
FIG. 3 is a front elevational view thereof;  
FIG. 4 is a rear elevational view thereof;  
FIG. 5 is a left side elevational view thereof;  
FIG. 6 is a right side elevational view thereof;  
FIG. 7 is a top plan view thereof;  
FIG. 8 is a bottom plan view thereof;  
FIG. 9 is an enlarged view of portion 9 shown in FIG. 1;  
FIG. 10 is an enlarged top plan view thereof; and,  
FIG. 11 is an enlarged bottom plan view thereof.  
The broken lines in the drawings depict boundaries of the hair dryer comb that form no part of the claimed design.

**1 Claim, 11 Drawing Sheets**



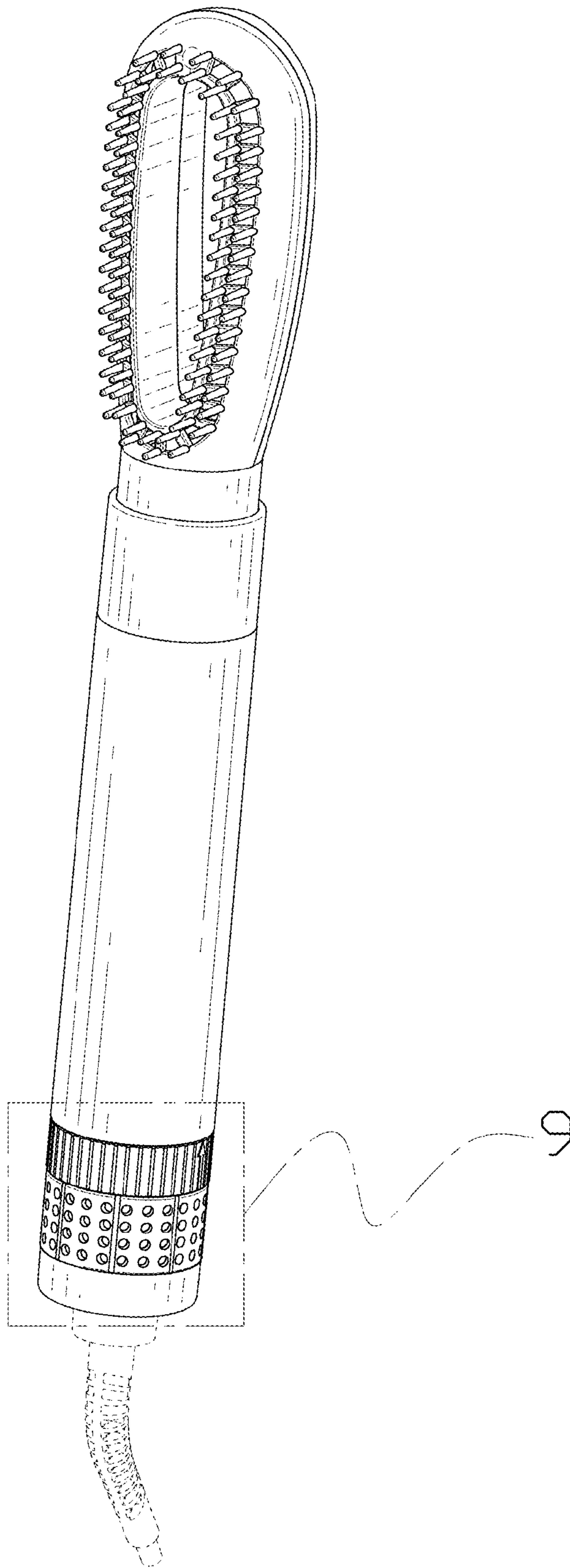


FIG. 1

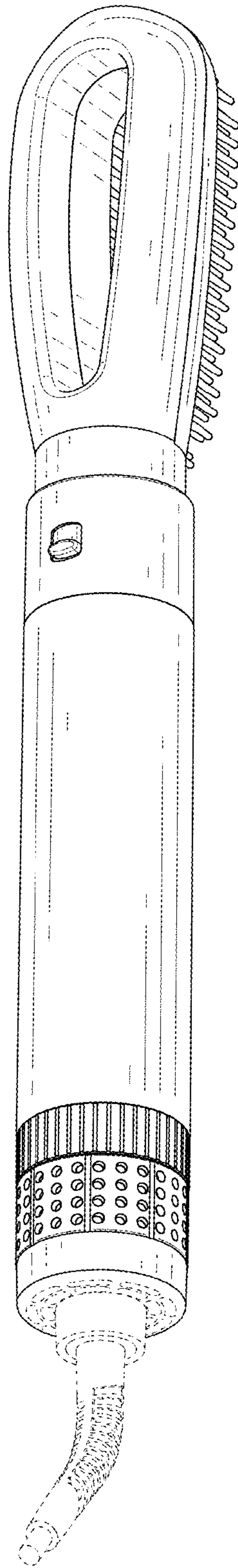


FIG. 2

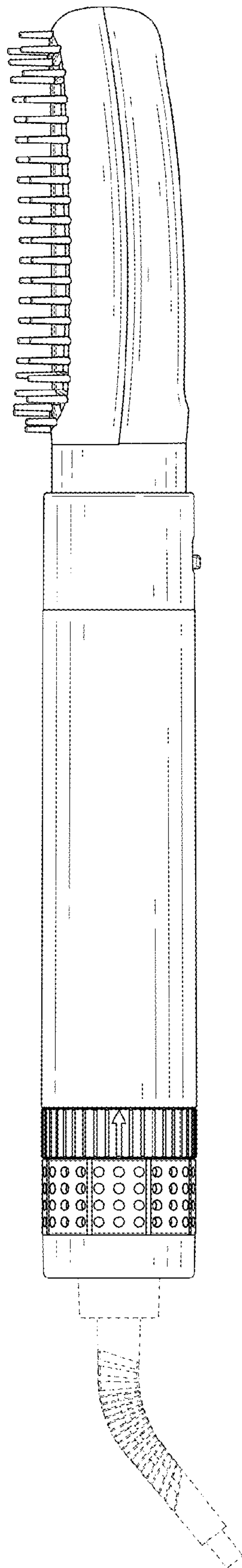


FIG. 3

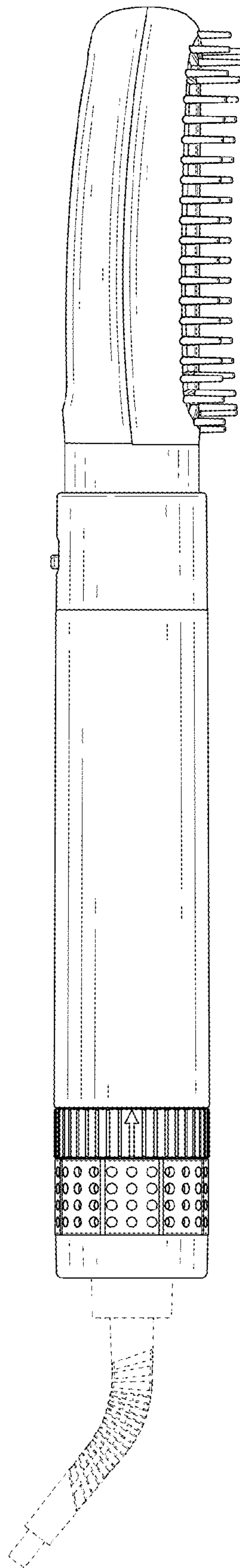


FIG. 4

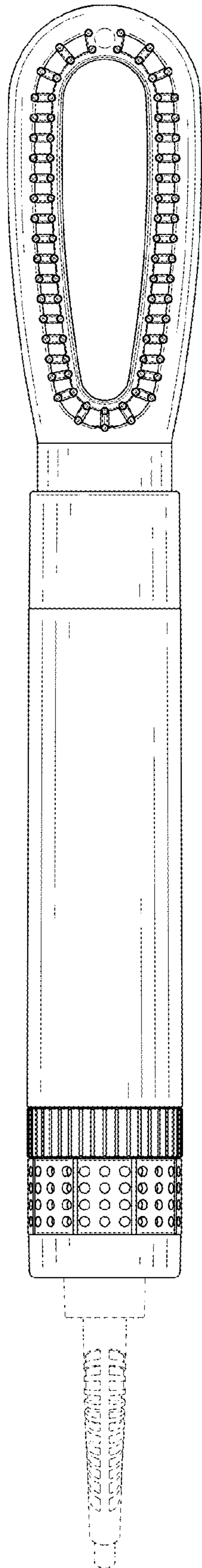


FIG. 5



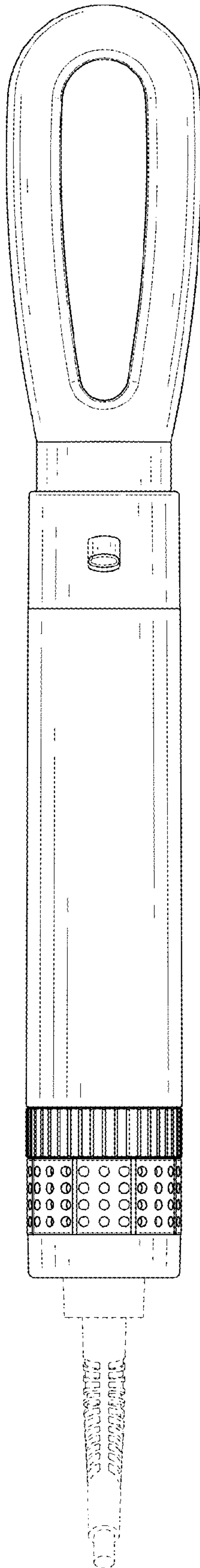


FIG. 6

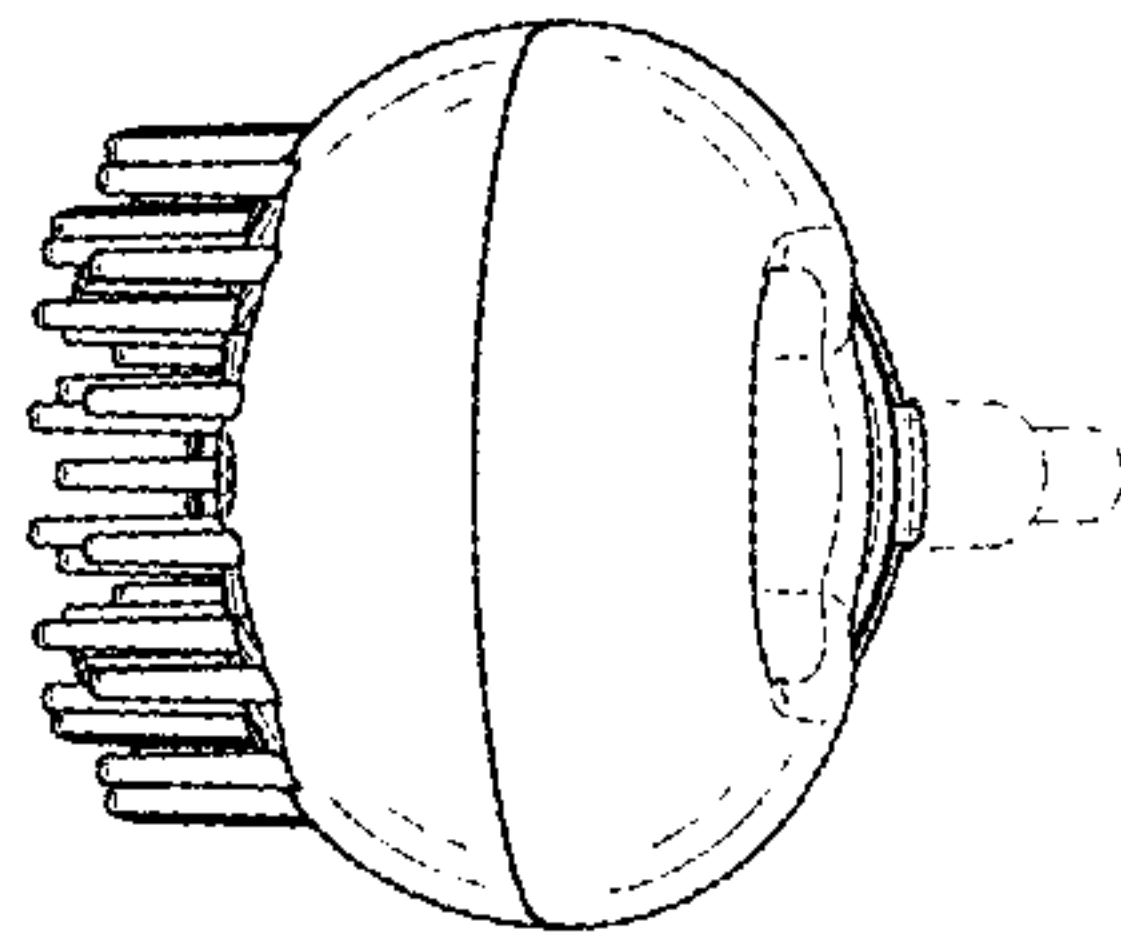


FIG. 7



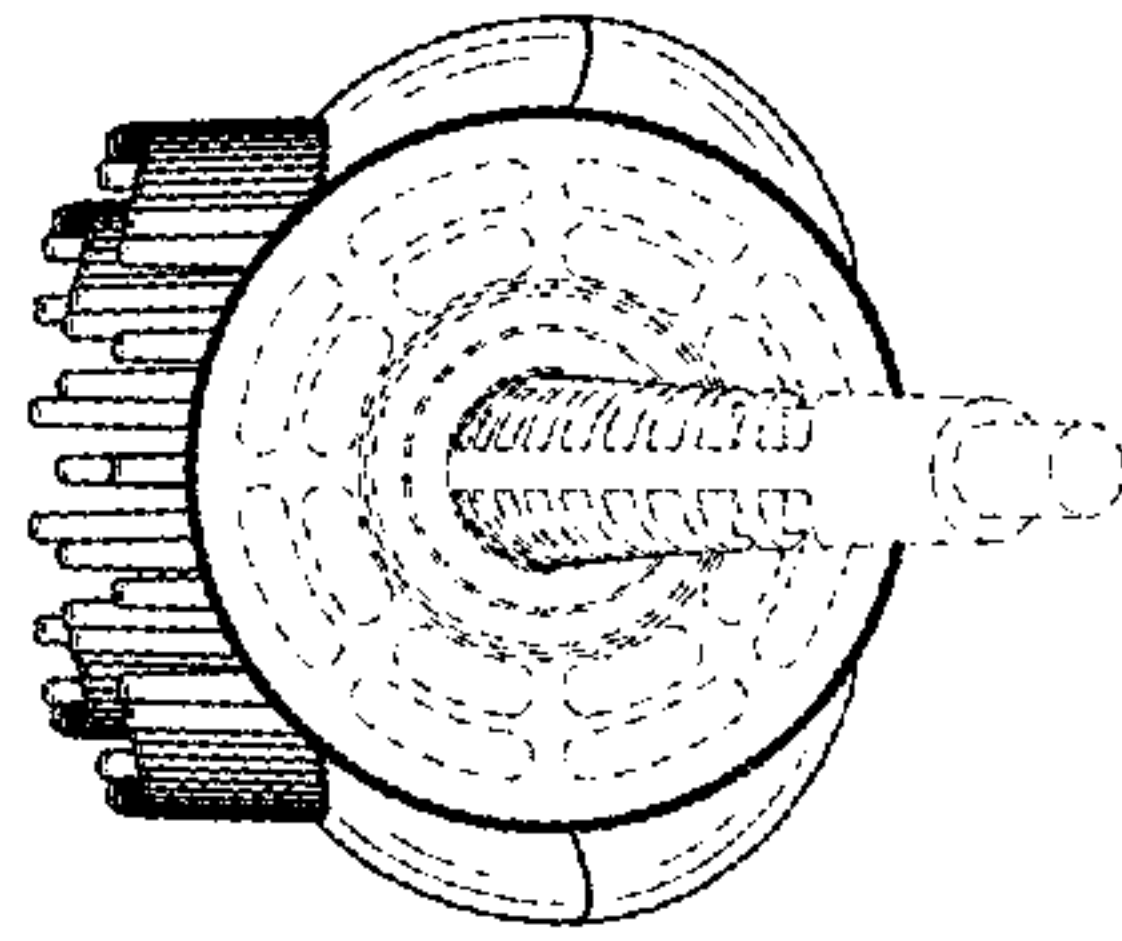


FIG. 8

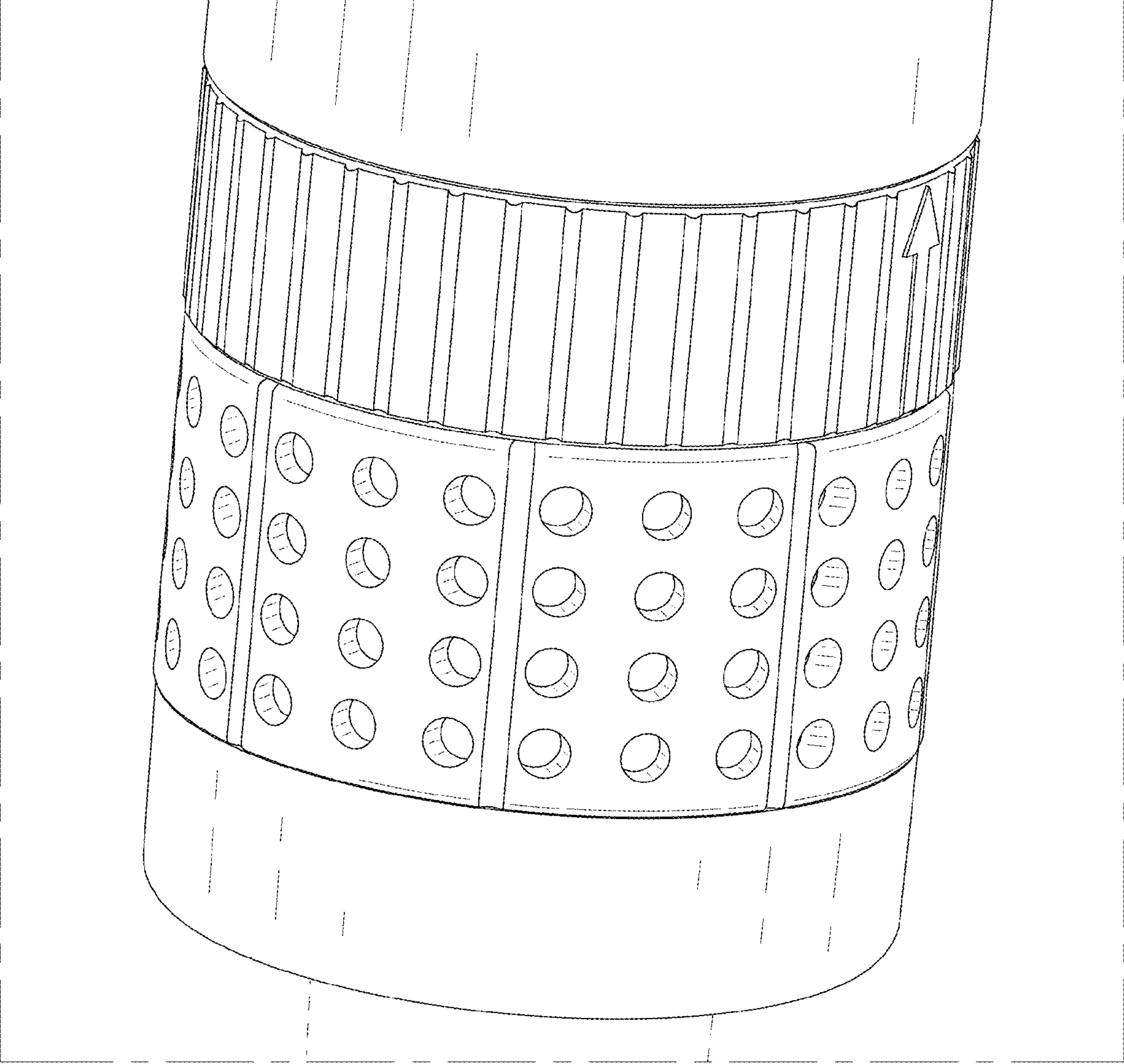


FIG. 9

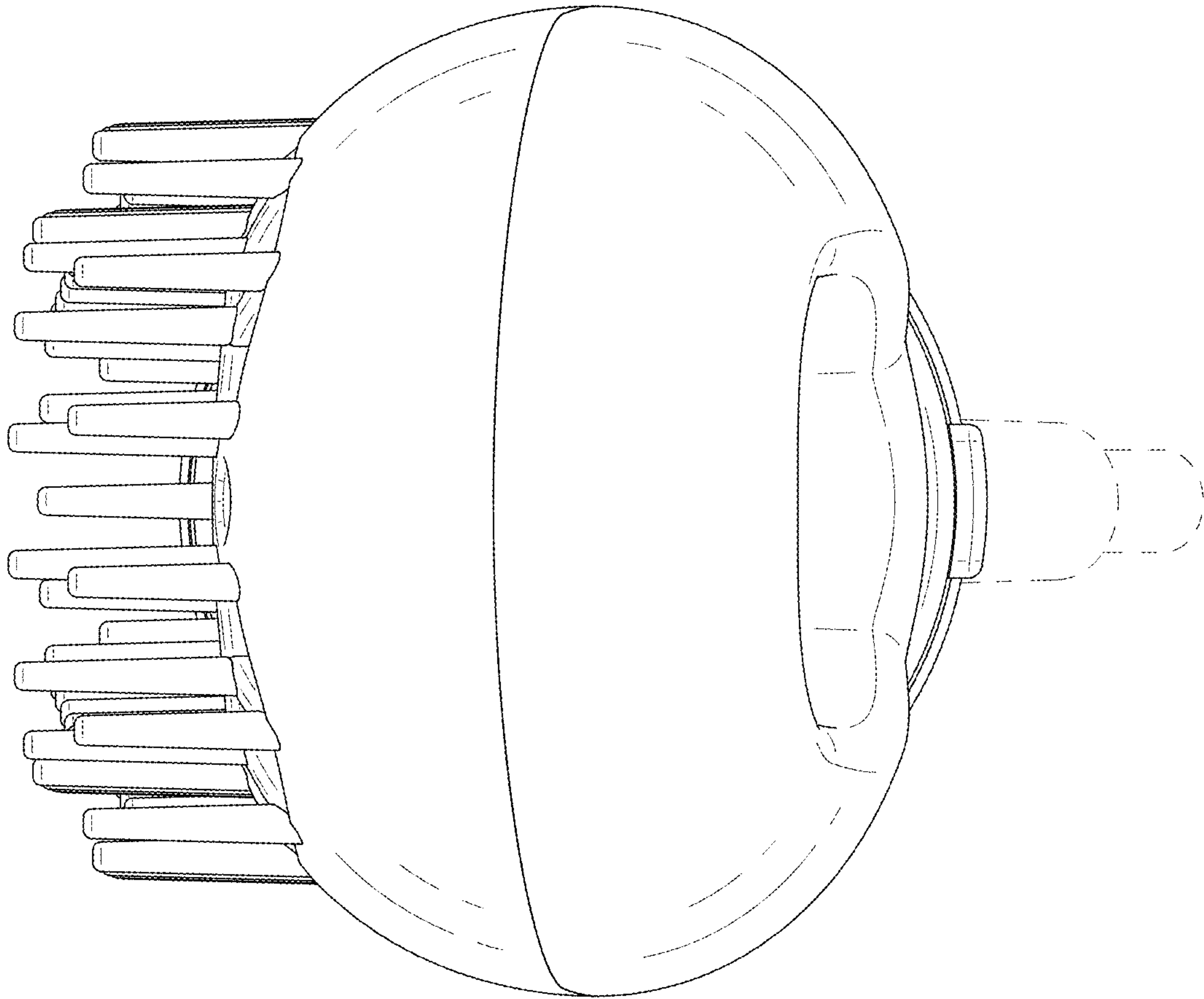


FIG. 10

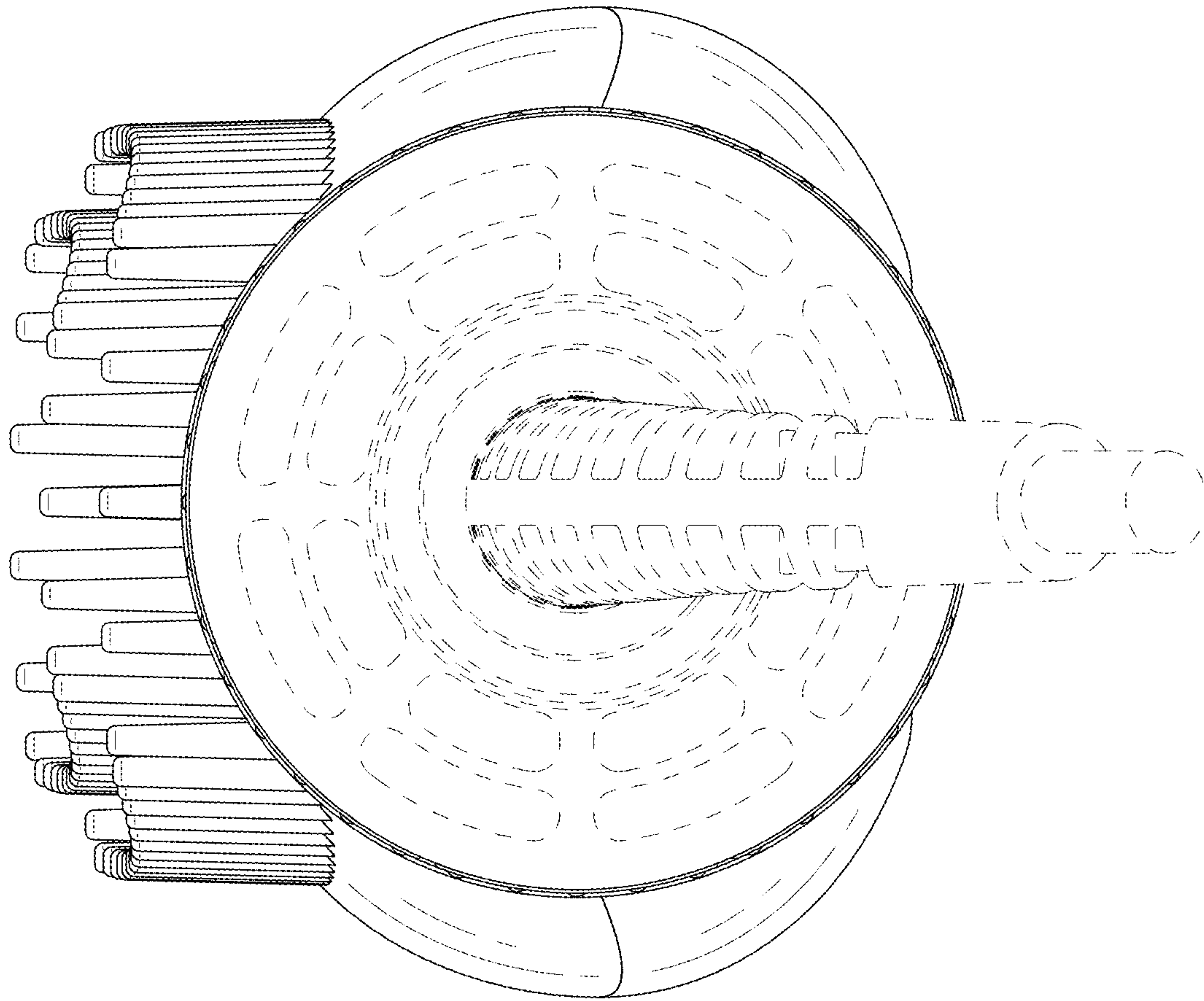


FIG. 11