



US00D890420S

(12) **United States Design Patent** (10) **Patent No.:** **US D890,420 S**
Reaux (45) **Date of Patent:** **** Jul. 14, 2020**

(54) **PADDLE FOR HOLDING A FLIGHT OF CONE SHAPED SMOKING ARTICLES**

D765,196 S * 8/2016 Bonfigli D21/731
D840,026 S * 2/2019 Candy D24/124
2016/0167042 A1* 6/2016 Tyrrell B01L 3/5023
422/402

(71) Applicant: **Brian K. Reaux**, Red Oak, TX (US)

(72) Inventor: **Brian K. Reaux**, Red Oak, TX (US)

(73) Assignee: **Brian K. Reaux**, Red Oak, TX (US)

(**) Term: **15 Years**

(21) Appl. No.: **29/620,900**

(22) Filed: **Aug. 15, 2017**

(51) **LOC (12) Cl.** **27-06**

(52) **U.S. Cl.**
USPC **D27/184**

(58) **Field of Classification Search**
USPC D27/184, 183, 172, 192; D12/215;
D21/731; 131/272, 257, 260;
D7/550.1-553.4, 701
CPC A24F 15/00; A24F 15/06; A24F 15/08
See application file for complete search history.

(56) **References Cited**

U.S. PATENT DOCUMENTS

D133,008 S * 7/1942 McCall 15/210.1
4,130,277 A * 12/1978 Marks A63B 59/80
473/527
4,379,554 A * 4/1983 Schuyler A63B 59/40
473/530
D283,588 S * 4/1986 Stuckey D7/332
D307,930 S * 5/1990 Sokol D21/731
D344,314 S * 2/1994 Malkoun D21/731
D359,780 S * 6/1995 Sokol D21/731

OTHER PUBLICATIONS

<https://www.etsy.com/listing/276892516/bloodwood-miss-rose-paddles-spanking?> Oct. 9, 2016.*

* cited by examiner

Primary Examiner — Susan Bennett Hattan

Assistant Examiner — Rebecca Tsehaye

(57) **CLAIM**

The ornamental design for a paddle for holding a flight of cone shaped smoking articles, as shown and described.

DESCRIPTION

FIG. 1 is a top plan view of a paddle for holding a flight of cone shaped smoking articles showing my new design.

FIG. 2 is a left side elevational view thereof and a right side being a mirror image;

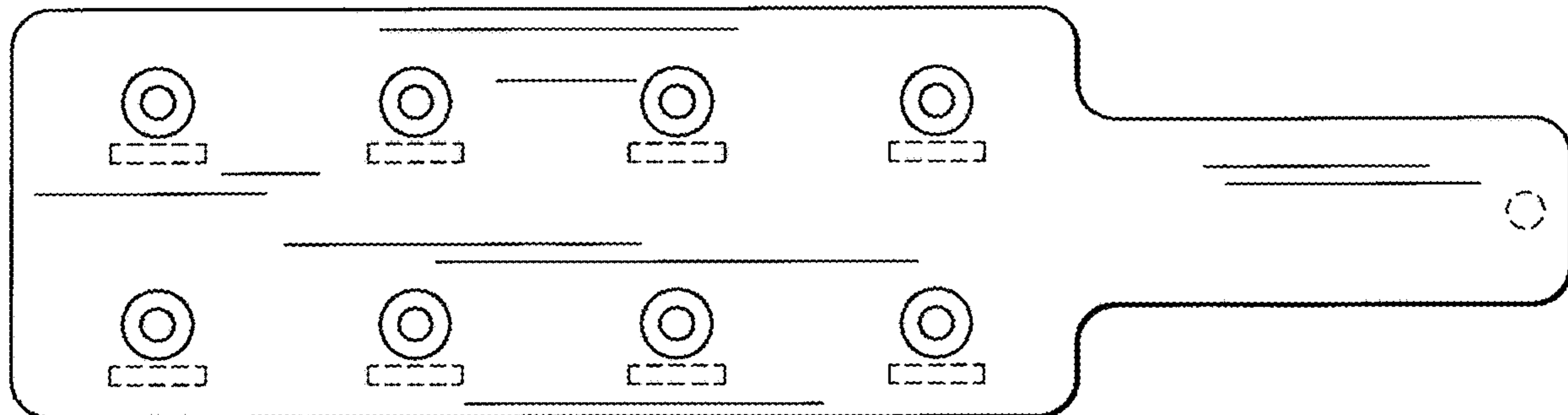
FIG. 3 is a bottom view thereof;

FIG. 4 is a left side view thereof; the right being a mirror image; and,

FIG. 5 is a perspective view thereof showing the paddle for holding a flight of cone shaped smoking articles in a state of use with cone shaped smoking articles.

The broken lines in the drawings depict portions of the paddle for holding a flight of cone shaped smoking articles that form no part of the claimed design. The additional broken lines in FIG. 5 illustrating two cone shaped smoking articles depicts environmental subject matter only and forms no part of the claimed design.

1 Claim, 2 Drawing Sheets



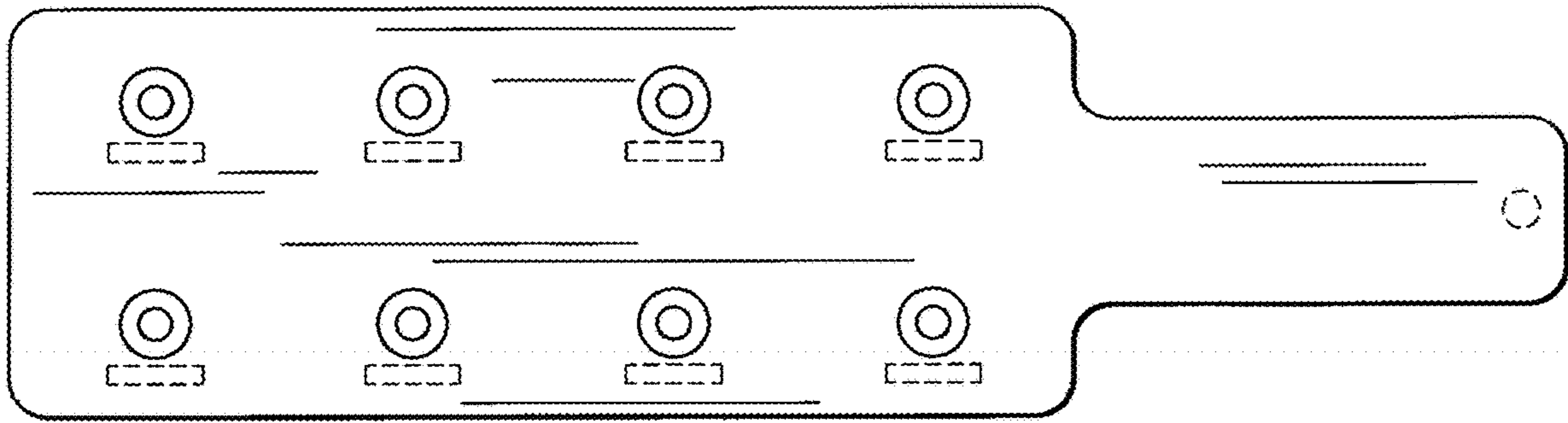


FIG. 1

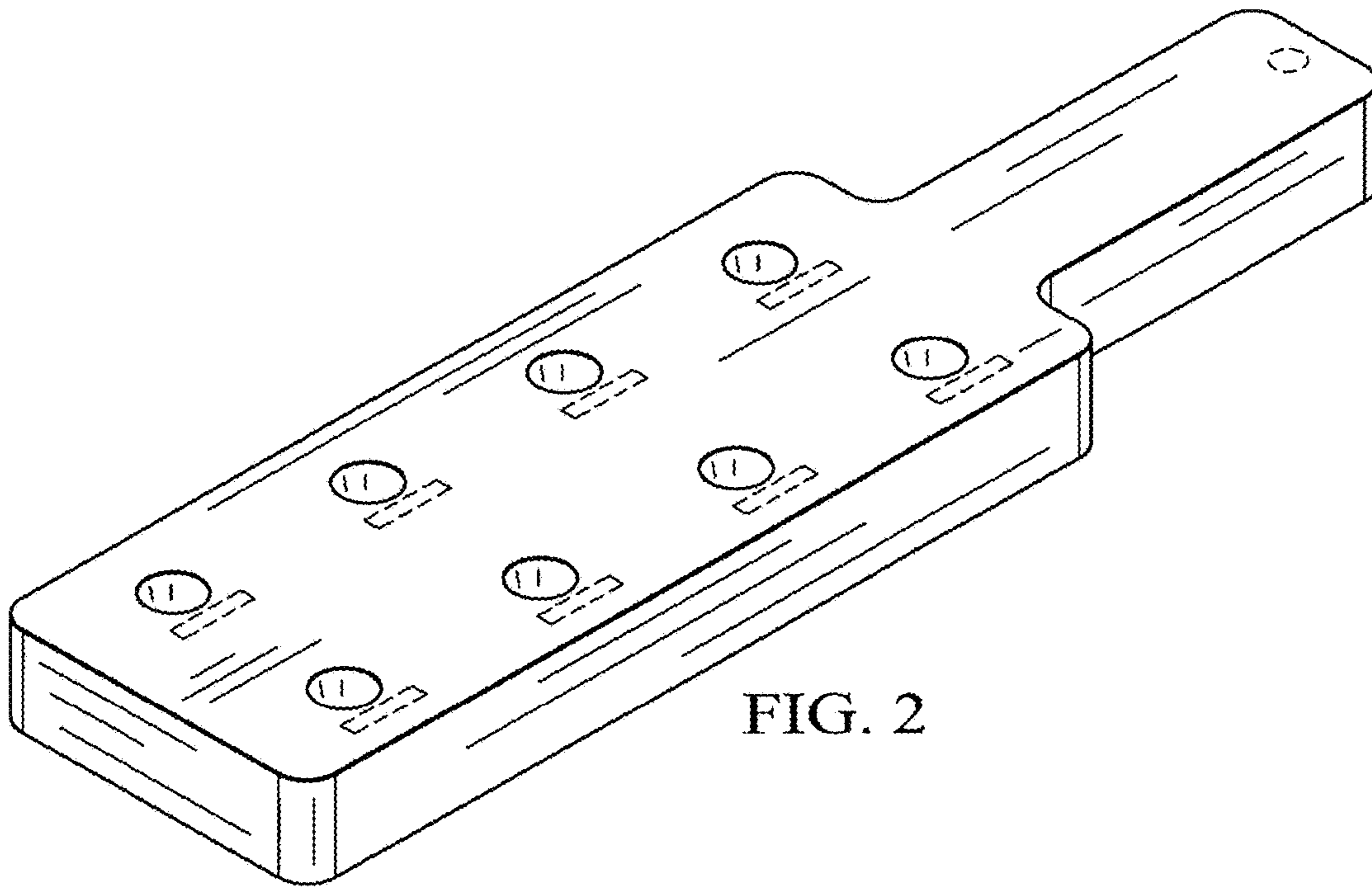


FIG. 2

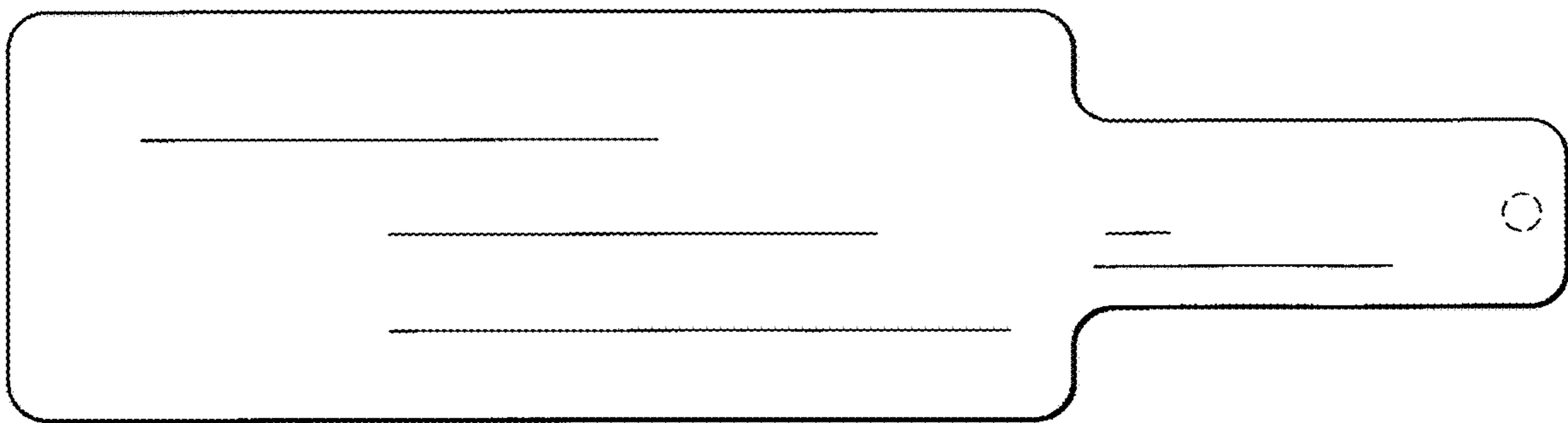


FIG. 3



FIG. 4

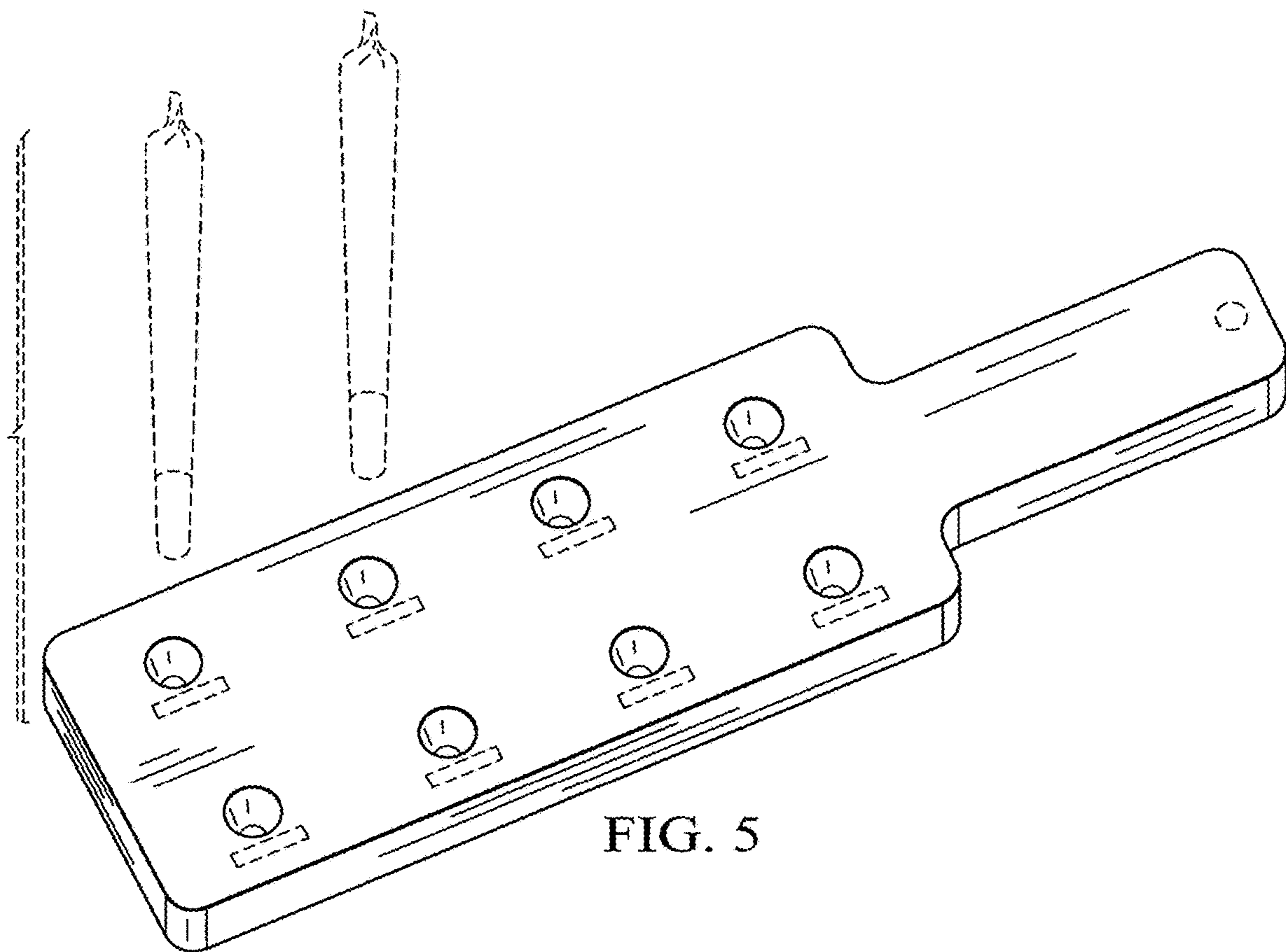


FIG. 5