

US00D890417S

(12) **United States Design Patent** (10) **Patent No.:** **US D890,417 S**
Austin et al. (45) **Date of Patent:** **** Jul. 14, 2020**

(54) **CARTRIDGE FOR ELECTRONIC CIGARETTE**
(71) Applicant: **Nerudia Limited**, Liverpool (GB)
(72) Inventors: **Andrew Austin**, Liverpool (GB);
Edward Ross Shenton, Liverpool (GB); **Tom Sudlow**, Liverpool (GB)
(73) Assignee: **Nerudia Limited** (GB)

(**) Term: **15 Years**

(21) Appl. No.: **29/661,307**

(22) Filed: **Aug. 27, 2018**

(30) **Foreign Application Priority Data**

Feb. 26, 2018 (EM) 004727006-0001

(51) **LOC (12) Cl.** **27-02**

(52) **U.S. Cl.**
USPC **D27/162**

(58) **Field of Classification Search**
USPC D27/162, 100, 101, 163, 164, 165, 172,
D27/174, 175, 176, 183, 185-194;
D24/110, 110.5; 128/202.21, 203.12;
131/273, 274, 270, 191, 328, 329, 330,
131/360-365; 141/319, 320, 295
CPC A24F 47/002; A24F 47/006; A24F 47/008;
A61M 15/00; A61M 15/06
See application file for complete search history.

(56) **References Cited**

U.S. PATENT DOCUMENTS

D323,292 S * 1/1992 Jones D9/424
D646,574 S * 10/2011 Bore D9/529
D700,397 S * 2/2014 Manca D27/189
D700,739 S * 3/2014 Manca D27/189
D737,419 S * 8/2015 Emarlou D23/360

D760,429 S * 6/2016 Emarlou D27/163
D778,494 S * 2/2017 Scott D27/189
D793,005 S * 7/2017 Scott D27/189
D801,581 S * 10/2017 Scott D27/189
D806,310 S * 12/2017 McGarry D27/101
D820,514 S * 6/2018 Durand D27/162
D824,098 S * 7/2018 Scott D27/172
D824,101 S * 7/2018 Scott D27/189
D829,371 S * 9/2018 Durand D27/101
D835,337 S * 12/2018 Beer D27/162
D837,446 S * 1/2019 Durand D27/101
D853,632 S * 7/2019 Qiu D27/101

* cited by examiner

Primary Examiner — Marissa J Cash

Assistant Examiner — Rebecca Tsehaye

(74) *Attorney, Agent, or Firm* — Brandon V. Zuniga;
James R. Gourley; Carstens & Cahoon, LLP

(57) **CLAIM**

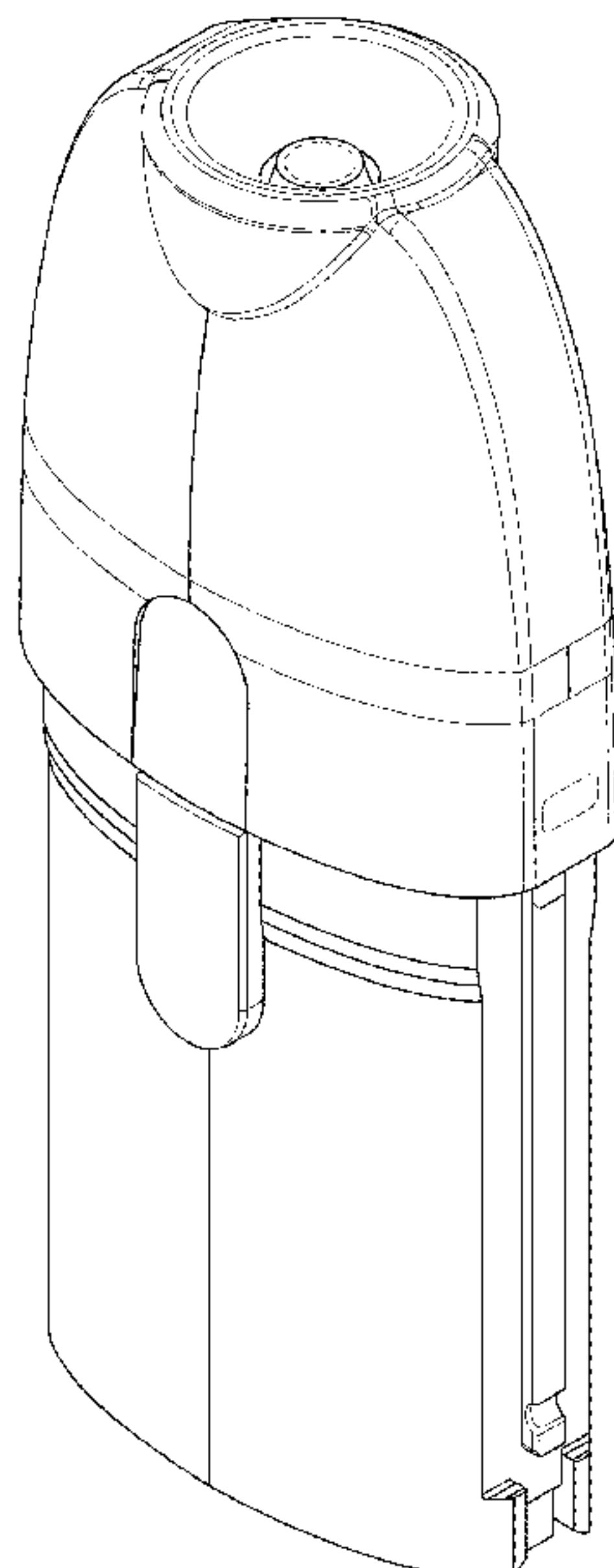
The ornamental design for a cartridge for electronic cigarette, as shown and described.

DESCRIPTION

FIG. 1 is a perspective view of a cartridge for electronic cigarette of the present design;
FIG. 2 is a right side view thereof;
FIG. 3 is a left side view thereof;
FIG. 4 is a front view thereof;
FIG. 5 is a rear view thereof;
FIG. 6 is top view thereof; and,
FIG. 7 is bottom view thereof.

In the drawings, broken lines depict portions of the cartridge for electronic cigarette that form no part of the claimed design. Additionally, in the drawings, regions that are completely enclosed by continuous broken lines depict portions of the cartridge for electronic cigarette that form no part of the claimed design.

1 Claim, 7 Drawing Sheets



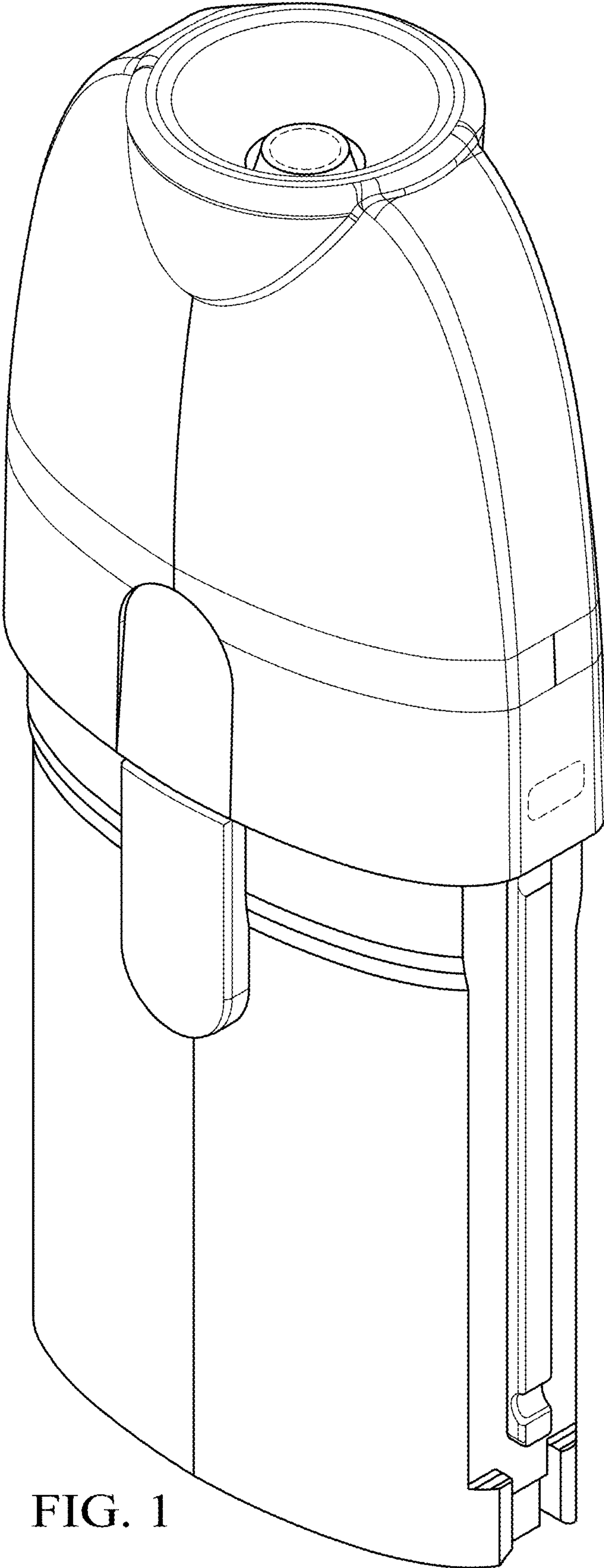


FIG. 1

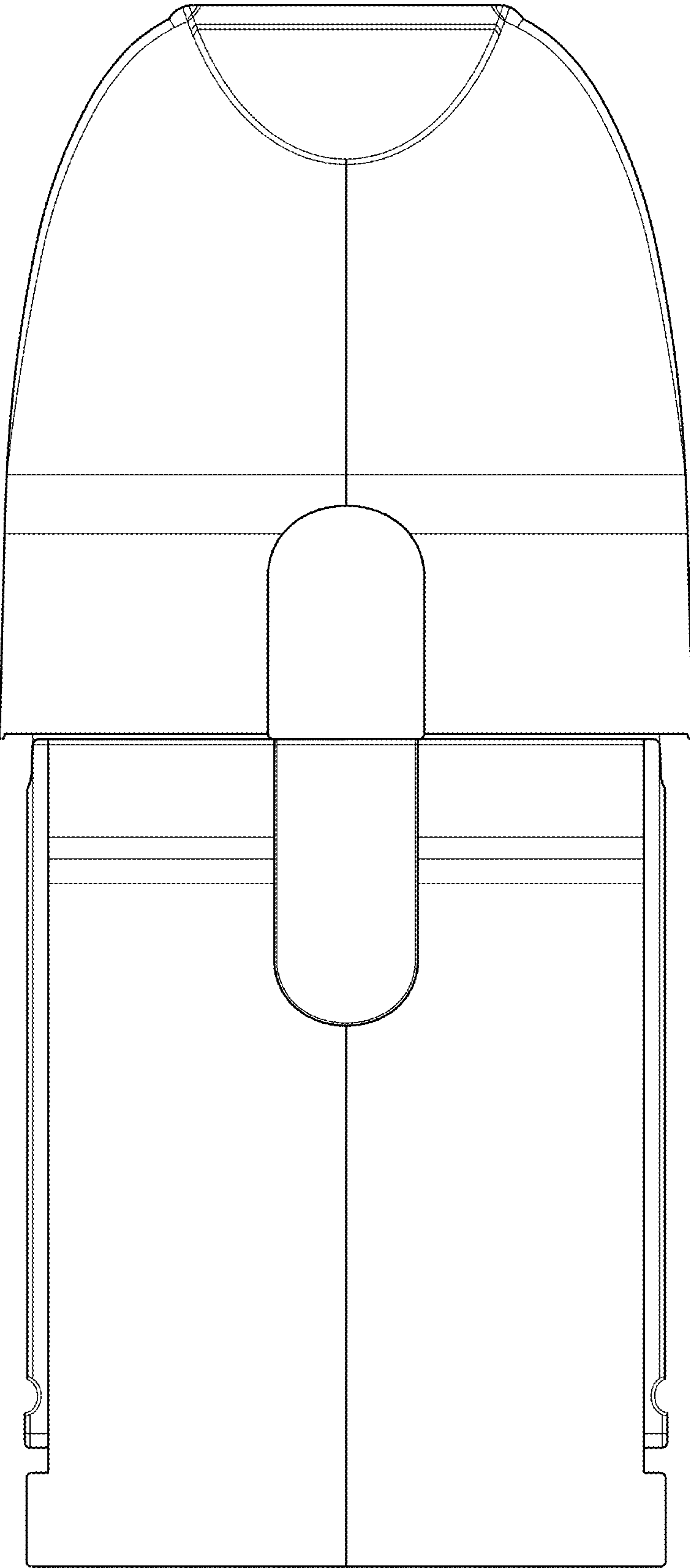


FIG. 2

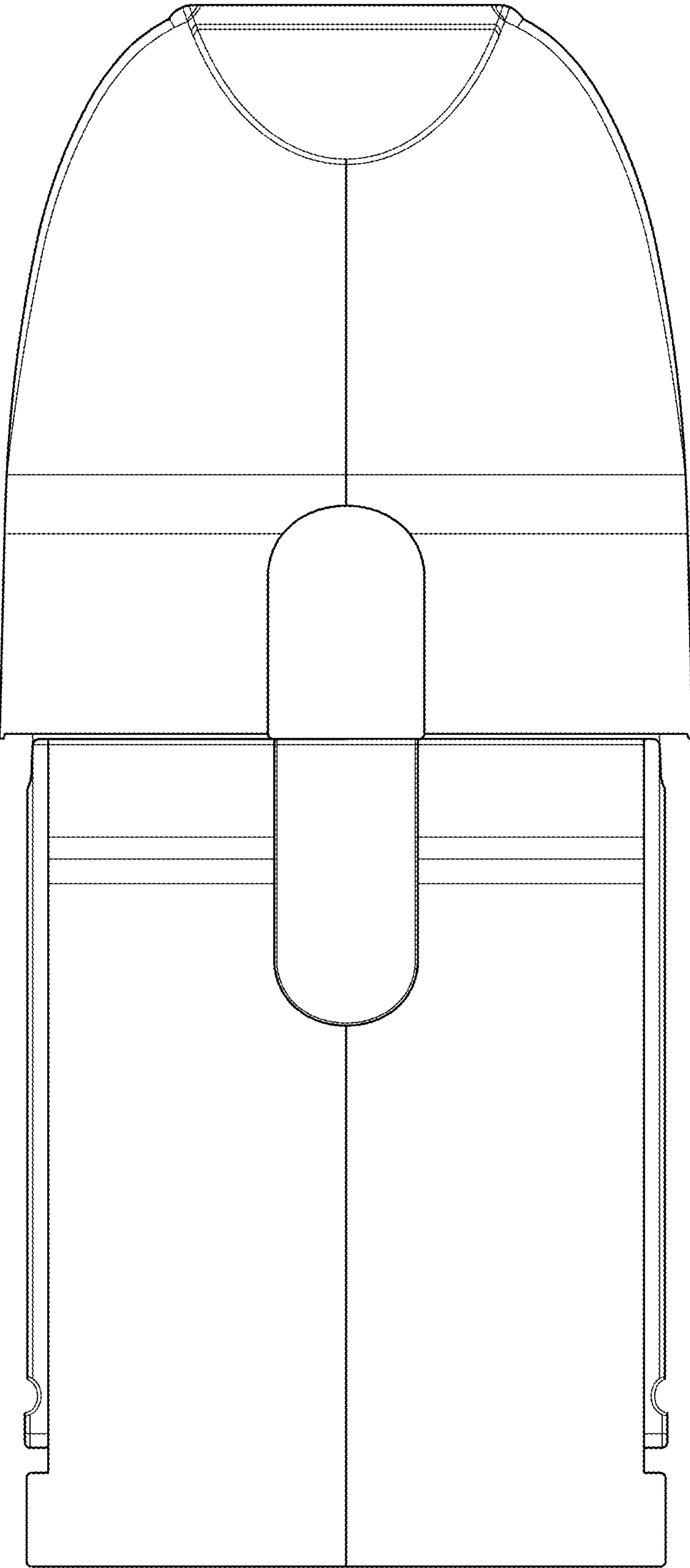


FIG. 3

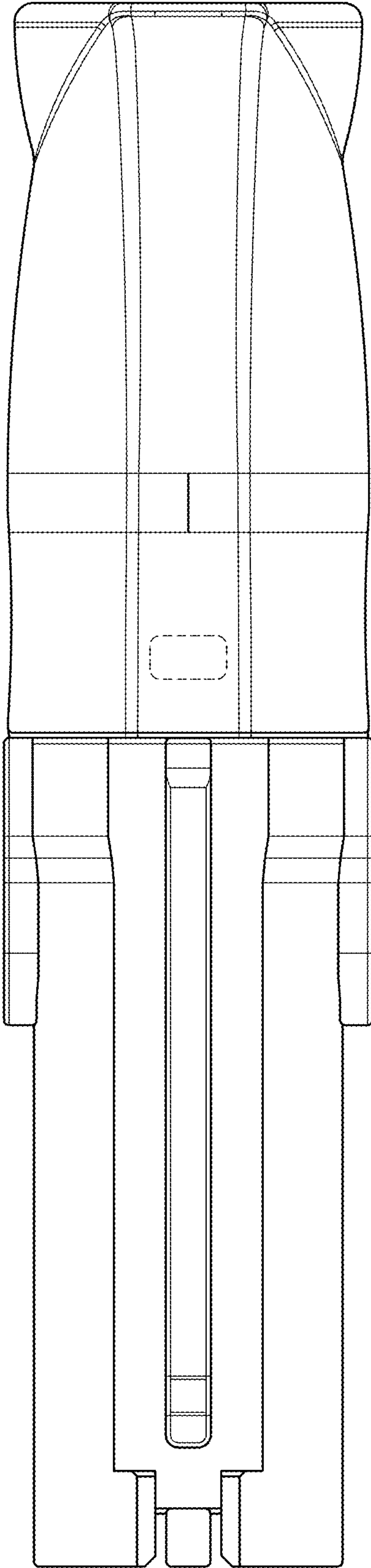


FIG. 4

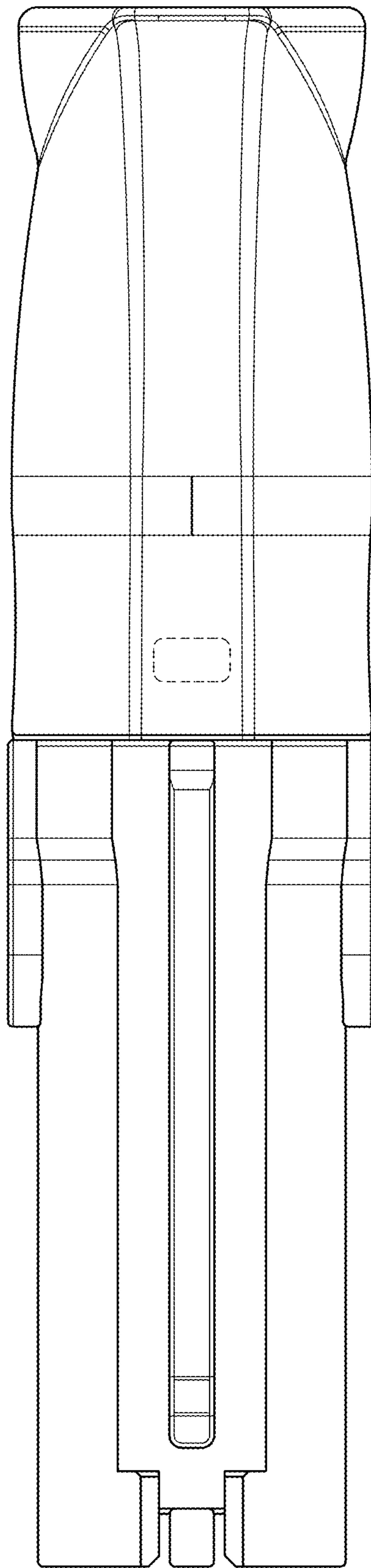


FIG. 5

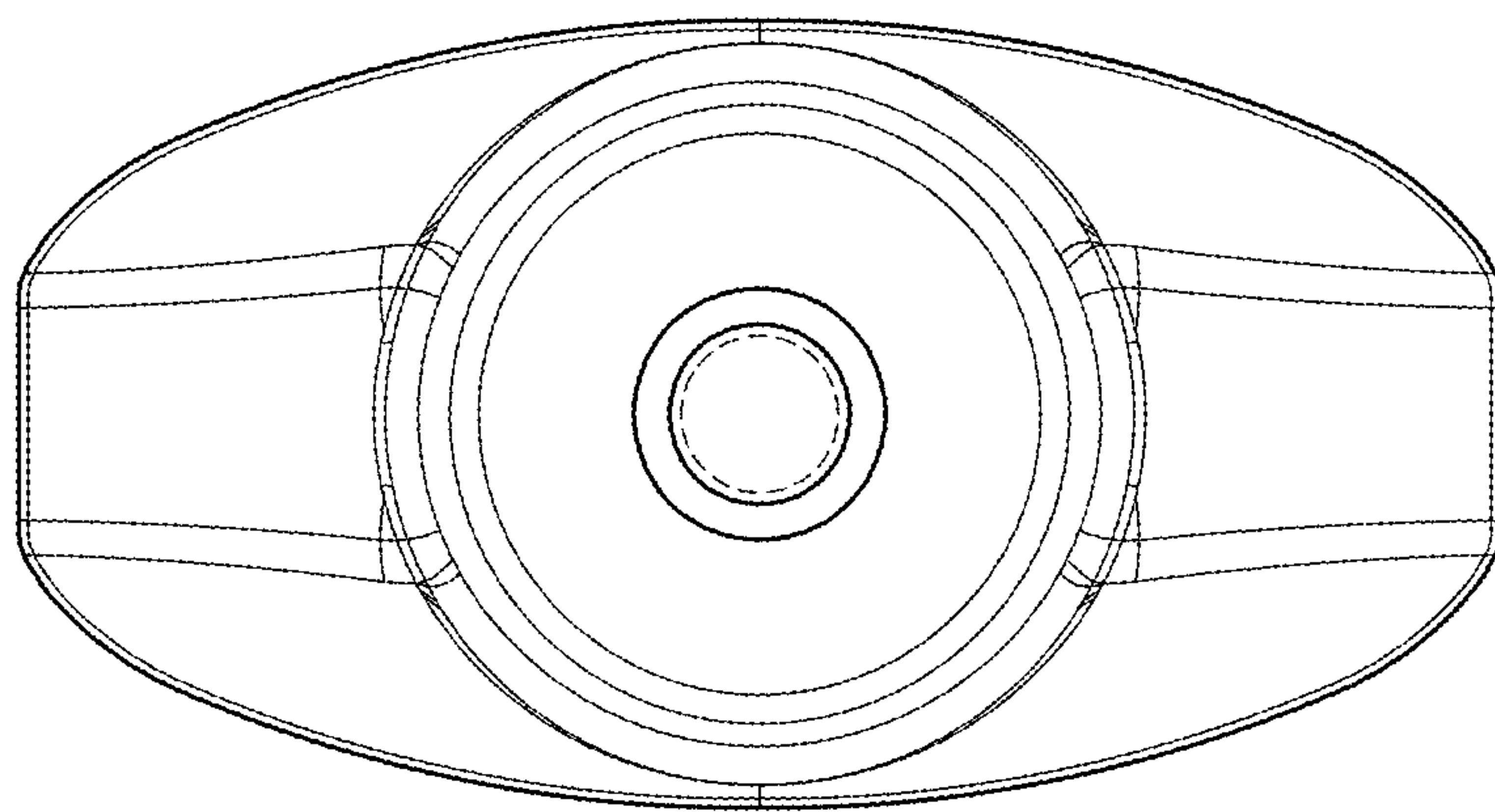


FIG. 6

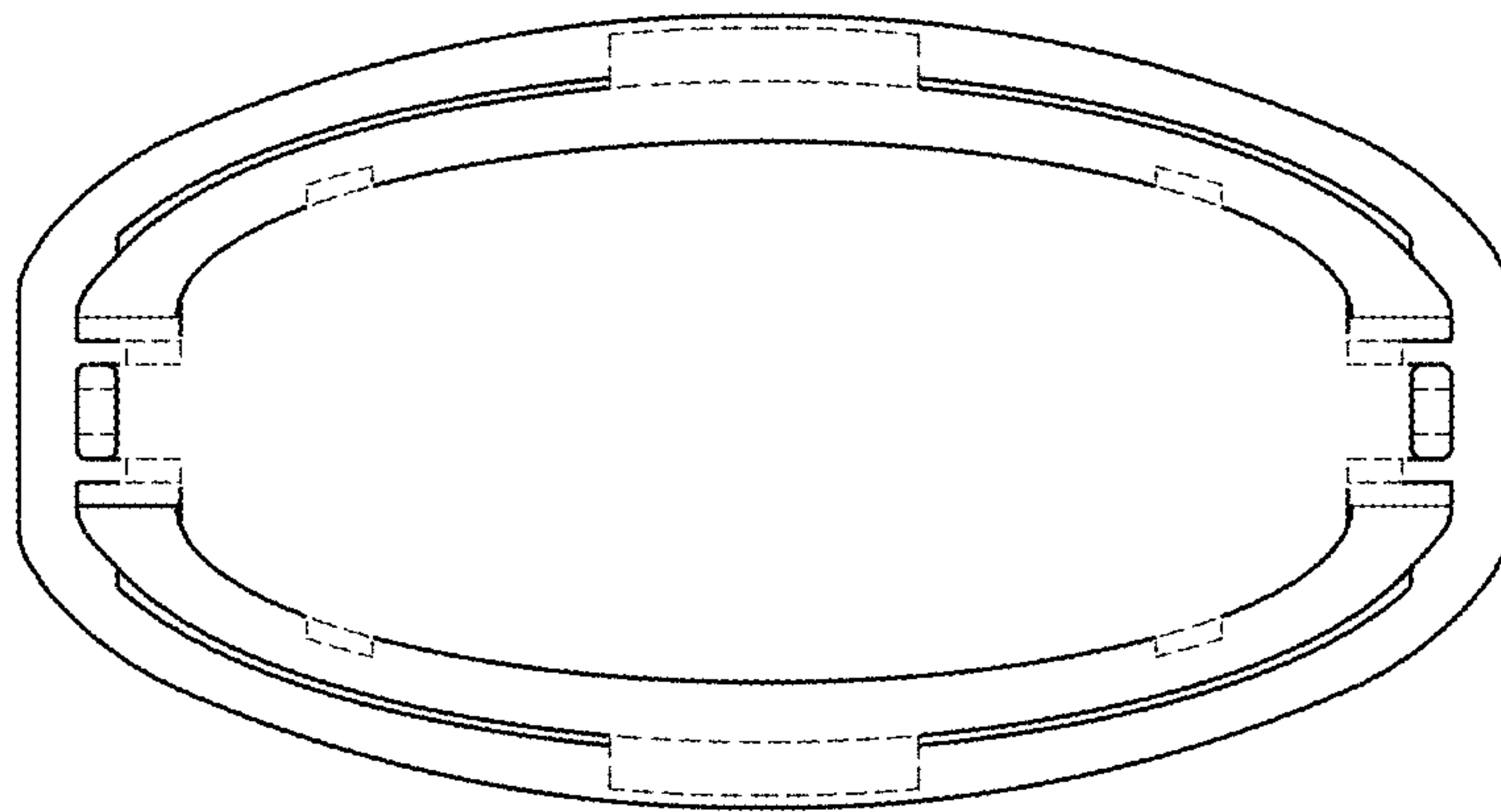


FIG. 7