



US00D890416S

(12) **United States Design Patent** (10) **Patent No.:** **US D890,416 S**  
**Ouyang** (45) **Date of Patent:** **\*\* Jul. 14, 2020**

(54) **ELECTRONIC CIGARETTE**  
(71) Applicant: **SHENZHEN IVPS TECHNOLOGY CO., LTD.**, Shenzhen, Guangdong Province (CN)  
(72) Inventor: **Junwei Ouyang**, Shenzhen (CN)  
(73) Assignee: **Shenzhen IVPS Technology Co. Ltd.**, Shenzhen, Guangdong (CN)

D819,882 S \* 6/2018 Qiu ..... D27/101  
D821,639 S \* 6/2018 Dai ..... D27/162  
D822,272 S \* 7/2018 Miller ..... D27/101  
D828,166 S \* 9/2018 Cowan-Hughes ..... D9/523  
D828,621 S \* 9/2018 Qiu ..... D27/162  
D831,269 S \* 10/2018 Qiu ..... D27/162  
D831,270 S \* 10/2018 Qiu ..... D27/162  
D832,501 S \* 10/2018 Qiu ..... D27/162  
D835,839 S \* 12/2018 Xu ..... D27/162  
D836,242 S \* 12/2018 Xu ..... D27/162  
D844,232 S \* 3/2019 Qiu ..... D27/163  
D854,236 S \* 7/2019 Qiu ..... D27/101

(\*\*) Term: **15 Years**

**OTHER PUBLICATIONS**

(21) Appl. No.: **29/658,163**

<https://blogs.biomedcentral.com/on-medicine/2016/05/31/wntd-e-cigarettes/> May 31, 2016.\*

(22) Filed: **Jul. 29, 2018**

\* cited by examiner

(30) **Foreign Application Priority Data**

Jan. 29, 2018 (CN) ..... 2018 3 0040722

(51) **LOC (12) Cl.** ..... **27-02**

(52) **U.S. Cl.**  
USPC ..... **D27/162**

(58) **Field of Classification Search**  
USPC ..... D27/100, 101, 108, 163-165, 167, 169, D27/170, 171, 172, 174, 175, 183, D27/185-192, 194; D9/516, 522, 523; D24/110, 100.5; 128/202.21, 203.12; 131/191, 330, 329, 360-365, 273, 270  
CPC ..... A24F 1/30; A24F 1/02; A24F 1/00; A24F 47/008; A24F 47/002; A61M 15/00; A61M 15/06  
See application file for complete search history.

*Primary Examiner* — Marissa J Cash  
*Assistant Examiner* — Rebecca Tsehaye  
(74) *Attorney, Agent, or Firm* — IP-PAL Patent US; Klaus Michael Schmid

(57) **CLAIM**

The ornamental design for an electronic cigarette, as shown and described.

**DESCRIPTION**

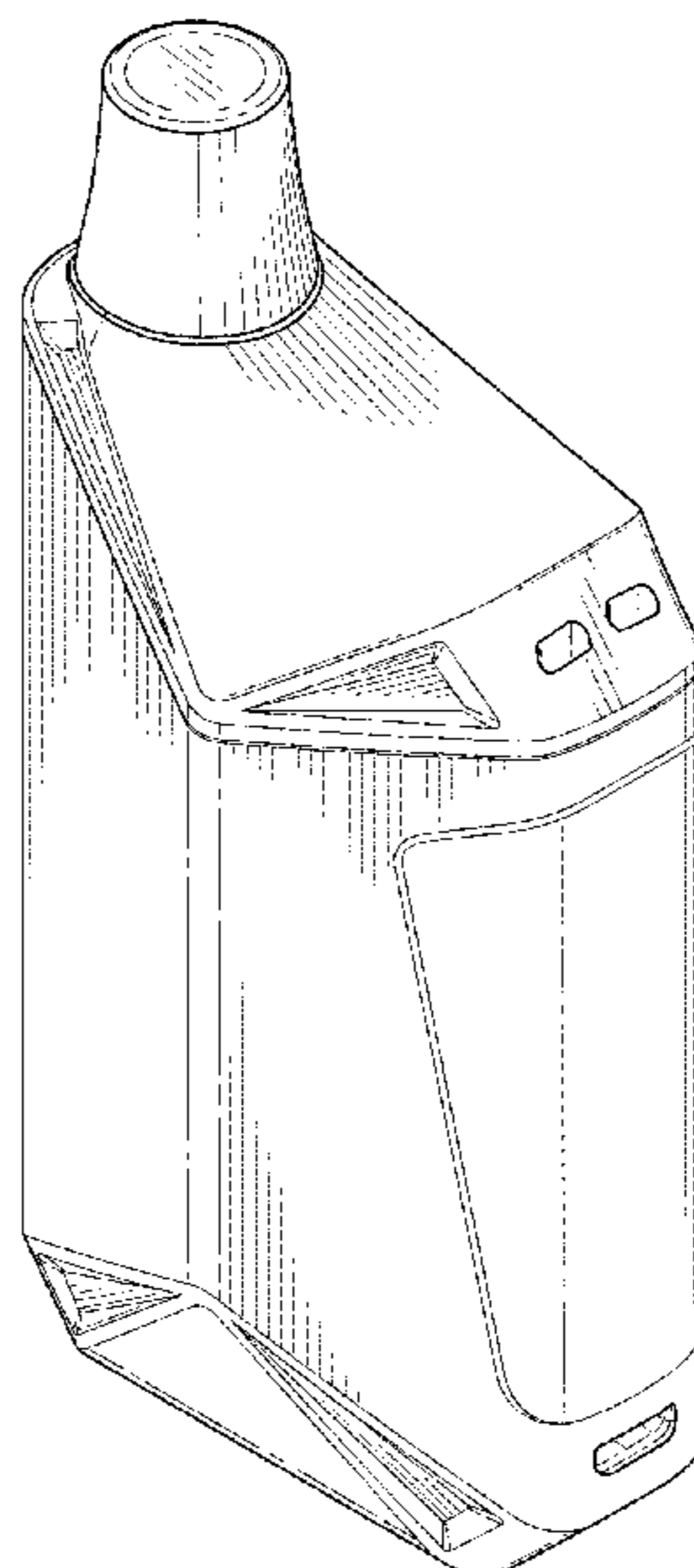
FIG. 1 is a perspective rear View of an electronic cigarette; FIG. 2 is a front View thereof; FIG. 3 is a rear View thereof; FIG. 4 is a top View thereof; FIG. 5 is a bottom View thereof; FIG. 6 is a left side View thereof; FIG. 7 is a right side View thereof; and, FIG. 8 is a perspective front View thereof. The broken lines in the drawings depict portions of the electronic cigarette that form no part of the claimed design.

(56) **References Cited**

**U.S. PATENT DOCUMENTS**

D778,163 S \* 2/2017 Dilley ..... D9/523  
D799,111 S \* 10/2017 Qiu ..... D27/101  
D807,576 S \* 1/2018 Liu ..... D27/163  
D819,880 S \* 6/2018 Qiu ..... D27/101

**1 Claim, 8 Drawing Sheets**



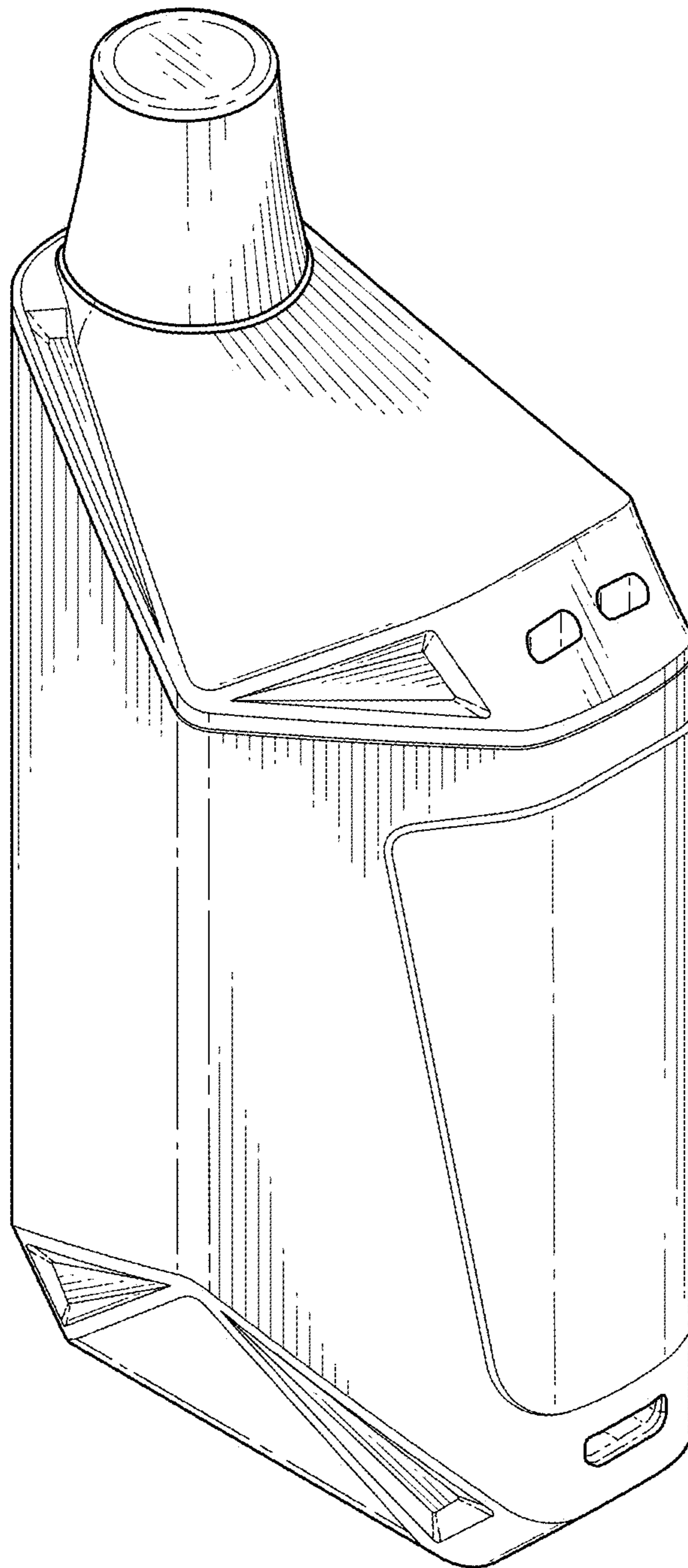


FIG. 1

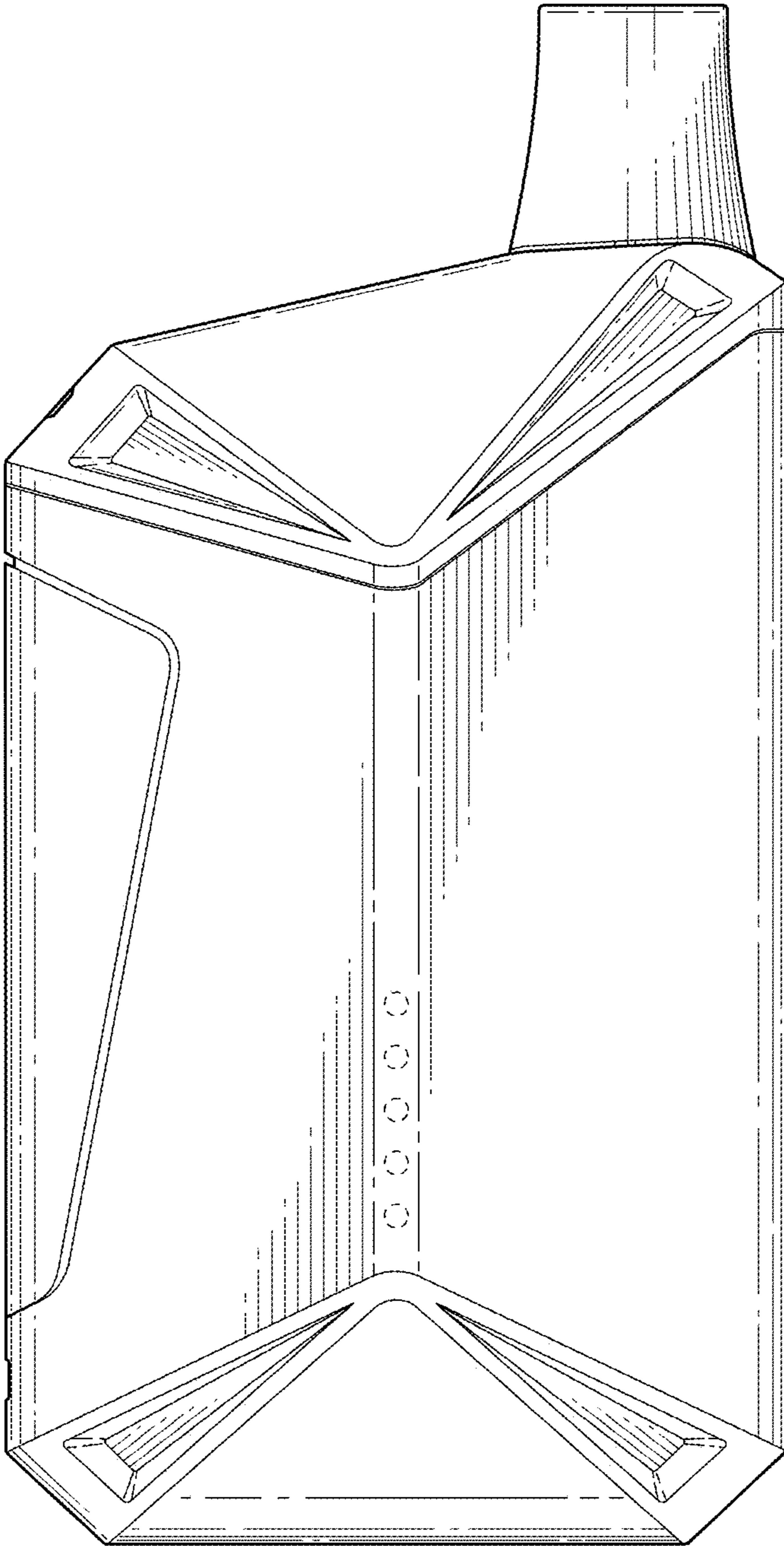


FIG. 2

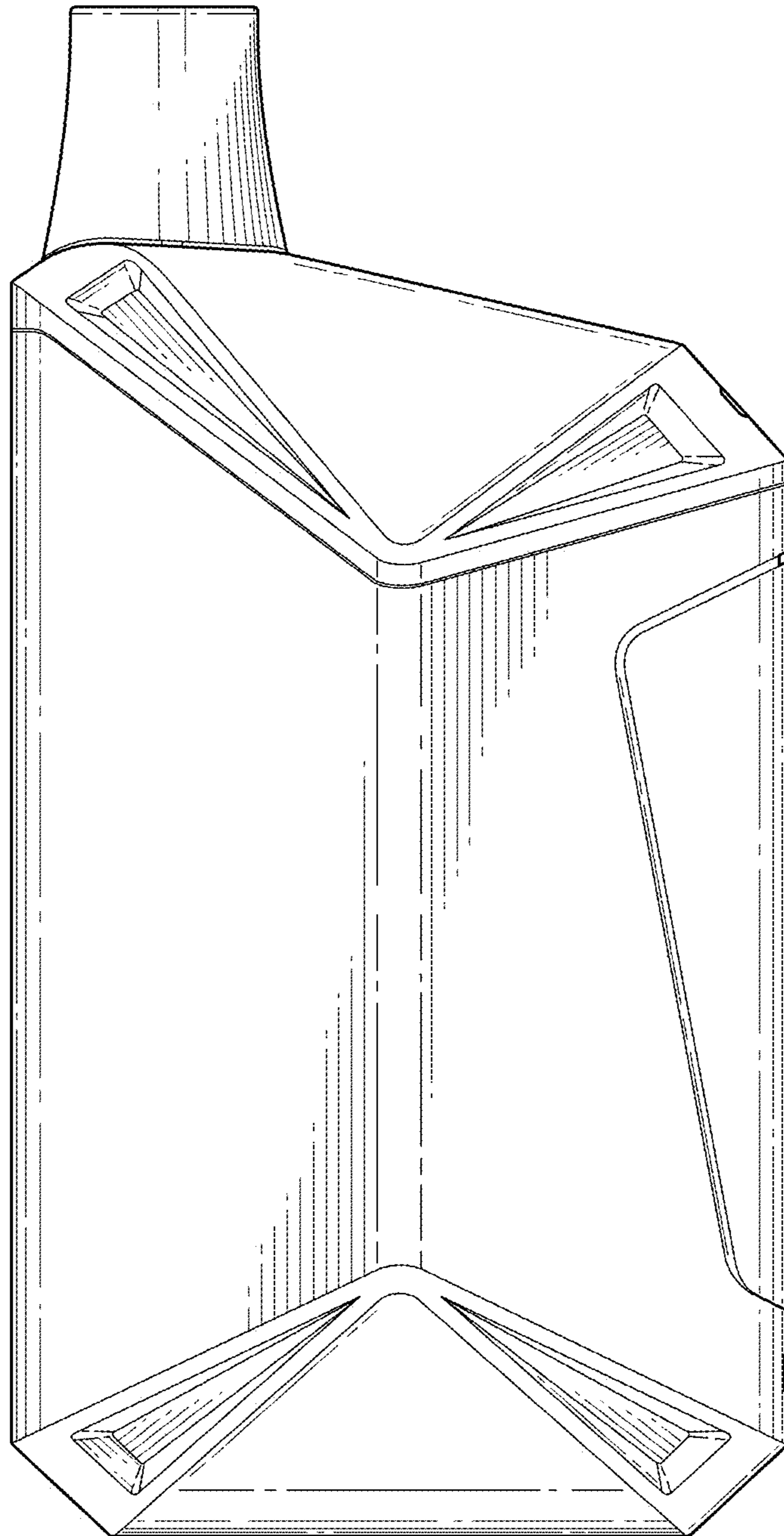


FIG. 3

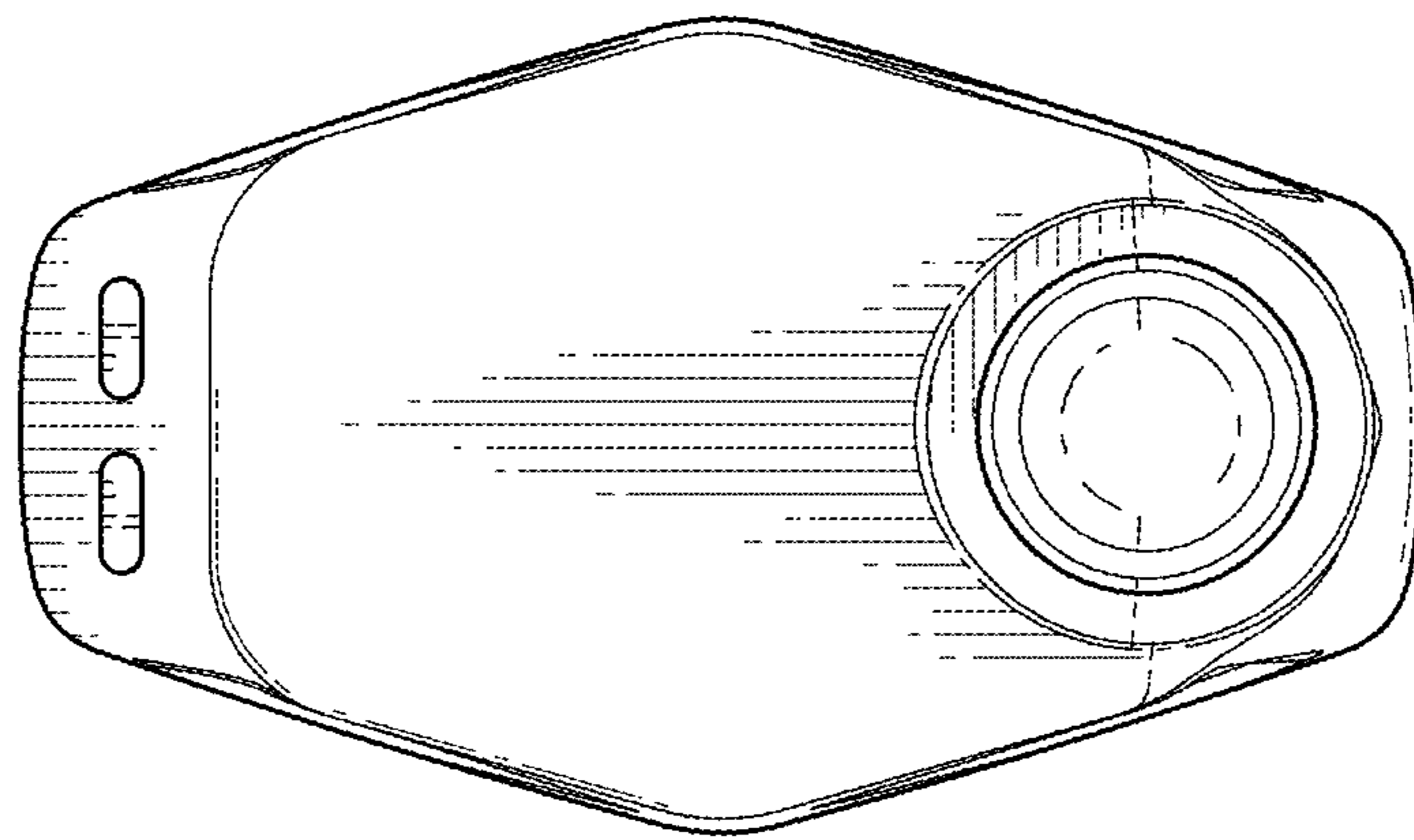


FIG. 4

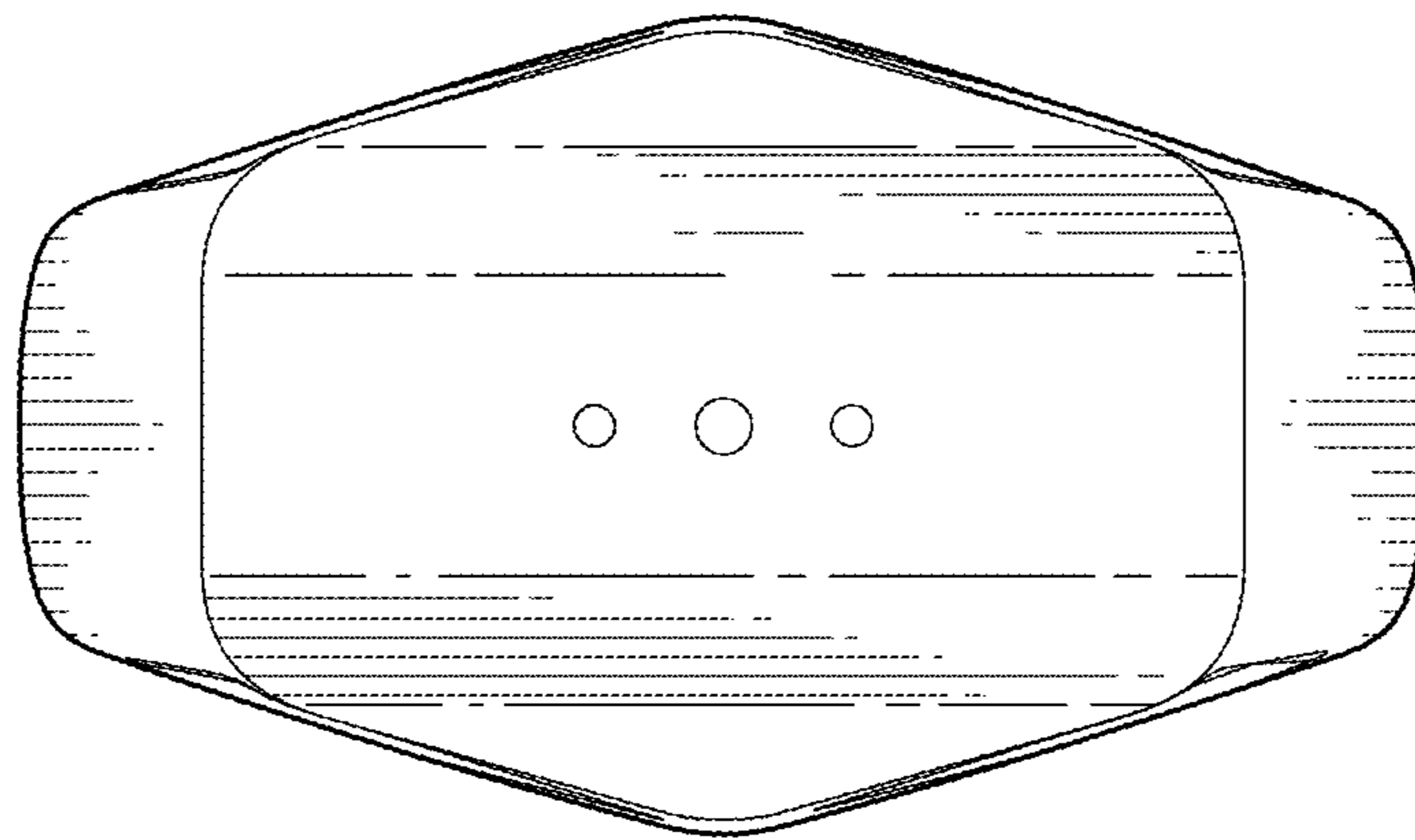


FIG. 5

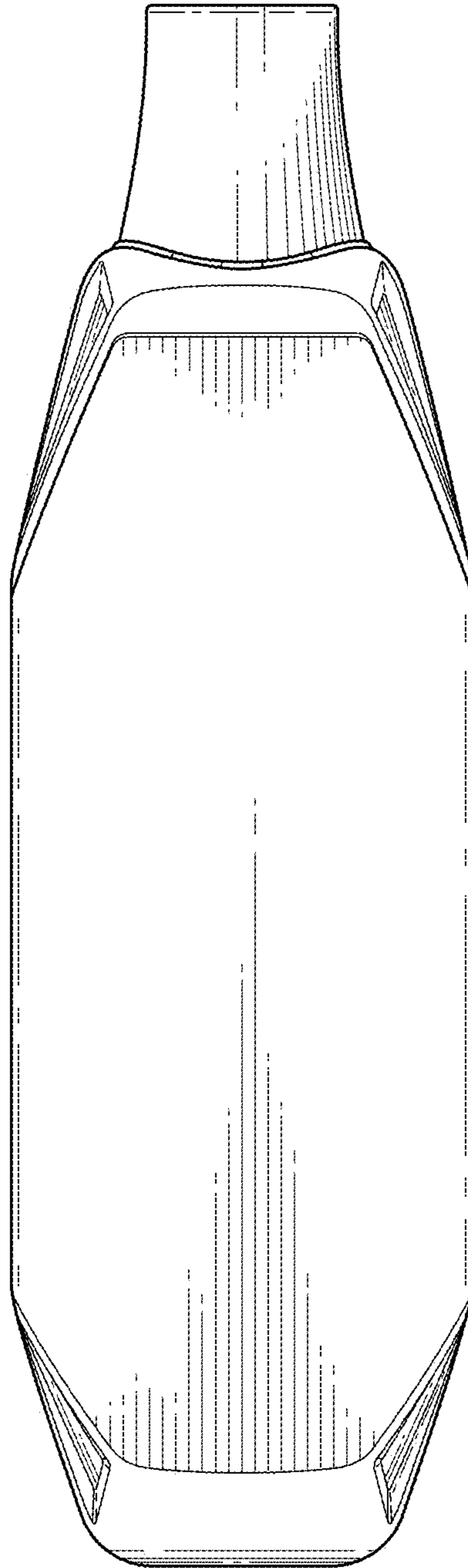


FIG. 6

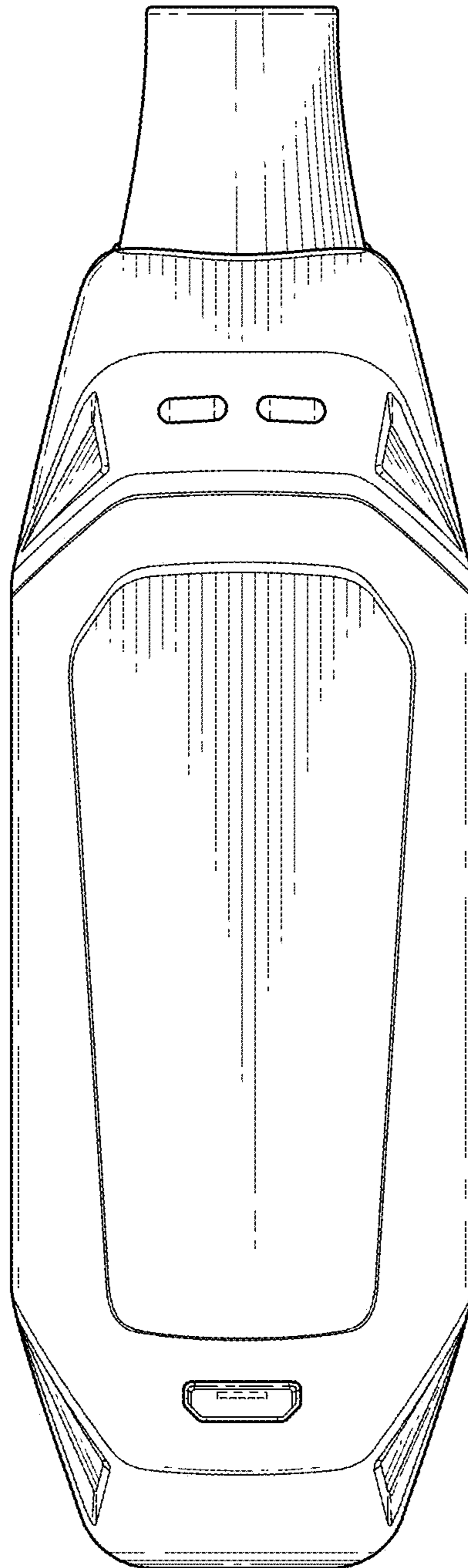


FIG. 7



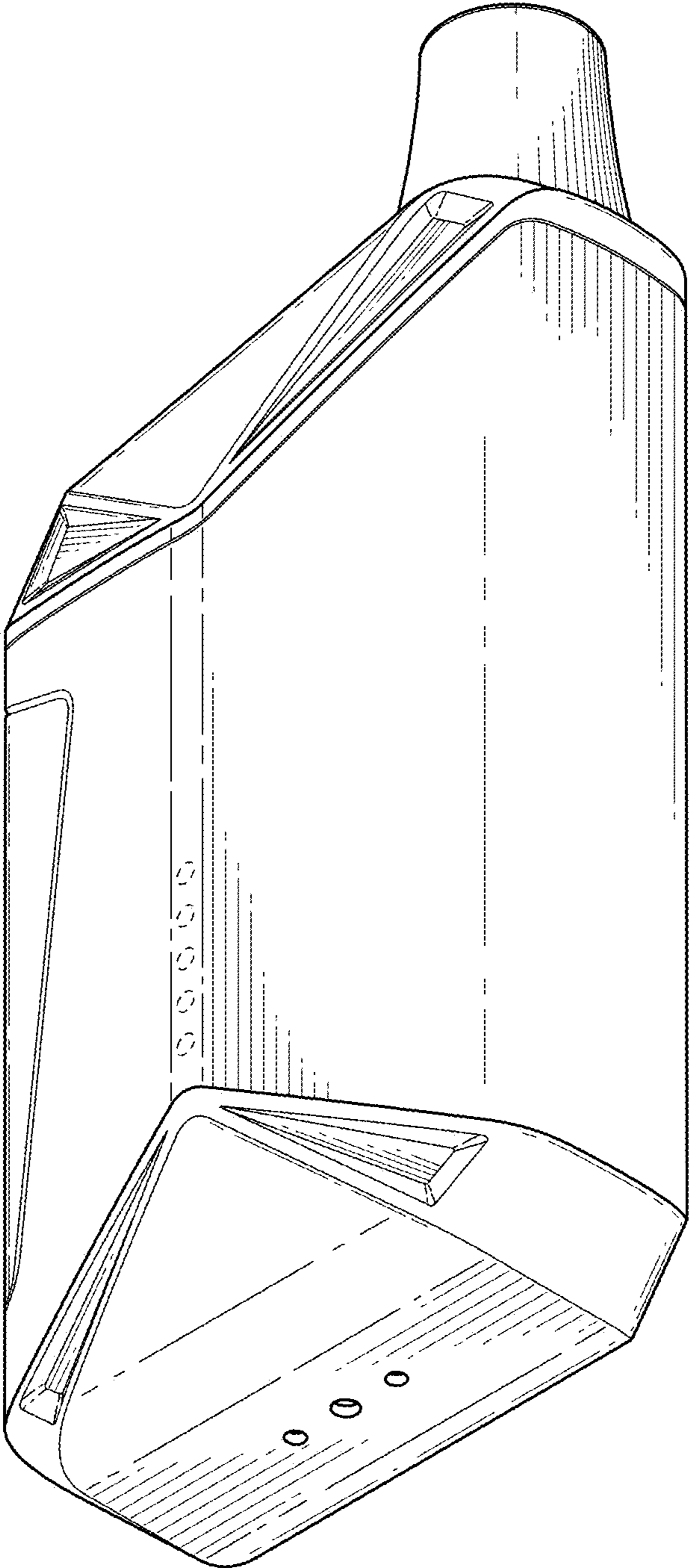


FIG. 8