



US00D890415S

(12) **United States Design Patent**  
**Luo**

(10) **Patent No.:** **US D890,415 S**  
(45) **Date of Patent:** **\*\* Jul. 14, 2020**

(54) **LIGHTER**

(71) Applicant: **Arrow Lighter, Inc.**, City of Industry,  
CA (US)

(72) Inventor: **Zhuowen Luo**, City of Industry, CA  
(US)

(\*\*) Term: **15 Years**

(21) Appl. No.: **29/673,555**

(22) Filed: **Dec. 14, 2018**

(51) **LOC (12) Cl.** ..... **27-05**

(52) **U.S. Cl.**  
USPC ..... **D27/141**

(58) **Field of Classification Search**  
USPC ..... D27/141, 139, 142, 147, 148, 152, 154,  
D27/159, 160; D7/416, 417; D21/567,  
D21/573-576; D22/104  
CPC ... F23Q 2/00; F23Q 2/16; F23Q 2/164; F23Q  
2/167  
See application file for complete search history.

(56) **References Cited**

**U.S. PATENT DOCUMENTS**

D377,736 S *	2/1997	Iwagaki	.....	D7/416
D421,876 S *	3/2000	Hsu	.....	D7/416
D435,397 S *	12/2000	Sung	.....	D7/416
D440,821 S *	4/2001	Yu	.....	D7/416
D473,103 S *	4/2003	Sung	.....	D7/416
D477,748 S *	7/2003	Deffner	.....	D7/416
D482,932 S *	12/2003	Sher	.....	D7/416

D510,841 S *	10/2005	Hsu	.....	D7/416
D564,839 S *	3/2008	Wang	.....	D7/416
D618,058 S *	6/2010	Tao	.....	D7/416
D665,226 S *	8/2012	Luo	.....	D7/416
D729,574 S *	5/2015	Hu	.....	D7/416
D729,575 S *	5/2015	Hu	.....	D7/416
D759,298 S *	6/2016	Ichikawa	.....	D27/141
D835,336 S *	12/2018	Luo	.....	D27/154
D851,453 S *	6/2019	Luo	.....	D7/416

\* cited by examiner

*Primary Examiner* — Marissa J Cash  
*Assistant Examiner* — Rebecca Tsehaye  
(74) *Attorney, Agent, or Firm* — Tsz Lung Yeung

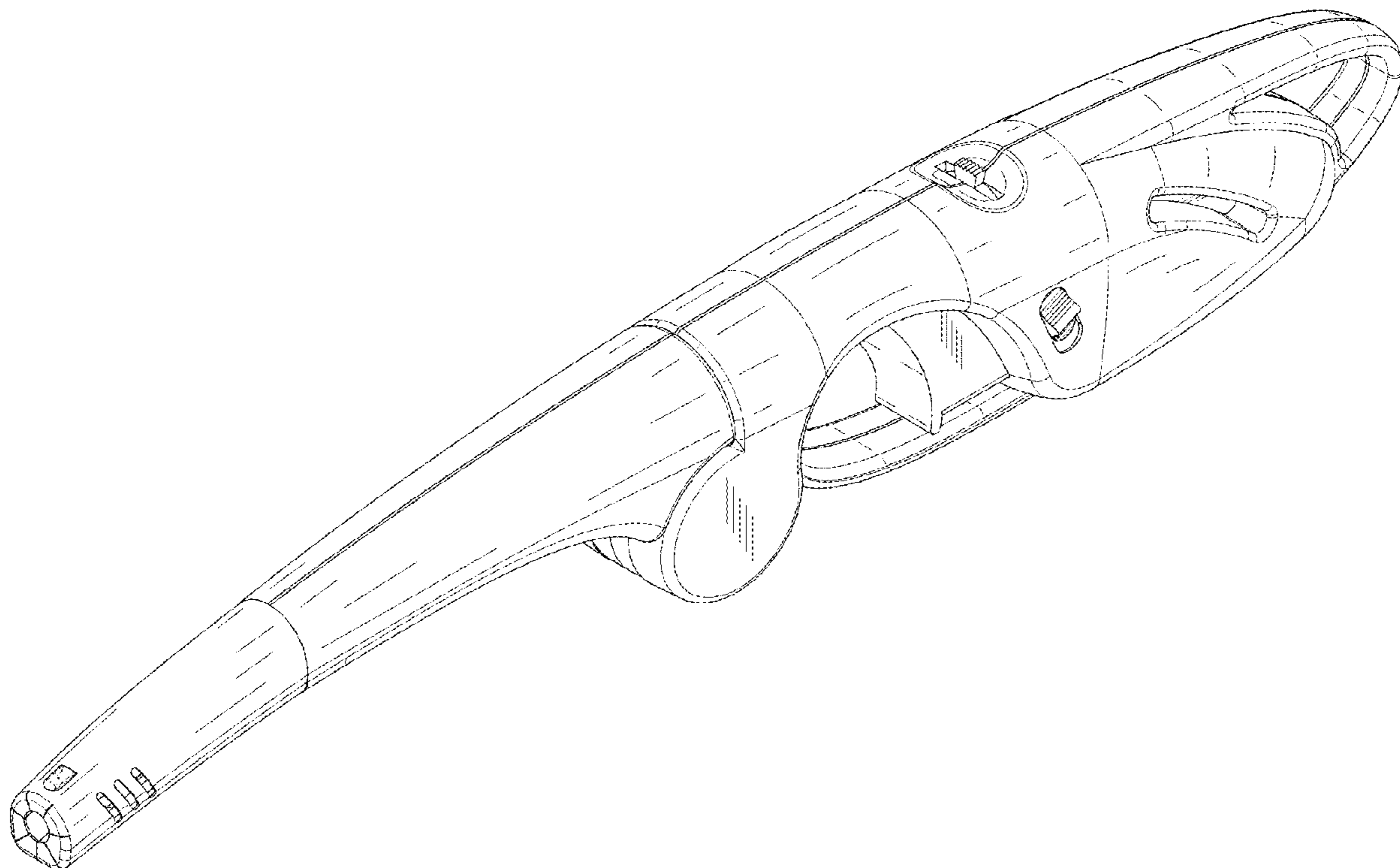
(57) **CLAIM**

The ornamental design for a lighter, as shown and described.

**DESCRIPTION**

FIG. 1 is a perspective view of a lighter showing my new design;  
FIG. 2 is an enlarged front view thereof;  
FIG. 3 is an enlarged rear view thereof;  
FIG. 4 is a right side view thereof;  
FIG. 5 is a left side view thereof;  
FIG. 6 is a top view thereof;  
FIG. 7 is a bottom view thereof; and,  
FIG. 8 is a perspective view thereof, shown in a folded position.  
The broken lines in the drawings depict portions of the lighter that form no part of the claimed design.

**1 Claim, 7 Drawing Sheets**



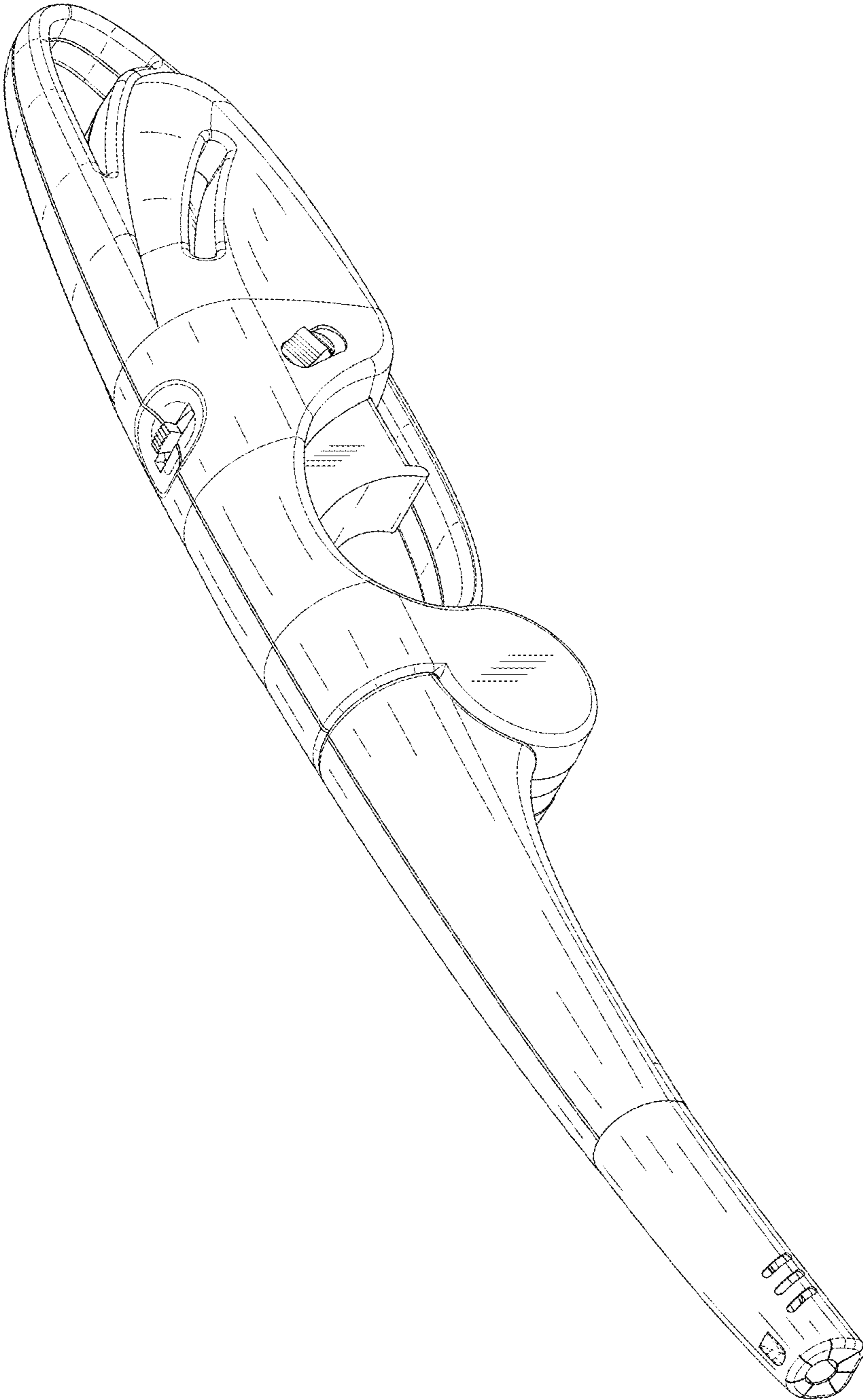


FIG. 1

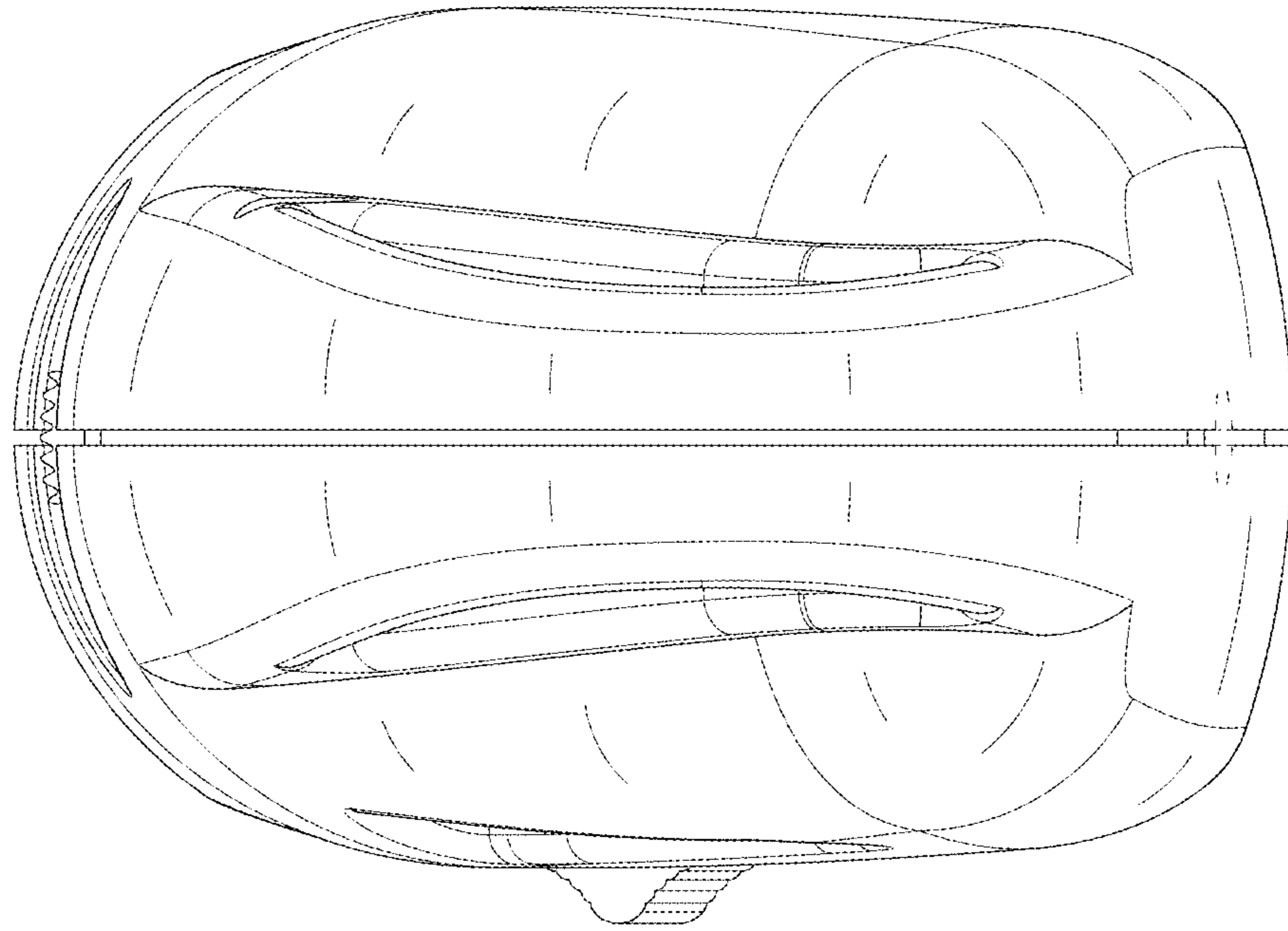


FIG. 3

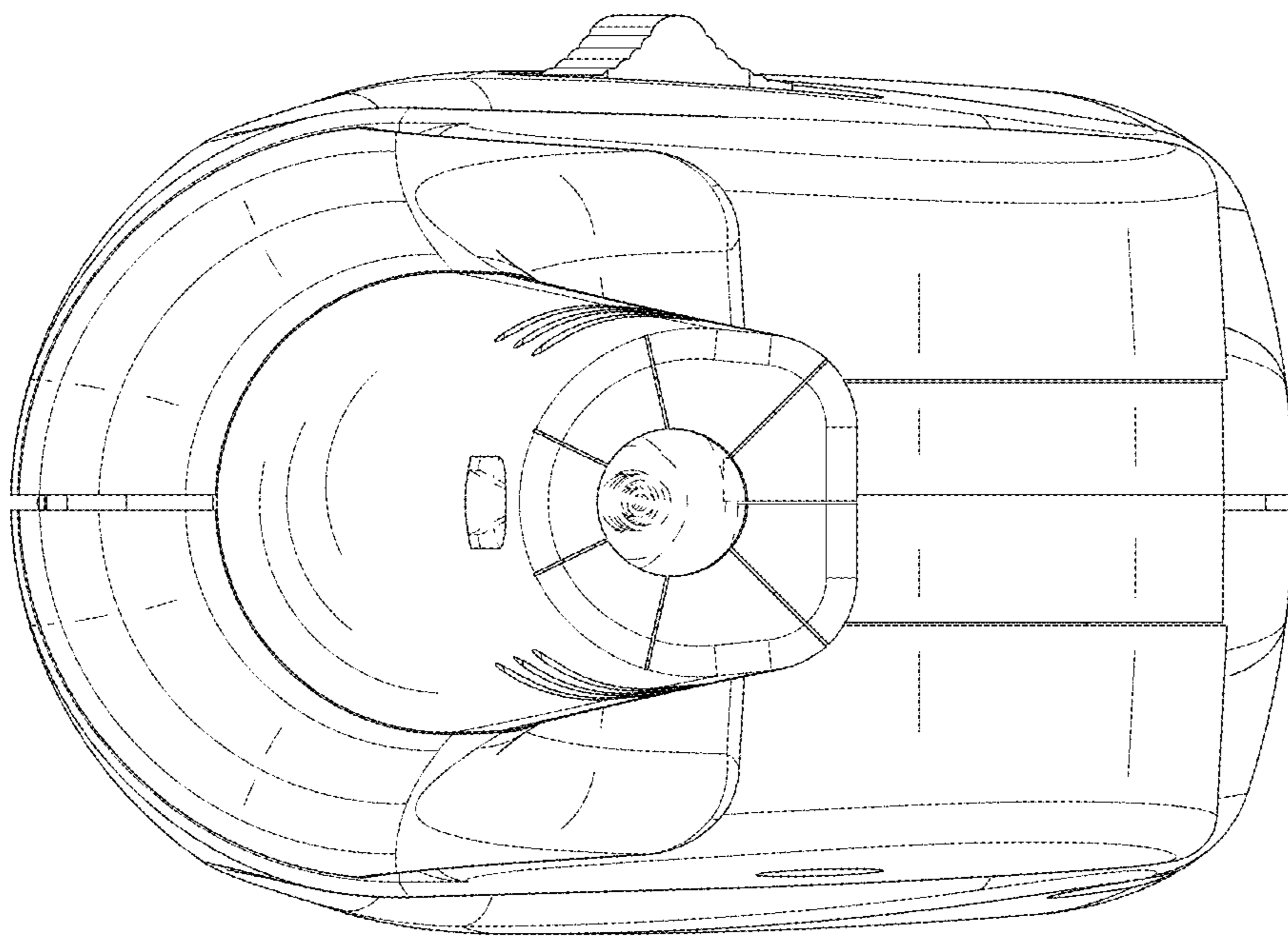


FIG. 2

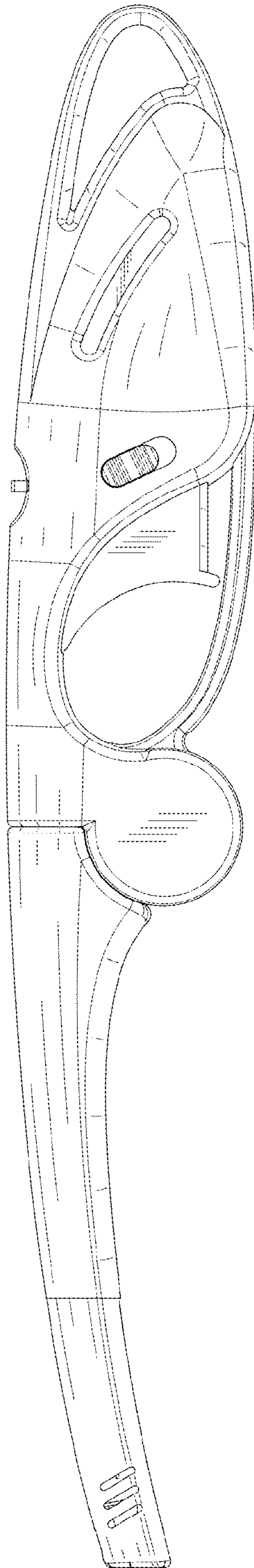


FIG. 4

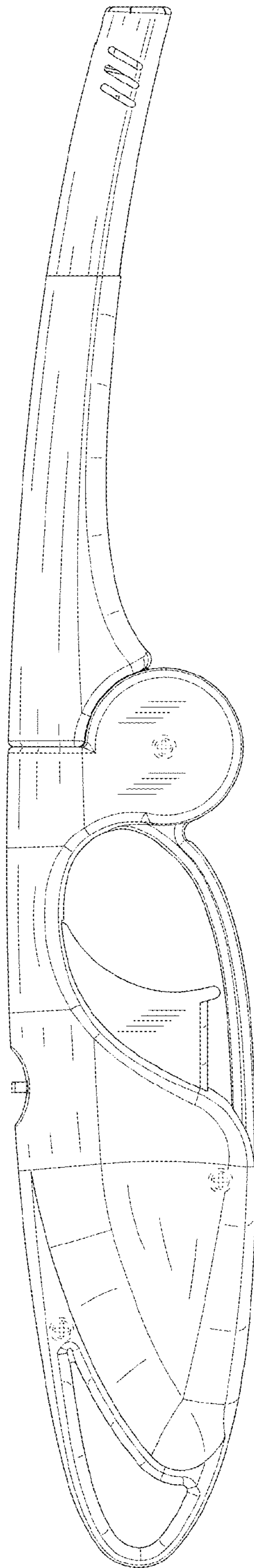


FIG. 5

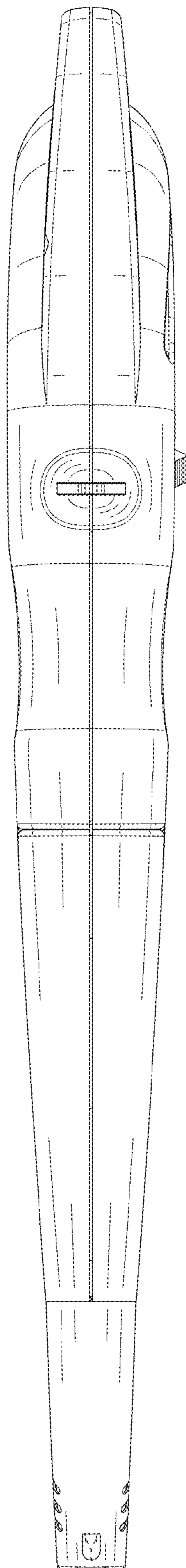


FIG. 6

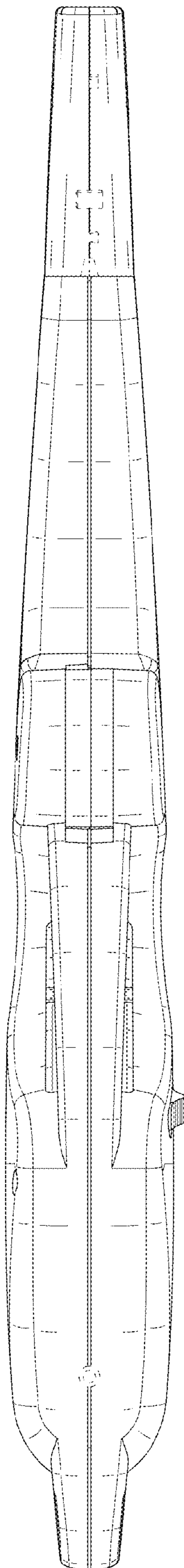


FIG. 7

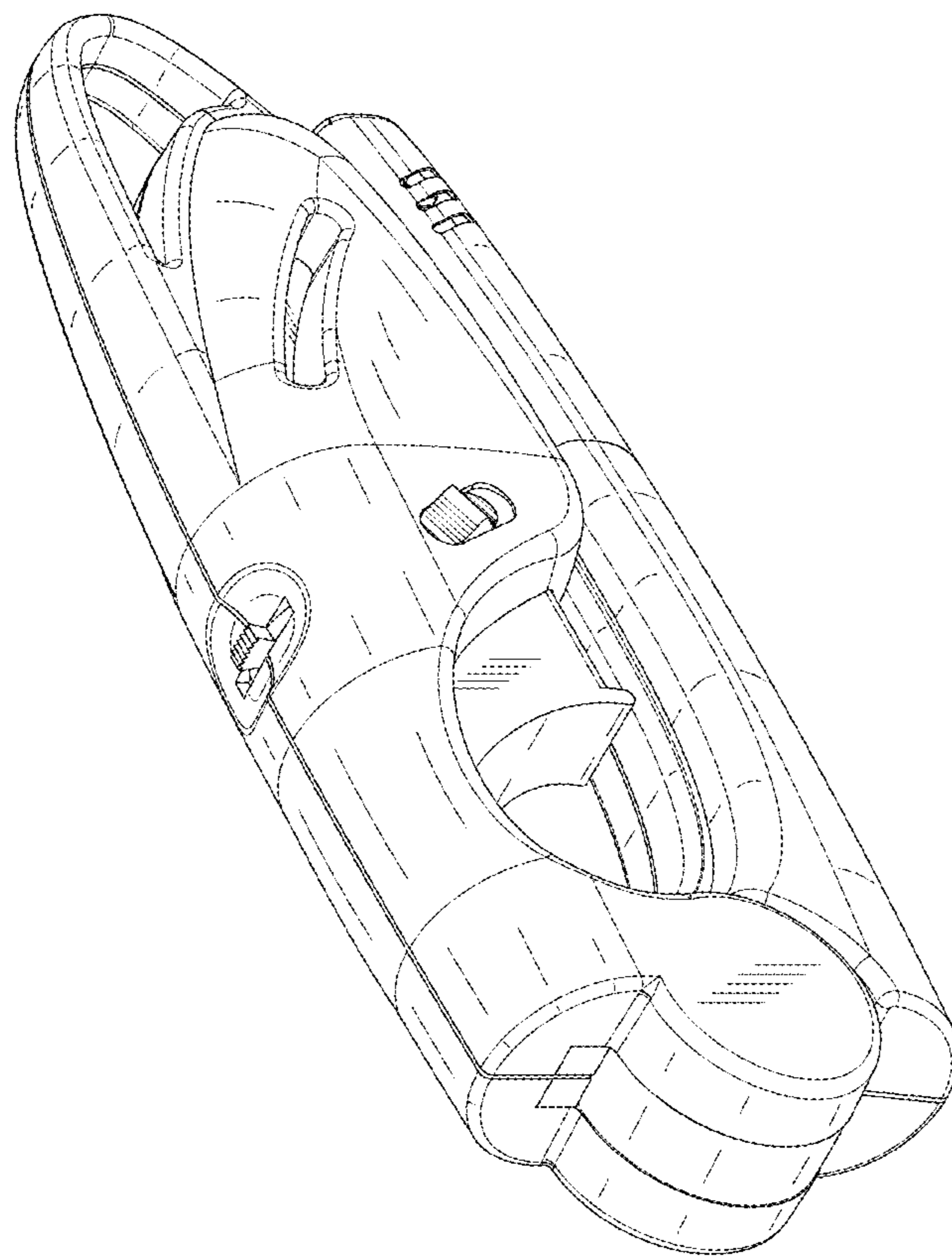


FIG. 8