



US00D890414S

(12) **United States Design Patent**
Holmes

(10) **Patent No.:** **US D890,414 S**

(45) **Date of Patent:** **** Jul. 14, 2020**

(54) **CEILING FAN LIGHT KIT ARM**

(71) Applicant: **HUNTER FAN COMPANY**,
Memphis, TN (US)

(72) Inventor: **Christine Holmes**, Memphis, TN (US)

(73) Assignee: **Hunter Fan Company**, Memphis, TN
(US)

(**) Term: **15 Years**

(21) Appl. No.: **29/648,498**

(22) Filed: **May 22, 2018**

Related U.S. Application Data

(60) Continuation of application No. 29/617,927, filed on
Sep. 18, 2017, now Pat. No. Des. 821,563, which is
a division of application No. 29/557,351, filed on
Mar. 8, 2016, now Pat. No. Des. 804,637.

(51) **LOC (12) Cl.** **26-05**

(52) **U.S. Cl.**
USPC **D26/142**

(58) **Field of Classification Search**
USPC D26/138, 141–144, 145, 149–155, 128,
D26/130–137, 59, 80–89, 102, 107–108,
D26/110–112; D23/377, 411;
D8/315–320, 363–366, 371, 373, 380
CPC F21S 8/043; F21V 3/061; F21V 3/0615
See application file for complete search history.

(56) **References Cited**

U.S. PATENT DOCUMENTS

D67,665 S *	6/1925	Krause	D26/144
D69,895 S *	4/1926	Kranz	D26/84
D73,395 S *	8/1927	Wing	D26/143
D73,481 S *	9/1927	Boehringer	D26/84
D79,946 S *	11/1929	Salterini	D26/107
D84,648 S *	7/1931	Primakow	D26/59

(Continued)

OTHER PUBLICATIONS

<http://www.hunterfan.com/Ceiling-Fans/Rockledge?ModelNumber=54156>, Item Specification for the Hunter Fan Rockledge 60" Ceiling Fan Model No. 54156 Onyx Bengal Finish 5 Burnished Cherry / Cherry Reversible Composite blades included, accessed Mar. 8, 2016.

(Continued)

Primary Examiner — Cathron C Brooks

Assistant Examiner — Sharon S Oum

(74) *Attorney, Agent, or Firm* — McGarry Bair PC

(57) **CLAIM**

The ornamental design for a ceiling fan light kit arm, as shown and described.

DESCRIPTION

FIG. 1 is a top perspective view of a ceiling fan light kit arm shown in the environment of a ceiling fan, showing my new design;

FIG. 2 is a bottom perspective view of the ceiling fan light kit arm of FIG. 1;

FIG. 3 is a bottom view of the ceiling fan light kit arm of FIG. 1;

FIG. 4 is a front view of the ceiling fan light kit arm of FIG. 1;

FIG. 5 is a right side view of the ceiling fan light kit arm of FIG. 1;

FIG. 6 is a left side view of the ceiling fan light kit arm of FIG. 1;

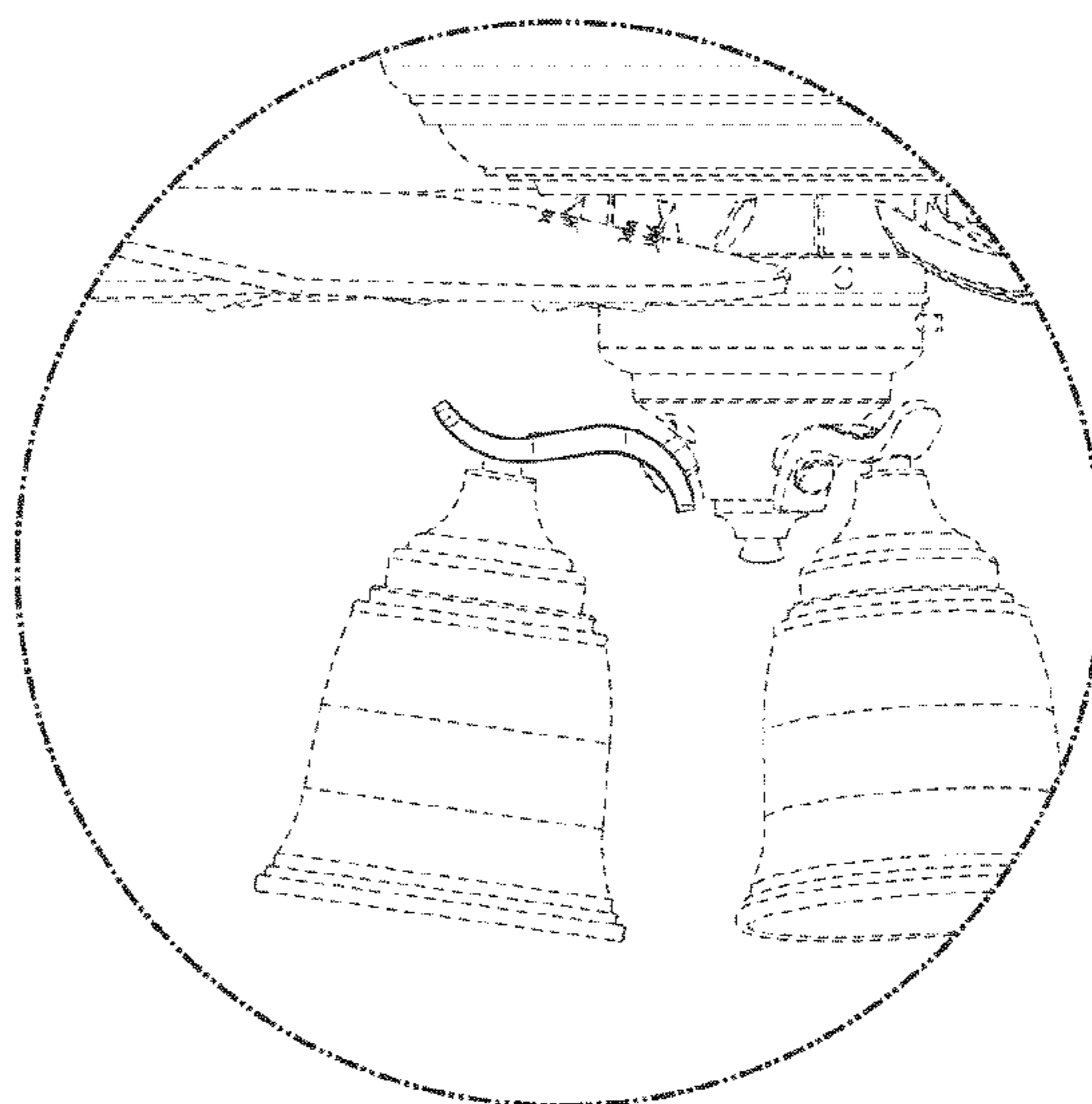
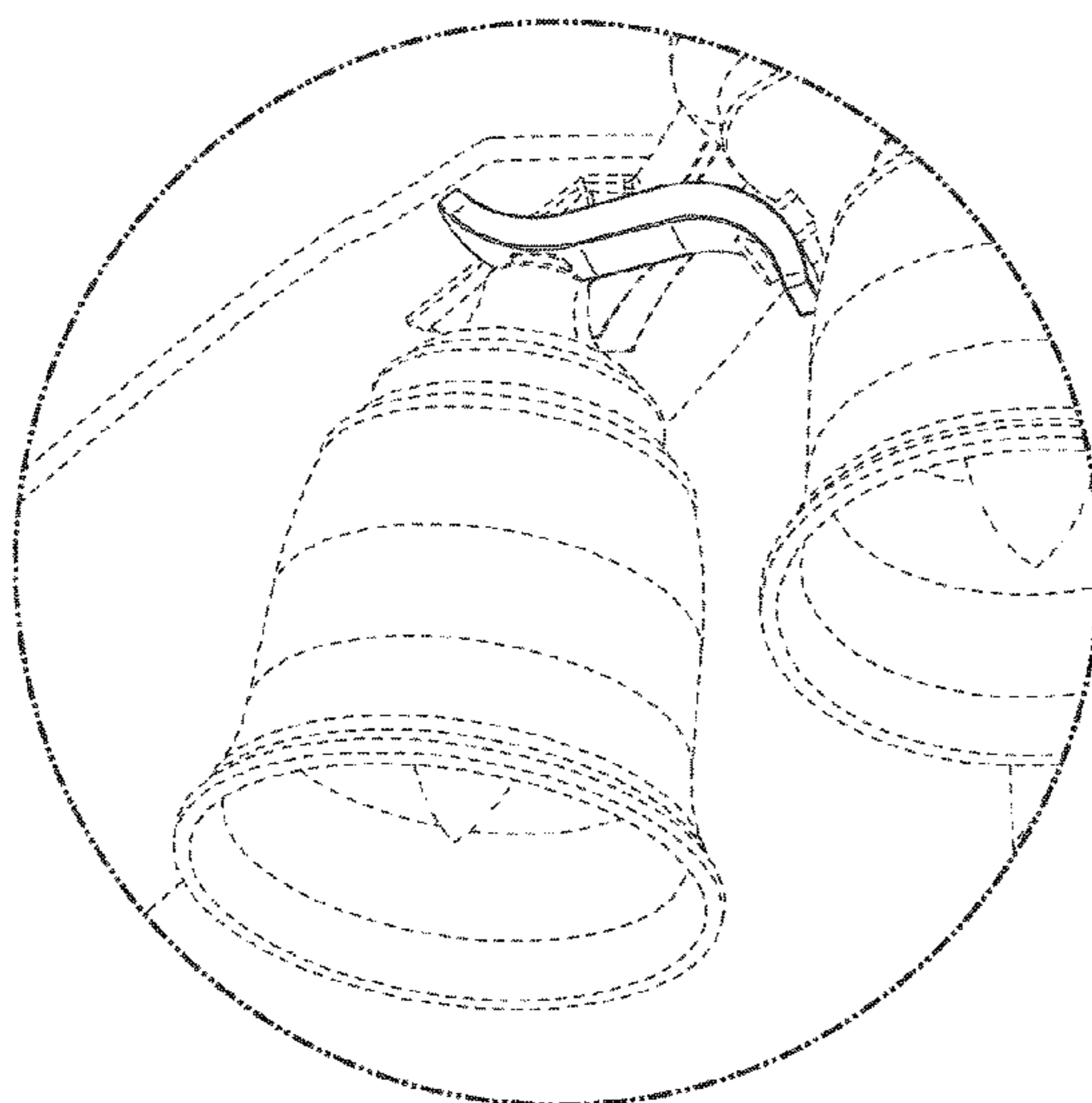
FIG. 7 is an enlarged view of the ceiling fan light kit arm of FIG. 1;

FIG. 8 is an enlarged view of the ceiling fan light kit arm of FIG. 2; and,

FIG. 9 is an enlarged view of the ceiling fan light kit arm of FIG. 6.

Portions of the ceiling fan light kit arm and ceiling fan environment shown in broken lines form no part of the claimed design.

1 Claim, 9 Drawing Sheets



(56)

References Cited

U.S. PATENT DOCUMENTS

- D85,444 S * 10/1931 Primakow D26/84
D127,170 S * 5/1941 Hallward D26/112
D253,308 S * 10/1979 Glassman D26/81
5,404,284 A 4/1995 Davis, Jr.
D364,224 S 11/1995 Wang
5,971,573 A 10/1999 Bucher et al.
D424,679 S 5/2000 LaSpina
D425,191 S 5/2000 LaSpina
D437,202 S * 2/2001 O'Neil D8/317
D441,120 S * 4/2001 Hsu D26/85
D442,275 S 5/2001 Dolan
D481,150 S * 10/2003 Lee D26/81
D483,105 S 12/2003 Hsieh
D483,463 S 12/2003 Tai
D483,465 S 12/2003 Tai
D484,233 S * 12/2003 Bucher D23/377
D486,215 S 2/2004 Hsieh
D489,474 S * 5/2004 Brunner D26/84
D490,888 S * 6/2004 Tai D23/377
D499,200 S * 11/2004 Parres D26/144
D499,478 S 12/2004 Thomas, Jr.
D505,722 S 5/2005 Burns
D510,428 S 10/2005 Hidalgo
D525,700 S 7/2006 Ertze
D531,297 S 10/2006 Ertze
D532,104 S 11/2006 Pickett
D533,654 S 12/2006 Bums
D533,937 S 12/2006 Pan
D534,295 S * 12/2006 Chen D26/81
D536,437 S * 2/2007 Pickett D23/411
D540,140 S * 4/2007 Soriano D8/302
D551,339 S * 9/2007 Shurtleff D23/411
D551,755 S * 9/2007 Shurtleff D23/411
D551,758 S * 9/2007 Shurtleff D23/411
D568,983 S 5/2008 Pan
D573,243 S 7/2008 Pan
D576,348 S * 9/2008 Myers, Jr. D26/144
D577,850 S * 9/2008 Nicholas D26/88
D578,700 S * 10/2008 Chen D26/81
D579,097 S * 10/2008 Hidalgo D23/377
D579,098 S 10/2008 Hidalgo
D581,512 S 11/2008 Hidalgo
D584,845 S * 1/2009 Chen D26/81
D594,550 S 6/2009 Pan
D605,348 S * 12/2009 Miranda D26/144
D610,737 S * 2/2010 Chandler D26/144
D620,580 S 7/2010 Chen
D627,046 S 11/2010 Wang
D629,141 S * 12/2010 Sperling D26/87
D632,382 S 2/2011 Pan
D642,891 S * 8/2011 Roe D8/317
D683,496 S * 5/2013 Yando D26/144
D694,950 S * 12/2013 Orozco D26/144
D702,385 S * 4/2014 Wang D26/59
D739,704 S * 9/2015 Shargh D8/318
D745,960 S 12/2015 Pickett
D770,664 S * 11/2016 Orozco D26/86
D773,636 S 12/2016 Wang
D780,977 S * 3/2017 Clark D26/86
D787,040 S 5/2017 Badarello et al.
D799,668 S 10/2017 Wang
D804,637 S * 12/2017 Holmes D23/377
D810,268 S * 2/2018 Holmes D23/377
D855,870 S * 8/2019 Schwartz D26/89
2004/0022636 A1 2/2004 Bilskie
2005/0058503 A1 3/2005 Li
2006/0092628 A1 * 5/2006 Pearce F21S 8/033
362/147
2006/0209532 A1 * 9/2006 Hardgrave F04D 25/088
362/96
2012/0287604 A1 * 11/2012 Lan F04D 25/088
362/96
2014/0268743 A1 * 9/2014 Park F21V 7/00
362/235
2014/0268803 A1 9/2014 Keng
2015/0078903 A1 3/2015 Lowe et al.

OTHER PUBLICATIONS

<http://www.hunterfan.com/Ceiling-Fans/Willowcrest?ModelNumber=54016>, Item Specification for the Hunter Fan Willowcrest 54" Ceiling Fan Model No. 54016 Brittany Bronze Finish, 5 Burnished Mahogany / Mahogany Reversible Carved Wood blades included, accessed Mar. 8, 2016.

<http://creativeinkdesigns.com/projects/fanimation/products/index.php/fans/benito-220v.html>, Item Specification for the Fanimation Benito Model No. FP8003-220, accessed Mar. 8, 2016.

<http://www.casablancafanco.com/Search?SearchTerm=Crestmont>, Item Specification for the Casablanca Crestmont Model No. 55063, accessed Mar. 8, 2016.

http://www.cens.com/cens/html/en/product/product_main_77129.html, Item Specification for the Air Cool Industrial Co. Aquarius-champagne light series Model No. AC413, accessed Mar. 8, 2016.

http://www.cgglobal.com/frontend/cp_product.aspx?id=O3C7/cQ2umQ=, Item Specification for the Crompton Greaves Triton Electroplated Ceiling Fan, accessed Mar. 7, 2016.

<http://www.kingoffans.com/#/products/ceilingFans>, Item Specification for the King of Fans North Lake Model No. 51418, accessed Mar. 8, 2016.

<http://www.quoruminternational.com/index.cfm/app/productDetail?product=73525-986>, Item Specification for the Quorum International Model No. 73525-986, accessed Mar. 8, 2016.

<http://www.homedepot.com/p/Hampton-Bay-Alicante-52-in-Natural-Iron-Ceiling-Fan-58004/203788121>, Item Specification for the Hampton Bay Alicante Model # 58004 Alicante 52 in. Natural Iron Ceiling Fan, accessed Mar. 8, 2016.

* cited by examiner

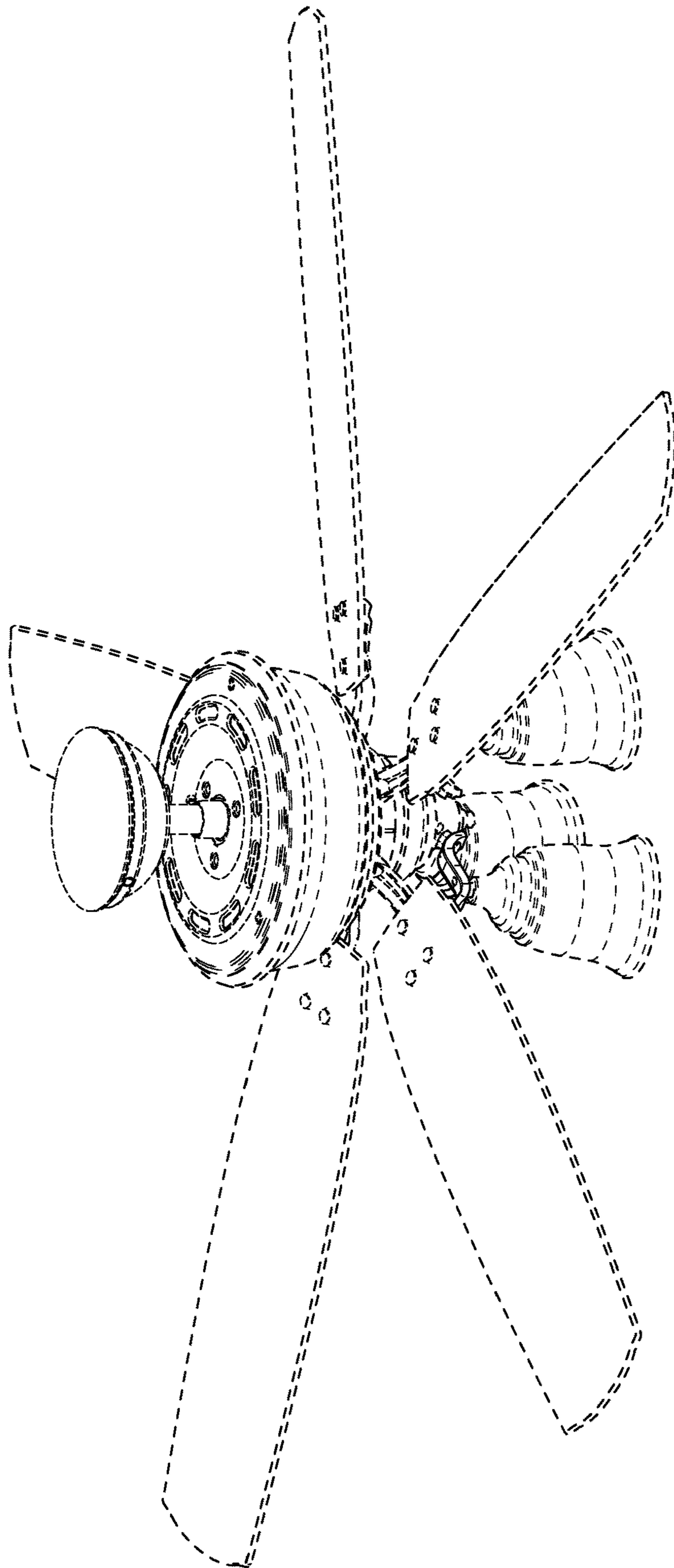


FIG. 1

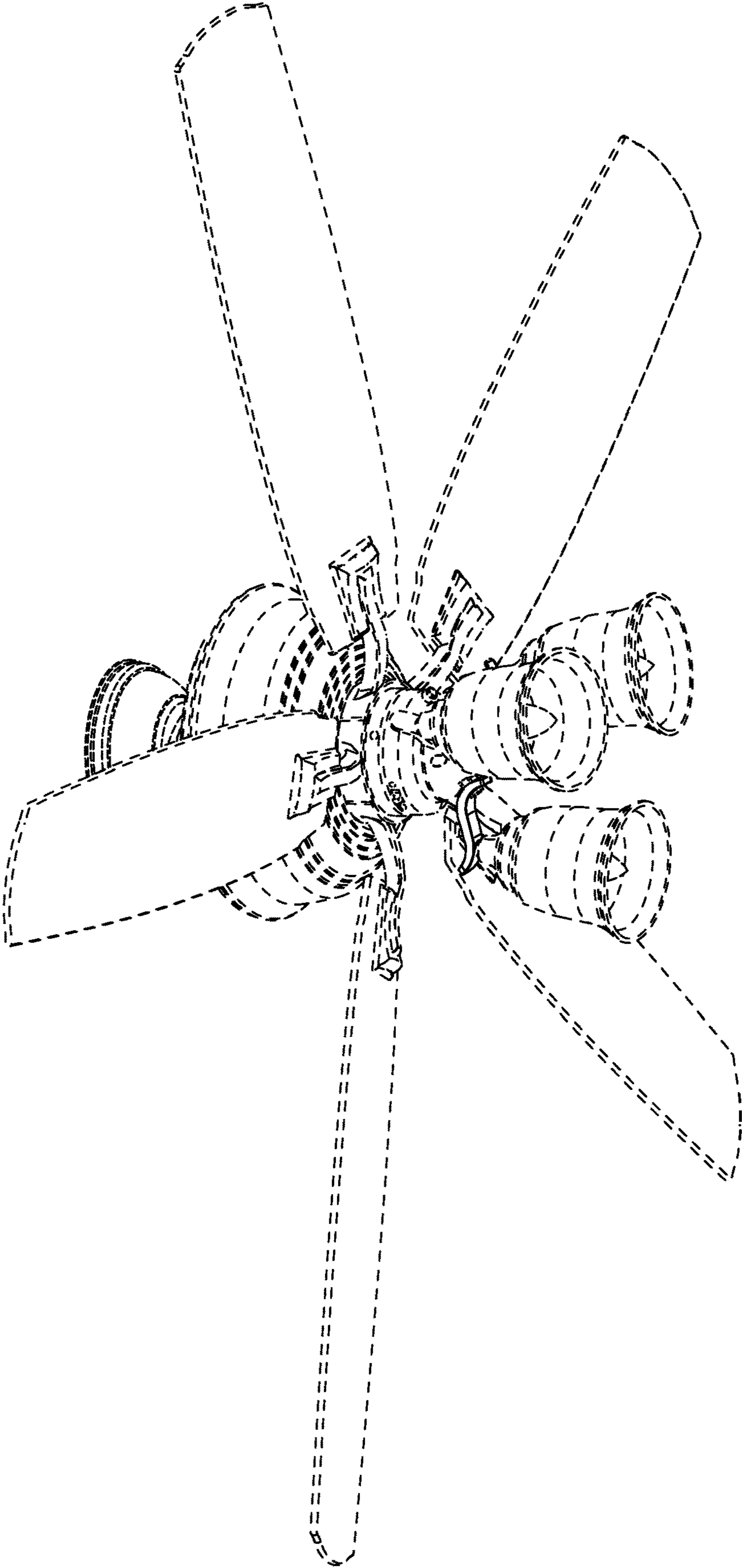


FIG. 2

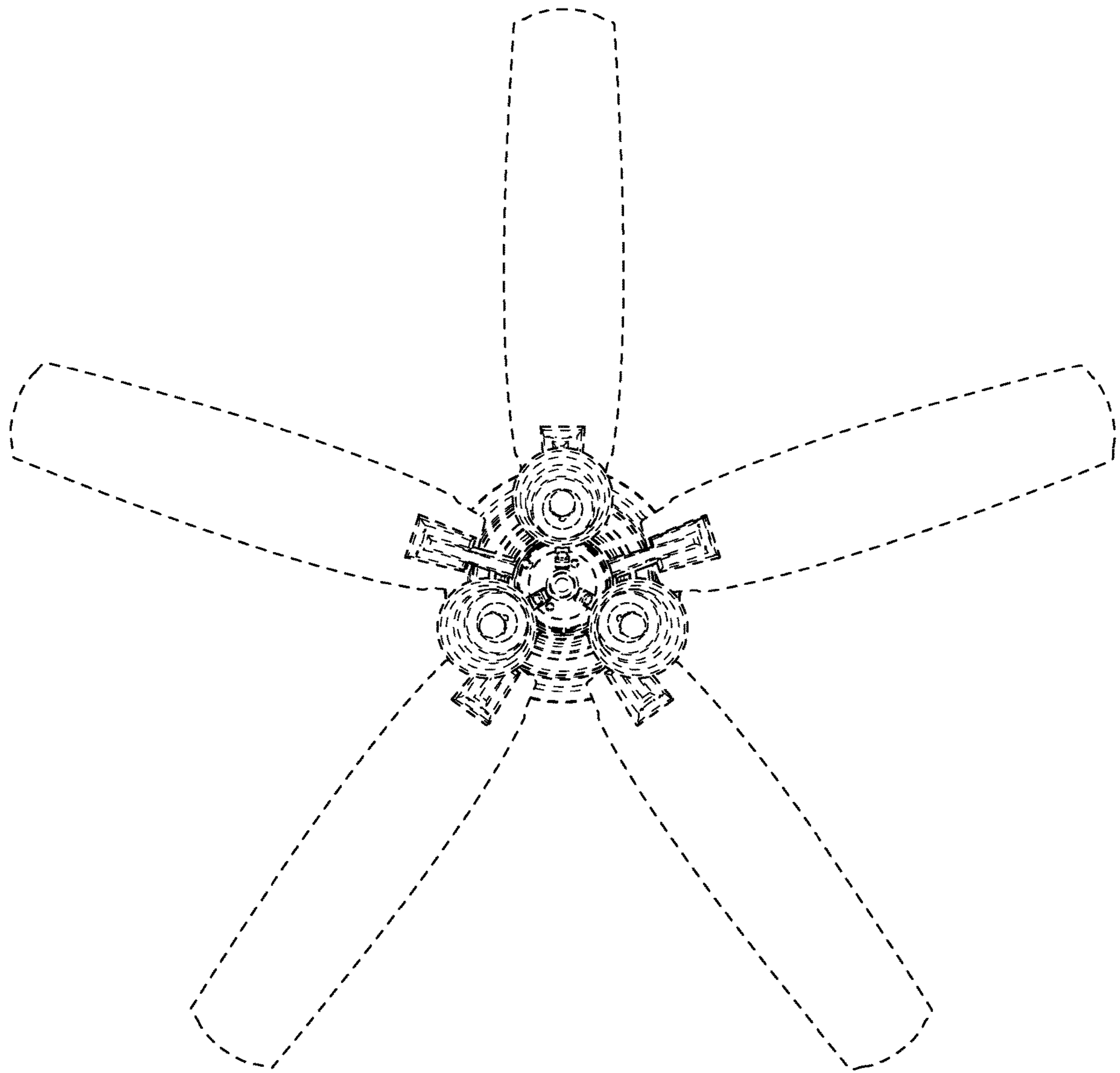


FIG. 3

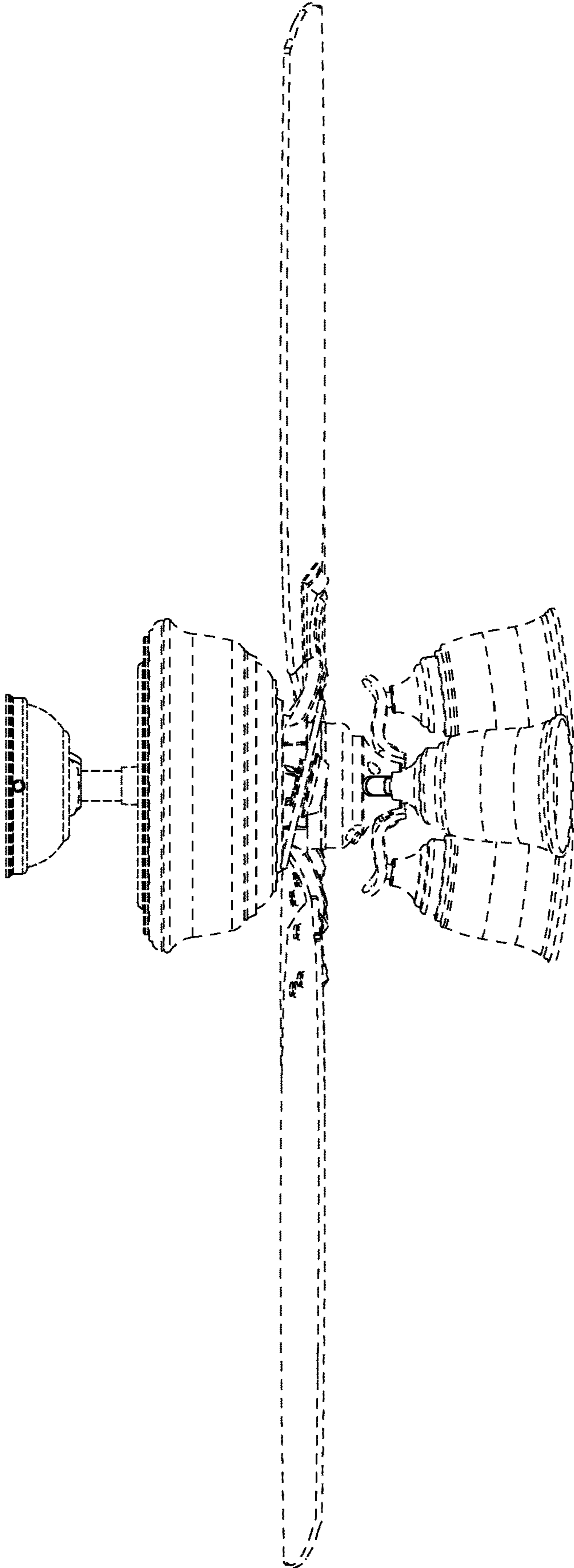


FIG. 4

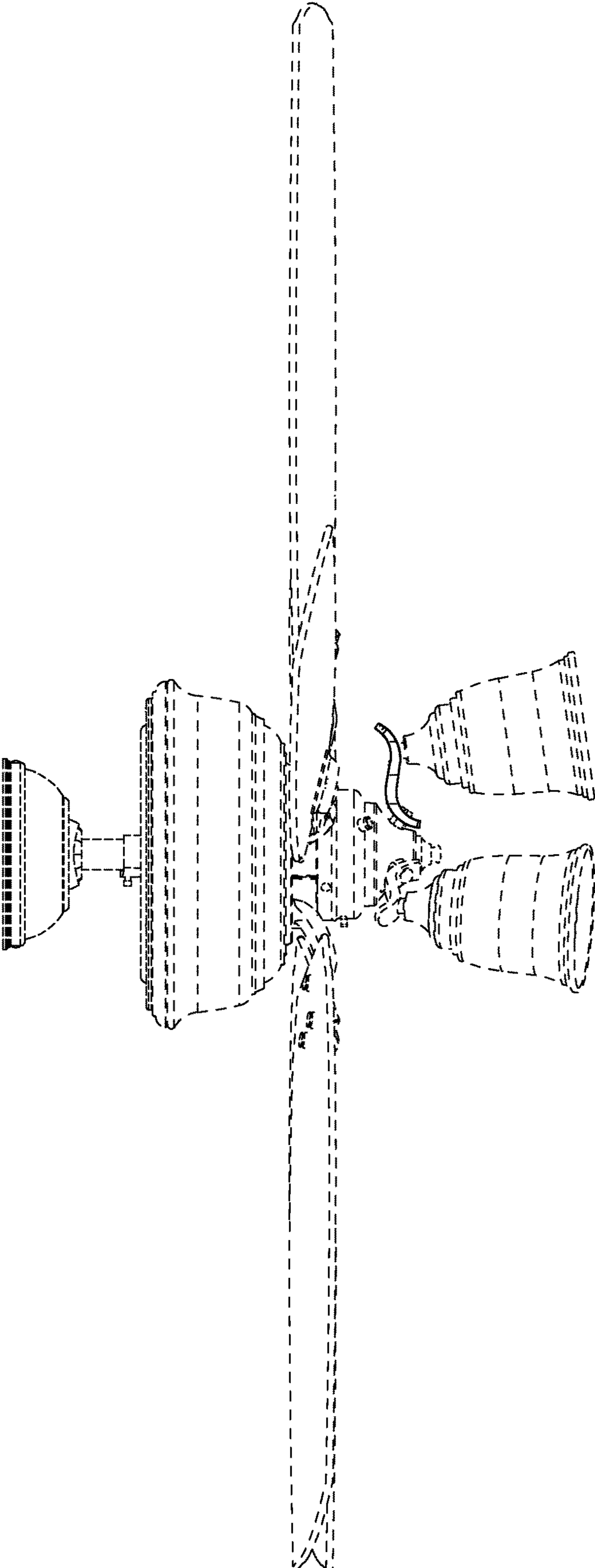


FIG. 5

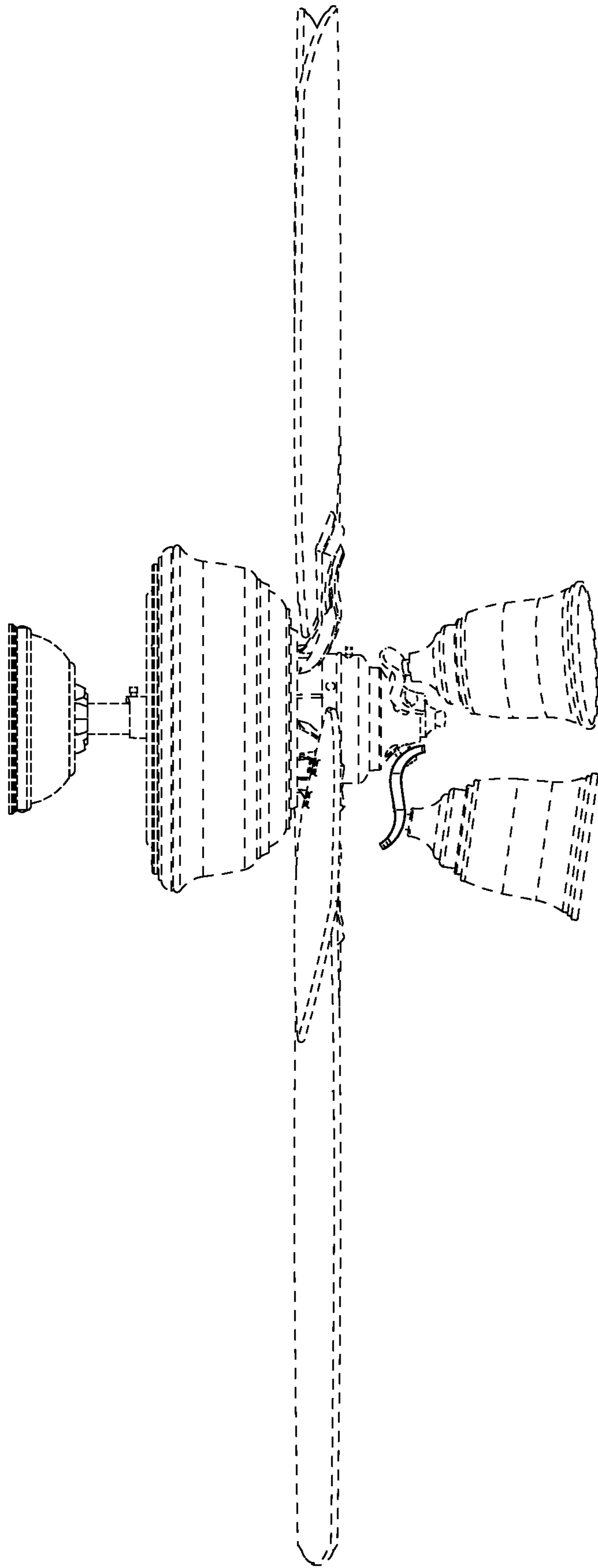


FIG. 6

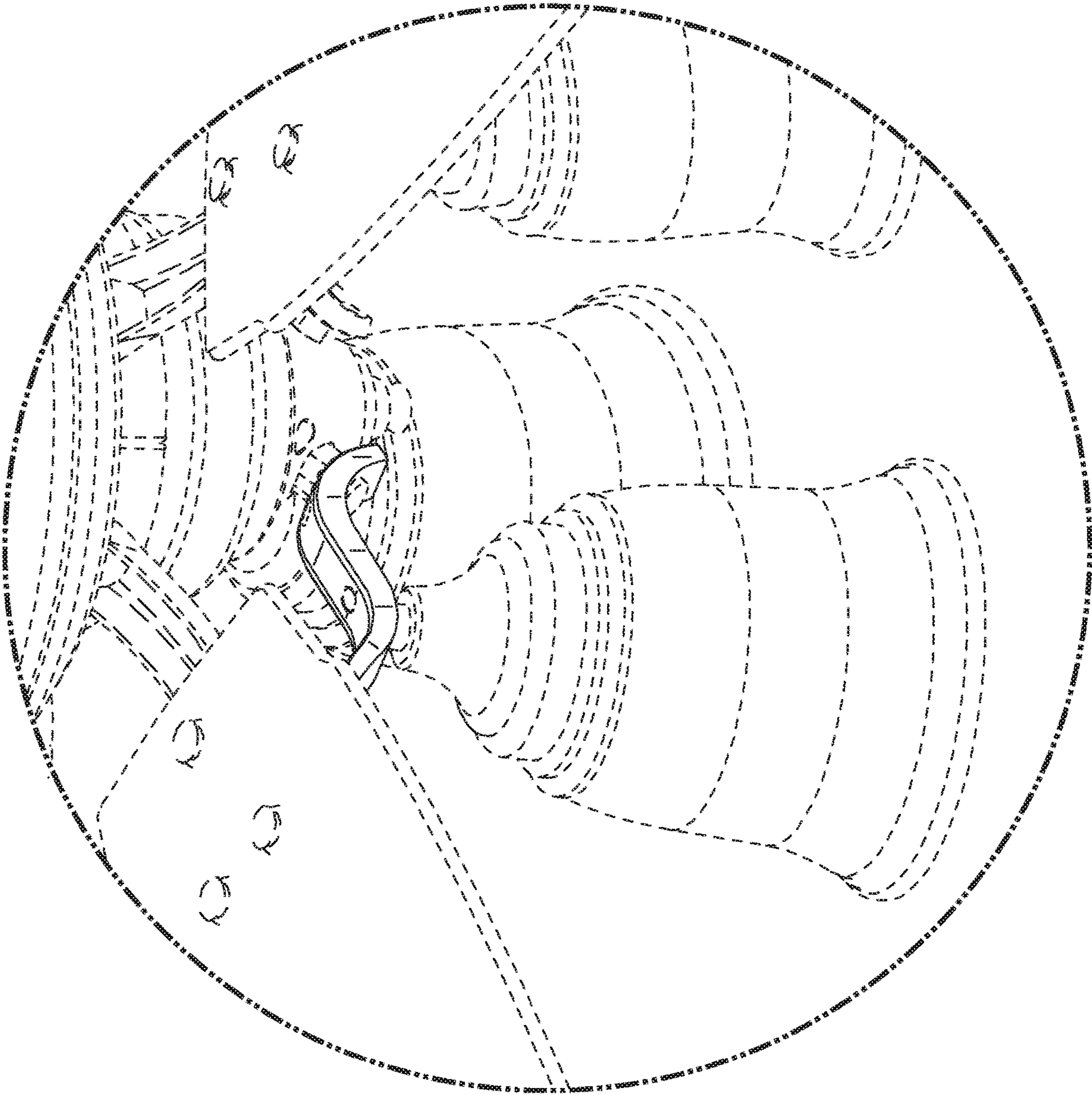


FIG. 7

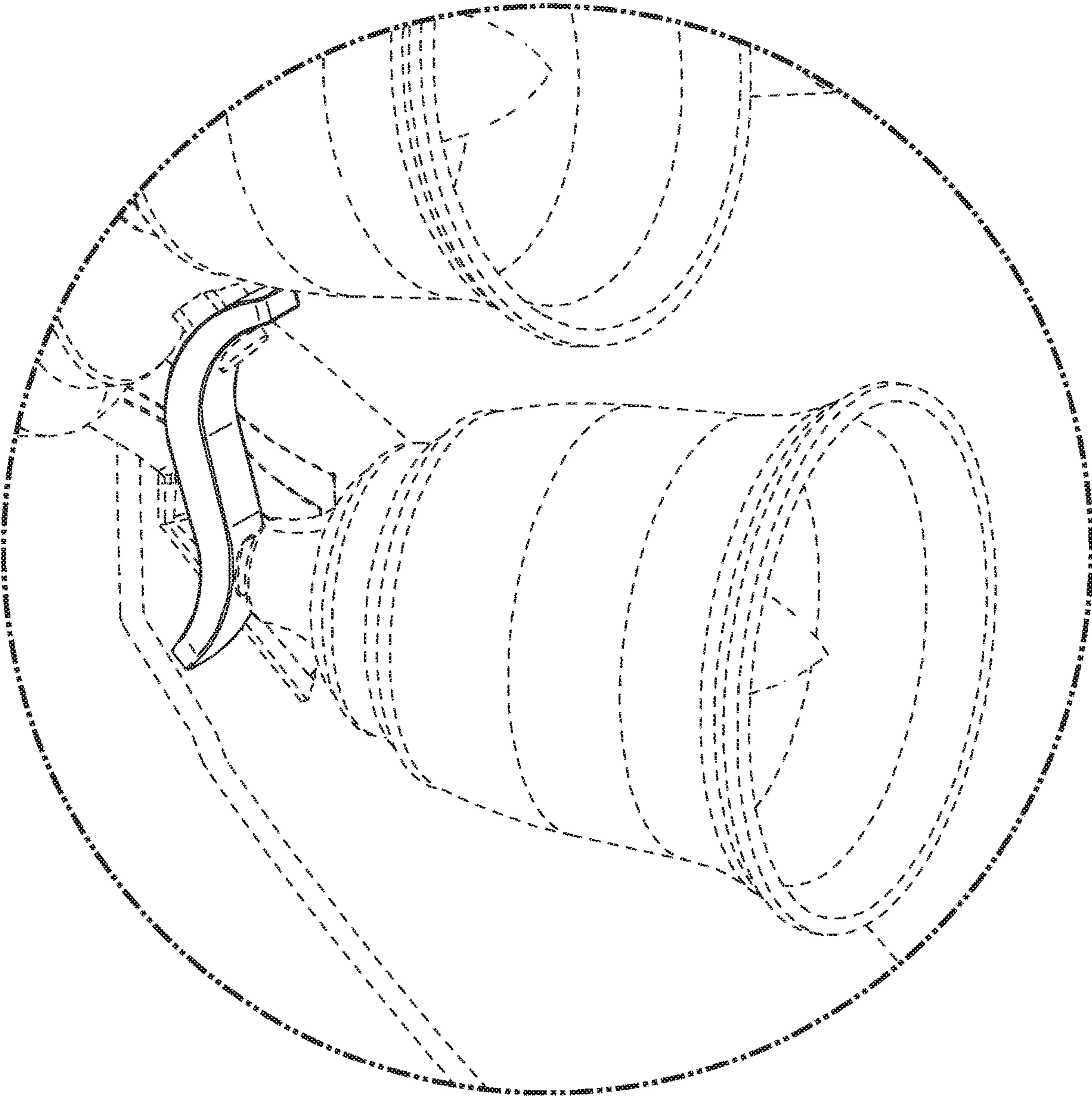


FIG. 8

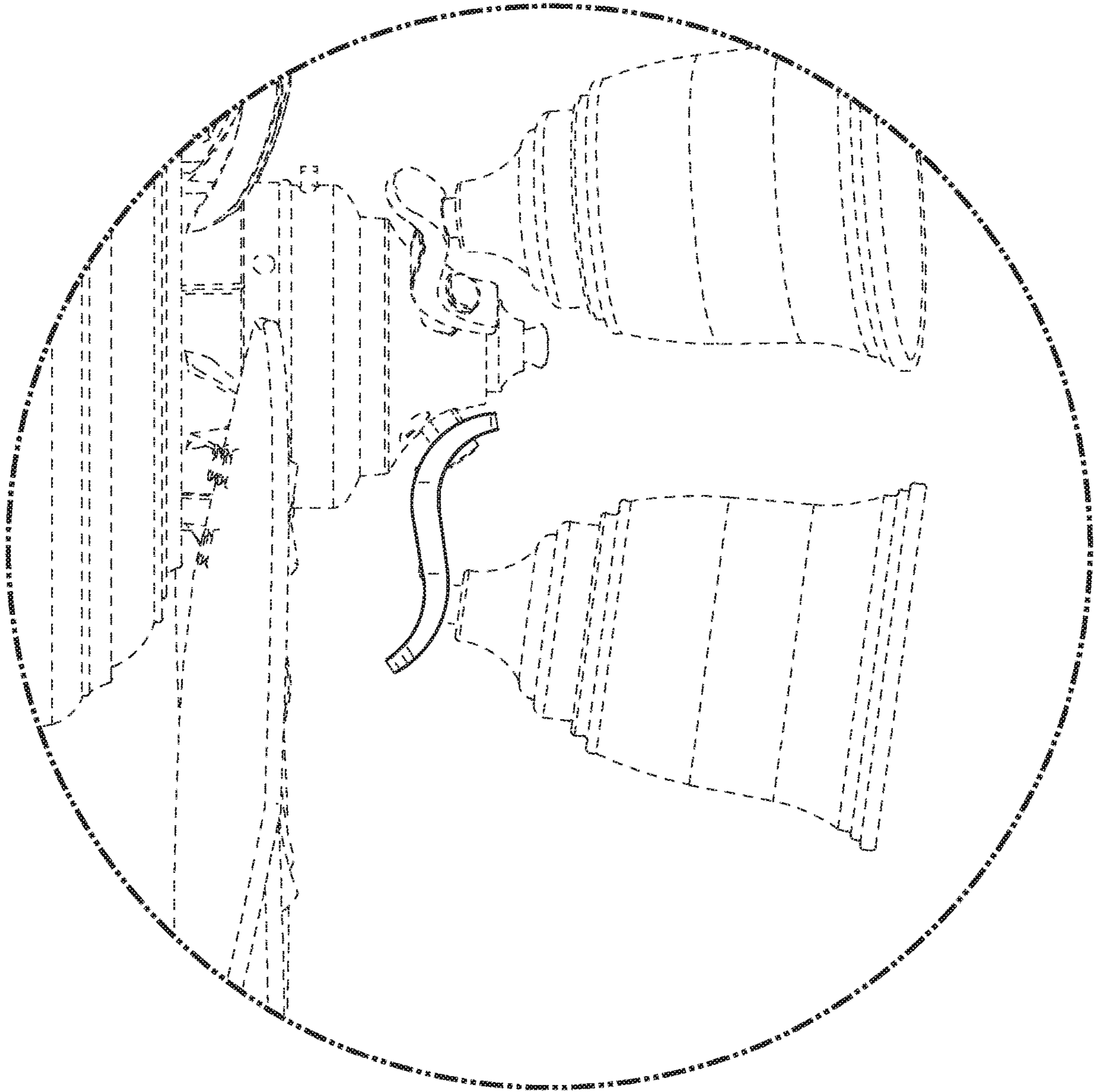


FIG. 9