



US00D890411S

(12) **United States Design Patent**
Bai et al.

(10) **Patent No.:** **US D890,411 S**

(45) **Date of Patent:** **** Jul. 14, 2020**

(54) **MOUNTING BASE**

(71) Applicant: **Jiawei Renewable Energy Co., Ltd.**,
Shenzhen, Guangdong (CN)

(72) Inventors: **Liang Bai**, Shenzhen (CN); **Qi Liu**,
Shenzhen (CN); **Tuo Xu**, Shenzhen
(CN)

(73) Assignee: **Jiawei Renewable Energy Co., Ltd.**,
Shenzhen, Guangdong (CN)

(**) Term: **15 Years**

(21) Appl. No.: **29/682,087**

(22) Filed: **Mar. 1, 2019**

(51) **LOC (12) Cl.** **26-05**

(52) **U.S. Cl.**
USPC **D26/138**

(58) **Field of Classification Search**
USPC D26/72, 74, 76, 78–83, 85, 86, 88, 90,
D26/93, 111, 113, 118, 119, 120, 121,
D26/122, 138, 139, 140, 141, 142, 152
CPC F21S 2/00; F21S 4/00; F21S 4/003; F21S
4/005; F21S 4/006; F21S 4/007; F21S
4/008; F21S 6/00; F21S 8/00; F21S
8/024; F21S 8/026; F21S 8/031; F21S
8/033; F21S 8/035–037; F21S 8/04; F21S
8/043; F21S 8/063
See application file for complete search history.

(56) **References Cited**

U.S. PATENT DOCUMENTS

D583,967 S * 12/2008 Leunis D26/24
D622,443 S * 8/2010 Huang D26/142
D633,644 S * 3/2011 Sprengers D26/89
D633,645 S * 3/2011 Verelst D26/89

D639,496 S * 6/2011 Wada D26/120
D639,497 S * 6/2011 Ogawa D26/120
D681,867 S * 5/2013 Wegger D26/124
D684,310 S * 6/2013 Hashimoto D26/138
D690,842 S * 10/2013 Feigenbaum D26/24
D746,622 S * 1/2016 O'Brien D21/823
D770,076 S * 10/2016 Li D26/89
D770,673 S * 11/2016 Hasan D26/138
D796,733 S * 9/2017 LaDuca D26/138
D806,309 S * 12/2017 Amato D26/142
D812,287 S * 3/2018 Wu D26/138
D818,192 S * 5/2018 Price D26/138
D829,970 S * 10/2018 Brennenstuhl D26/138
D843,642 S * 3/2019 Mathews D26/142

* cited by examiner

Primary Examiner — Natasha Vujcic

(74) *Attorney, Agent, or Firm* — Banner & Witcoff, Ltd.

(57) **CLAIM**

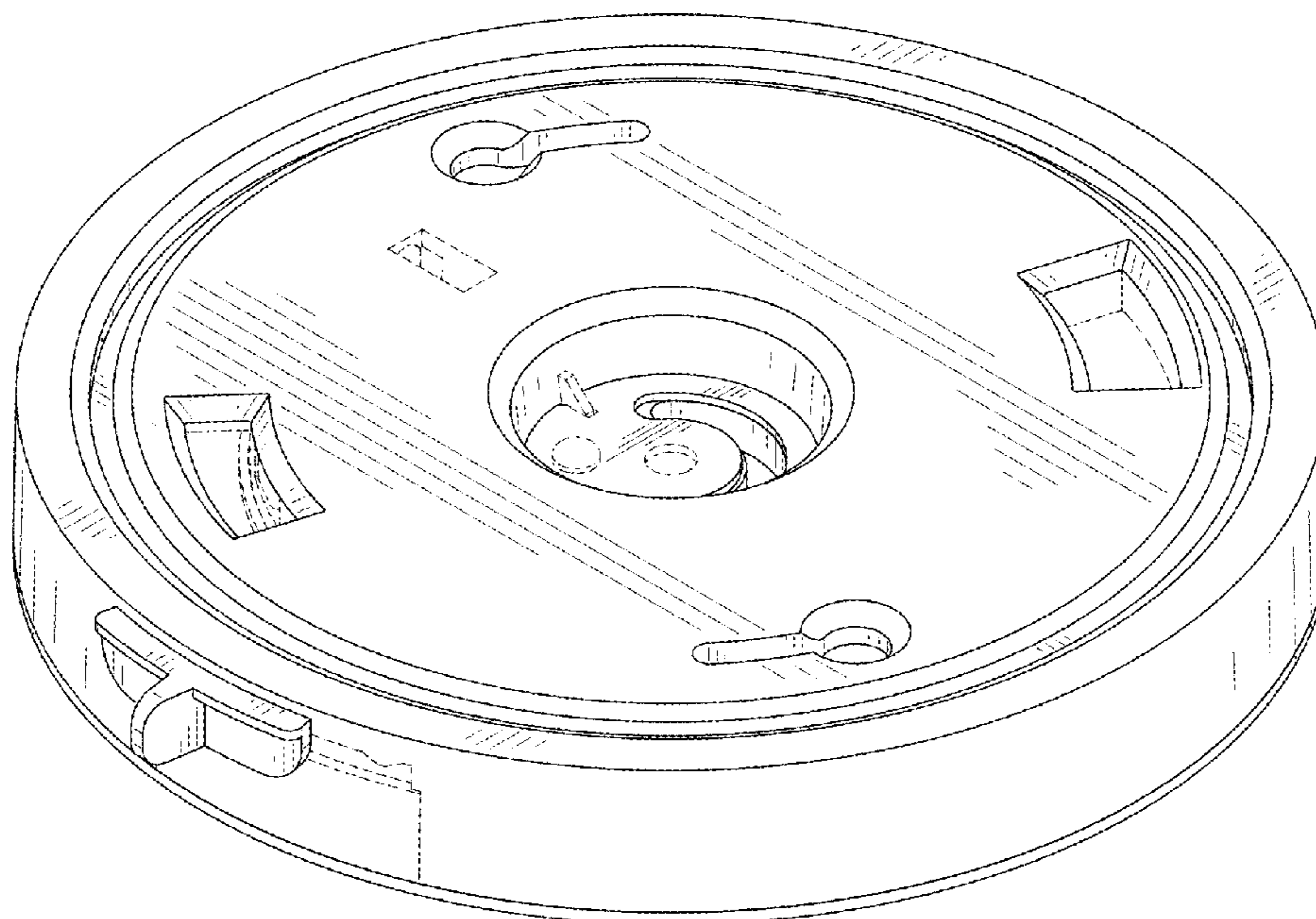
The ornamental design for a mounting base, as shown and described.

DESCRIPTION

FIG. 1 is a front, left, and top perspective view of a mounting base showing our new design;
FIG. 2 is a rear, left, and bottom perspective view thereof;
FIG. 3 is a front elevational view thereof;
FIG. 4 is a rear elevational view thereof;
FIG. 5 is a right side elevational view thereof;
FIG. 6 is a left side elevational view thereof;
FIG. 7 is a bottom plan view thereof;
FIG. 8 is a top plan view thereof; and,
FIG. 9 is a sectional view thereof.

The broken lines in the figures are included for the purpose of illustrating portions of the article which form no part of the claimed design.

1 Claim, 9 Drawing Sheets



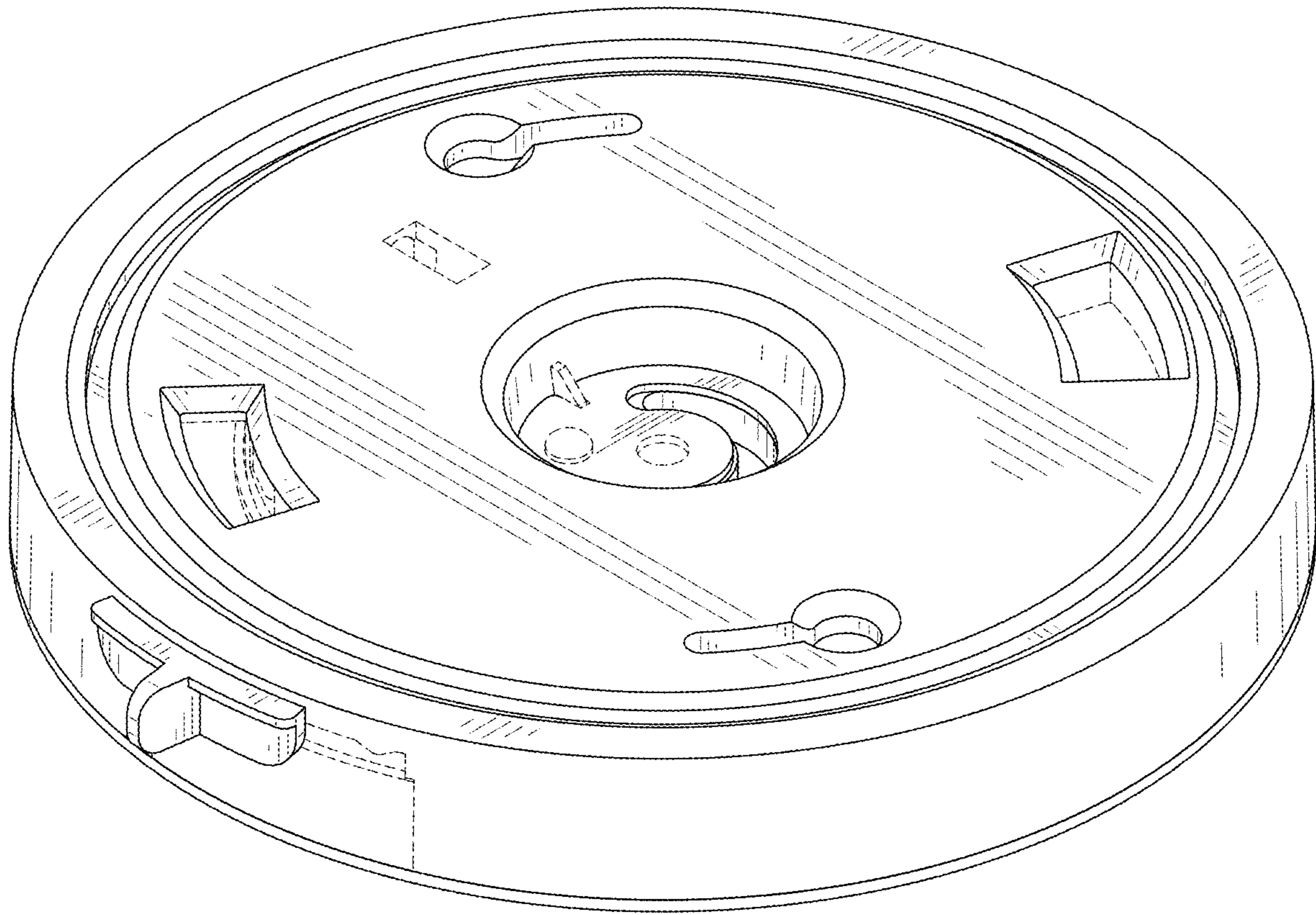


FIG. 1

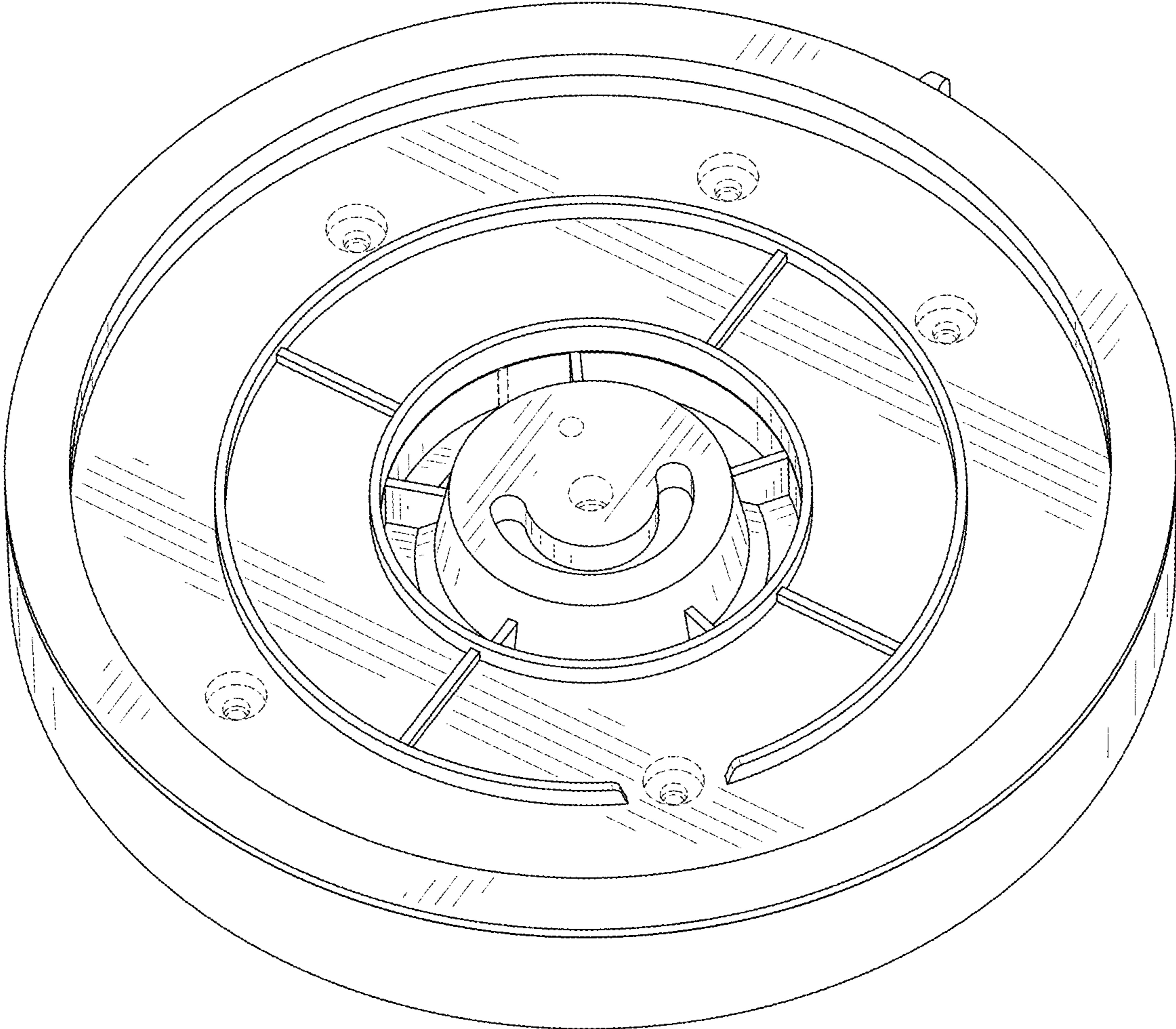


FIG. 2

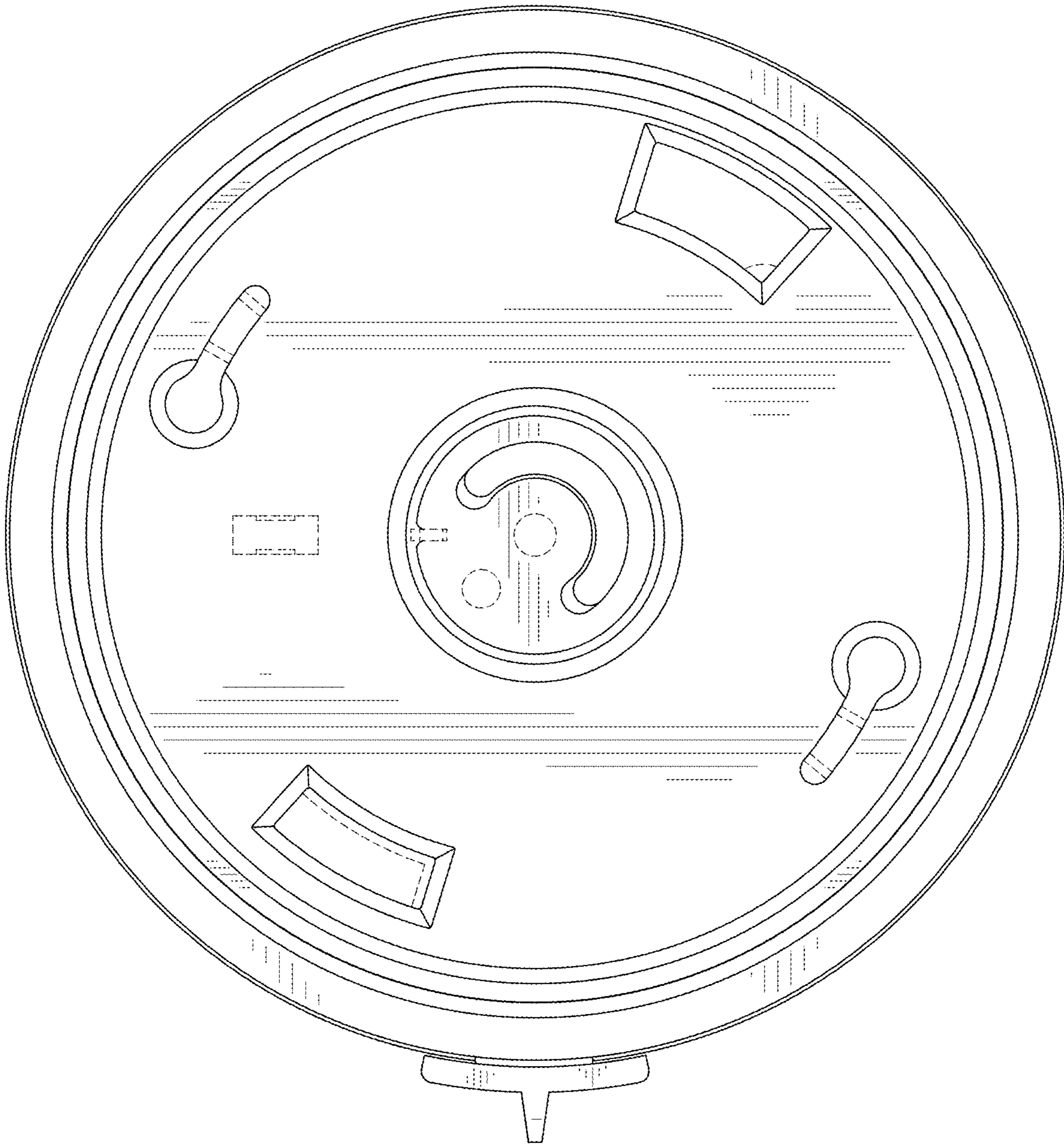


FIG. 3

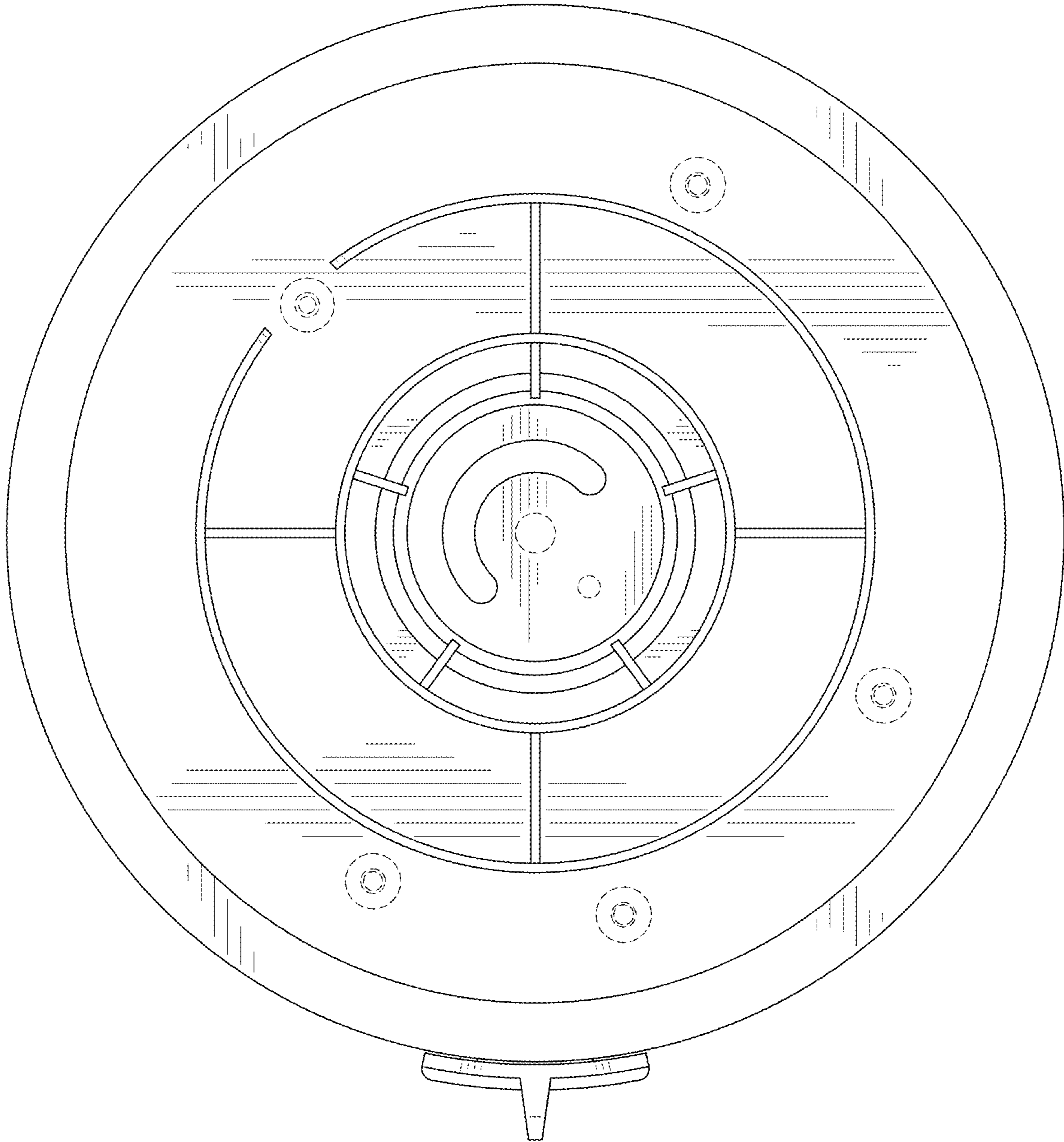


FIG. 4



FIG. 5

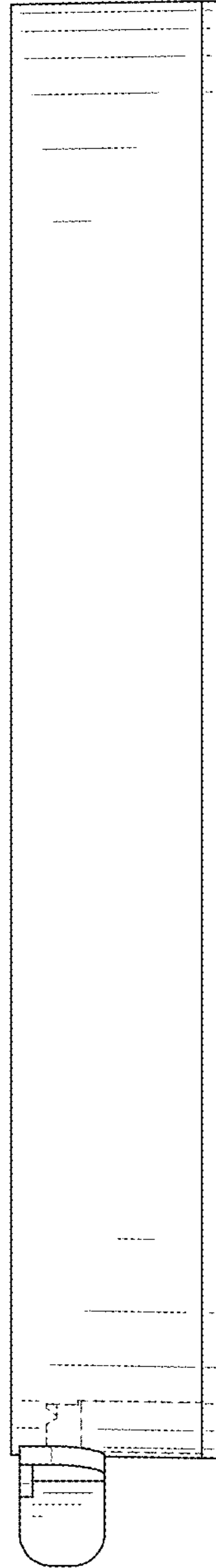


FIG. 6

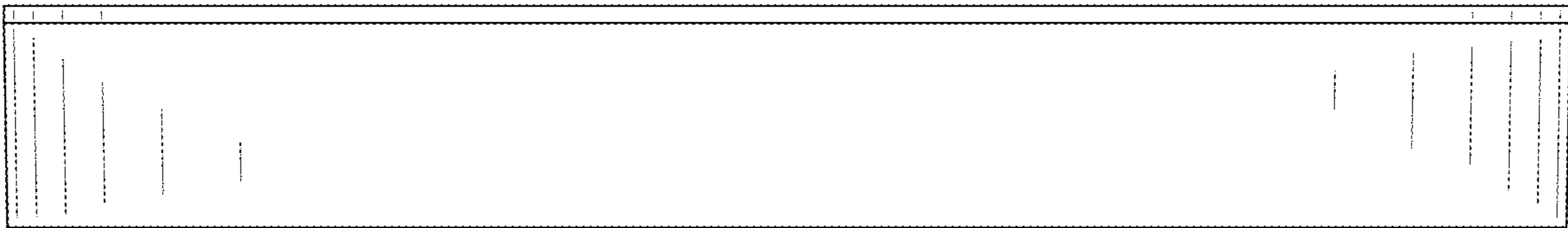


FIG. 7

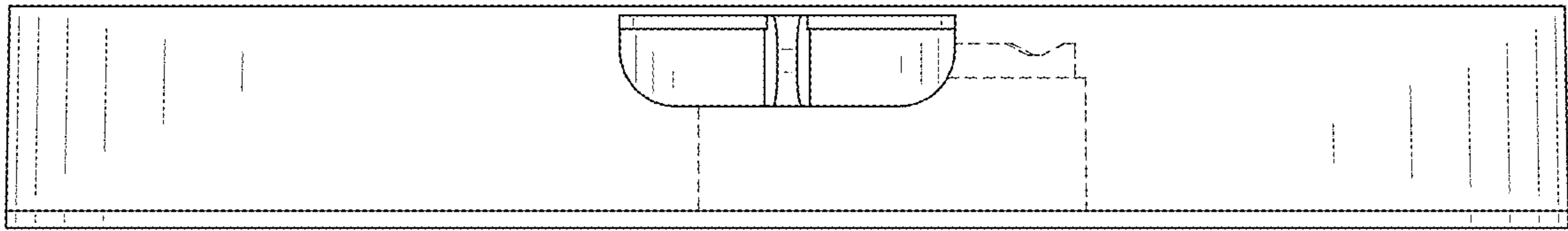


FIG. 8

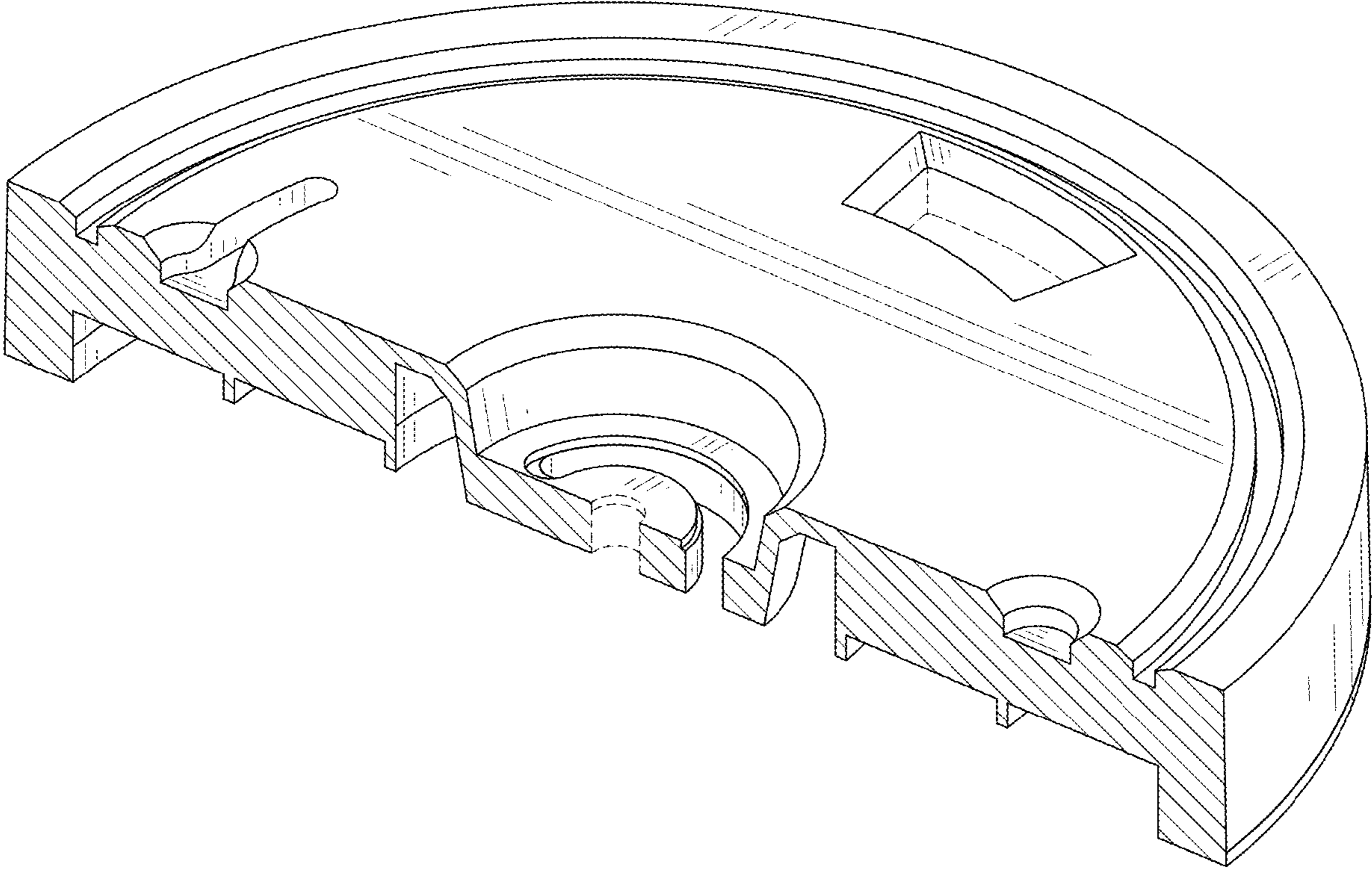


FIG. 9