



US00D890410S

(12) **United States Design Patent** (10) **Patent No.:** **US D890,410 S**  
**Stanford et al.** (45) **Date of Patent:** **\*\* Jul. 14, 2020**

(54) **HIGH-BAY LUMINAIRE**

(56) **References Cited**

(71) Applicant: **PHILIPS LIGHTING HOLDING B.V.**, Eindhoven (NL)

U.S. PATENT DOCUMENTS

(72) Inventors: **Clint Stanford**, Pontotoc, MS (US);  
**Dana Wallace**, Tupelo, MS (US)

D326,163 S *	5/1992	Sonneman	.....	D26/152
D400,998 S *	11/1998	Leen	.....	D26/71
D555,825 S *	11/2007	Lecluze	.....	D26/138
D591,446 S *	4/2009	Tufano	.....	D26/138
D592,792 S *	5/2009	Keller	.....	D26/88
D624,691 S *	9/2010	Zhang	.....	D26/138
D627,507 S *	11/2010	Lai	.....	D26/138
D639,499 S *	6/2011	Choi	.....	D26/138
D658,328 S *	4/2012	Baldwin	.....	D26/138
D710,536 S *	8/2014	Mollaghaffari	.....	D26/138
D803,453 S *	11/2017	Engle	.....	D26/72
D803,460 S *	11/2017	Engle	.....	D26/88
D847,415 S *	4/2019	Danesh	.....	F21S 8/02 D26/138
D857,981 S *	8/2019	Stanford	.....	D26/138
D869,726 S *	12/2019	Deng	.....	D26/72

(73) Assignee: **SIGNIFY HOLDING B.V.**, Eindhoven (NL)

(\*\*) Term: **15 Years**

(21) Appl. No.: **29/670,312**

(22) Filed: **Jan. 22, 2019**

**Related U.S. Application Data**

(62) Division of application No. 35/502,812, filed on Mar. 24, 2017 (U.S. filing date under 35 U.S.C. 384), and having an international filing date of Mar. 24, 2017, now Pat. No. Des. 857,981.

\* cited by examiner

*Primary Examiner* — Natasha Vujcic

(74) *Attorney, Agent, or Firm* — Daniel J. Piotrowski

(30) **Foreign Application Priority Data**

Oct. 3, 2016 (EM) ..... 003403518-0001

(51) **LOC (12) Cl.** ..... **26-05**

(52) **U.S. Cl.**  
USPC ..... **D26/138**

(58) **Field of Classification Search**

USPC ..... D26/72, 74, 76, 78–83, 85, 86, 88, 90, D26/93, 111, 113, 118, 119, 120, 121, D26/122, 138, 139, 140, 141, 142, 152  
CPC ..... F21S 2/00; F21S 4/00; F21S 4/003; F21S 4/005; F21S 4/006; F21S 4/007; F21S 4/008; F21S 6/00; F21S 8/00; F21S 8/024; F21S 8/026; F21S 8/031; F21S 8/033; F21S 8/035–037; F21S 8/04; F21S 8/043; F21S 8/063

See application file for complete search history.

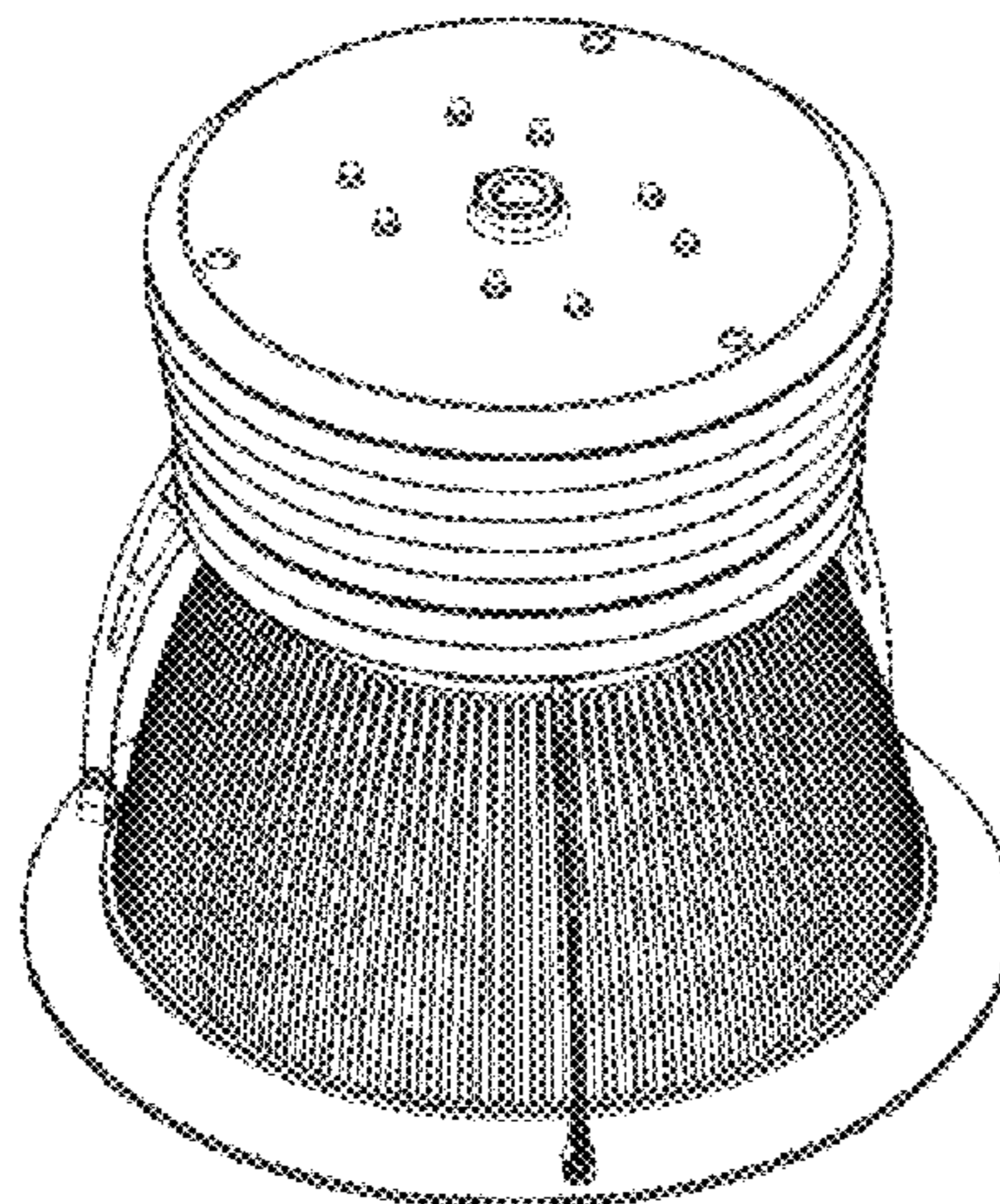
(57) **CLAIM**

The ornamental design for a “high-bay luminaire”, as shown and described.

**DESCRIPTION**

FIG. 1 is a top perspective view of a high-bay luminaire showing our new design;  
FIG. 2 is a front elevational view thereof;  
FIG. 3 is a back elevational view thereof;  
FIG. 4 is a right side elevational view thereof;  
FIG. 5 is a left side elevational view thereof;  
FIG. 6 is a top plan view thereof; and,  
FIG. 7 is a bottom plan view thereof.  
The dash-dot-dash broken lines shown represent the bounds of the claim and forms no part thereof and the dashed broken

(Continued)



lines shown therein illustrate portions of the luminaire that form no part of the claimed design.

**1 Claim, 4 Drawing Sheets**

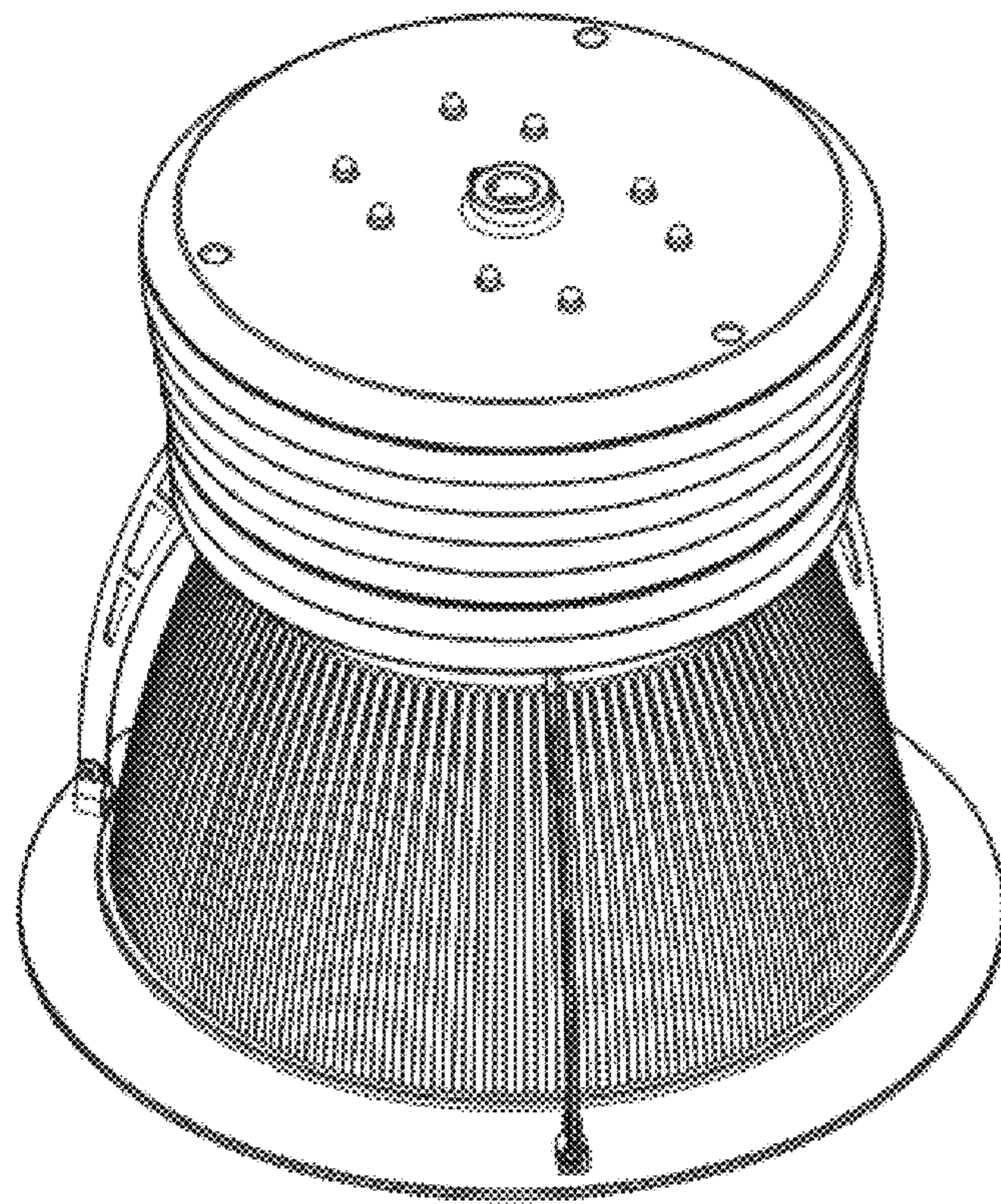


Fig. 1



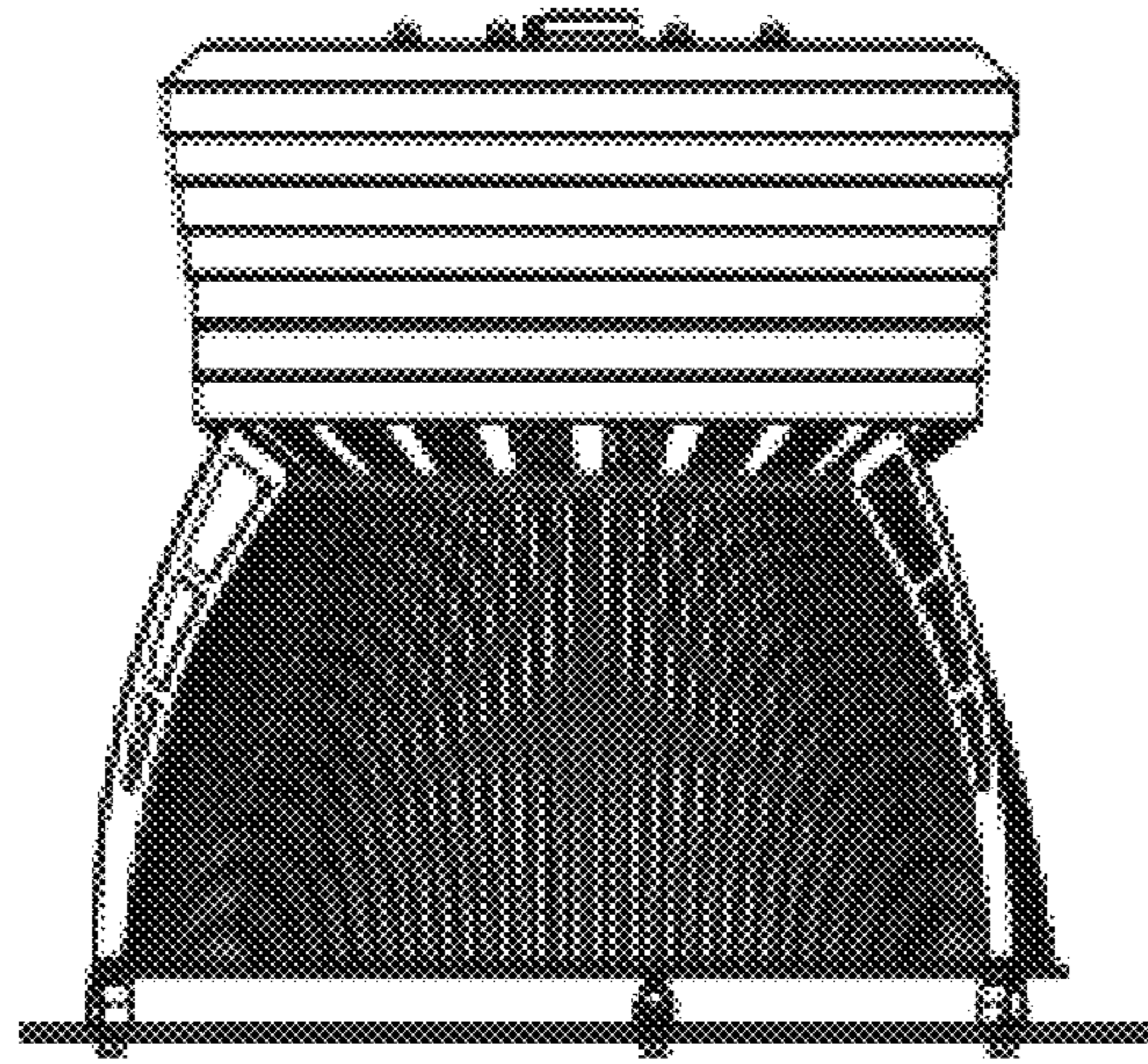


Fig. 2

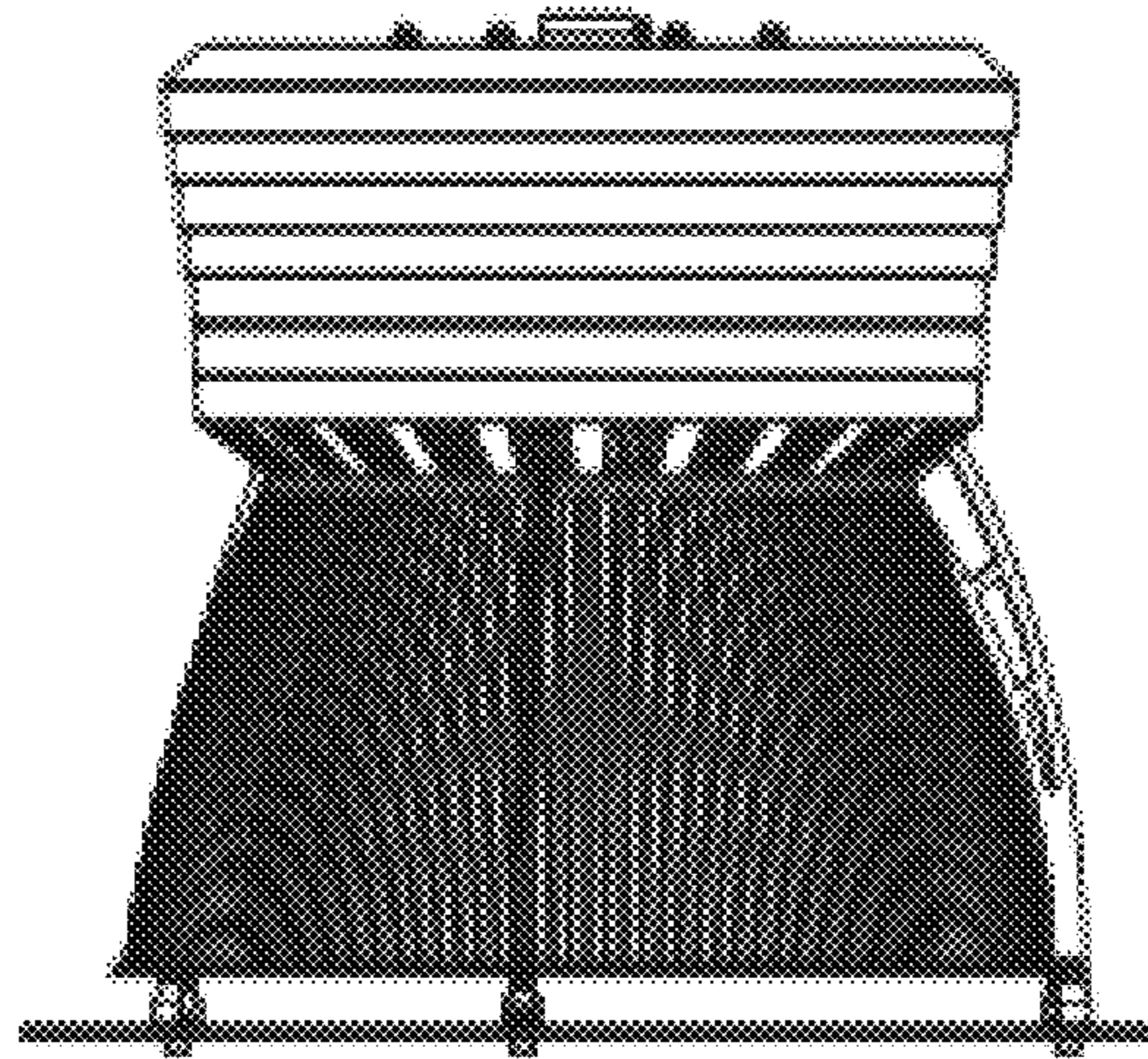


Fig. 3

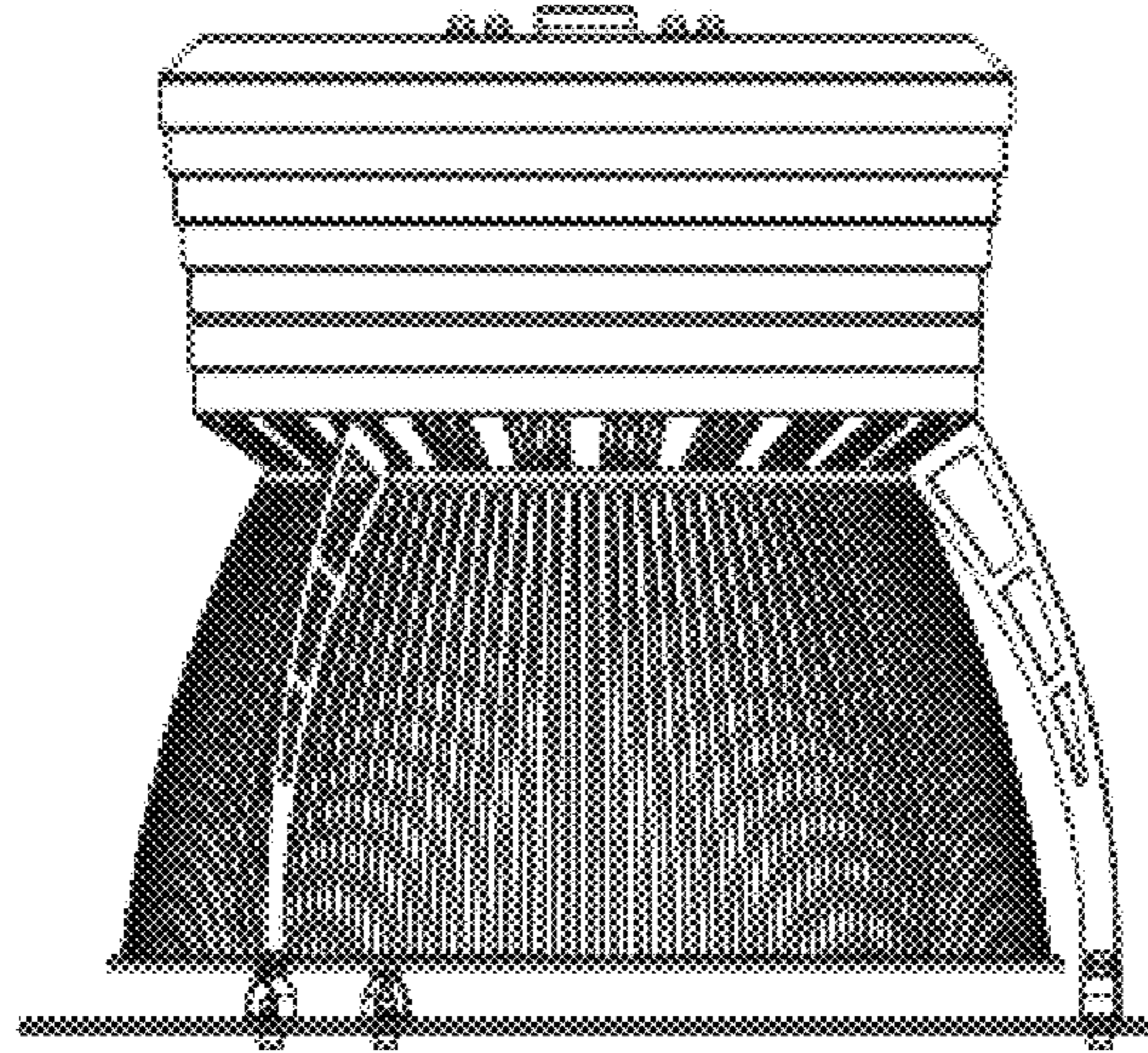


Fig. 4

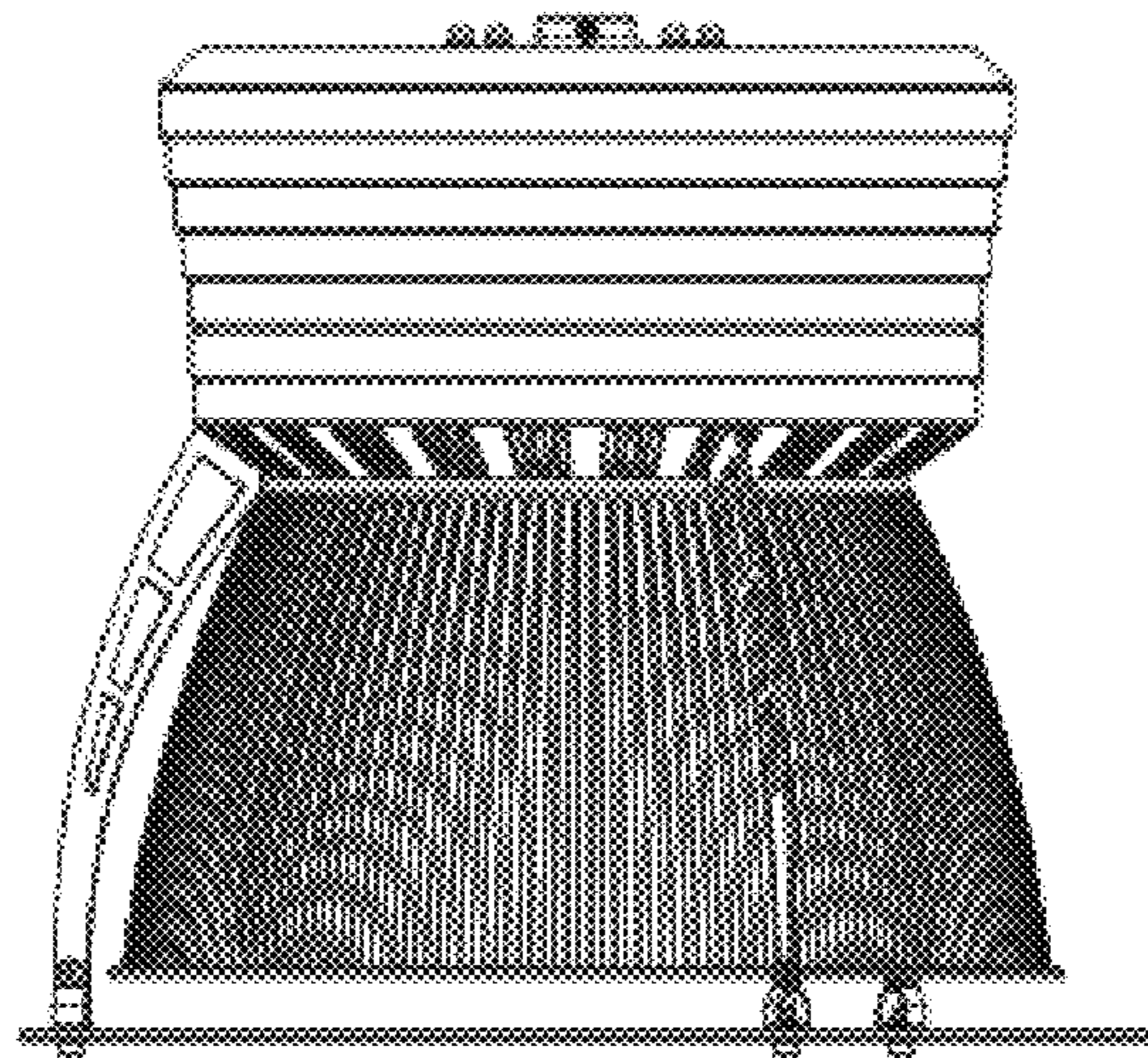


Fig. 5

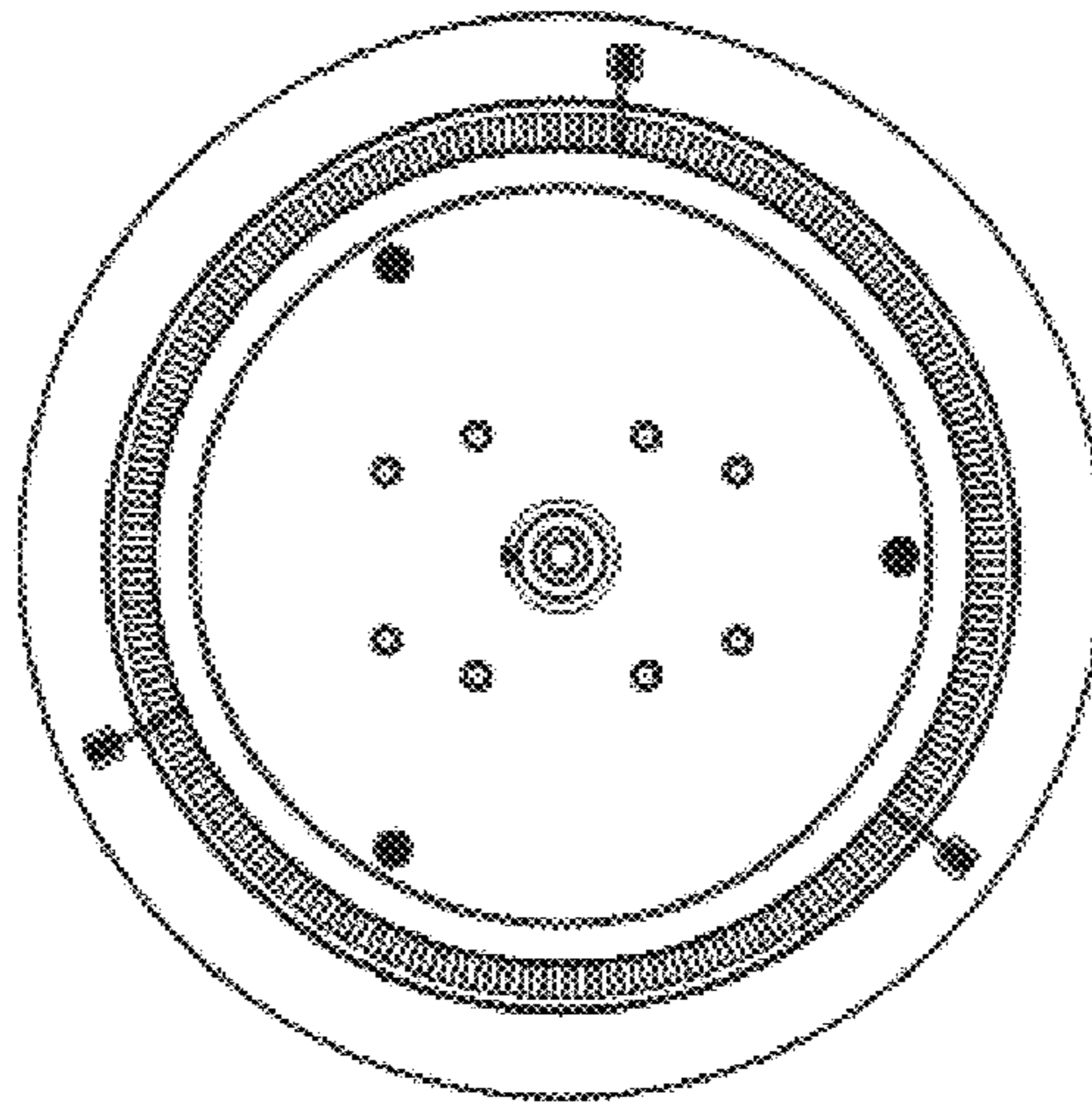


Fig. 6

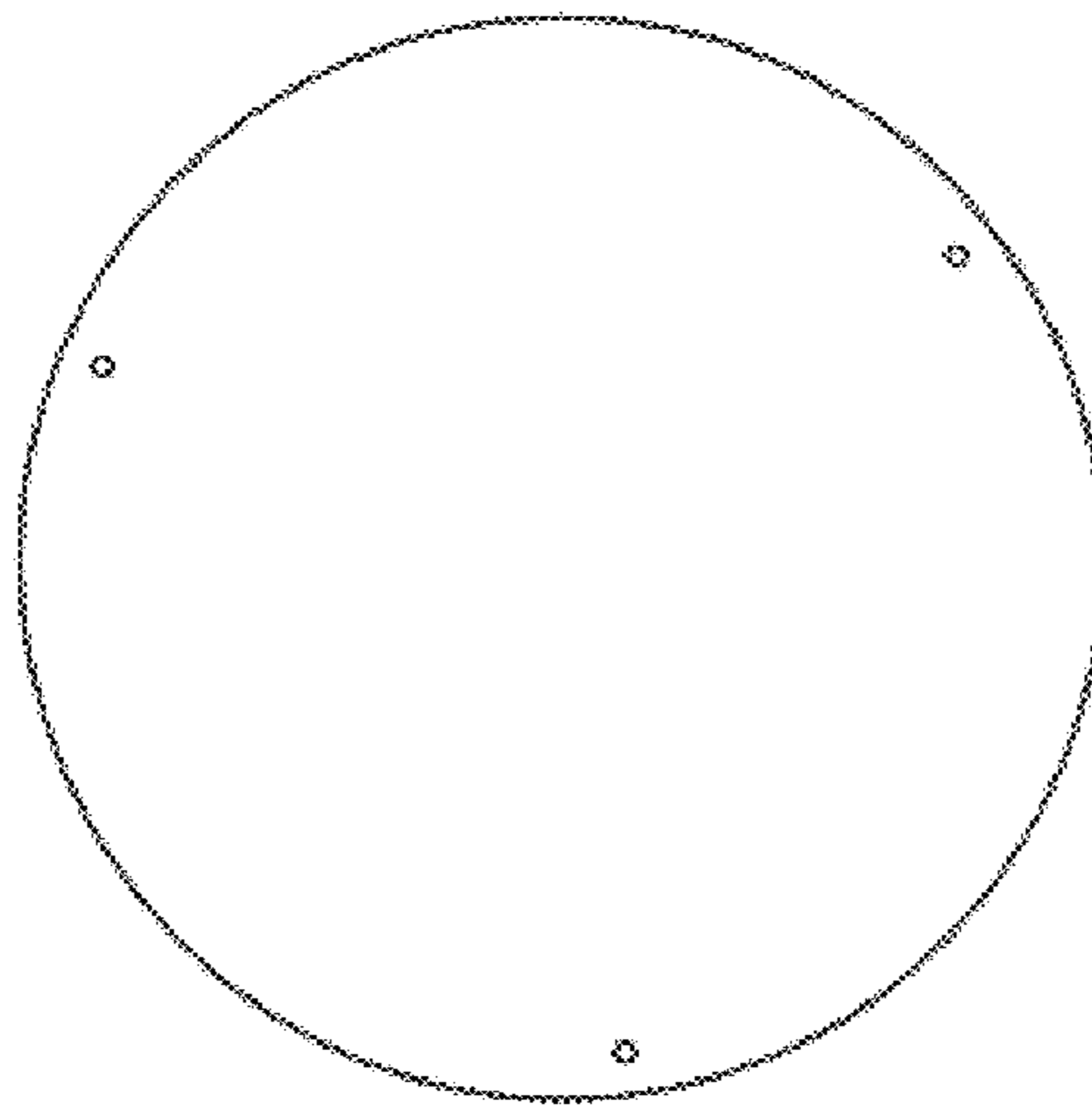


Fig. 7