



US00D890409S

(12) **United States Design Patent** (10) **Patent No.:** **US D890,409 S**  
**Park** (45) **Date of Patent:** **\*\* Jul. 14, 2020**

- (54) **LIGHT**
- (71) Applicant: **Dukesea Pty. Limited**, Bellingen (AU)
- (72) Inventor: **Sinclair Park**, Bellingen (AU)
- (73) Assignee: **Dukesea Pty. Limited**, Bellingen (AU)
- (\*\*) Term: **15 Years**
- (21) Appl. No.: **29/666,392**
- (22) Filed: **Oct. 12, 2018**

**Related U.S. Application Data**

- (63) Continuation-in-part of application No. 29/621,785, filed on Oct. 11, 2017.

**Foreign Application Priority Data**

Apr. 12, 2018 (AU) ..... 201812137

- (51) **LOC (12) Cl.** ..... **26-05**
- (52) **U.S. Cl.**  
USPC ..... **D26/138**
- (58) **Field of Classification Search**  
USPC .... D26/1, 24, 26-28, 37-50, 35, 36, 61, 62, D26/63, 64, 65, 66, 71, 72, 73, 74, 75, D26/87, 89, 76, 78, 79, 80, 81, 82, 83, D26/85, 86, 88, 90, 113, 118, 119, 120, D26/121  
CPC ..... F21Y 2107/30; F21V 29/507  
See application file for complete search history.

**References Cited**

**U.S. PATENT DOCUMENTS**

- D204,901 S \* 5/1966 Atkin ..... D26/138
- D546,762 S \* 7/2007 Kovacs ..... D13/134
- 7,279,633 B2 \* 10/2007 Waters ..... H02G 3/08  
174/50
- D570,036 S \* 5/2008 Conroy ..... D26/138

- D581,586 S \* 11/2008 Conroy ..... D26/138
- D610,280 S \* 2/2010 Hua ..... D26/24
- 7,854,627 B1 \* 12/2010 Gretz ..... H02G 3/083  
439/557
- D658,328 S \* 4/2012 Baldwin ..... D26/138
- D687,586 S \* 8/2013 Rashidi ..... D26/74
- D698,071 S \* 1/2014 Messiaen ..... D26/74
- D699,390 S \* 2/2014 Langer ..... D26/138
- D709,643 S \* 7/2014 Kohler ..... D26/138
- D734,434 S \* 7/2015 Witkowski ..... D23/249
- D743,617 S \* 11/2015 Clifton-Draper ..... D26/114
- 9,194,562 B2 \* 11/2015 Kim ..... F21V 21/00
- D818,185 S \* 5/2018 Wilson ..... D26/138
- D818,192 S \* 5/2018 Price ..... D26/138
- D818,632 S \* 5/2018 Kotovsky ..... D26/118
- D819,259 S \* 5/2018 McTaggart ..... D26/128
- D831,879 S \* 10/2018 Minale ..... D26/113
- 2005/0128752 A1 \* 6/2005 Ewington ..... F21V 29/004  
362/294

\* cited by examiner

*Primary Examiner* — Mark A Goodwin

*Assistant Examiner* — Benjamin M Weeks

(74) *Attorney, Agent, or Firm* — Ipsilon USA, LLP

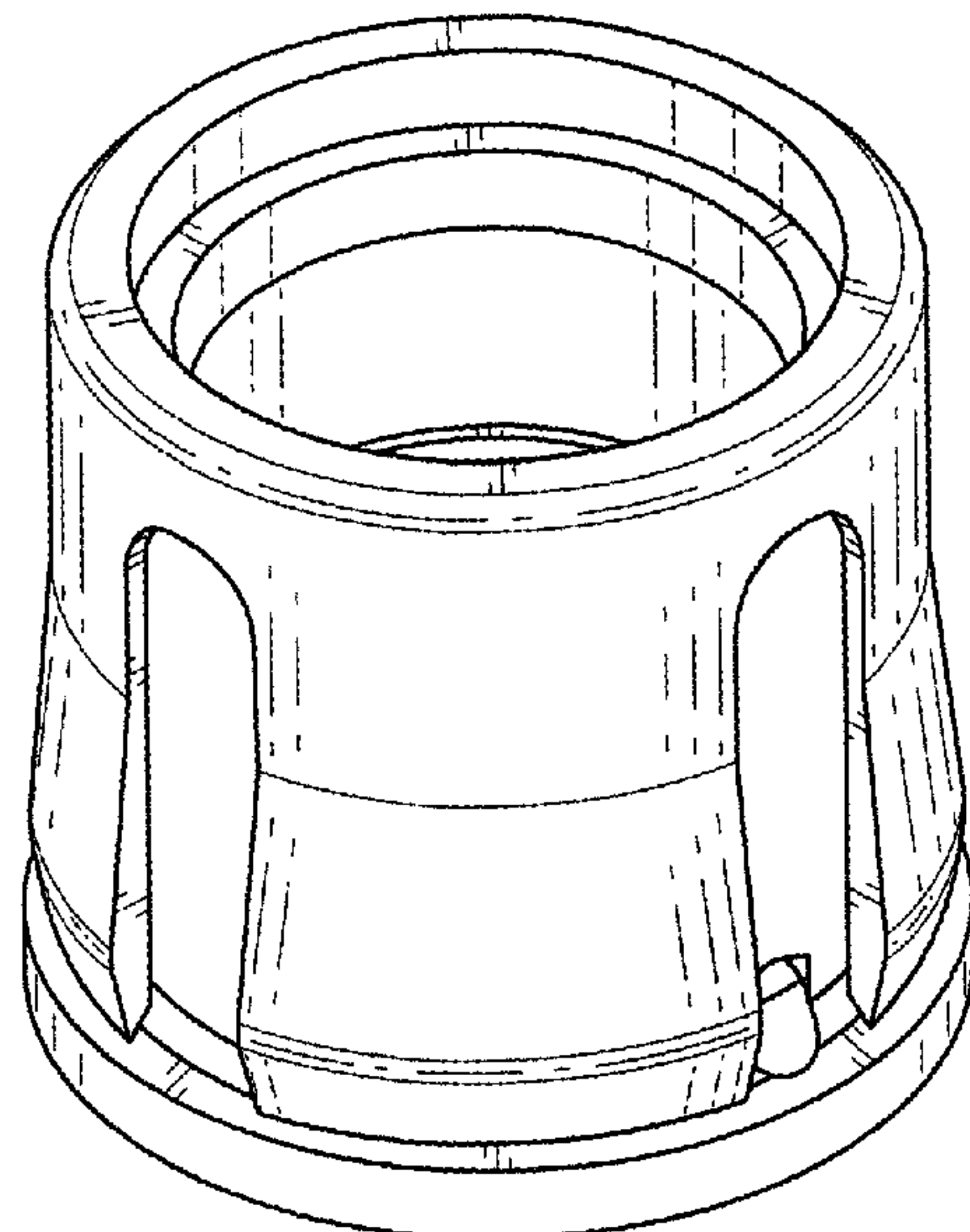
(57) **CLAIM**

The ornamental design for a light, as shown and described.

**DESCRIPTION**

FIG. 1 is an upper perspective view of a light;  
 FIG. 2 is an upper perspective view of the light shown in FIG. 1;  
 FIG. 3 is a lower perspective view of the light shown in FIG. 1;  
 FIG. 4 is a front view of the light shown in FIG. 1;  
 FIG. 5 is a plan view of the light shown in FIG. 1; and,  
 FIG. 6 is a left and right side view of the light shown in FIG. 1.

**1 Claim, 6 Drawing Sheets**



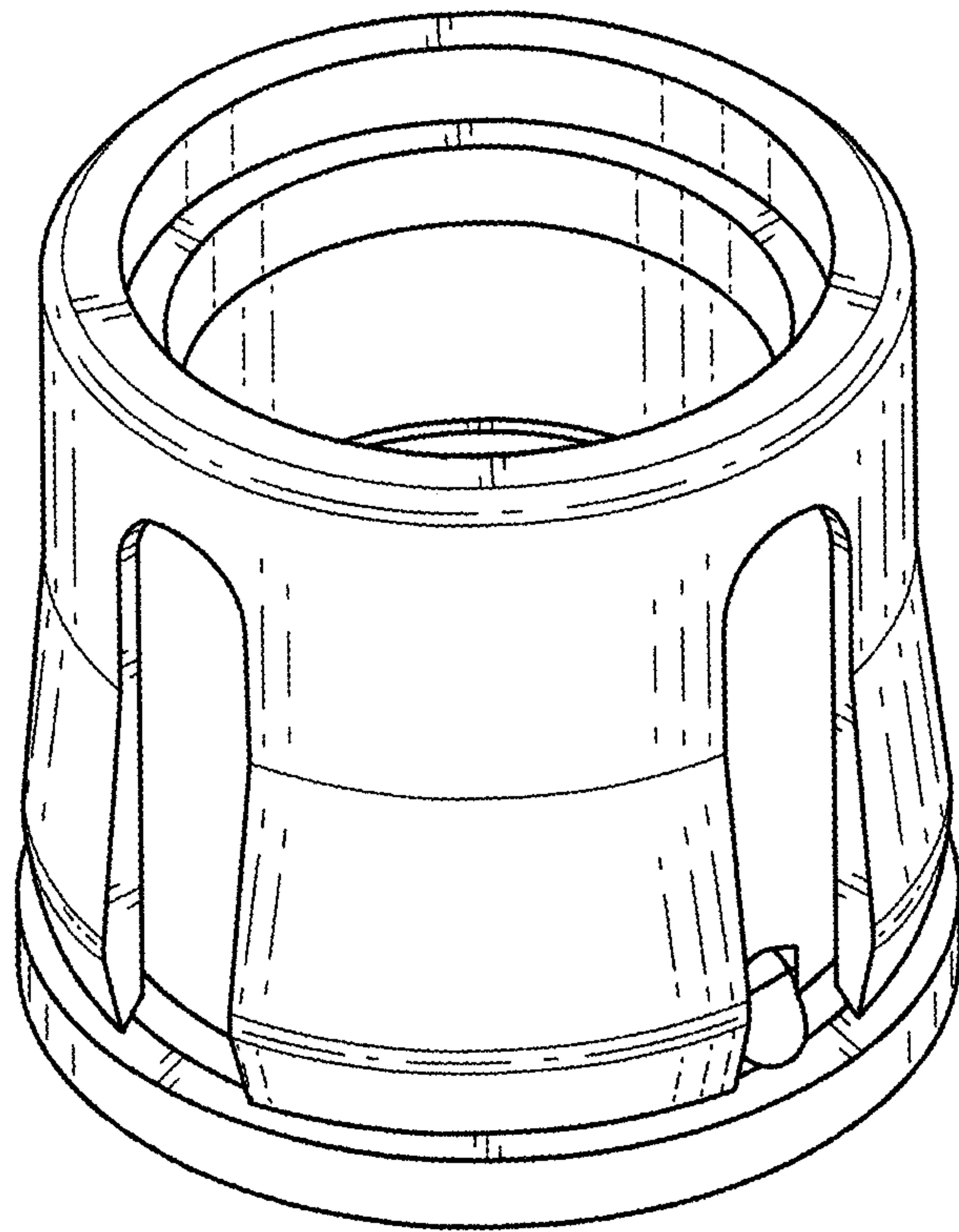


FIG. 1

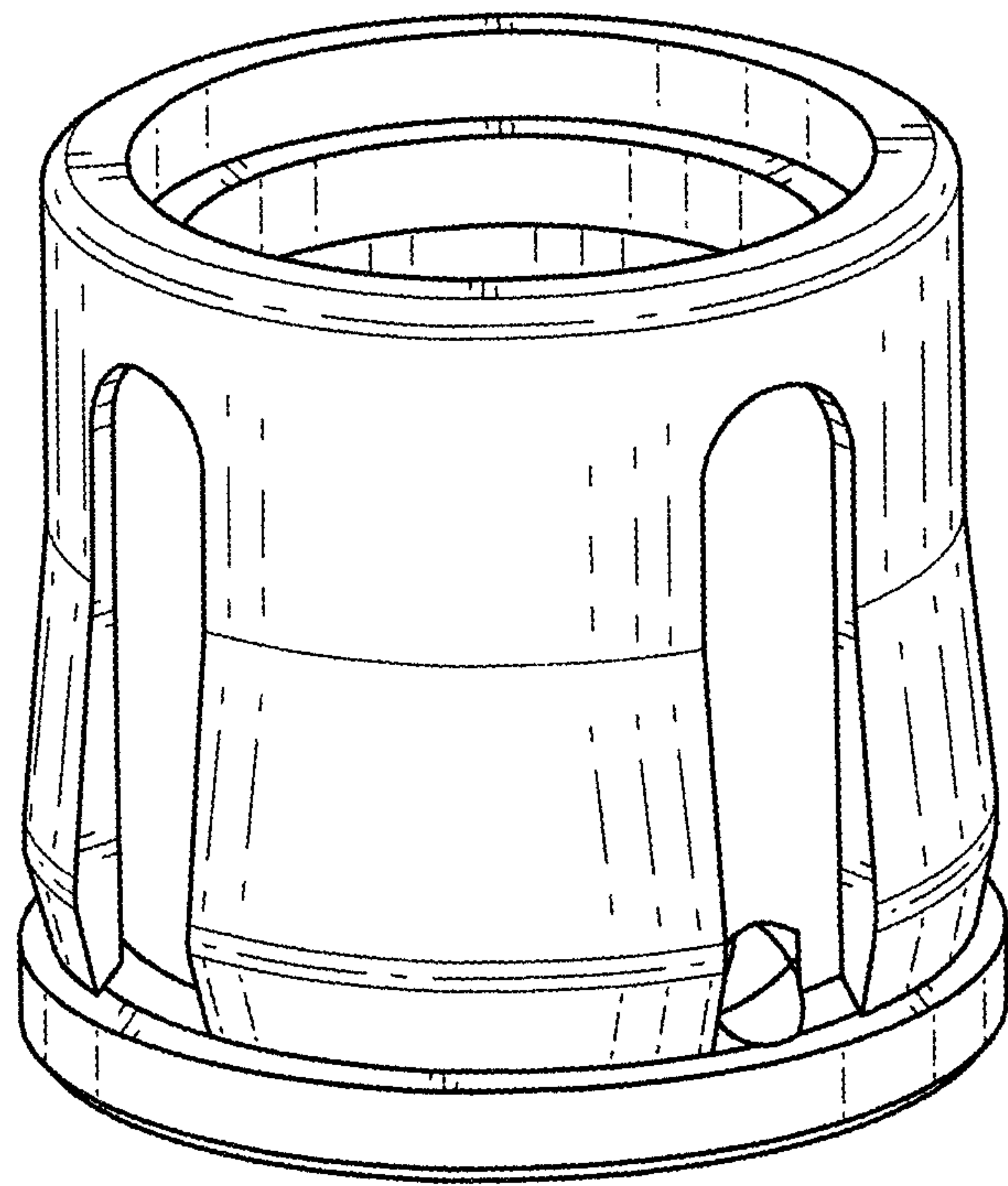


FIG. 2

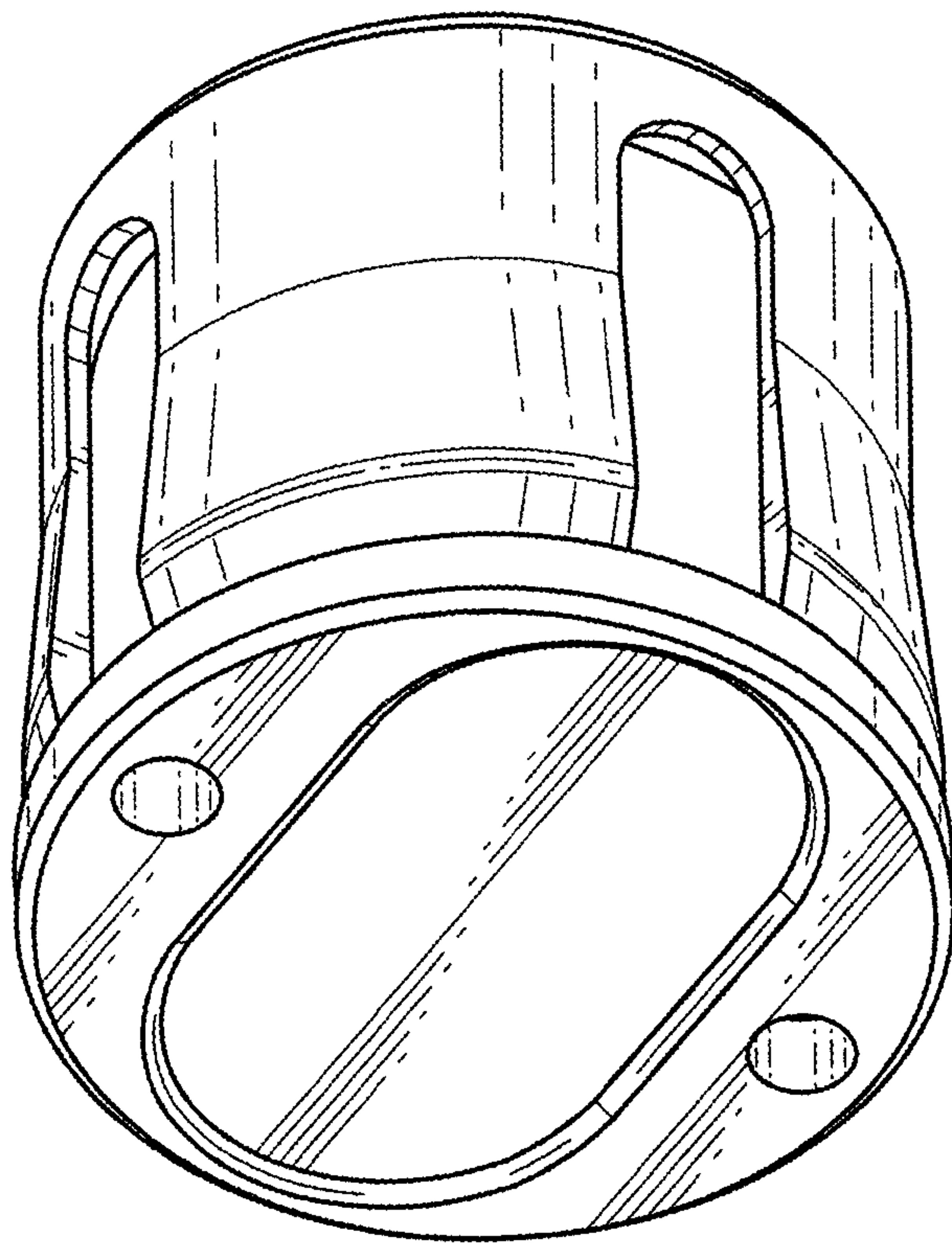


FIG. 3

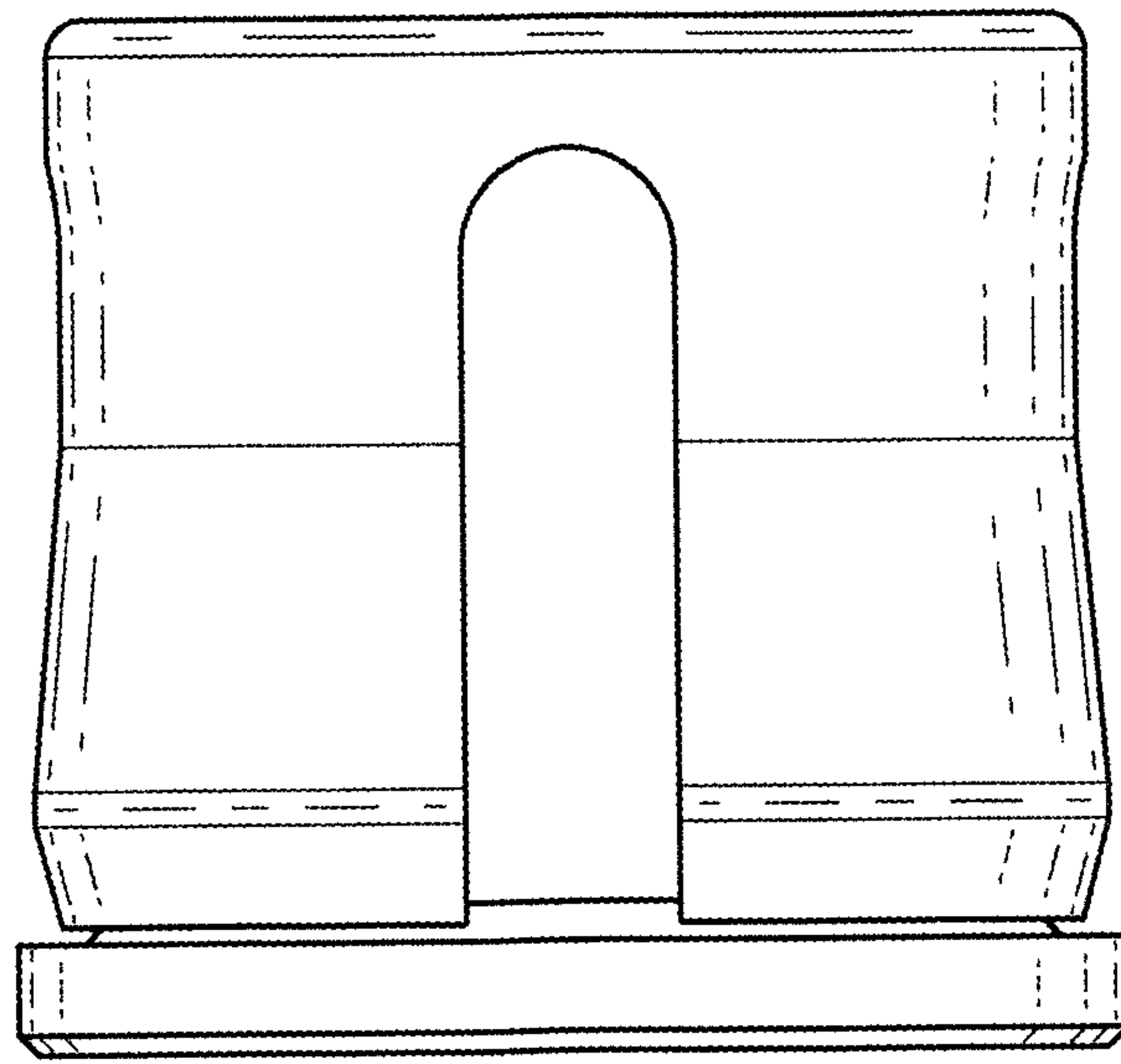


FIG. 4



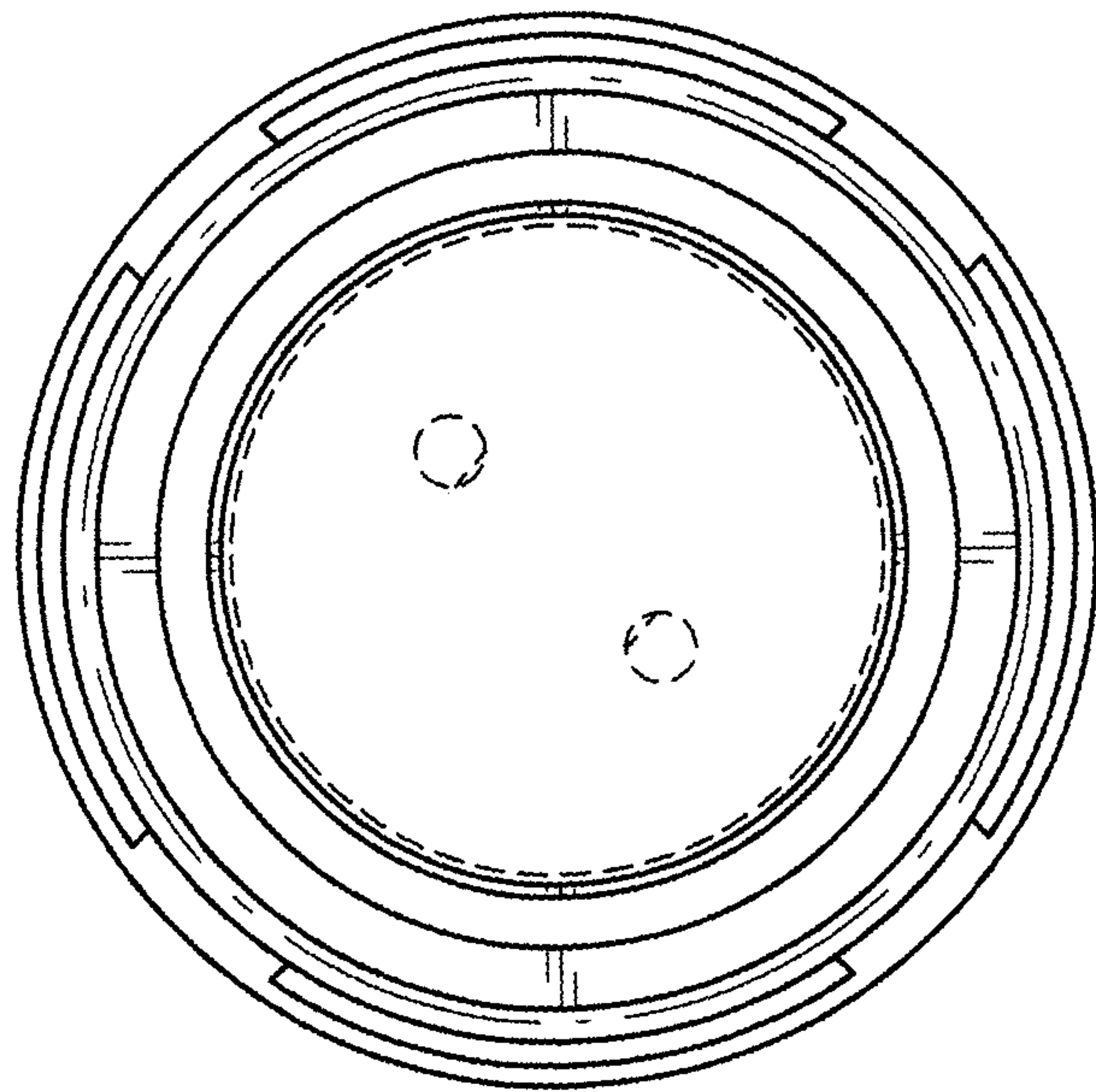


FIG. 5

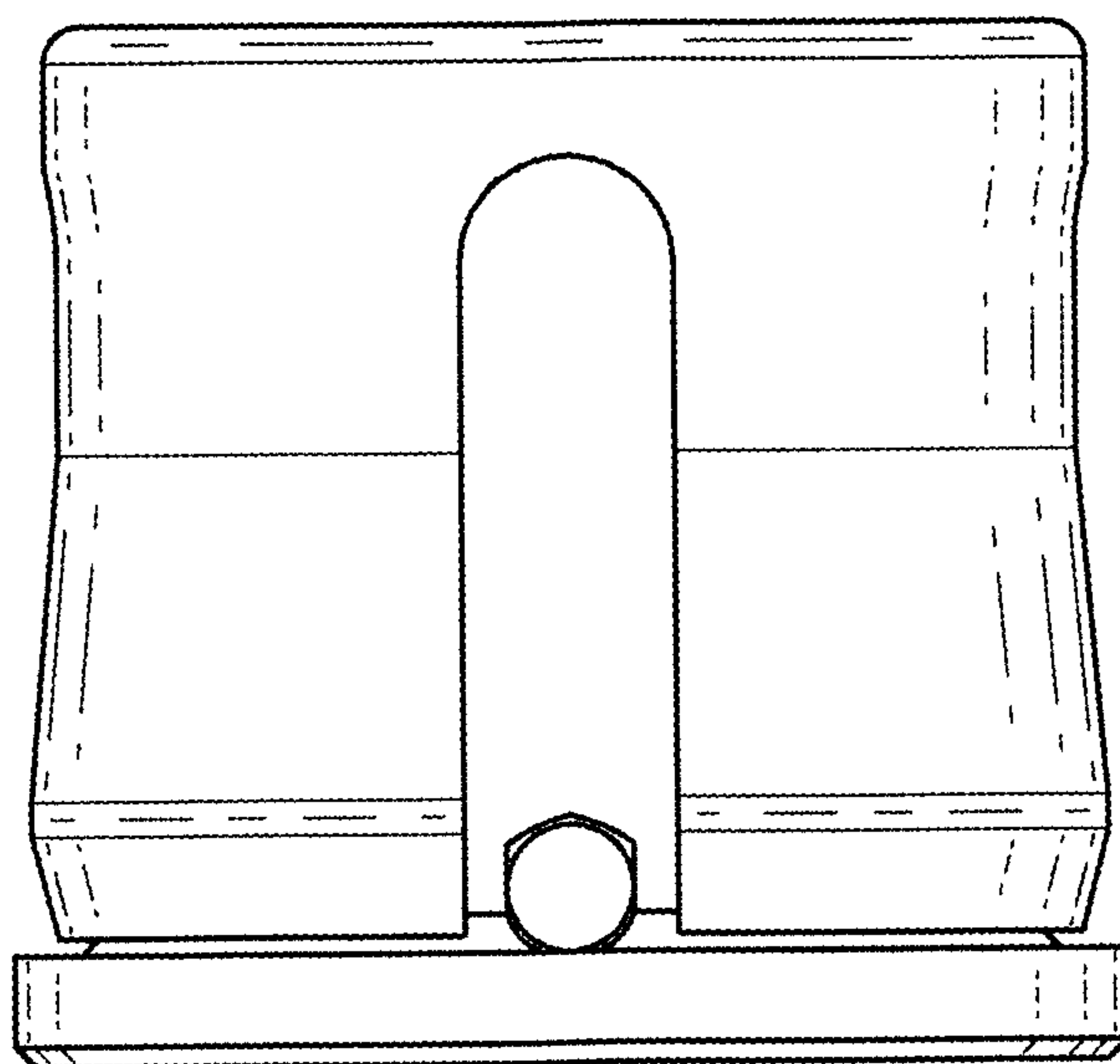


FIG. 6