



US00D890407S

(12) **United States Design Patent**
Deng

(10) **Patent No.:** **US D890,407 S**

(45) **Date of Patent:** **** Jul. 14, 2020**

(54) **RECTANGULAR PLANT GROW LIGHTS**

(56) **References Cited**

(71) Applicant: **Jinsheng Deng**, Rancho Dominguez,
CA (US)

(72) Inventor: **Jinsheng Deng**, Rancho Dominguez,
CA (US)

(73) Assignee: **EVERY INDUSTRY LLCCA** (US)

(**) Term: **15 Years**

(21) Appl. No.: **29/655,831**

(22) Filed: **Jul. 8, 2018**

(51) **LOC (12) Cl.** **26-99**

(52) **U.S. Cl.**
USPC **D26/118**

(58) **Field of Classification Search**
USPC ... D26/9, 10, 12, 13, 15, 16, 24, 51, 61, 72,
D26/76, 80, 81, 85, 86, 88, 90, 113, 118,
D26/119, 120, 122, 128, 129, 138, 143,
D26/144

CPC B60Q 1/04; B60Q 1/26; F21S 8/026; F21S
8/04; F21L 19/00; F23D 11/443; F21Y
2101/02; F21V 21/02; F21V 29/004;
F21V 21/04; F21V 29/2212; F21V 7/22;
F21V 29/83; F21V 37/002; F21V 7/00;
A61L 9/037

See application file for complete search history.

U.S. PATENT DOCUMENTS

D674,964 S *	1/2013	Bailey	D26/118
D805,242 S *	12/2017	Hrach	D26/118
D822,881 S *	7/2018	Drew	D26/118
D838,032 S *	1/2019	Drew	D26/118
D848,663 S *	5/2019	Reynolds	D26/118
D848,665 S *	5/2019	Stanley	D26/118
D851,814 S *	6/2019	Stanley	D26/118

* cited by examiner

Primary Examiner — Brian N. Vinson

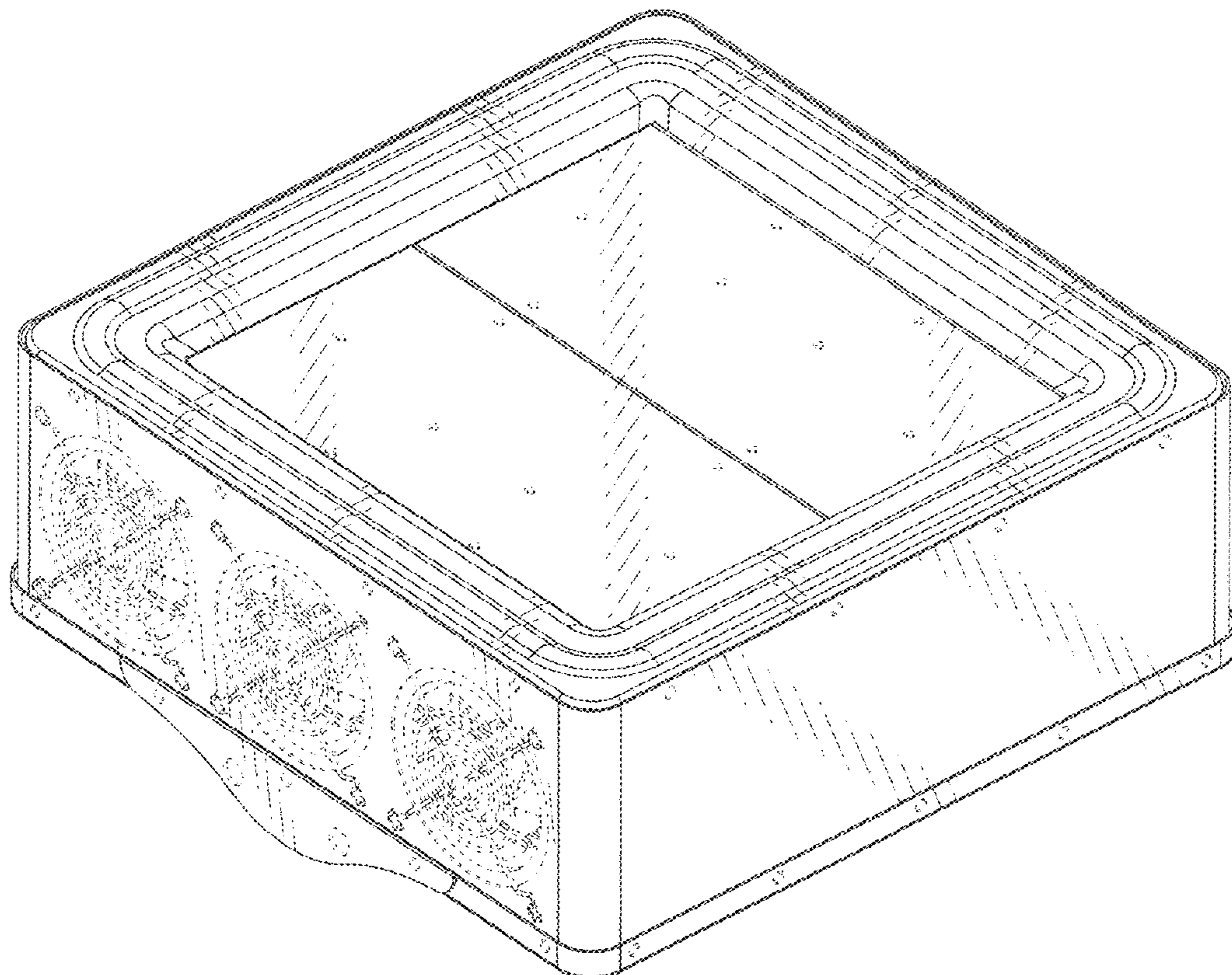
(57) **CLAIM**

The ornamental design for rectangular plant grow lights, as shown and described.

DESCRIPTION

FIG. 1 is a perspective view of rectangular plant grow lights showing my new design;
FIG. 2 is a front elevation view thereof;
FIG. 3 is a rear elevation view thereof;
FIG. 4 is a left side elevation view thereof;
FIG. 5 is a right side elevation view thereof;
FIG. 6 is a top plan view thereof;
FIG. 7 is a bottom plan view thereof; and,
FIG. 8 is another perspective view thereof.
The broken lines in the drawings illustrate portions of the rectangular plant grow lights that forms no part of the claimed design.

1 Claim, 8 Drawing Sheets



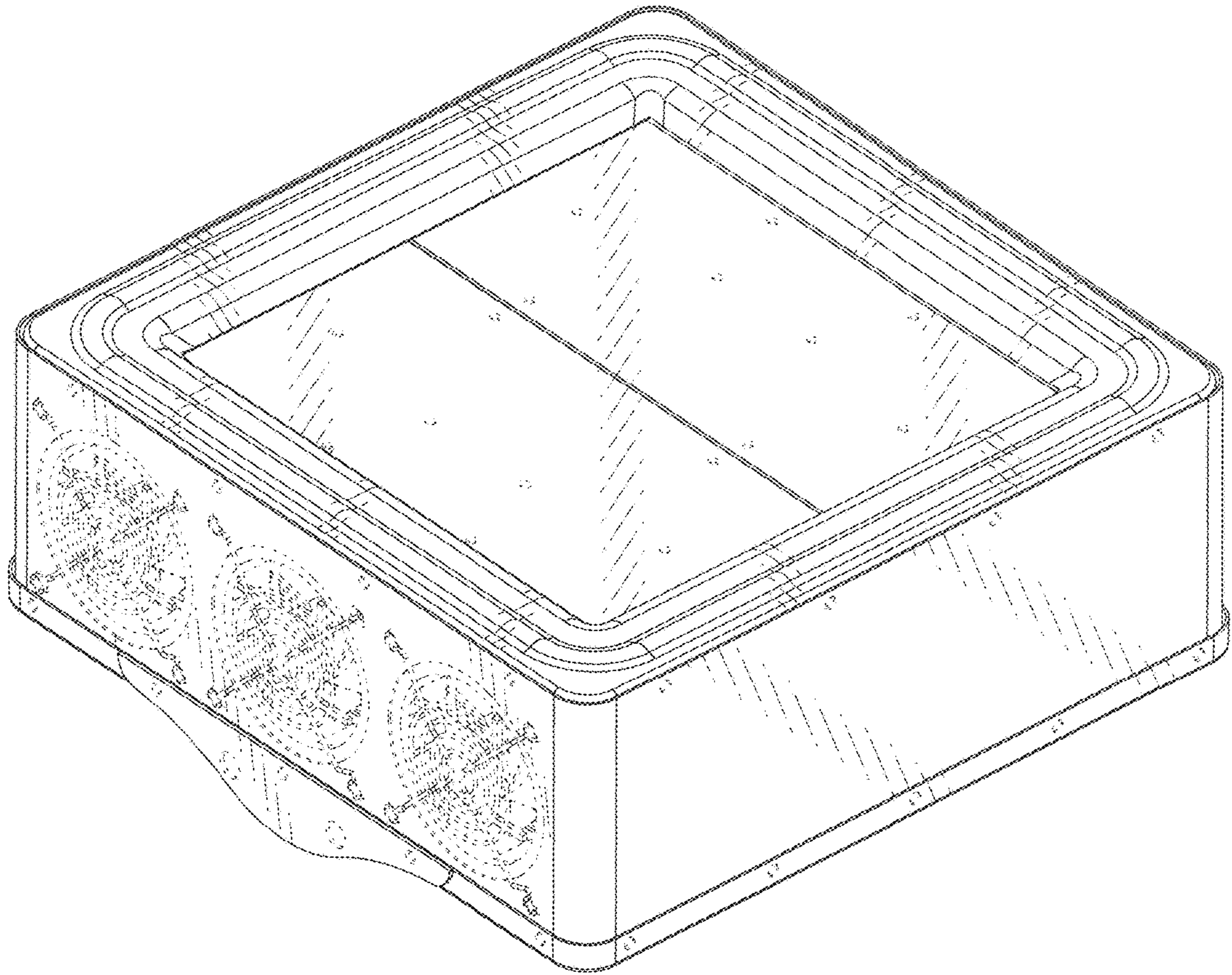


Fig.1

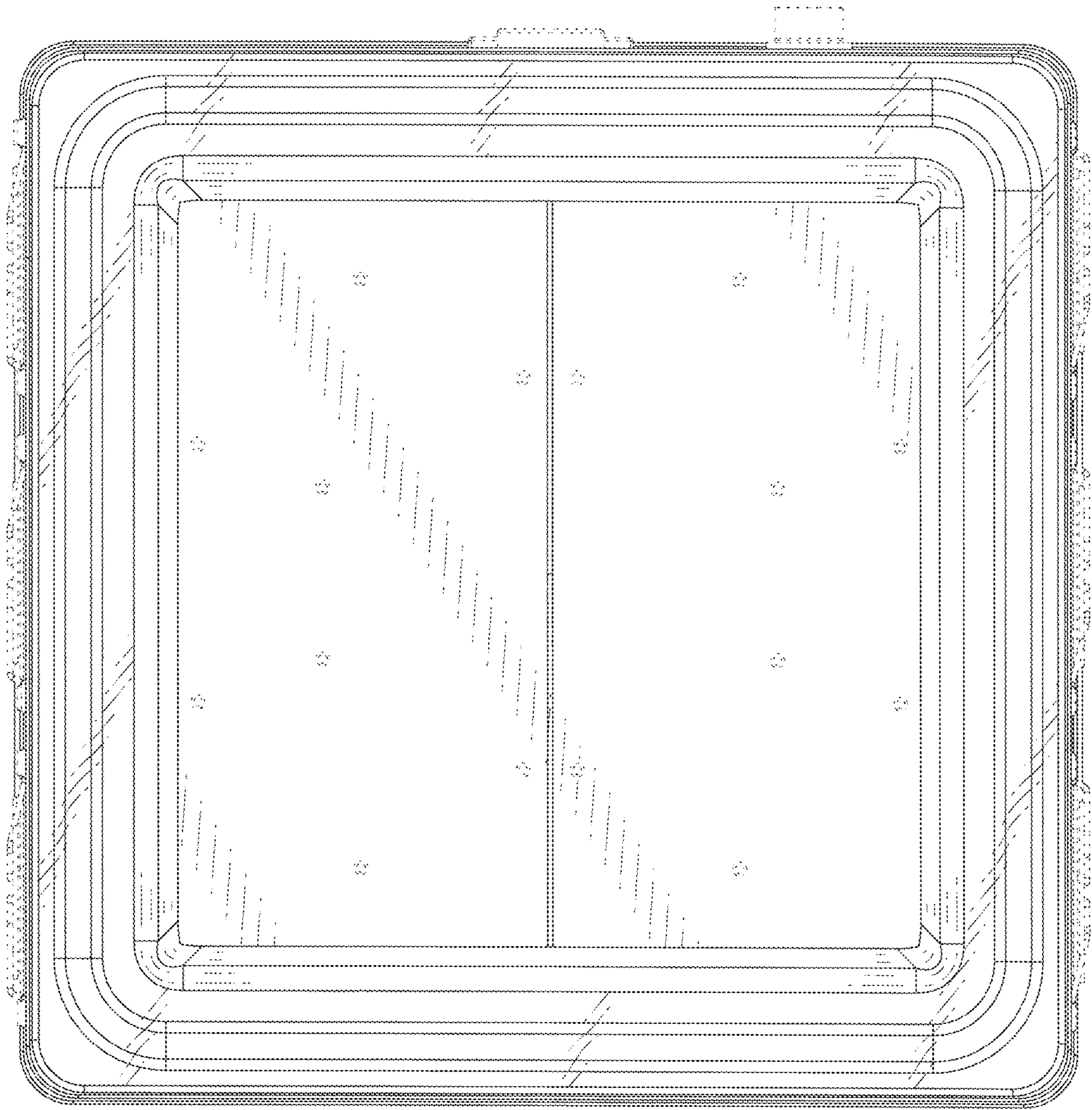


Fig.2

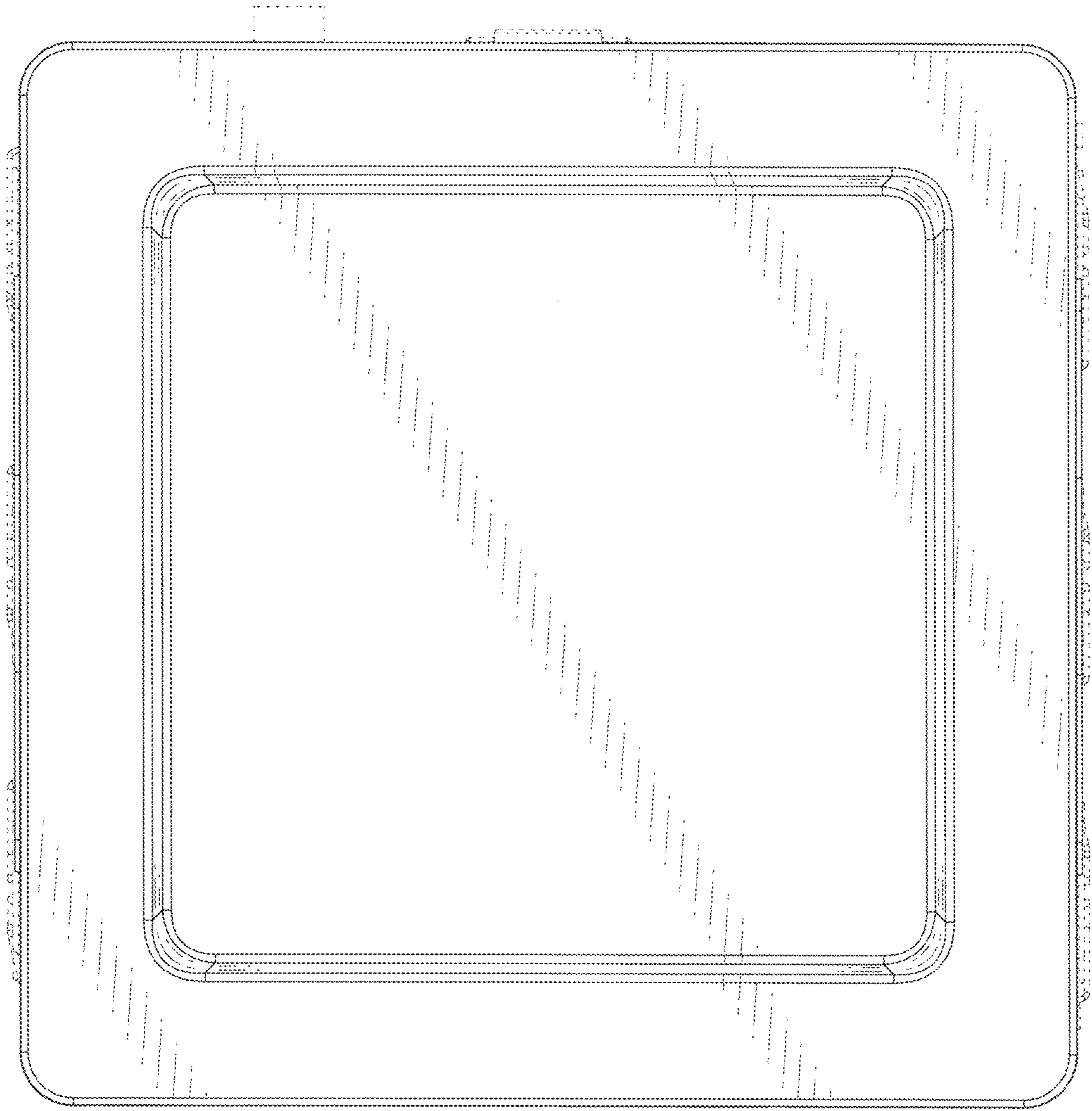


Fig.3

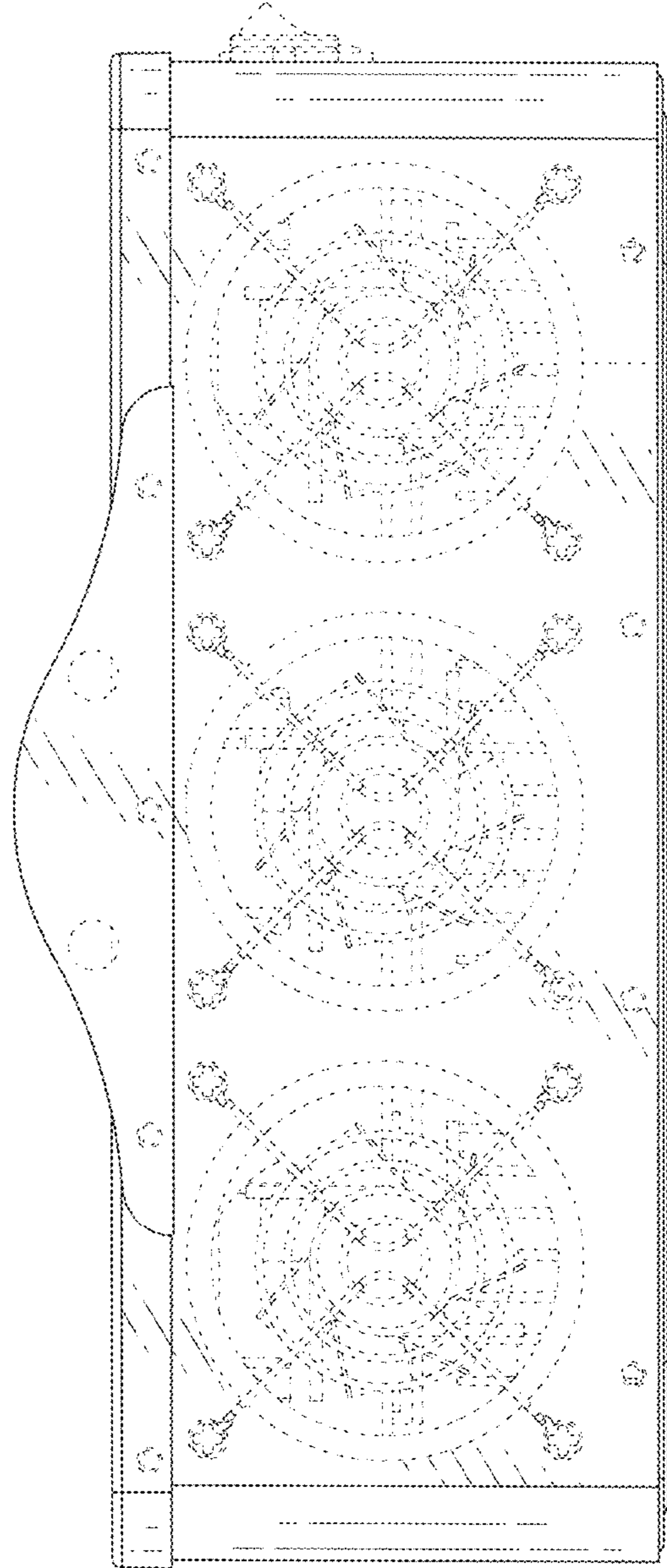


Fig.4

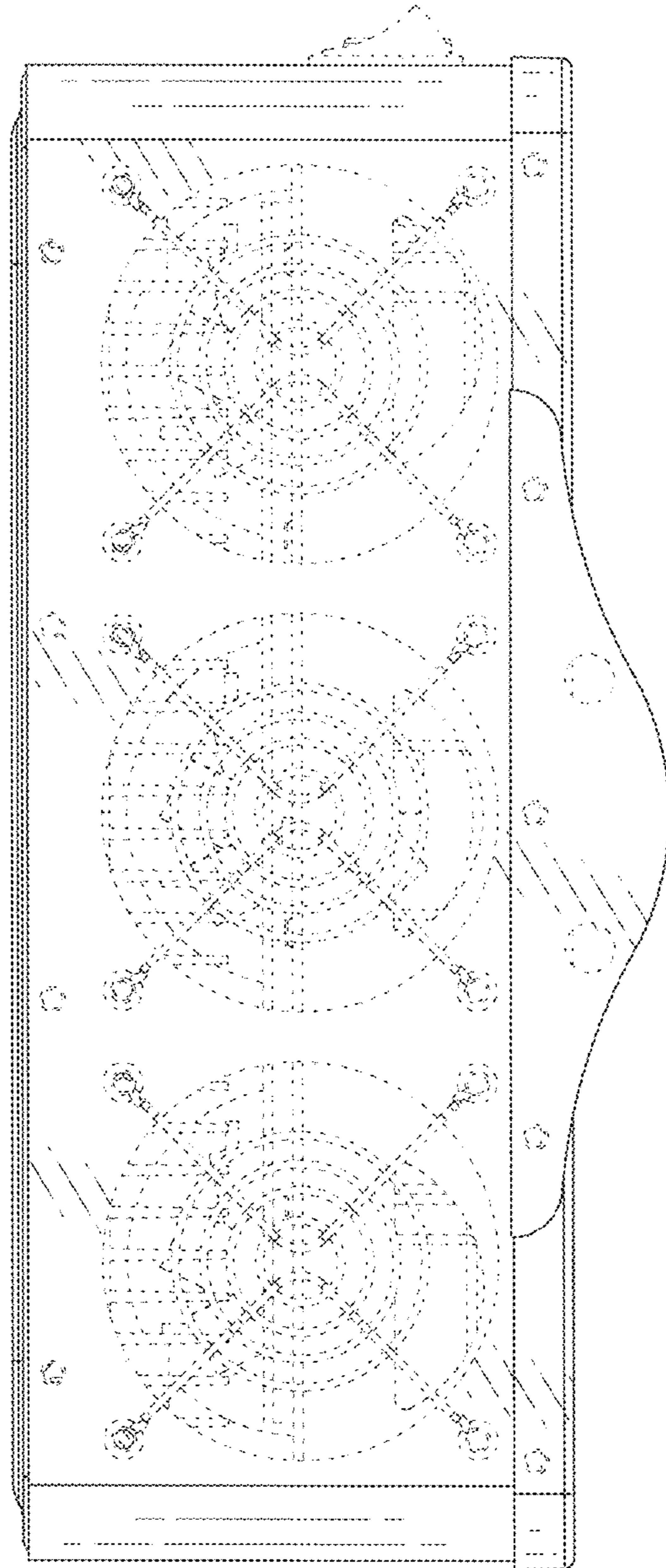


Fig.5

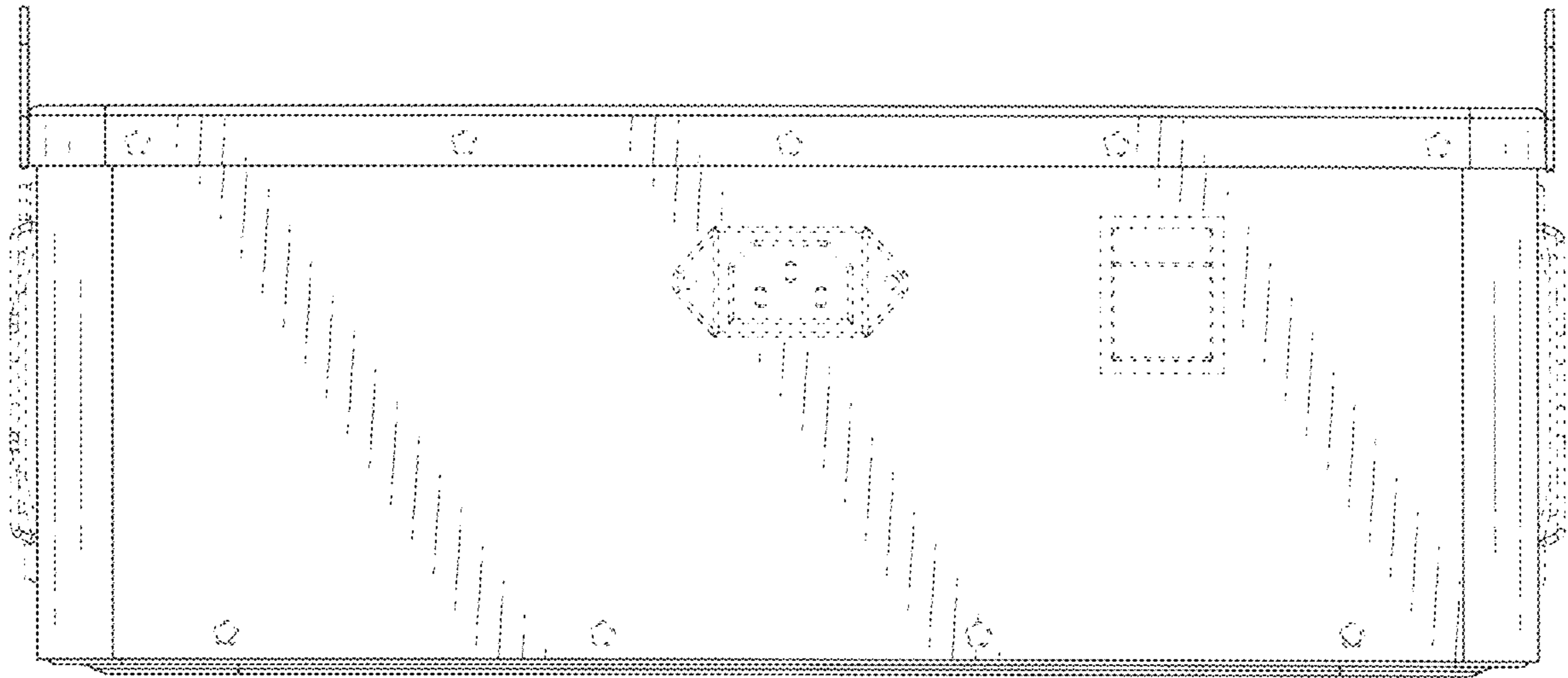


Fig.6

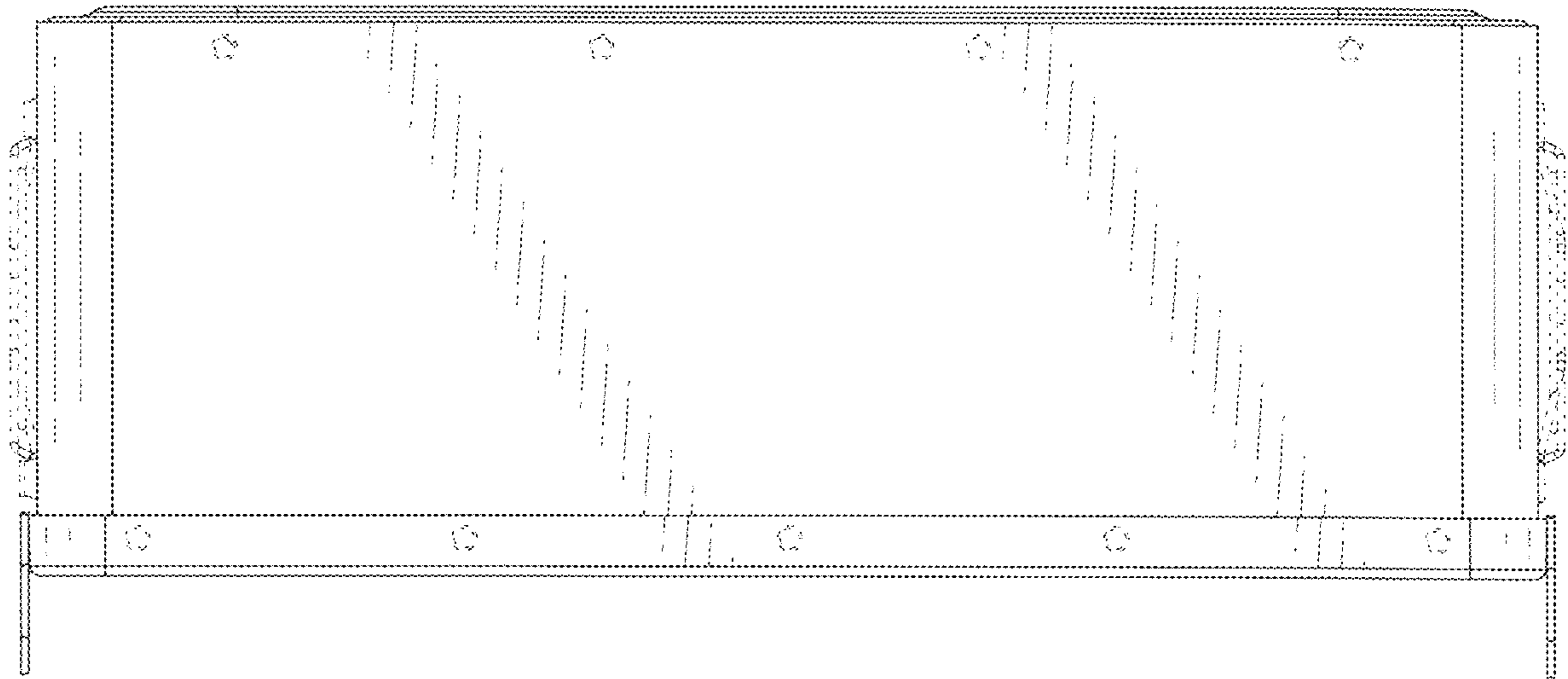


Fig.7

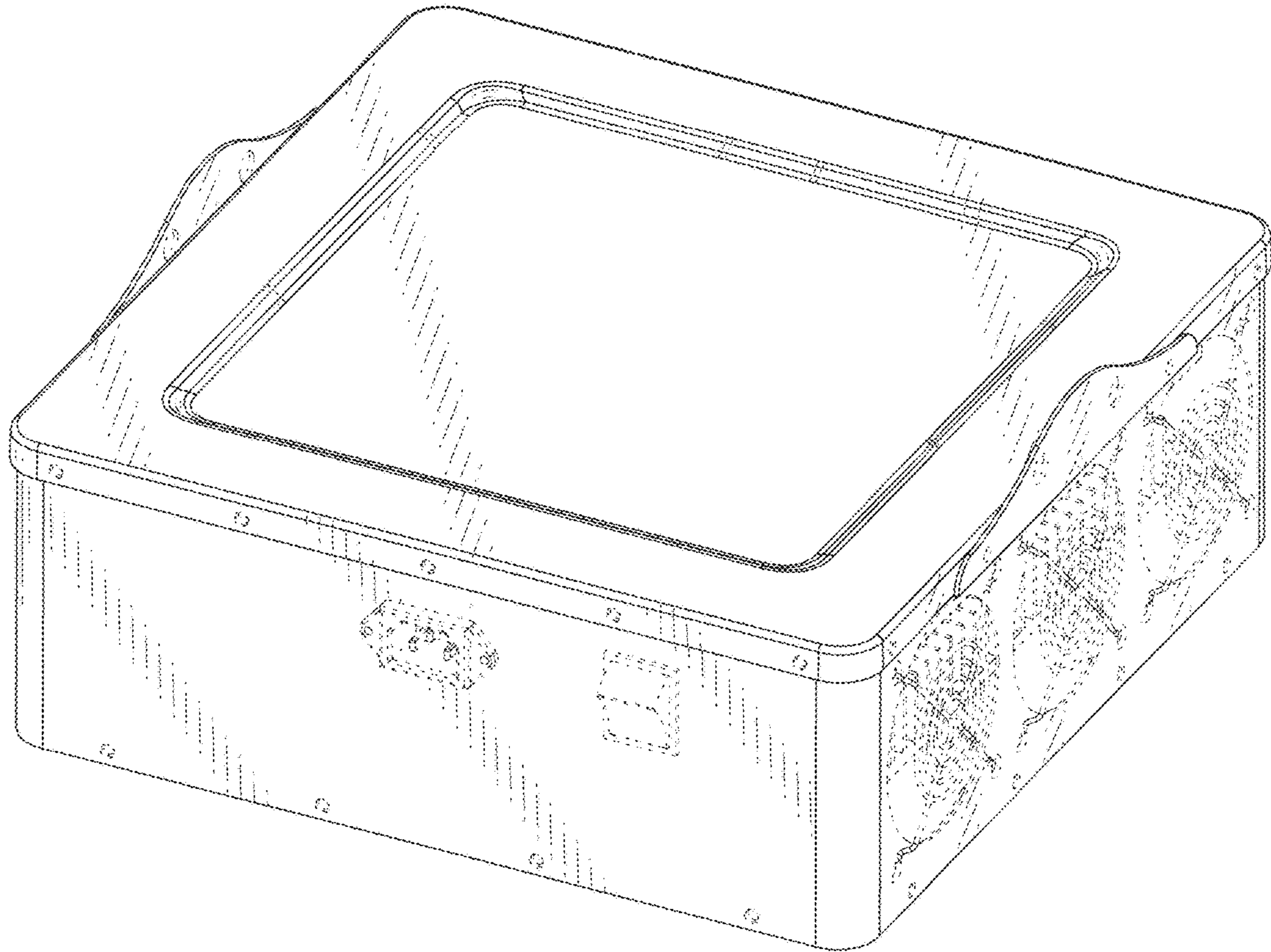


Fig.8