



US00D890404S

(12) **United States Design Patent**
Lin

(10) **Patent No.:** **US D890,404 S**

(45) **Date of Patent:** **** Jul. 14, 2020**

(54) **GARAGE LIGHT**

(71) Applicant: **Xiuyan Lin**, Puning (CN)

(72) Inventor: **Xiuyan Lin**, Puning (CN)

(**) Term: **15 Years**

(21) Appl. No.: **29/732,023**

(22) Filed: **Apr. 20, 2020**

(51) **LOC (12) Cl.** **26-03**

(52) **U.S. Cl.**
USPC **D26/89; D26/2**

(58) **Field of Classification Search**
USPC D26/2, 26, 72, 80, 84, 85, 89
CPC F21S 8/03; F21S 8/04; F21S 8/043; F21S
8/086
See application file for complete search history.

(56) **References Cited**

U.S. PATENT DOCUMENTS

D197,187 S *	12/1963	Lasker	D26/89
D667,969 S *	9/2012	Rioux	D26/2
D689,213 S *	9/2013	Chyan	D26/2
D697,645 S *	1/2014	Thirumurugan	D26/2
D745,734 S	12/2015	Chen		
D748,840 S *	2/2016	Lee	D26/2
D763,476 S *	8/2016	Cheng	D26/2
D763,478 S *	8/2016	Lee	D26/2

D795,488 S *	8/2017	Holscher	D26/89
D854,199 S *	7/2019	Pan	D26/2
D867,650 S *	11/2019	Cheng	D26/113

OTHER PUBLICATIONS

Multi-Point Illumination Motion Garage Ceiling Light at riskracing.com as early as Oct. 30, 2019. (Year: 2019).*

* cited by examiner

Primary Examiner — Clare E Heflin

(74) *Attorney, Agent, or Firm* — ZANIP

(57) **CLAIM**

The ornamental design for a garage light, as shown and described.

DESCRIPTION

FIG. 1 is a front and top perspective view of a garage light, showing my new design;

FIG. 2 is a rear and bottom perspective view thereof;

FIG. 3 is a front elevational view thereof;

FIG. 4 is a rear elevational view thereof;

FIG. 5 is a left side elevational view thereof;

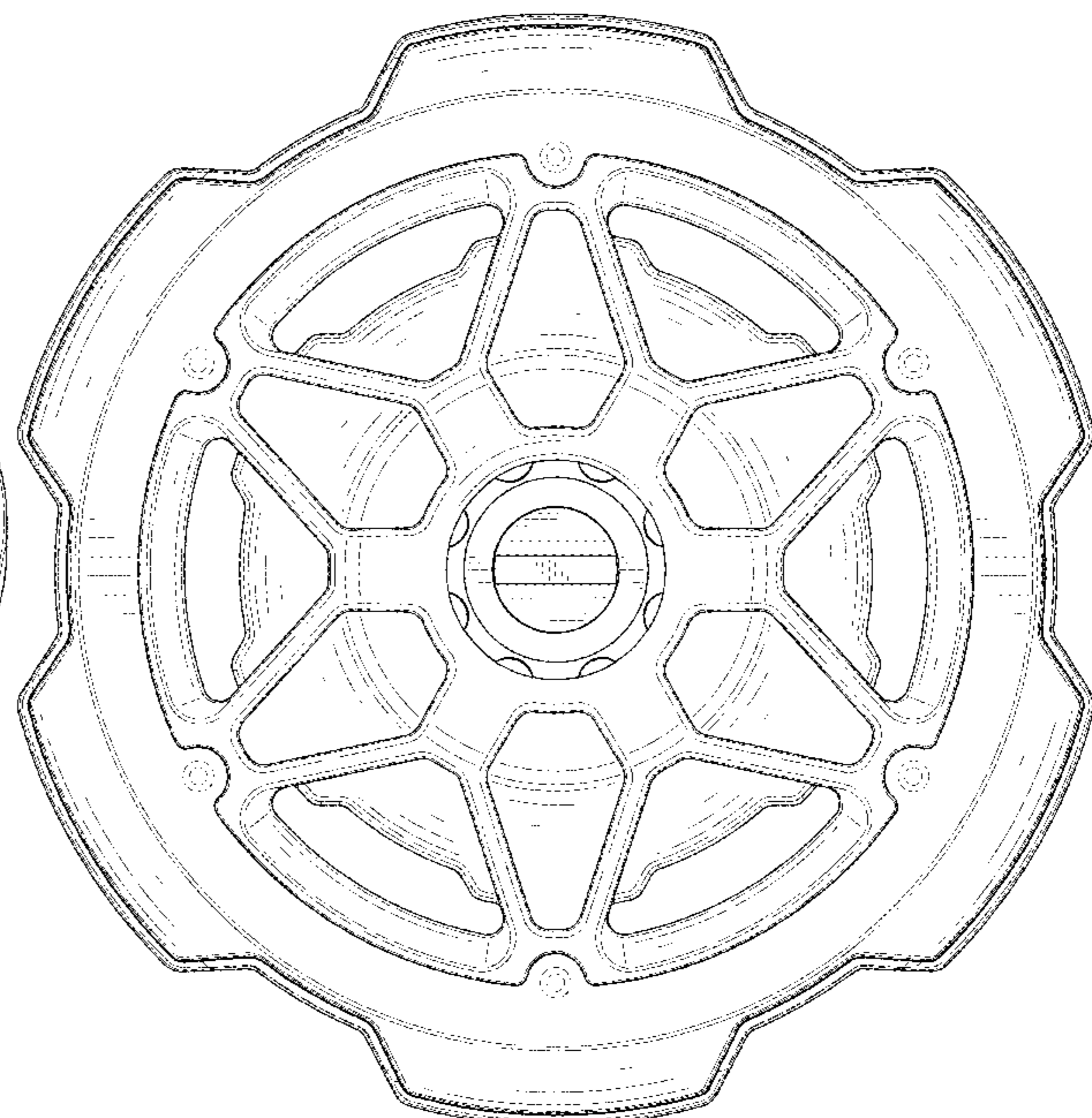
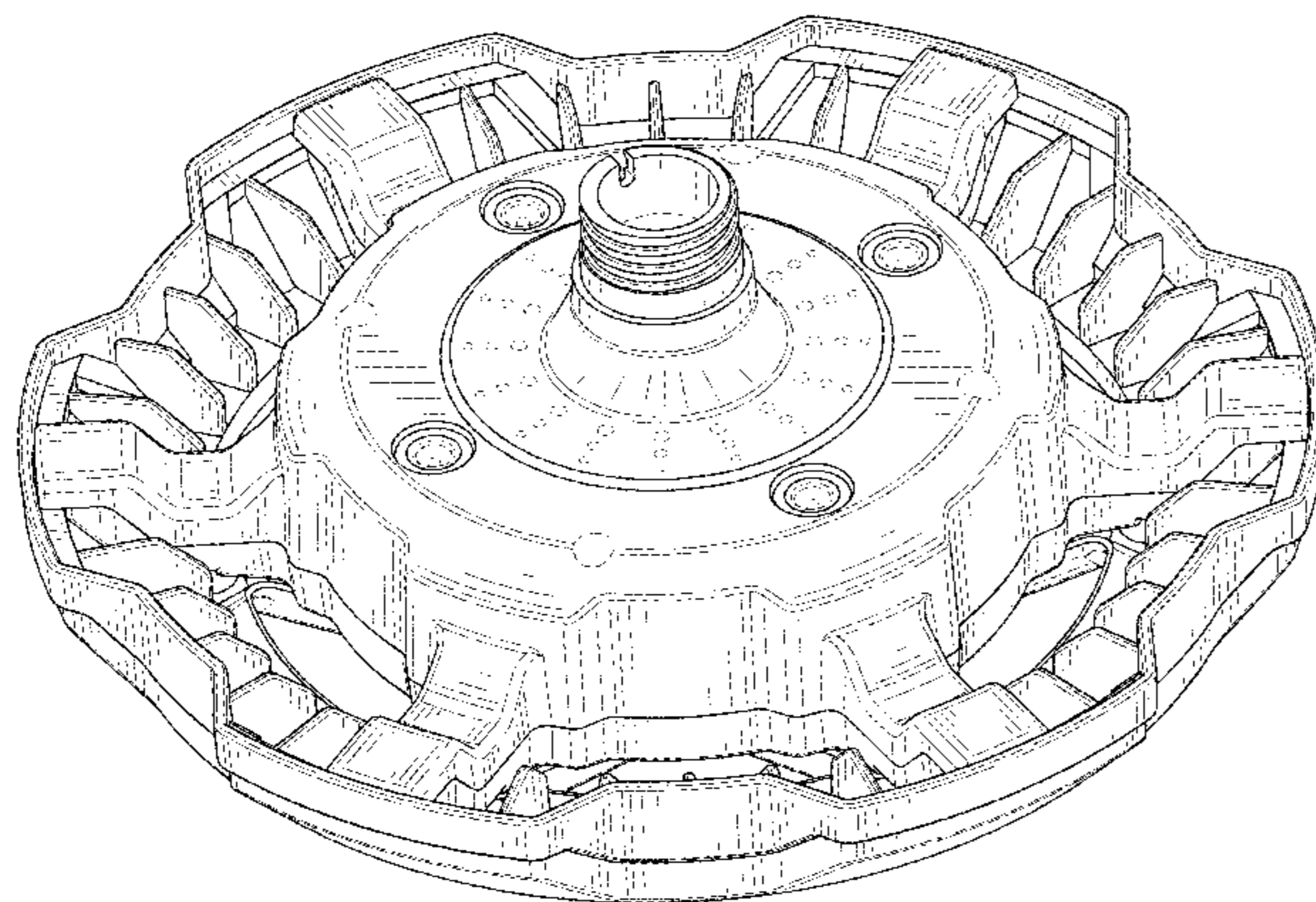
FIG. 6 is a right side elevational view thereof;

FIG. 7 is a top plan view thereof; and,

FIG. 8 is a bottom plan view thereof.

The broken lines in the figures illustrate portions of the garage light that form no part of the claimed design.

1 Claim, 8 Drawing Sheets



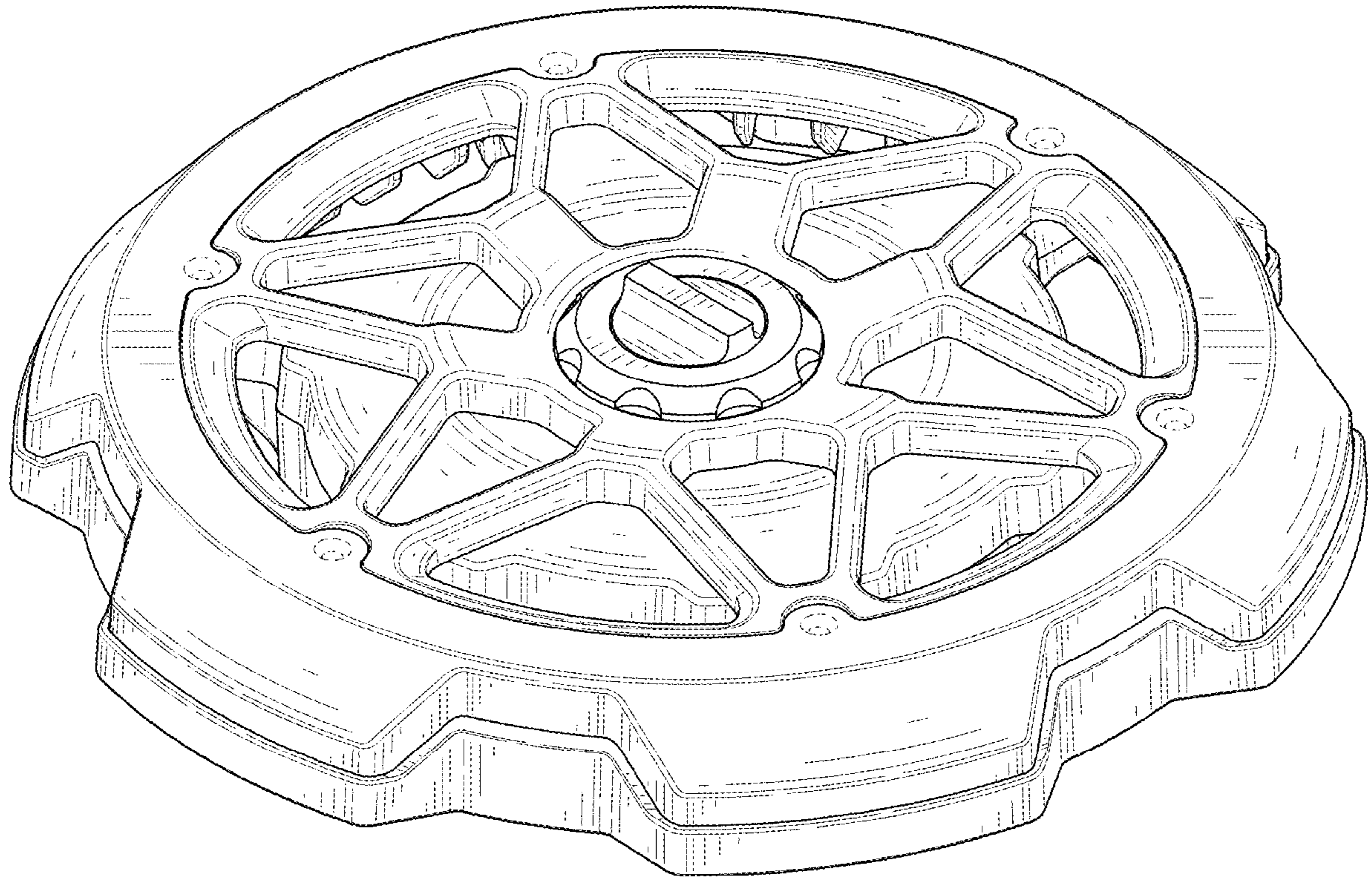


FIG. 1

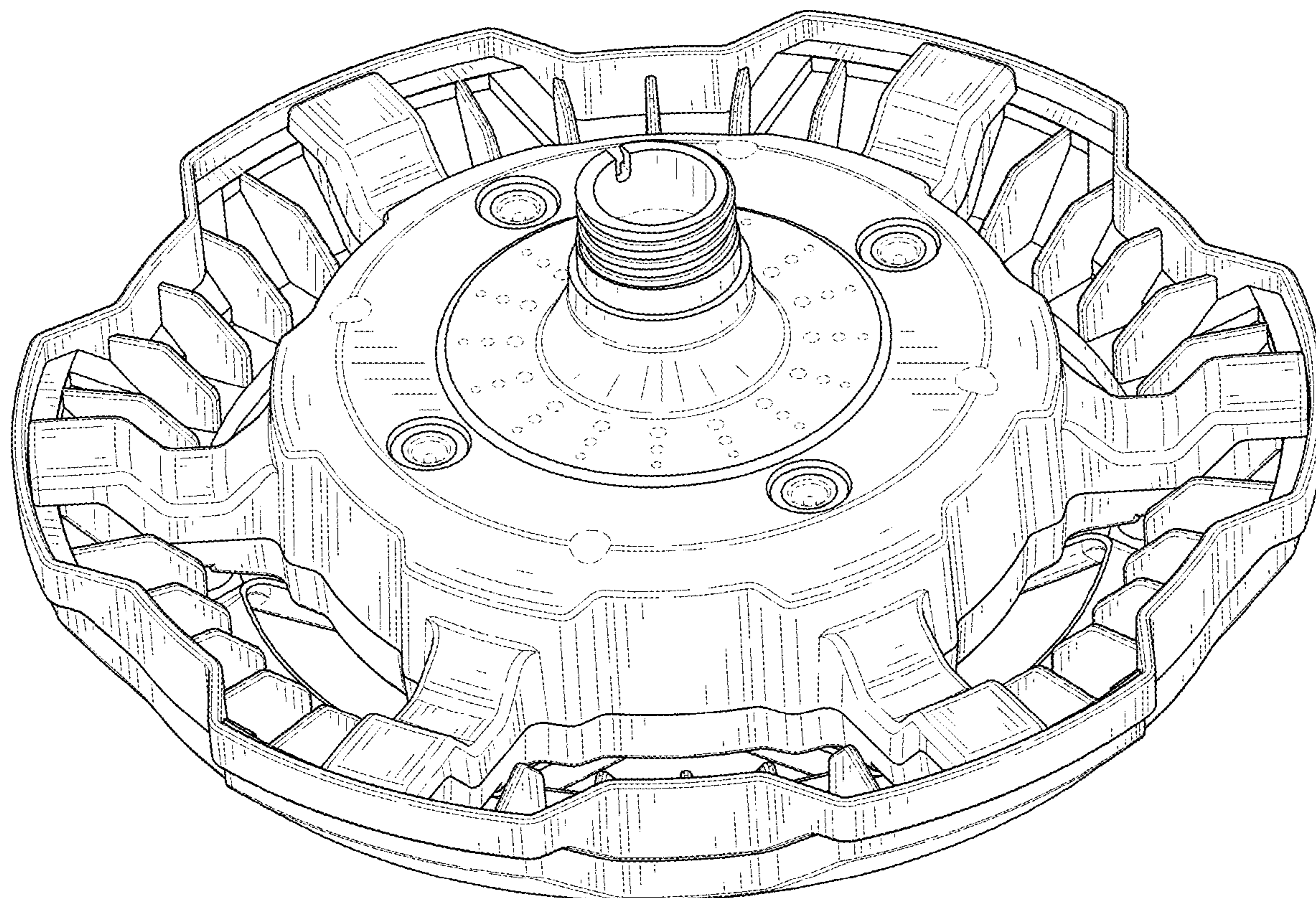


FIG. 2

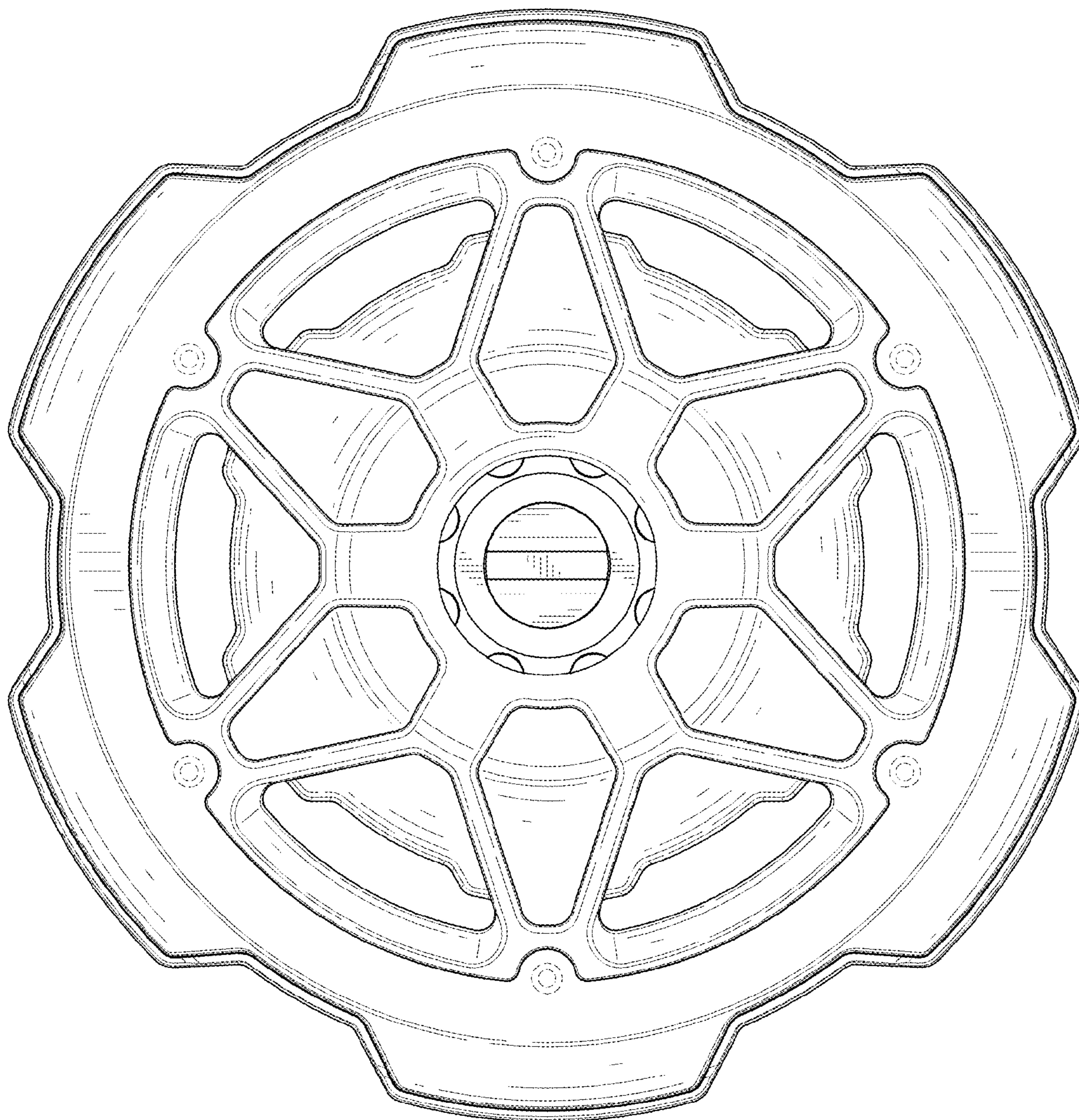


FIG. 3

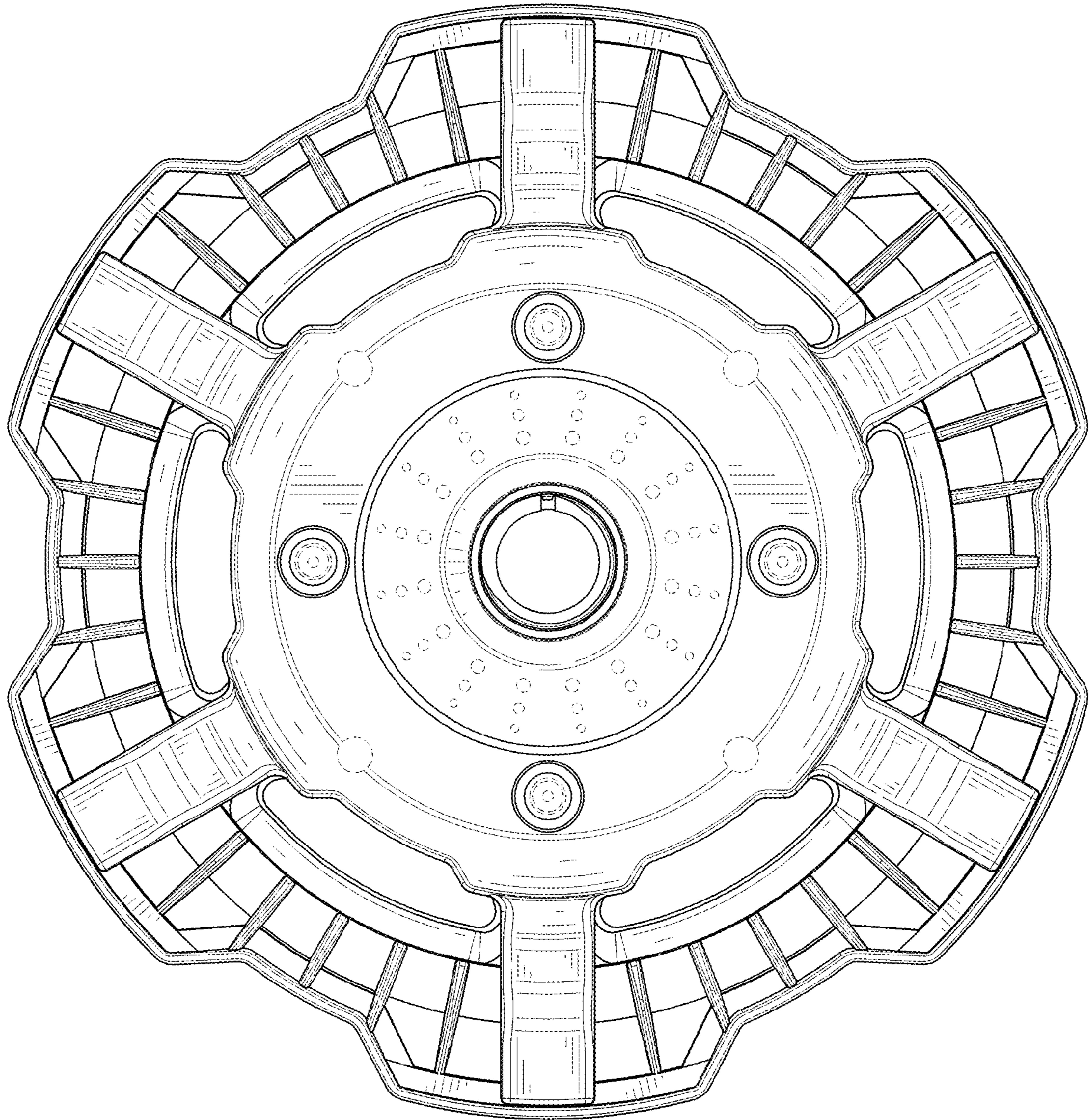


FIG. 4

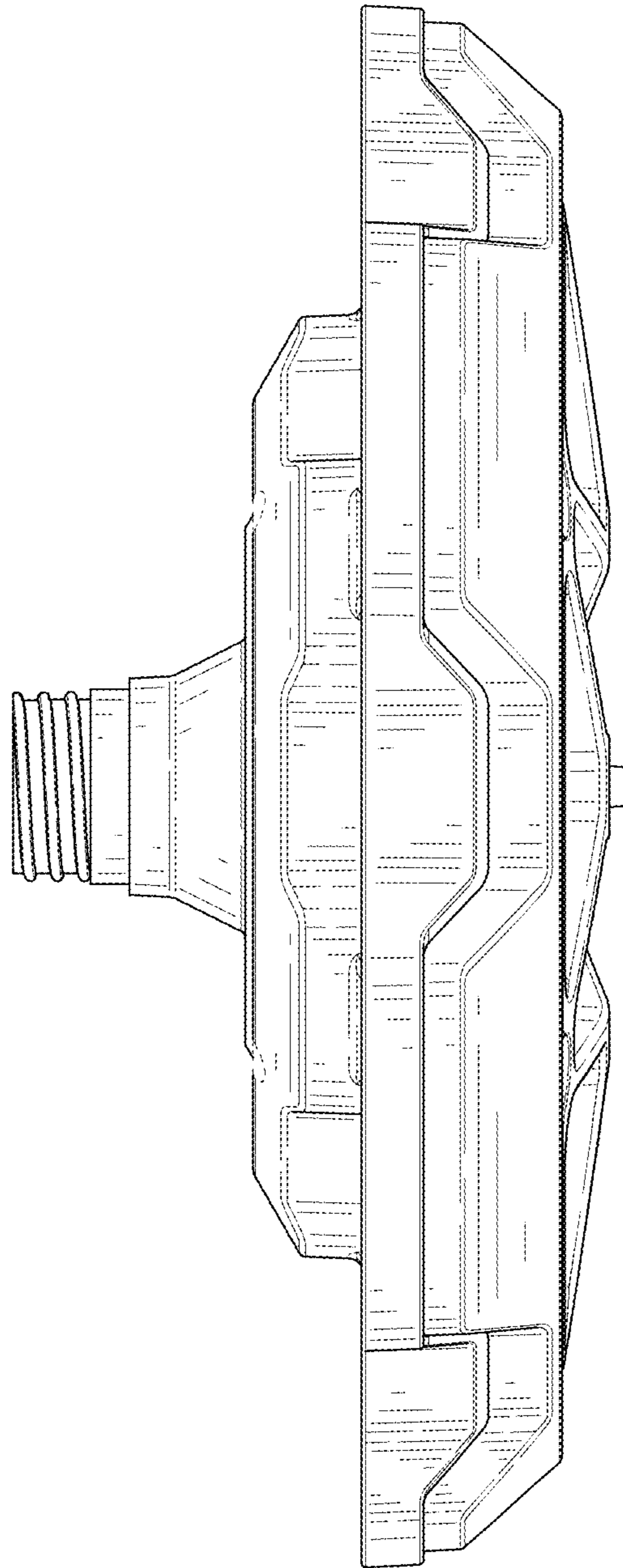


FIG. 5

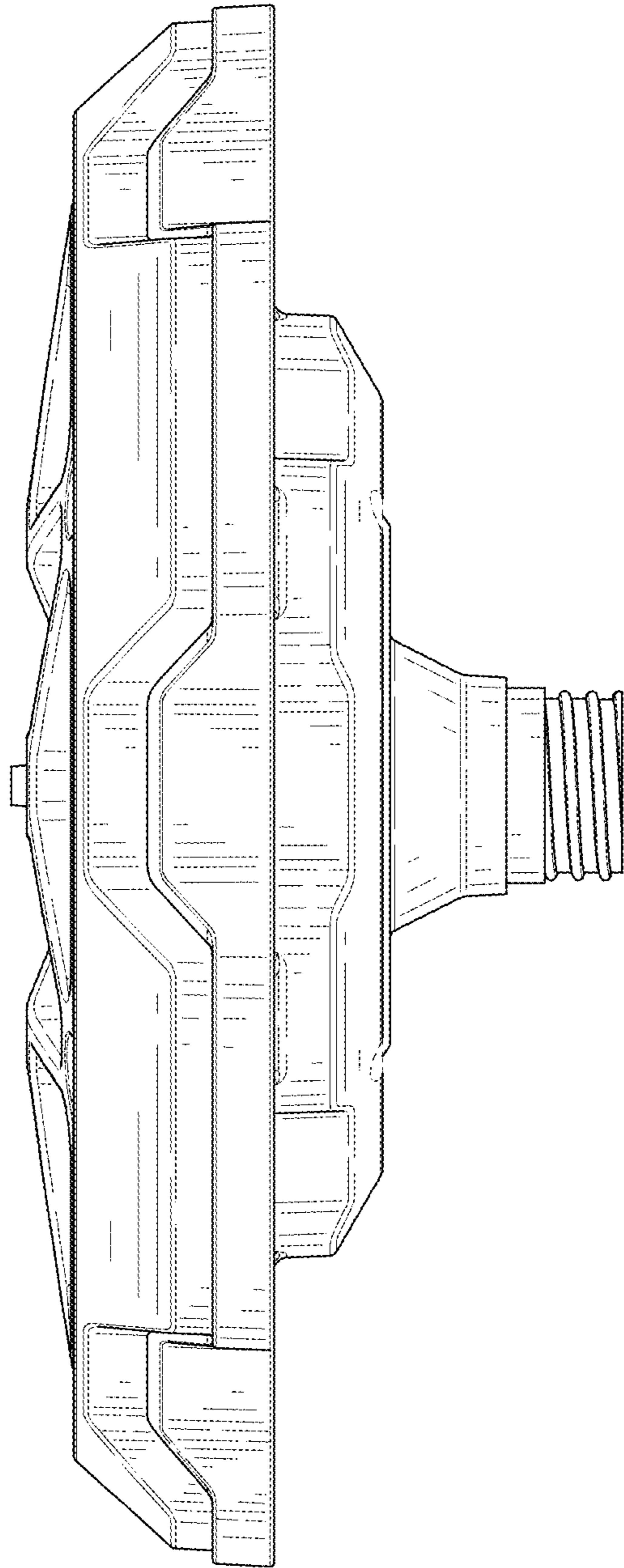


FIG. 6

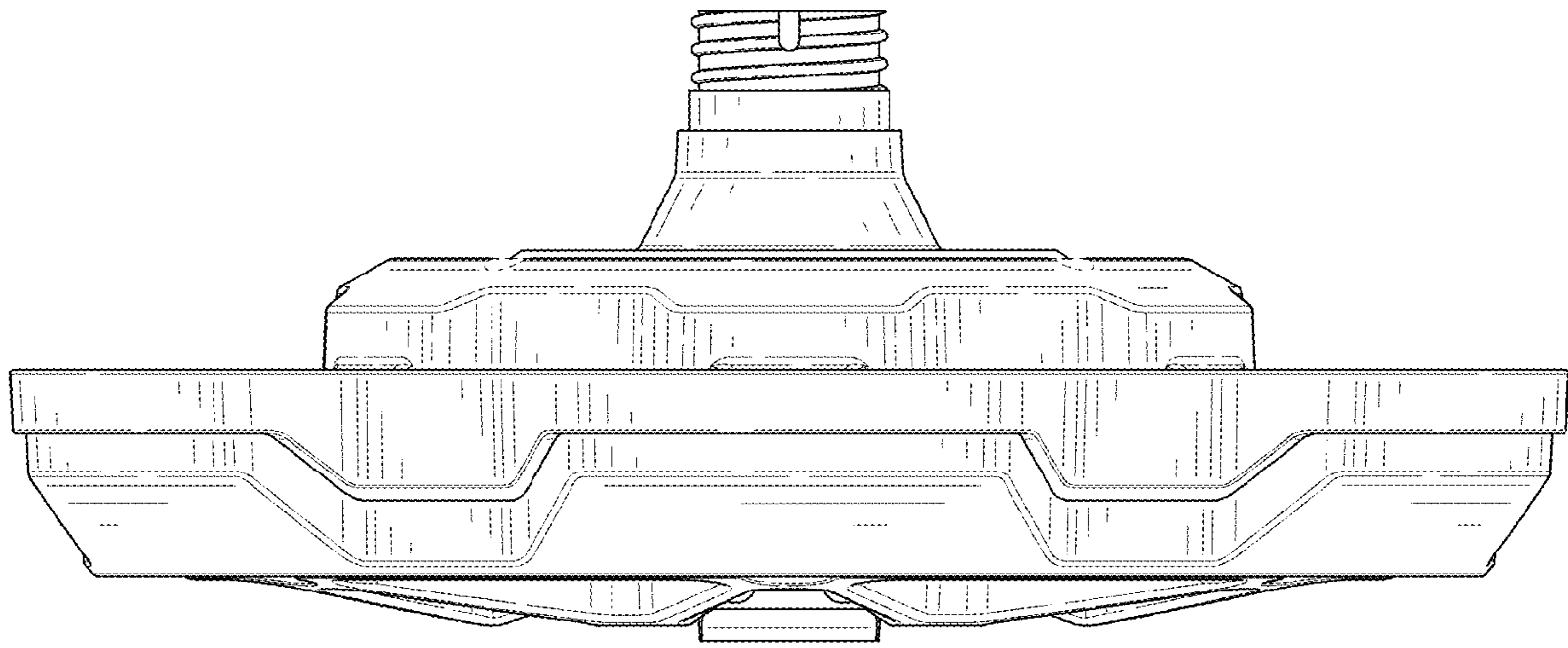


FIG. 7

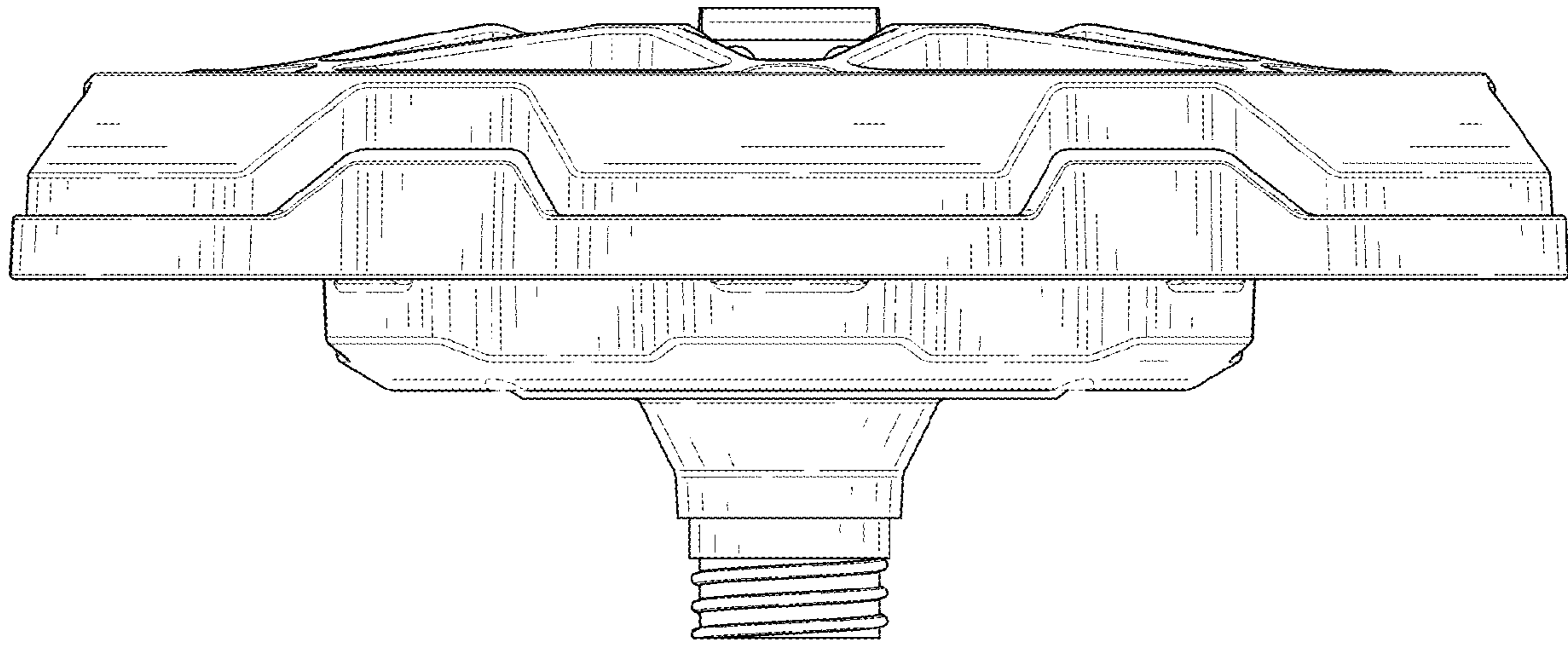


FIG. 8