

US00D890400S

(12) **United States Design Patent**
Chen

(10) **Patent No.:** **US D890,400 S**

(45) **Date of Patent:** **** *Jul. 14, 2020**

(54) **VASE TORCH LIGHT**

D663,458 S * 7/2012 Pelken D26/67
D821,015 S * 6/2018 Peng D26/68
D841,213 S * 2/2019 Zhuo D26/68

(71) Applicant: **Zhujian Chen**, Hu Nan (CN)

* cited by examiner

(72) Inventor: **Zhujian Chen**, Hu Nan (CN)

Primary Examiner — Cathron C Brooks

(*) Notice: This patent is subject to a terminal disclaimer.

(**) Term: **15 Years**

(57) **CLAIM**

(21) Appl. No.: **29/638,584**

The ornamental design for a vase torch light, as shown and described.

(22) Filed: **Feb. 28, 2018**

(51) **LOC (12) Cl.** **26-05**

(52) **U.S. Cl.**
USPC **D26/67**

DESCRIPTION

(58) **Field of Classification Search**
USPC D26/8, 67-70
CPC F21S 8/006; F21S 8/08; F21S 8/081; F21S 8/083; F21S 8/032; F21S 9/03; F21S 9/032; F21S 9/035; F21S 9/037; F21W 2131/109
See application file for complete search history.

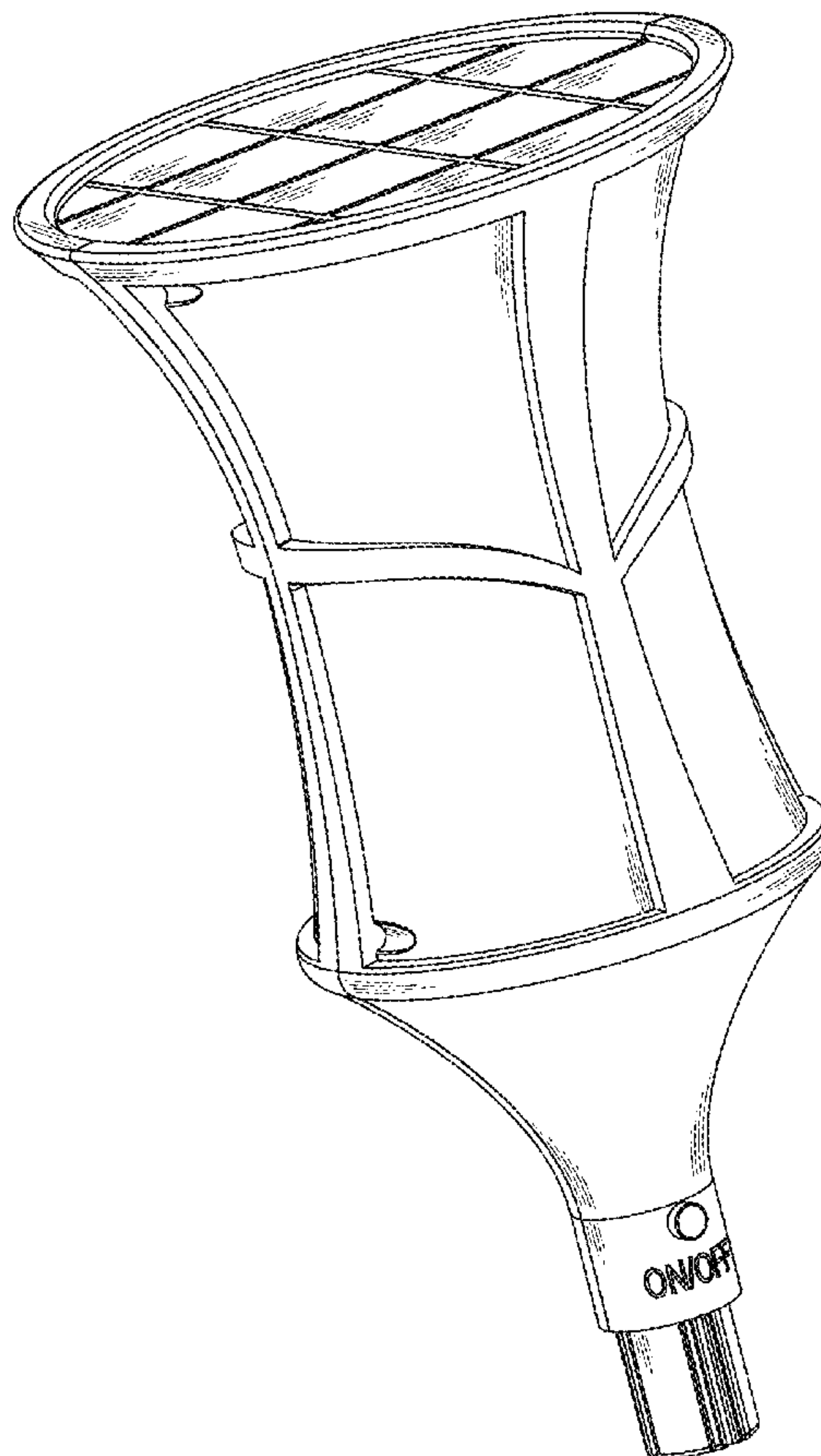
FIG. 1 is a front top perspective view of a vase torch light showing my new design;
FIG. 2 is a rear top perspective view of a vase torch light showing my new design;
FIG. 3 is a front elevational view thereof;
FIG. 4 is a rear elevational view thereof;
FIG. 5 is a left side elevational view thereof;
FIG. 6 is a right side elevational view thereof;
FIG. 7 is a top plan view thereof; and,
FIG. 8 is a bottom plan view thereof.

(56) **References Cited**

U.S. PATENT DOCUMENTS

D443,941 S * 6/2001 Boeckley D26/67
D605,802 S * 12/2009 Chen D26/67

1 Claim, 8 Drawing Sheets



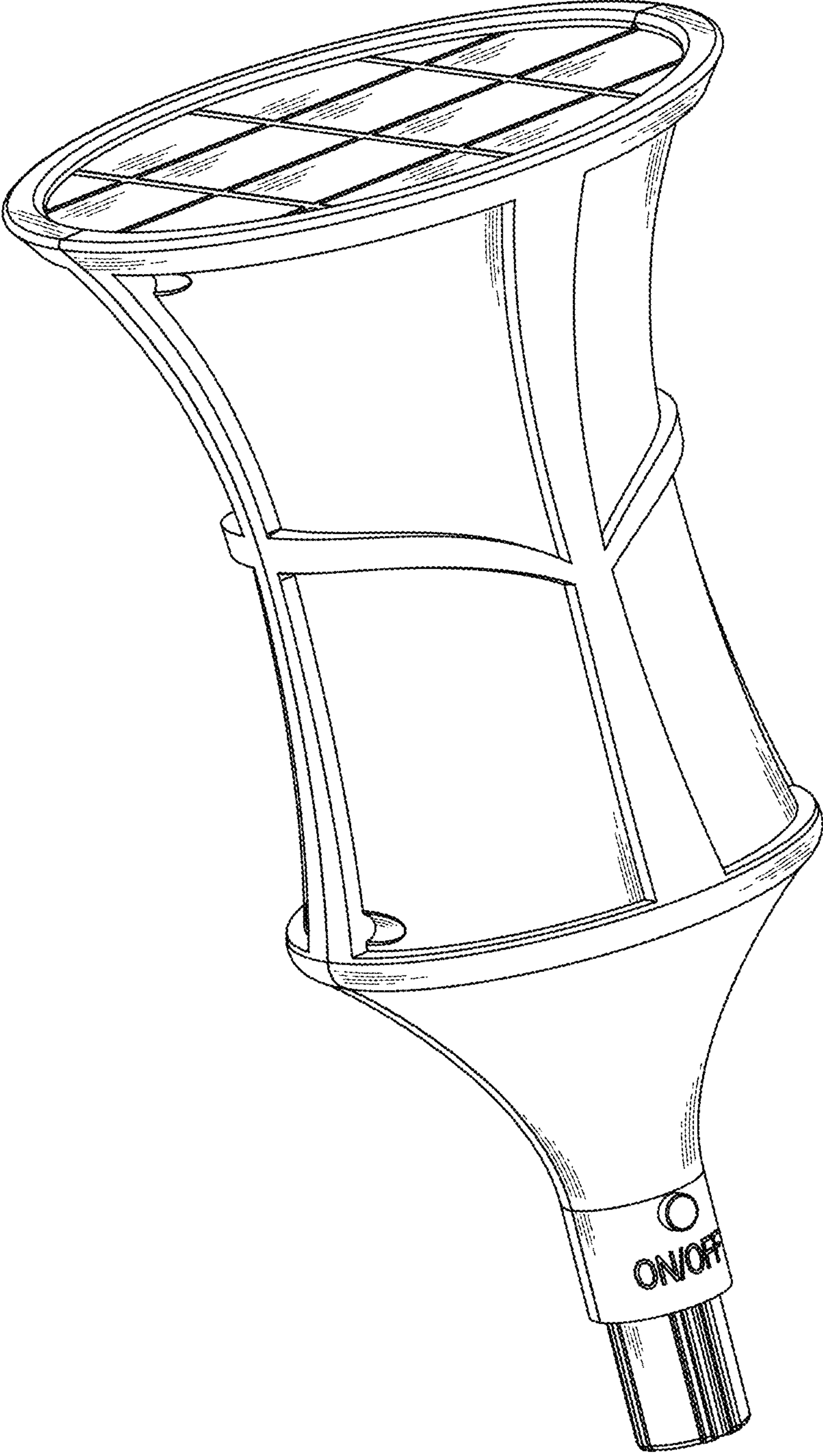


FIG.1

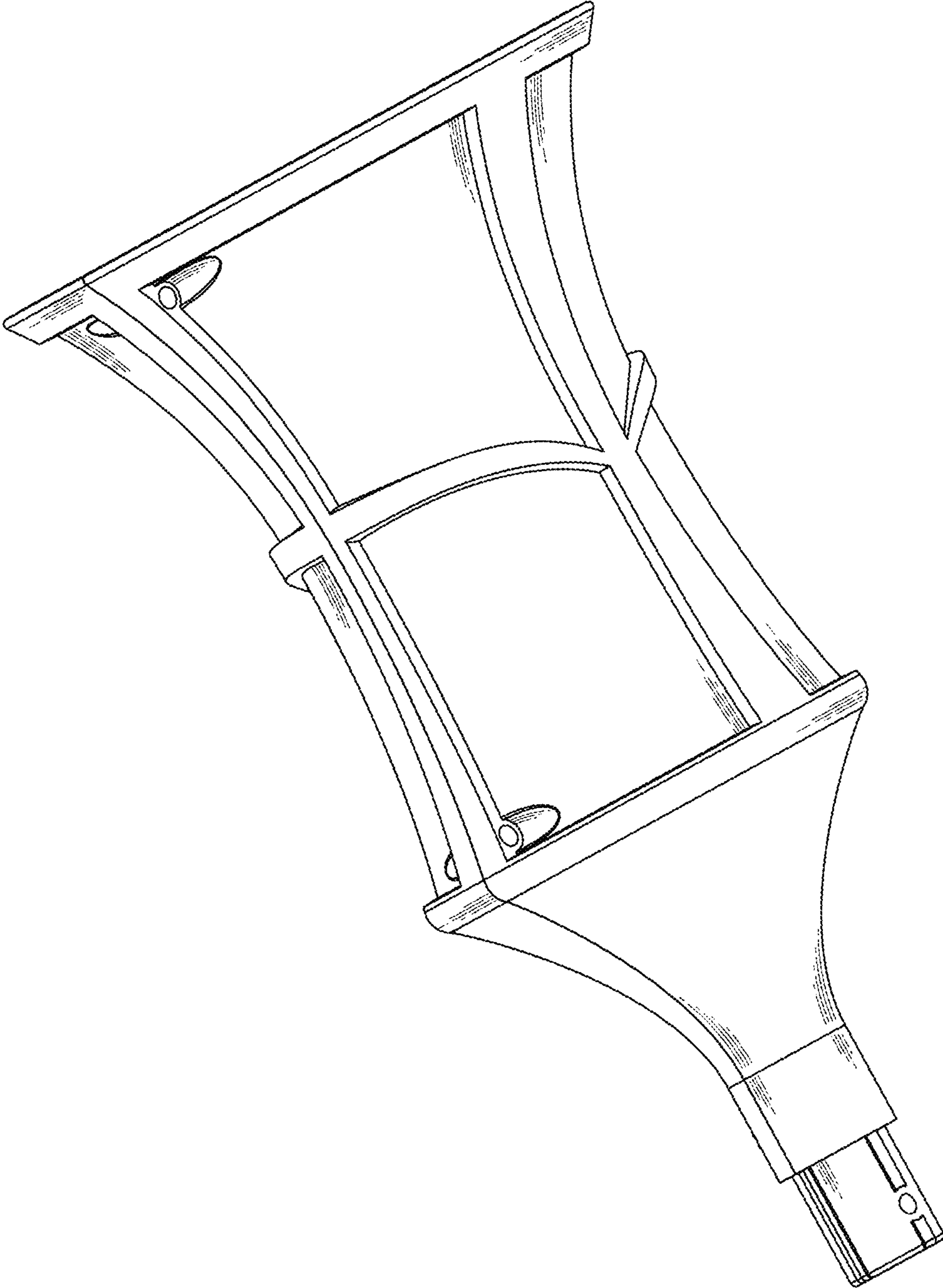


FIG.2

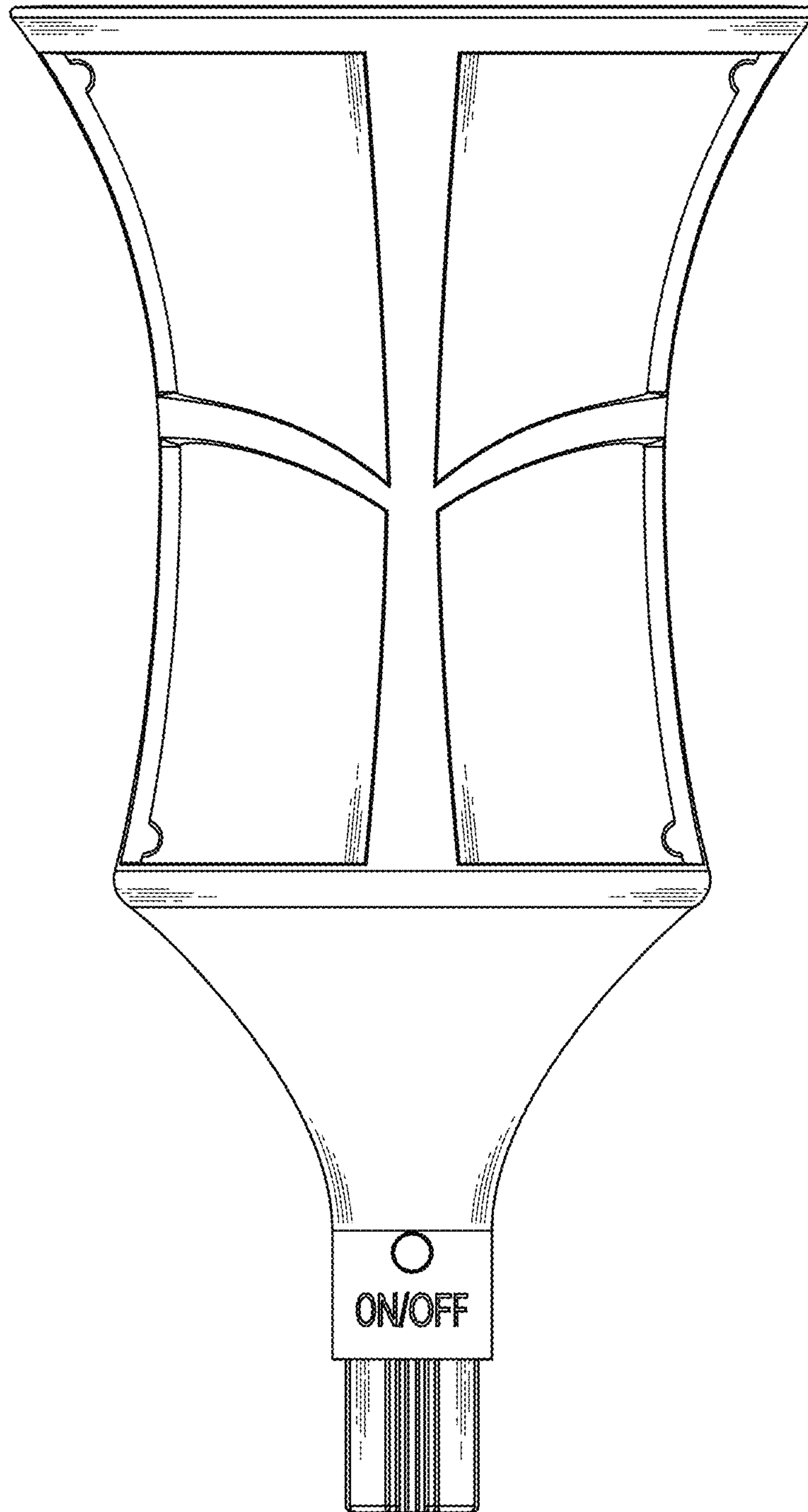


FIG.3

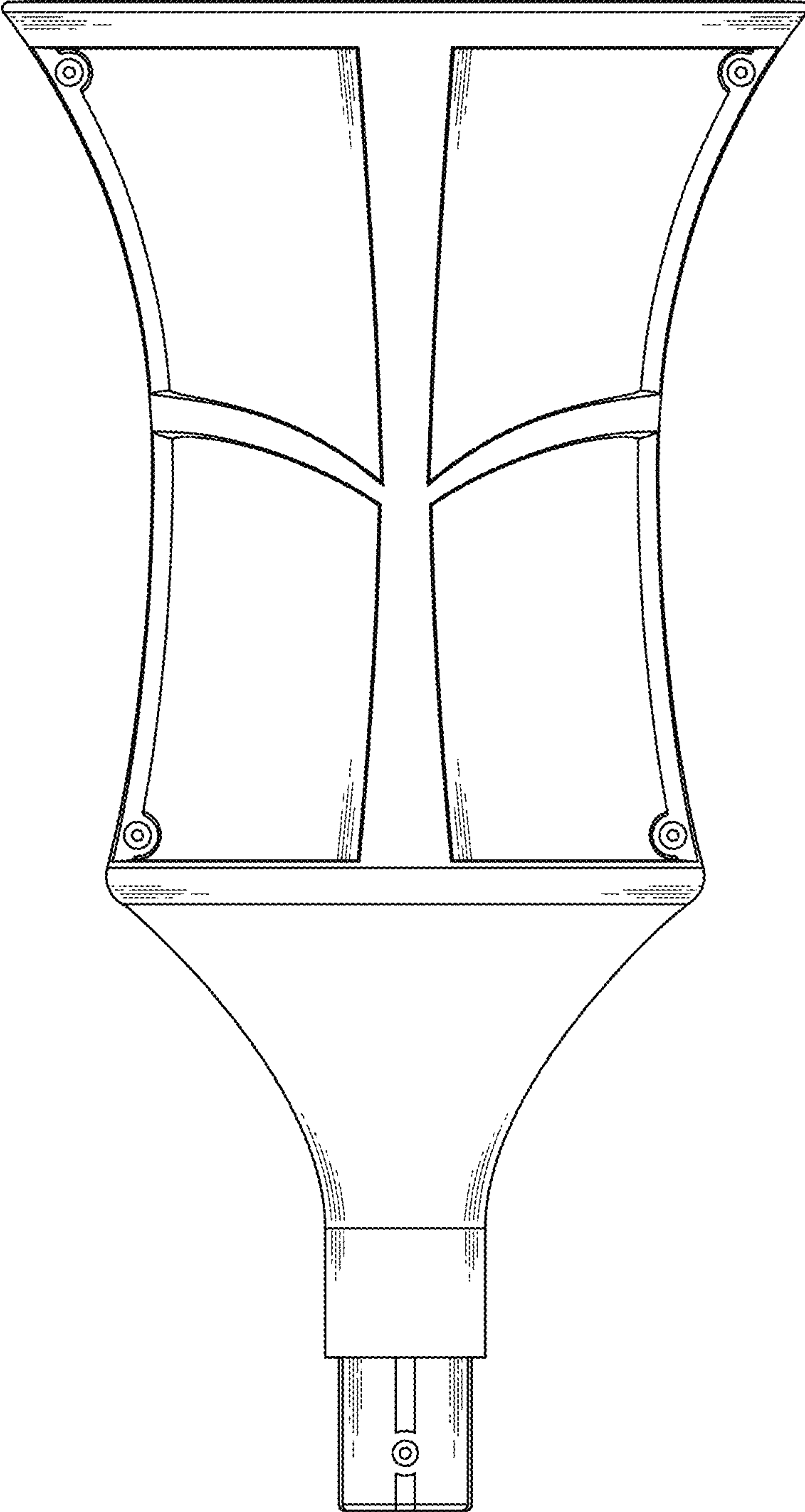


FIG.4

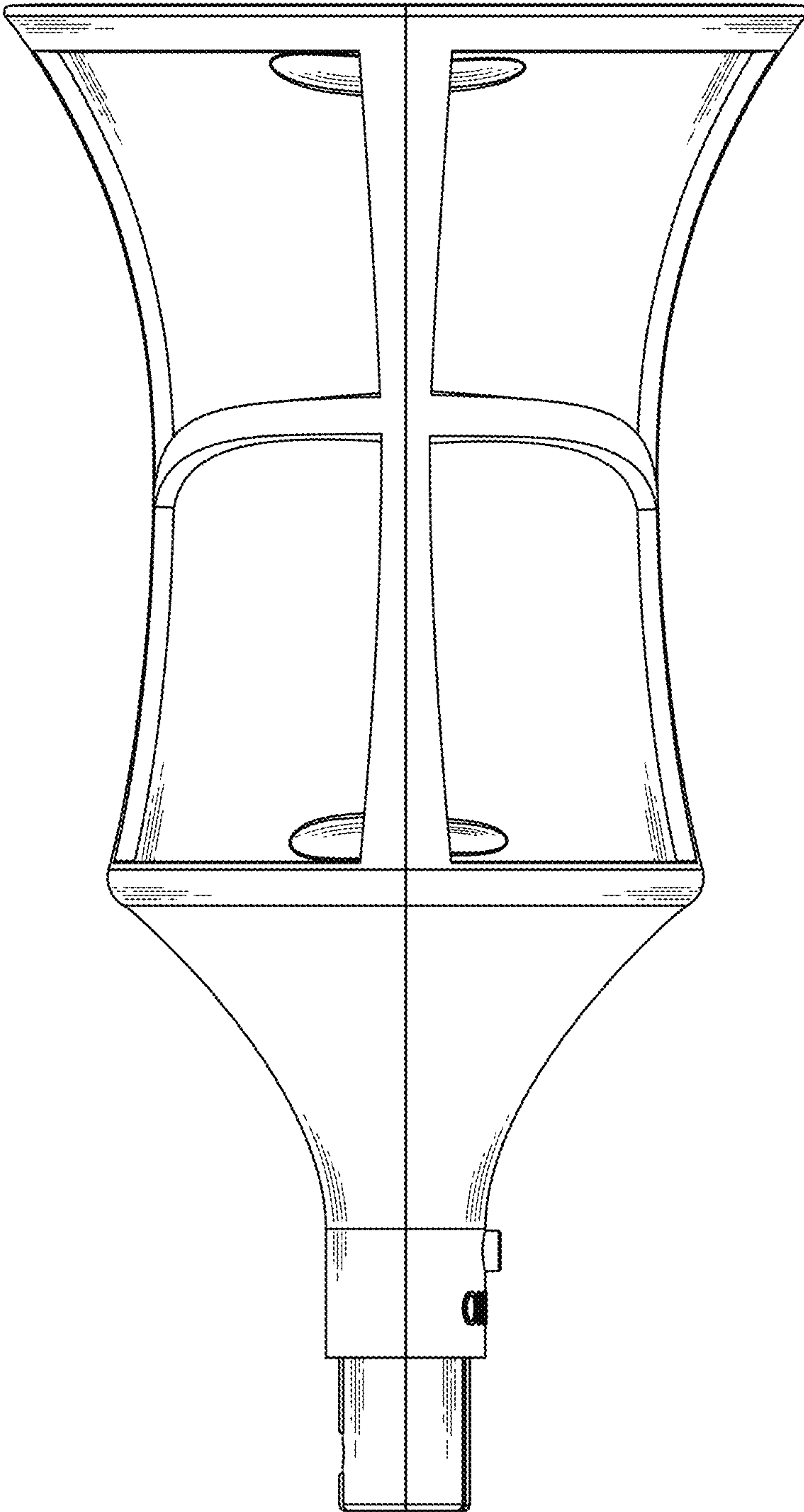


FIG.5

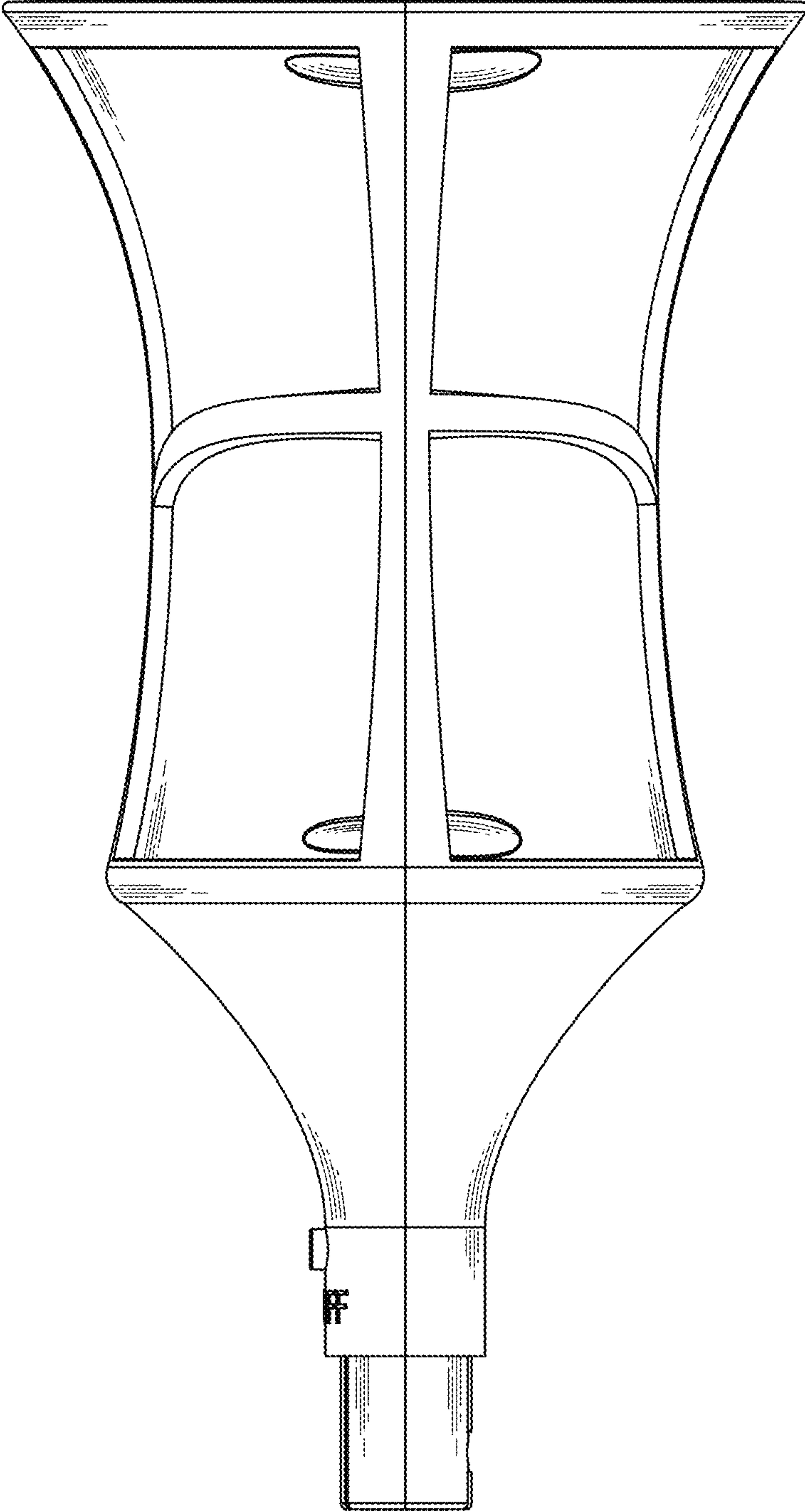


FIG.6

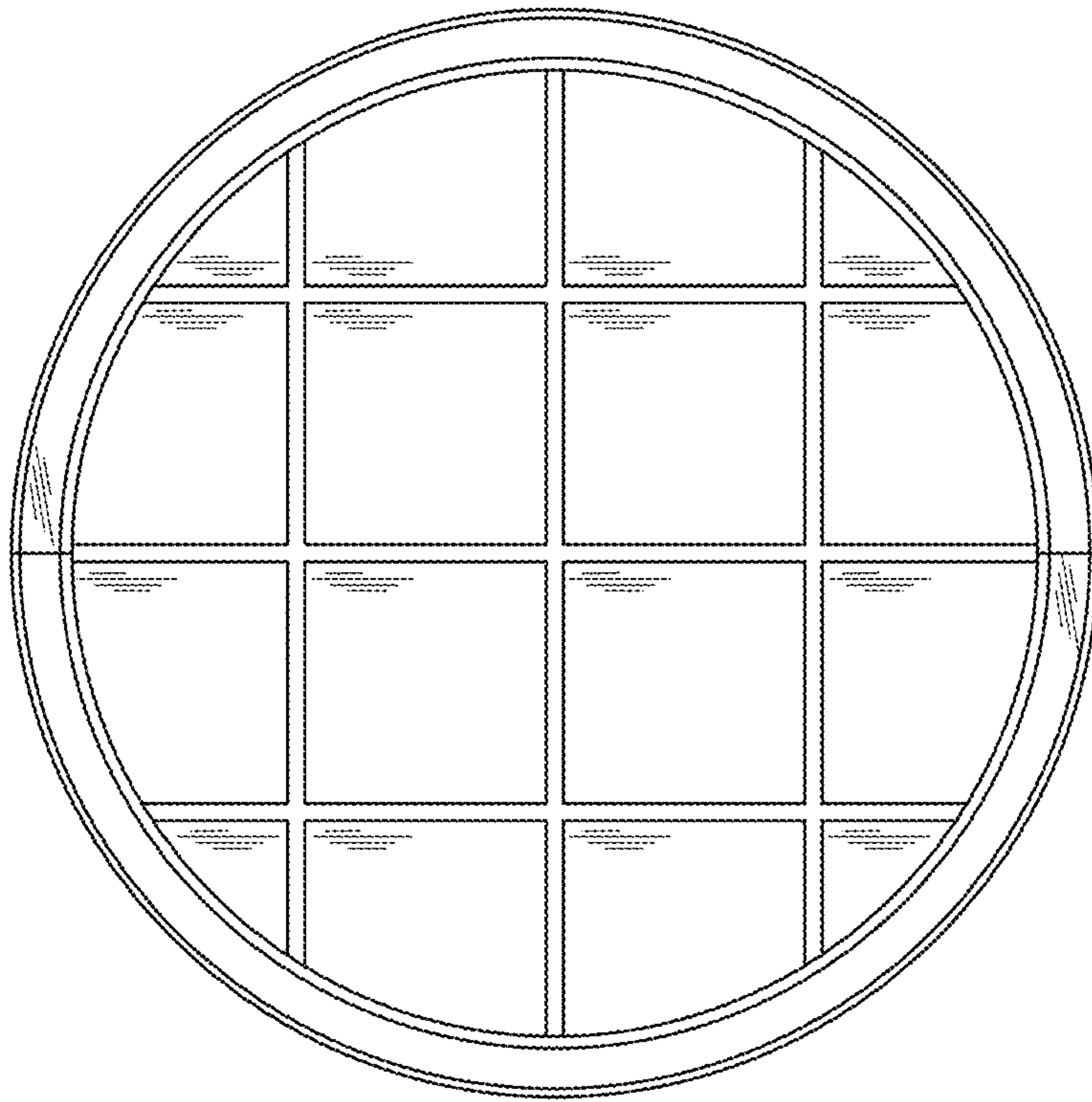


FIG.7

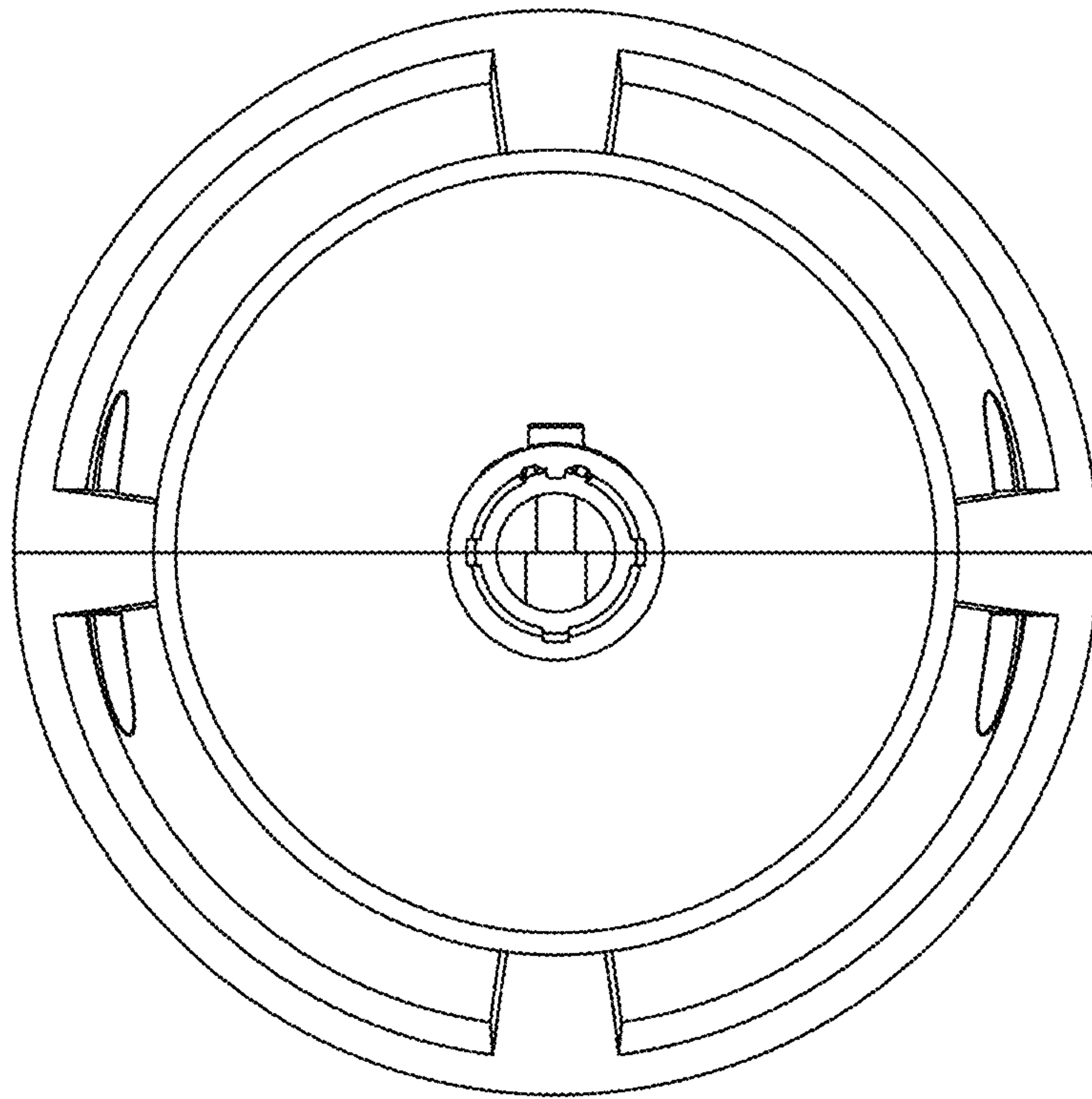


FIG. 8