

US00D890398S

(12) **United States Design Patent**
Holmes

(10) **Patent No.:** **US D890,398 S**

(45) **Date of Patent:** **** Jul. 14, 2020**

- (54) **CEILING FAN LIGHT GLASS**
- (71) Applicant: **HUNTER FAN COMPANY**,
Memphis, TN (US)
- (72) Inventor: **Christine Holmes**, Memphis, TN (US)
- (73) Assignee: **Hunter Fan Company**, Memphis, TN
(US)
- (**) Term: **15 Years**
- (21) Appl. No.: **29/648,835**
- (22) Filed: **May 24, 2018**

- D374,925 S 10/1996 Jasper-Fayer
- D397,416 S 8/1998 Lee
- D399,202 S 10/1998 Kanatani
- (Continued)

OTHER PUBLICATIONS

http://www.cens.com/cens/html/en/product/product_main_77129.html, CENS Aquarius-champagne light series, Air Cool Industrial Co., LTD., Model No. AC413, accessed Mar. 20, 2017.

(Continued)

Primary Examiner — Cathron C Brooks

Assistant Examiner — Sharon S Oum

(74) *Attorney, Agent, or Firm* — McGarry Bair PC

(57) **CLAIM**

The ornamental design for a ceiling fan light glass, as shown and described.

DESCRIPTION

FIG. 1 is a bottom perspective view of a ceiling fan light glass in the environment of a ceiling fan, showing my new design;

FIG. 2 is a top perspective view of the ceiling fan light glass of FIG. 1;

FIG. 3 is a right side view of the ceiling fan light glass of FIG. 1;

FIG. 4 is a rear view of the of the ceiling fan light glass of FIG. 1;

FIG. 5 is a left side view of the ceiling fan light glass of FIG. 1;

FIG. 6 is a front view of the ceiling fan light glass of FIG. 1;

FIG. 7 is a top view of the ceiling fan light glass of FIG. 1; and,

FIG. 8 is a bottom view of the ceiling fan light glass of FIG. 1.

Portions of the ceiling fan light glass and the ceiling fan environment shown in broken lines form no part of the claimed design.

1 Claim, 5 Drawing Sheets

Related U.S. Application Data

(63) Continuation of application No. 29/624,318, filed on Oct. 31, 2017.

(51) **LOC (12) Cl.** **26-05**

(52) **U.S. Cl.**
USPC **D26/59; D26/118**

(58) **Field of Classification Search**

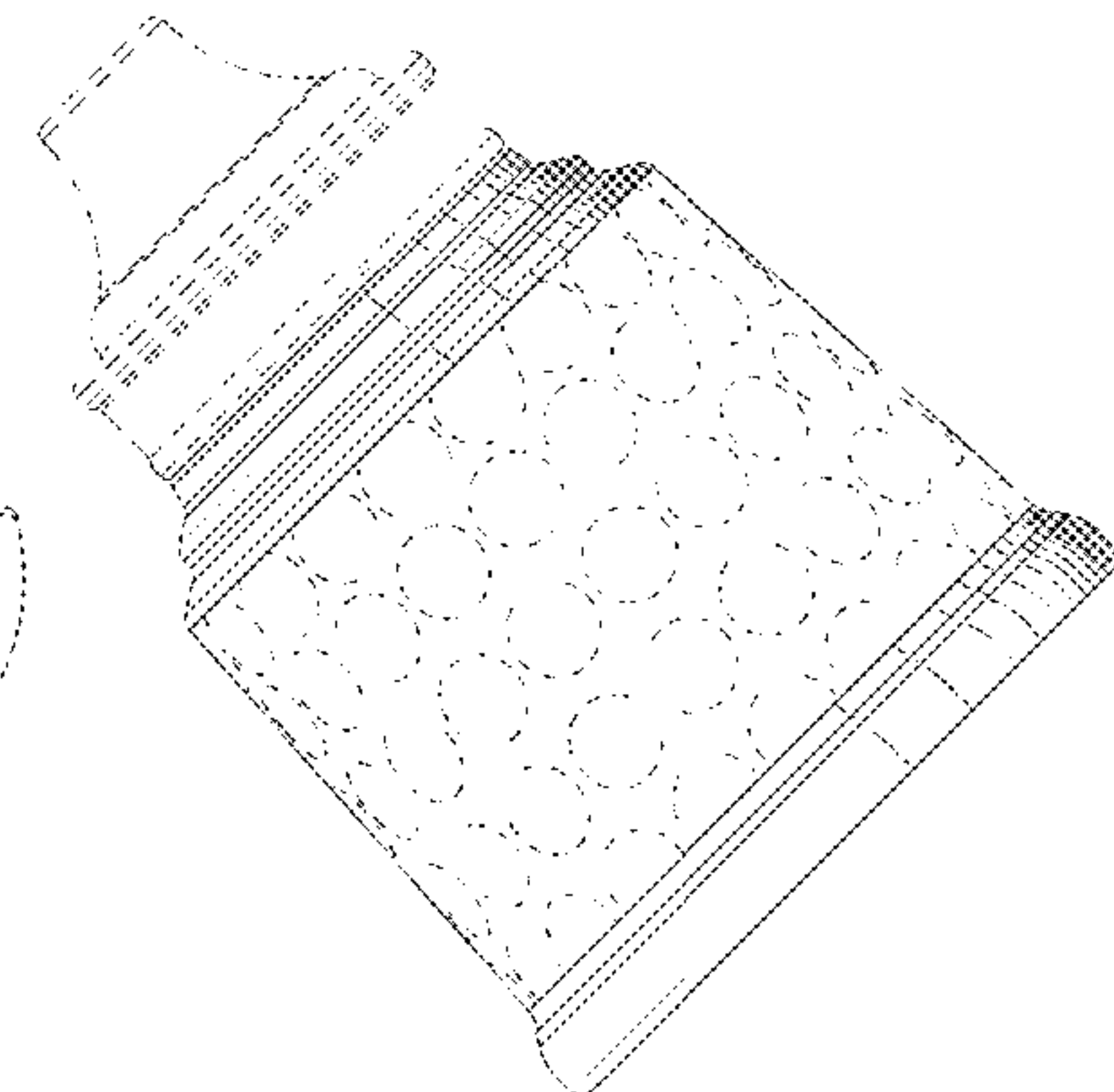
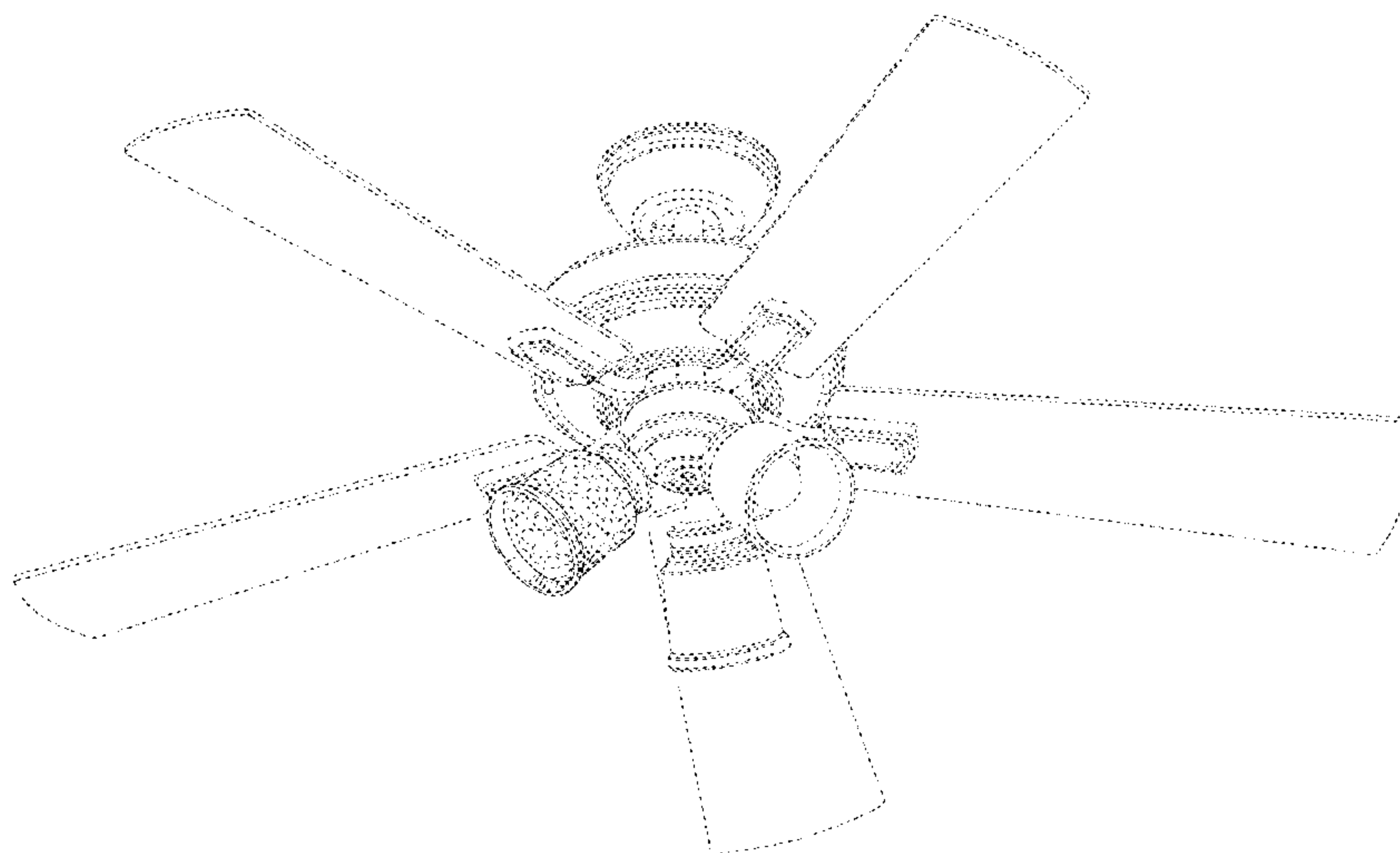
USPC D26/118, 122–124, 128, 130–137, 59,
D26/80–89, 102, 107–108, 110–112;
D23/370–385, 411

CPC F21V 3/061; F21V 3/0615
See application file for complete search history.

(56) **References Cited**

U.S. PATENT DOCUMENTS

- D82,228 S * 10/1930 Stone D26/102
- D98,916 S * 3/1936 Camenisch D26/132
- D278,748 S * 5/1985 Burket D26/132
- D329,494 S 9/1992 Holbrook
- D339,202 S 9/1993 Holbrook
- D355,028 S 1/1995 Tsuji
- D366,341 S * 1/1996 Lin D26/84
- D369,405 S 4/1996 Holbrook
- D370,289 S * 5/1996 Deron D26/134



(56)

References Cited

U.S. PATENT DOCUMENTS

D406,671 S * 3/1999 Tsuji D26/84
 D407,814 S 4/1999 Lin
 D408,517 S 4/1999 LaSpina
 D424,679 S 5/2000 LaSpina
 D425,191 S 5/2000 LaSpina
 D430,951 S * 9/2000 Ku D26/130
 D437,046 S 1/2001 Tsuji
 D440,649 S 4/2001 Tsuji
 D448,107 S * 9/2001 Swanson D26/102
 D448,841 S 10/2001 Campbell
 D483,465 S * 12/2003 Tai D23/377
 D485,344 S * 1/2004 Tai D23/377
 D510,624 S 10/2005 Graham
 D517,202 S 3/2006 Tai
 D524,439 S 7/2006 Tai
 D526,715 S 8/2006 Glasbrenner
 D531,297 S 10/2006 Ertze
 D532,104 S 11/2006 Pickett
 D568,983 S 5/2008 Pan
 D574,945 S 8/2008 Hidalgo
 D575,902 S * 8/2008 Ricereto D26/138
 D584,396 S 1/2009 Bucher et al.
 D599,469 S 9/2009 Yang
 D627,054 S 11/2010 Pan
 D627,870 S 11/2010 Wang
 D657,489 S * 4/2012 Johnstone D26/138
 D702,385 S * 4/2014 Wang D26/59
 D705,922 S 5/2014 Wang
 D707,344 S 6/2014 Wang
 D745,655 S 12/2015 Pickett et al.
 D773,636 S 12/2016 Wang
 D778,421 S 2/2017 Hidalgo
 D778,426 S 2/2017 Hidalgo
 D804,637 S * 12/2017 Holmes D23/377
 D810,921 S * 2/2018 McRoberts D23/377
 2004/0022636 A1 * 2/2004 Bilskie F04D 25/088
 416/244 R

OTHER PUBLICATIONS

<http://www.montecarlofans.com/51311/60-Colony-Super-Max-Brushed-Steel-5CSM60BS.html>, Monte Carlo Colony Super Max Collection, Product No. 5CSM60BS, accessed Mar. 20, 2017.
<https://www.lowes.com/pd/Harbor-Breeze-Bamstaple-Bay-52-in-Brushed-Nickel-Downrod-Mount-Indoor-Residential-Ceiling-Fan-with-Light-Kit/50393286>, Harbor Breeze Bamstaple Bay 52-in Brushed Nickel Downrod Mount Indoor Residential Ceiling Fan with Light Kit, Model No. E-RLG52BNK5C, accessed Mar. 20, 2017.
<http://www.homedepot.com/p/Hampton-Bay-Vaugas-44-in-LED-Indoor-Brushed-Nickel-Ceiling-fan-68144/207046702>, Hampton Bay Vaugas 44in. LED Indoor Brushed Nickel Ceiling Fan, Model No. 68144, accessed Mar. 20, 2017.
<http://www.hunterfan.com/Ceiling-Fans/Meridale?ModelNumber=53306>, Hunter Fan Meridale 52" Ceiling Fan, Model No. 53306 Brushed Nickel Finish, accessed Mar. 20, 2017.
<http://www.hunterfan.com/Ceiling-Fans/Oakhurst?ModelNumber=52016>, Hunter Fan Oakhurst—52" Ceiling Fan, Model No. 52016 New Bronze Finish, accessed Mar. 20, 2017.

<http://www.kingoffans.com/#/products/ceilingFans>, King of Fans Huntington III, Model No. 46007, accessed Mar. 20, 2017.
<http://www.kingoffans.com/#/products/ceilingFans>, King of Fans Accubreeze, Model No. 72196, accessed Mar. 20, 2017.
<http://www.craftmade.com/pro-energy-star-209-ces209abz>, Craftmade Pro Energy Star 209, 52 in. Pro Energy Star 209 Ceiling Fan, Model No. CES209ABZ, accessed Mar. 20, 2017.
<http://ceilingfans.emerson.com/en/shop/fan/fans-s-emerson-fans/fans-s-indoor-outdoor/summer-night-fan-p-cf652>, Emerson Summer Night 52" Ceiling Fan, SKU No. CF652ORD, accessed Oct. 31, 2017.
<http://www.fanimation.com/products/index.php/fans/aire-decor-bp230.html>, Fanimation Aire Decor, Model No. BP230, accessed Oct. 31, 2017.
<http://www.hunterfan.com/Ceiling-Fans/Sea-Wind?ModelNumber=53351>, Hunter Fan Sea Wind Collection, 48" Ceiling Fan, Model No. 53351, accessed Oct. 31, 2017.
<http://www.minkagroup.net/all-collections?keys=F588-SP>, MinkaAire 54" 5 Blades in Oil Rubbed Bronze Finish, Model No. F588-SP-ORB, accessed Oct. 31, 2017.
<http://www.minkagroup.net/products/f648-orbex>, MinkaAire 52" 5 Blades in Oil Rubbed Bronze finish w/Medium Maple Blades/Tea Stained Glass, Model No. F647-ORB/TS, accessed Oct. 31, 2017.
<http://www.kingoffans.com/#/products/ceilingFans>, Item Specification for King of Fans Woodland, Model No. 30475, accessed Jan. 24, 2018.
<https://www.menards.com/main/lighting-ceiling-fans/ceiling-fans/shop-all-ceiling-fans/turn-of-the-century-reg-eros-42-white-transitional-ceiling-fan/p-1444438436281-c-7488.htm?tid=-6954497153777887856>, Turn of the Century Eros, 42" White Ceiling Fan, Model No. fn42401w, accessed Jan. 24, 2018.
<http://www.fanimation.com/products/index.php/fans/aire-deluxe-44-with-light-kit.html>, Fanimation Aire Deluxe with Light Kit, Model No. FP6245B, accessed Jan. 24, 2018.
<http://www.craftmade.com/Craftmade-PUH52OB-Oiled-Bronze-Flush-Mount-Ceiling-Fan.HTM>, Craftmade Pro Universal Hugger, 52" Ceiling Fan, Model No. PUH520OB, accessed Aug. 2, 2017.
<http://www.kichler.com/products/product/52-inch-carlson-fan-ap-300138ap.aspx>, Kichler Carlson 52 Inch Carlson Fan AP, Model No. 300138AP, accessed Jan. 24, 2018.
<http://www.hunterfan.com/Ceiling-Fans/Estate-Winds?ModelNumber=54165>, Hunter Fan Estate Winds Low Profile with LED Light 56" Ceiling Fan, Item No. 54164, accessed Jan. 24, 2018.
<http://www.minkagroup.net/products/f556-bn>, Minka Group Contactor Plus, 52" Ceiling Fan in Brushed Nickel with Silver Bands, Model No. F556-BN, accessed Jan. 24, 2018.
<http://www.lightingandlocks.com/g6tst.html>, Item Specification for Fanimation, Myfanimation 2-1/4" Glass Piece Tea Stain, Item No. G6TST, accessed Jan. 24, 2018.
<http://www.homedepot.com/p/Hampton-Bay-Lonestar-II-52-in-Natural-Iron-Ceiling-Fan-AL875-BK/203245573>, Hampton Bay Lonestar II, 52 in. Indoor Natural Iron Ceiling Fan with Light Kit, Model No. AL875-BK, accessed Jan. 24, 2018.
<http://www.craftmade.com/builder-deluxe-bld52-c3>, Craftmade Builder Deluxe Ceiling Fan with Blades included. Model No. BLD52-C3, accessed Jan. 24, 2018.
<http://www.minkagroup.net/products/2632>, Minka 2 1/4" Glass shade, Model No. 2632, accessed Jan. 24, 2018.

* cited by examiner

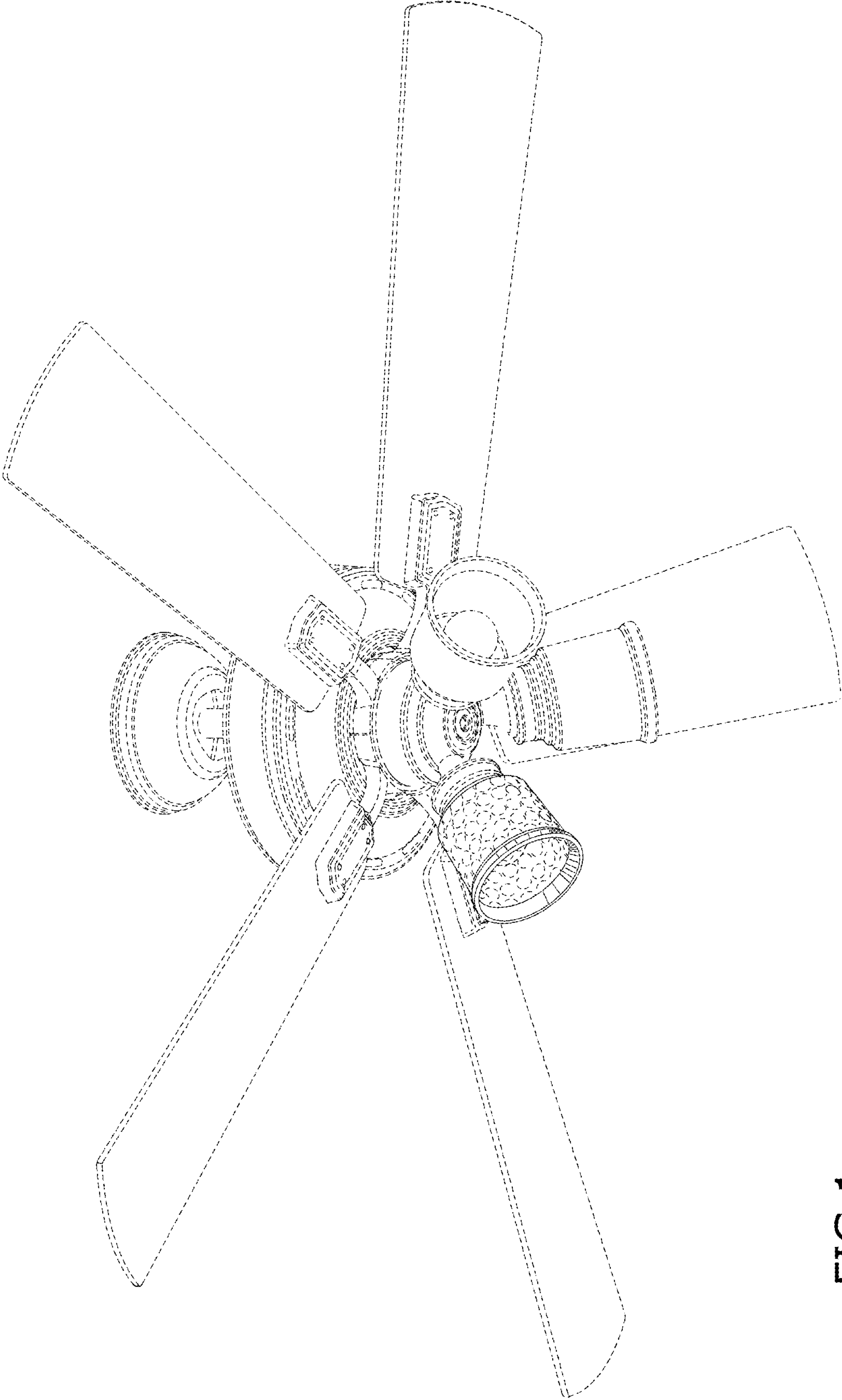


FIG. 1

FIG.2

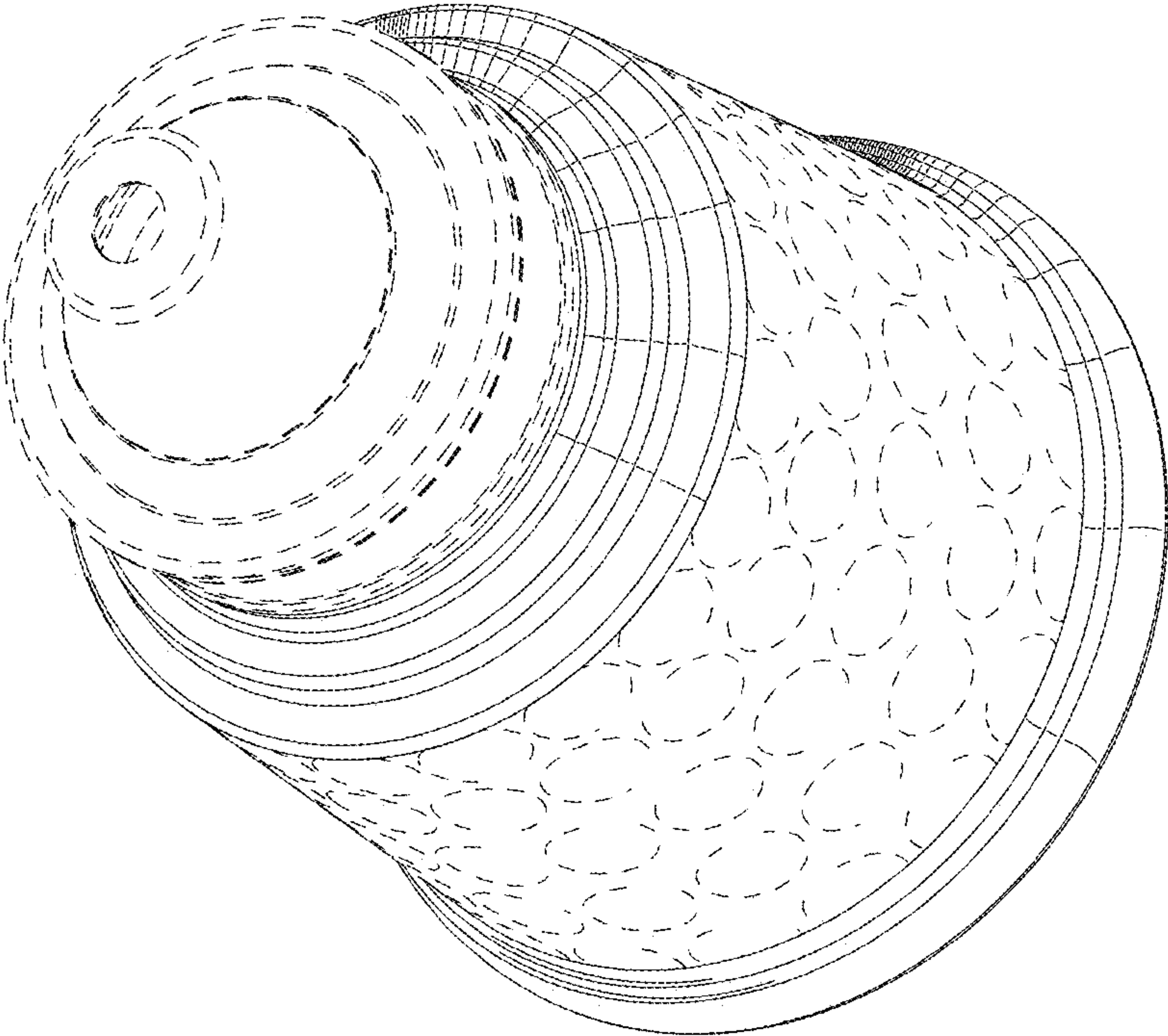
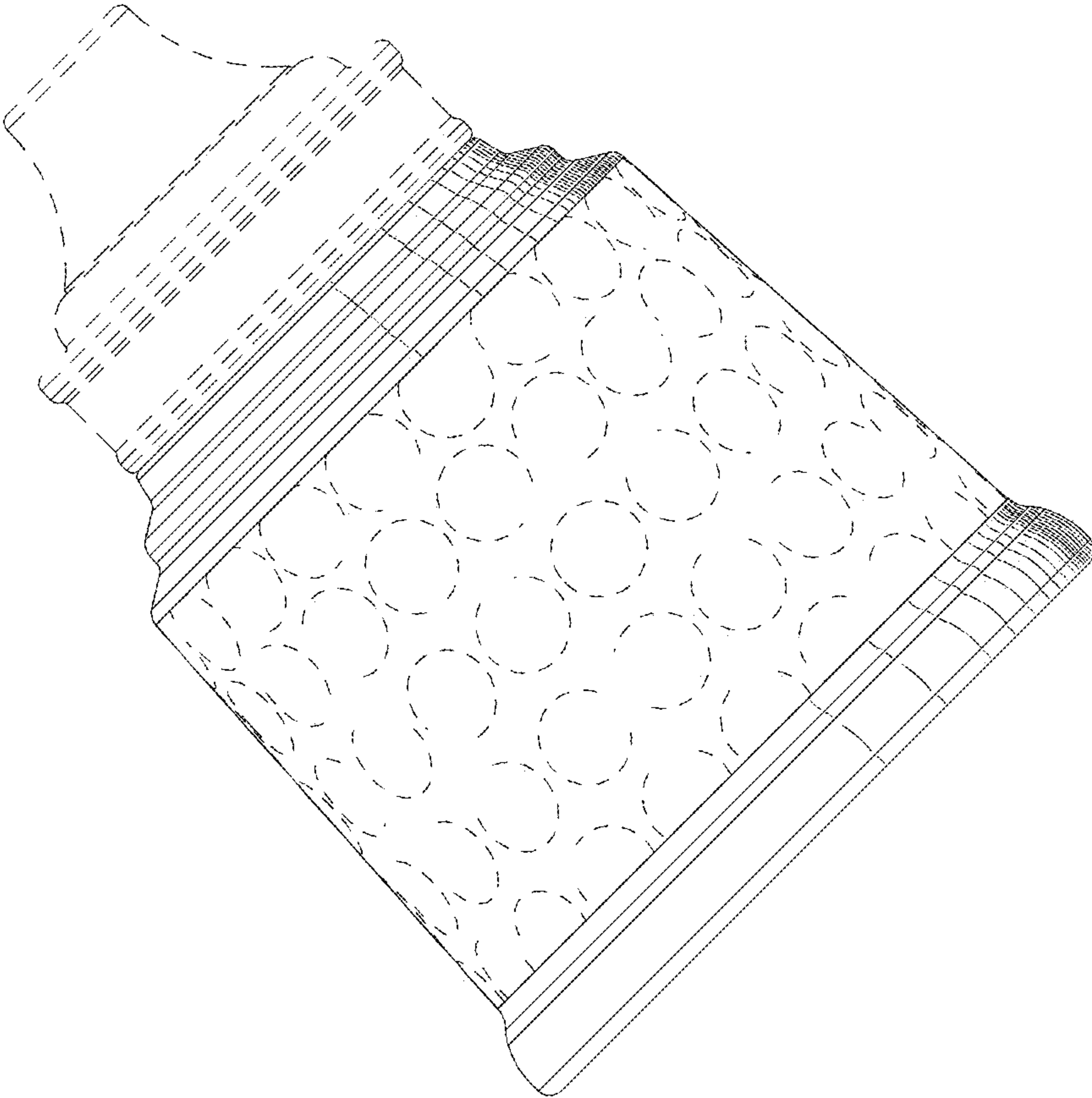


FIG.3



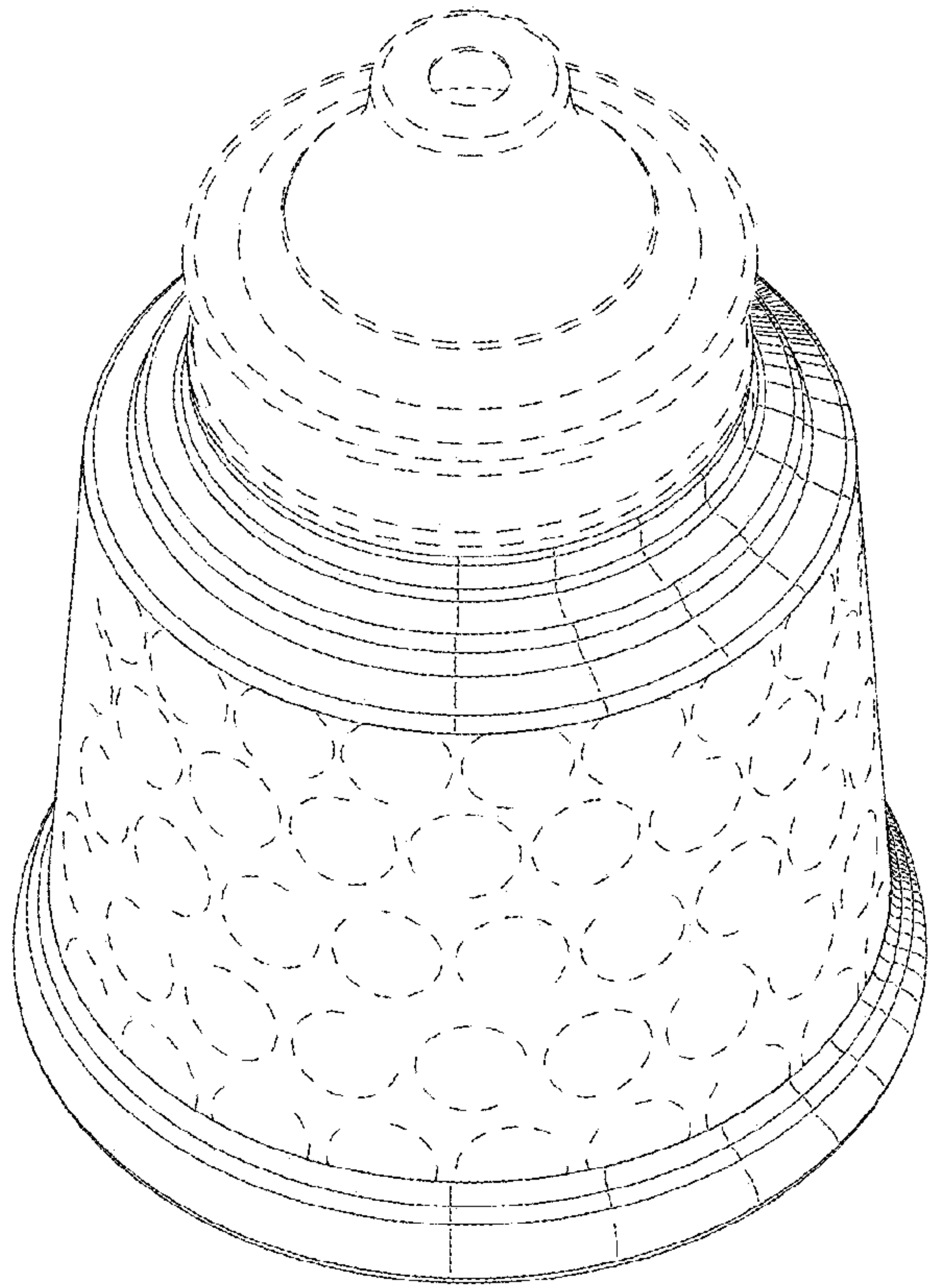
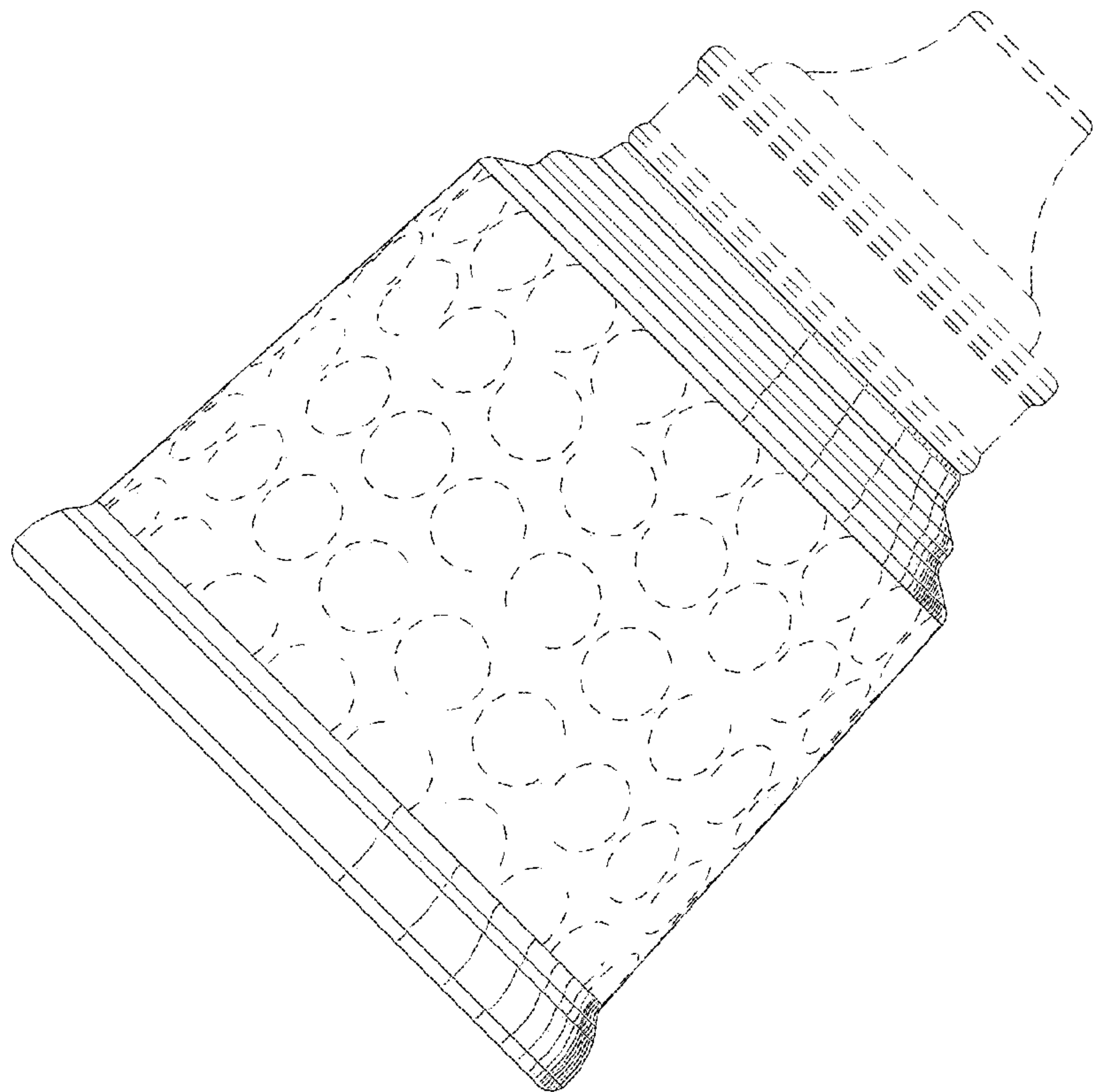


FIG. 4

FIG. 5



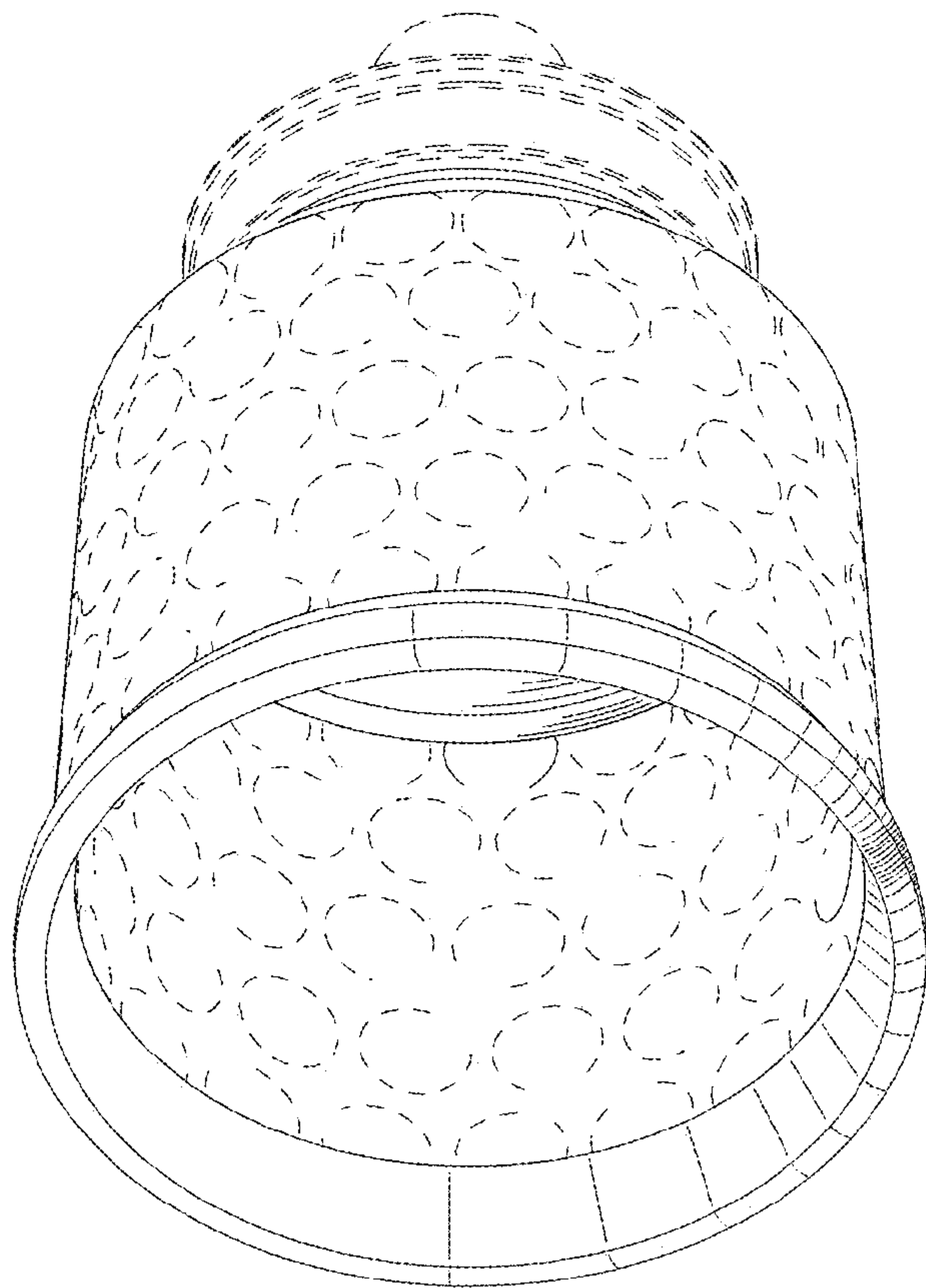


FIG. 6

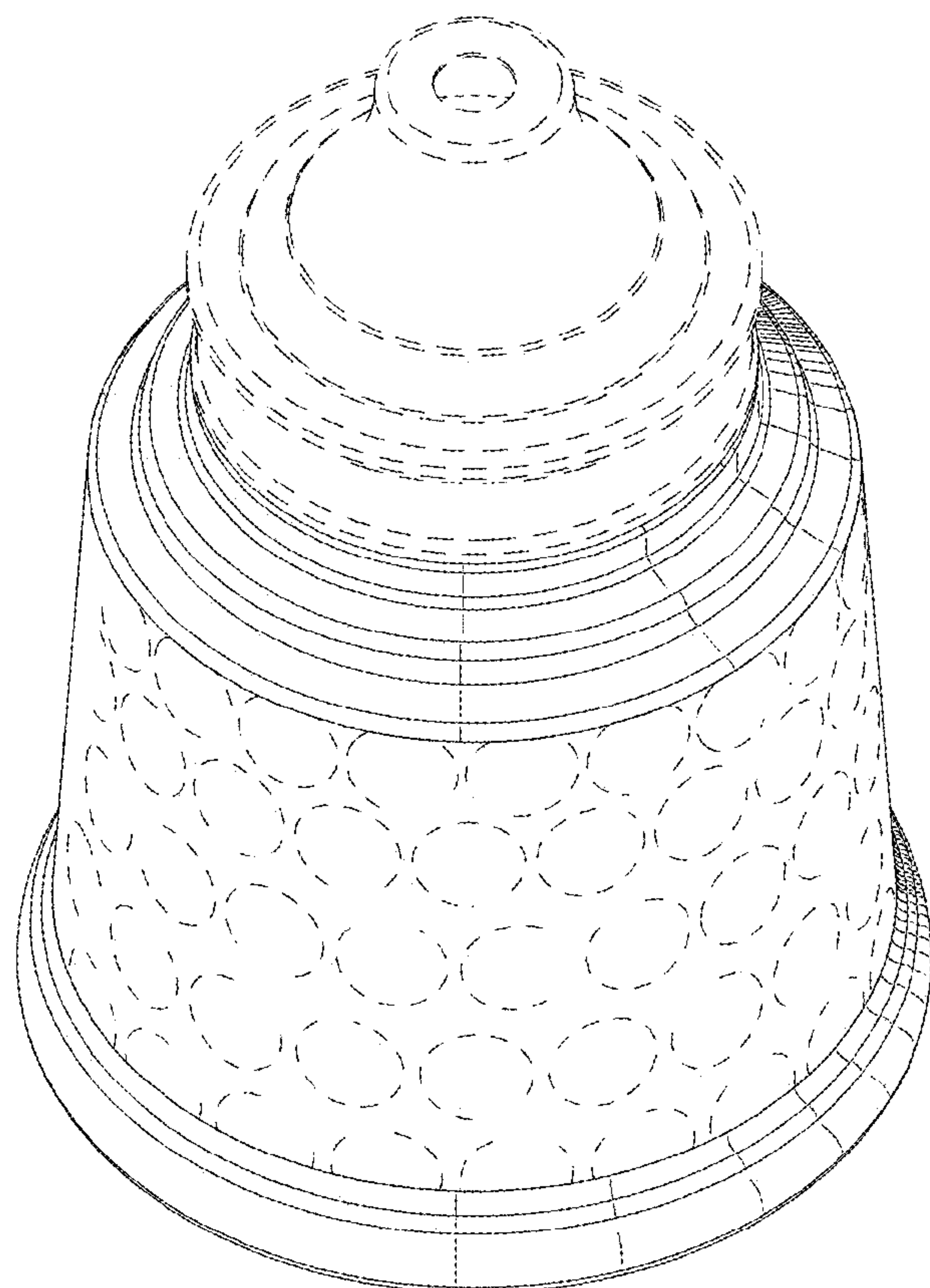


FIG. 7

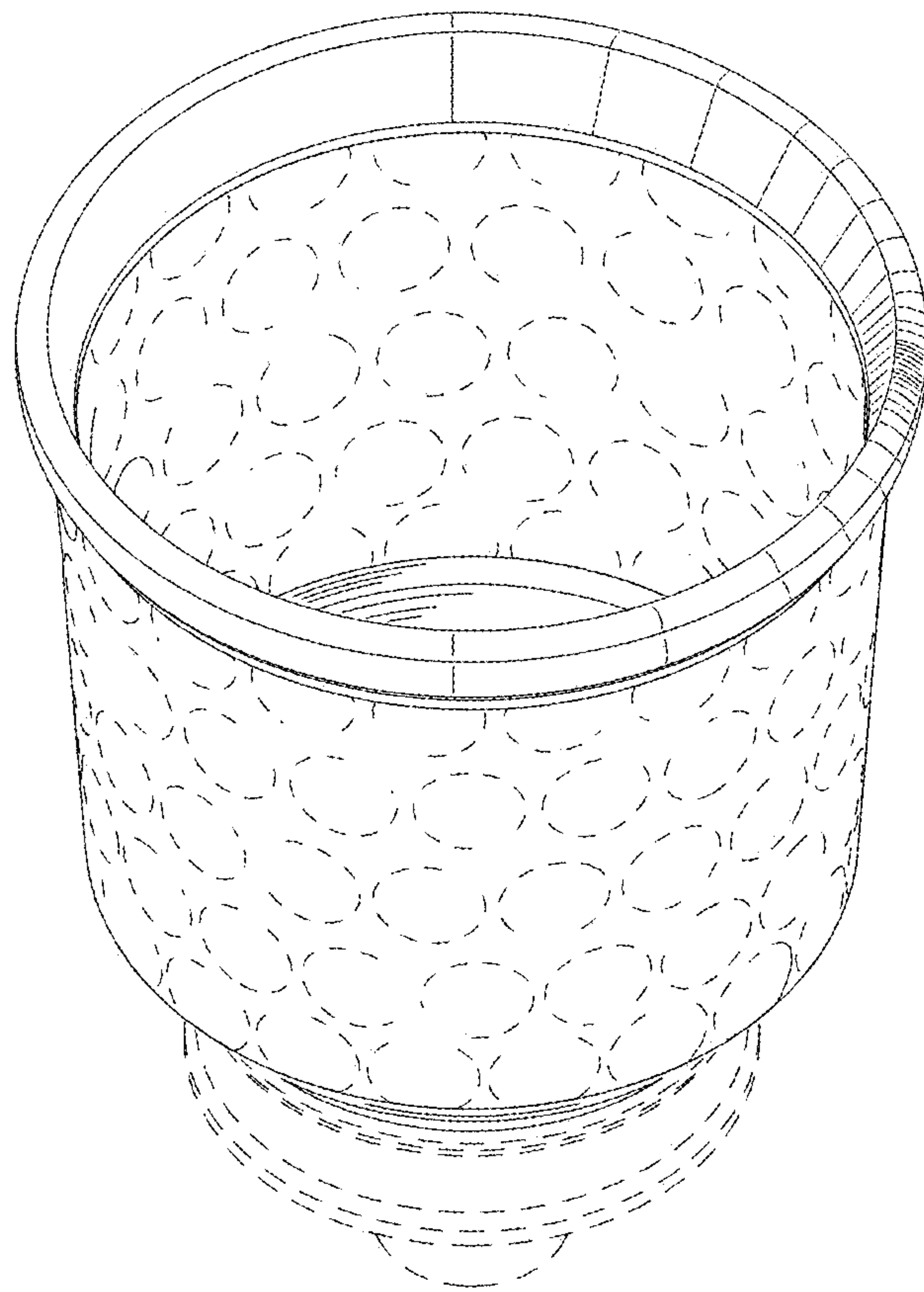


FIG. 8