



US00D890397S

(12) **United States Design Patent**
Liu

(10) **Patent No.:** **US D890,397 S**

(45) **Date of Patent:** **** Jul. 14, 2020**

(54) **UMBRELLA LIGHT**

D688,821 S * 8/2013 Fuersich D26/2
D701,629 S * 3/2014 Steedly D26/2
D789,567 S * 6/2017 Katterheinrich D26/2

(71) Applicant: **Feng Liu**, Hunan (CN)

* cited by examiner

(72) Inventor: **Feng Liu**, Hunan (CN)

Primary Examiner — Marcus A Jackson

(**) Term: **15 Years**

(21) Appl. No.: **29/661,704**

(22) Filed: **Aug. 30, 2018**

(57) **CLAIM**

(51) **LOC (12) Cl.** **26-02**

The ornamental design for an umbrella light, as shown and described.

(52) **U.S. Cl.**

USPC **D26/38**; D26/2

(58) **Field of Classification Search**

USPC D26/1-4, 38

CPC H01R 5/00; H01R 13/46; H01R 13/514;

H01R 31/048; H01R 31/02; H01J 5/00;

H01J 5/16; H01J 1/02; H01J 15/00; H01J

5/48; H01J 5/50; H01J 19/54; F21V 5/00;

F21K 9/00; F21K 13/00

See application file for complete search history.

DESCRIPTION

FIG. 1 is a front perspective view of an umbrella light showing my new design;

FIG. 2 is a front elevational view thereof;

FIG. 3 is a rear elevational view thereof;

FIG. 4 is a left side elevational view thereof;

FIG. 5 is a right side elevational view thereof;

FIG. 6 is a top plan view thereof; and,

FIG. 7 is a bottom plan view thereof.

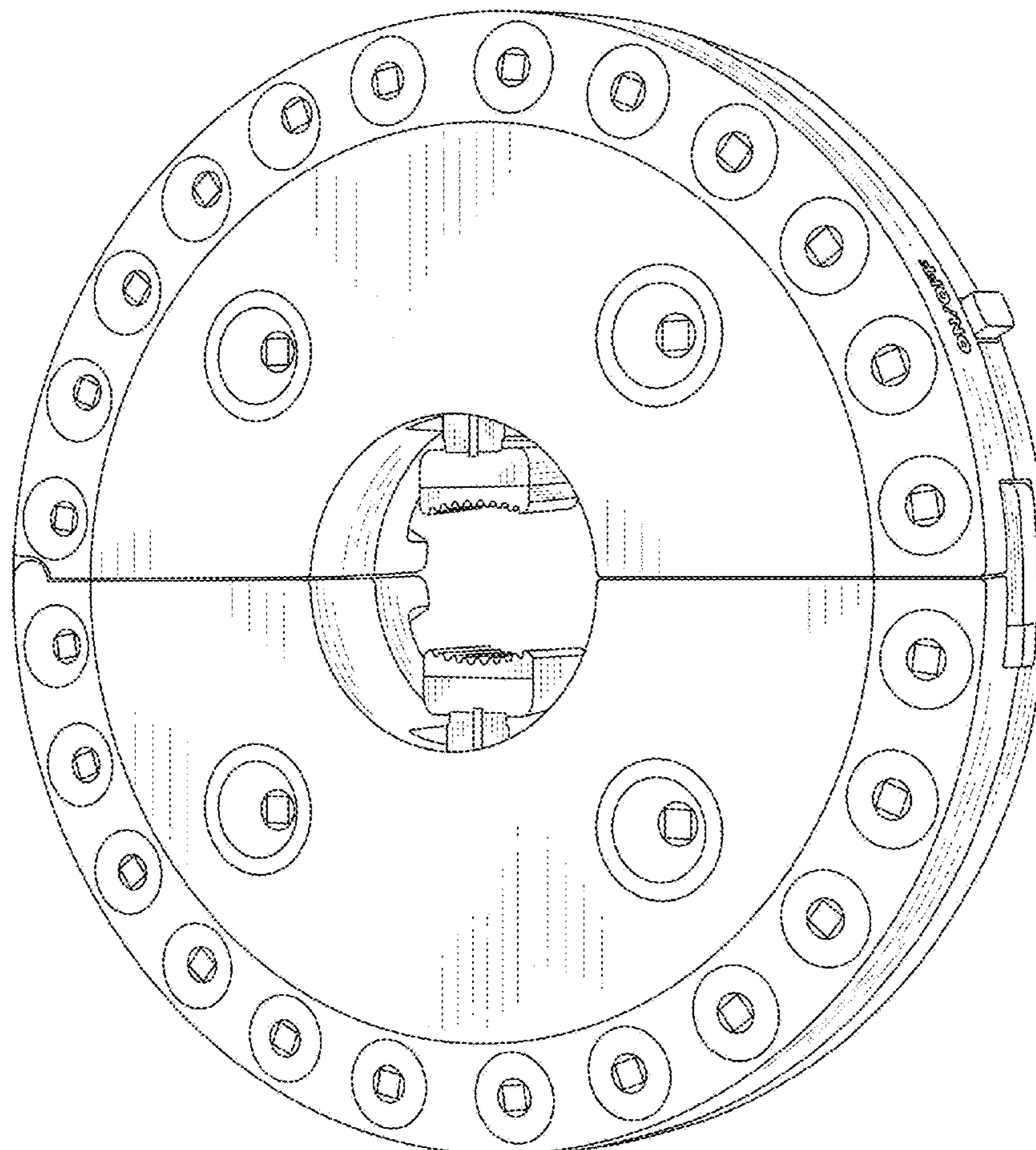
(56) **References Cited**

U.S. PATENT DOCUMENTS

D626,666 S * 11/2010 Yamamoto D26/2

D682,447 S * 5/2013 Lyu D26/2

1 Claim, 7 Drawing Sheets



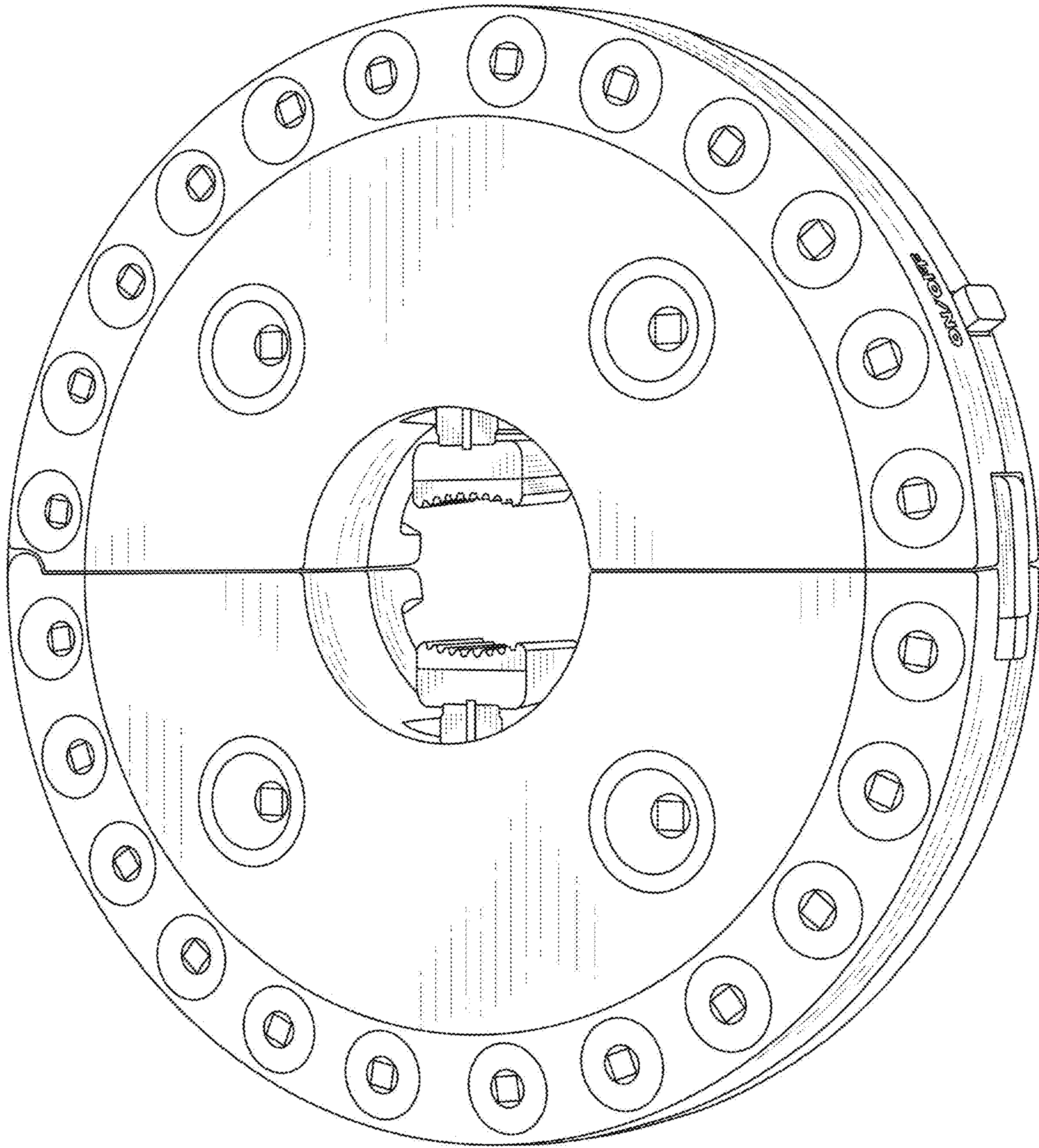


FIG.1

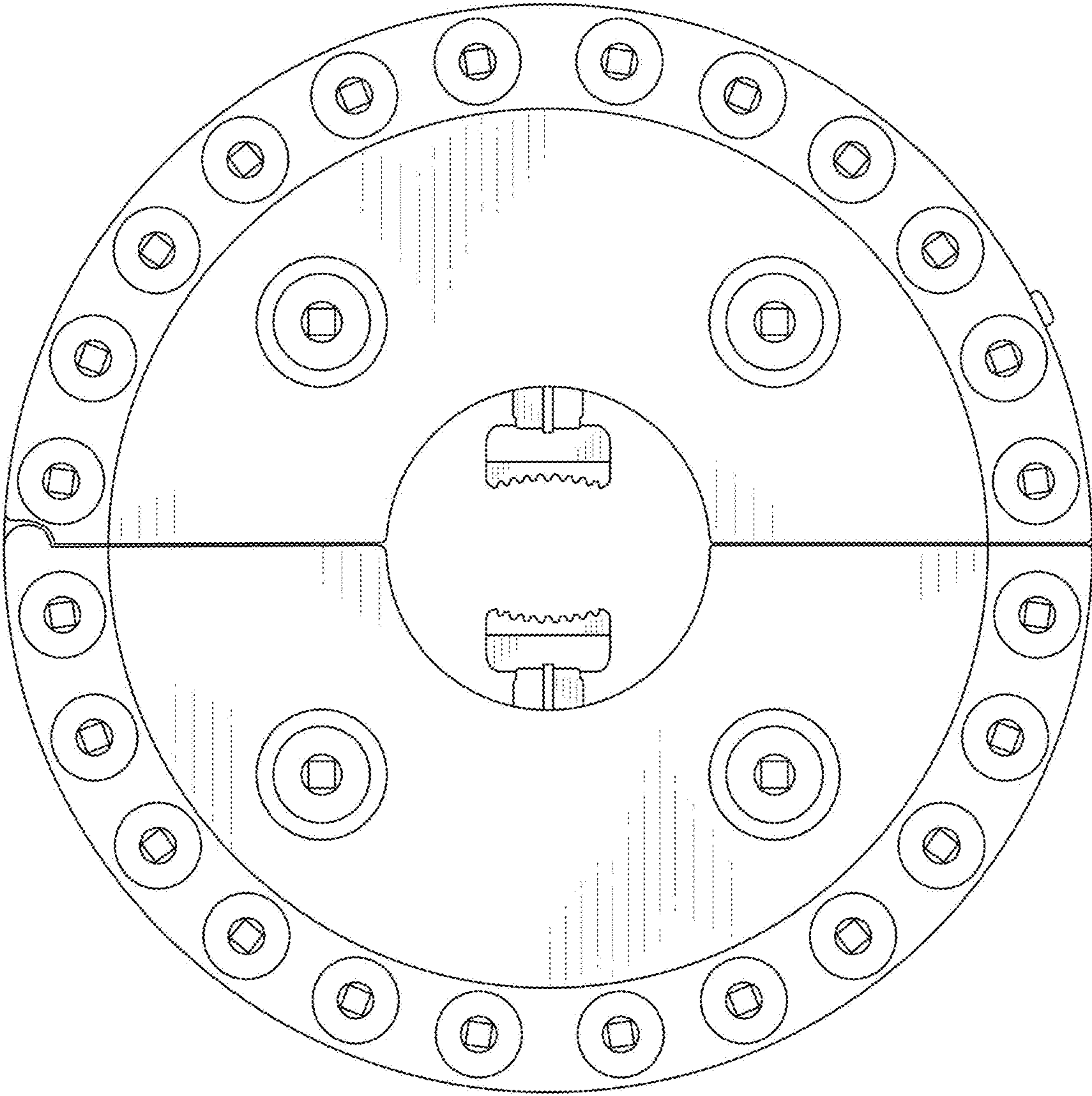


FIG.2

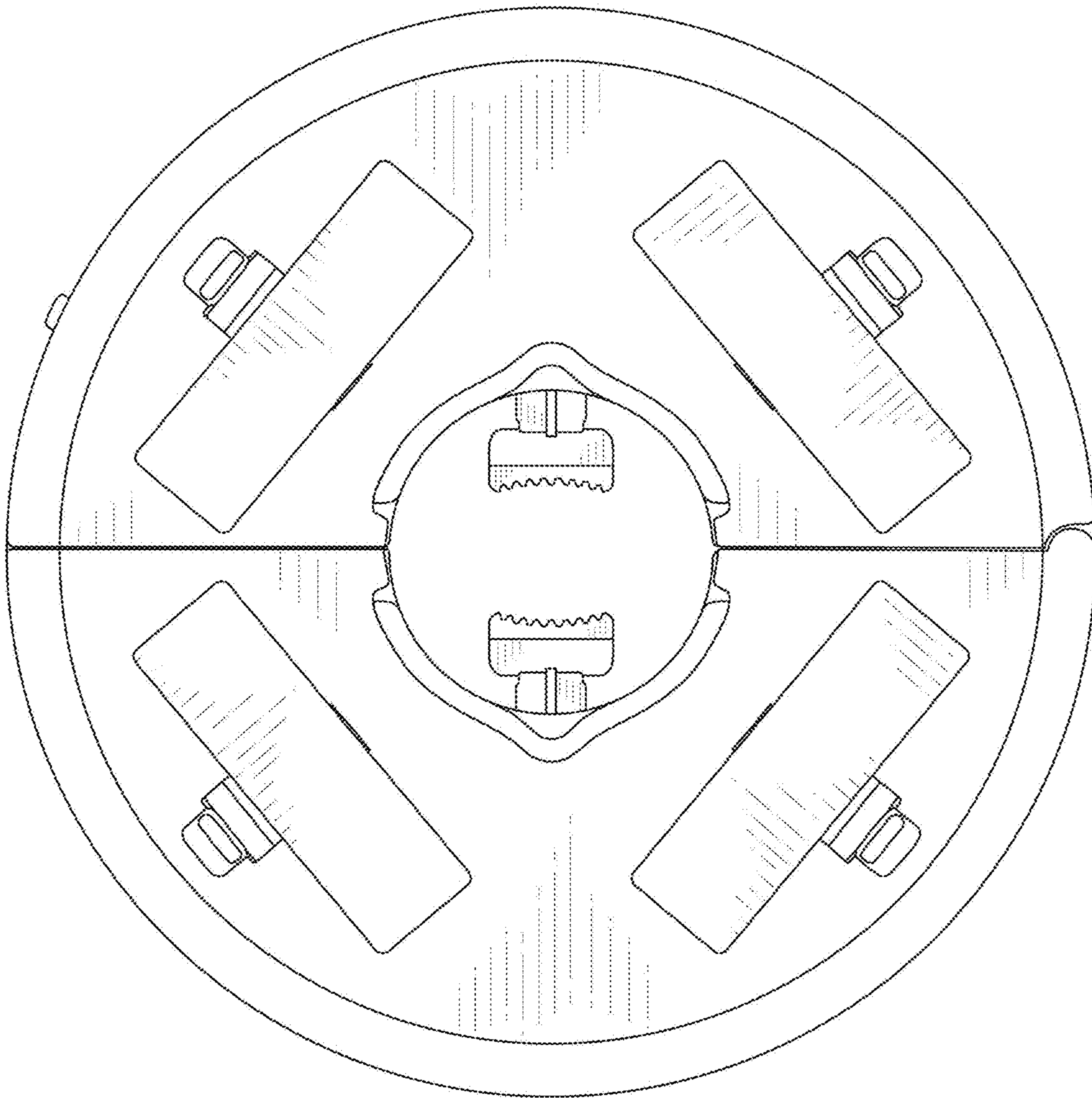


FIG.3

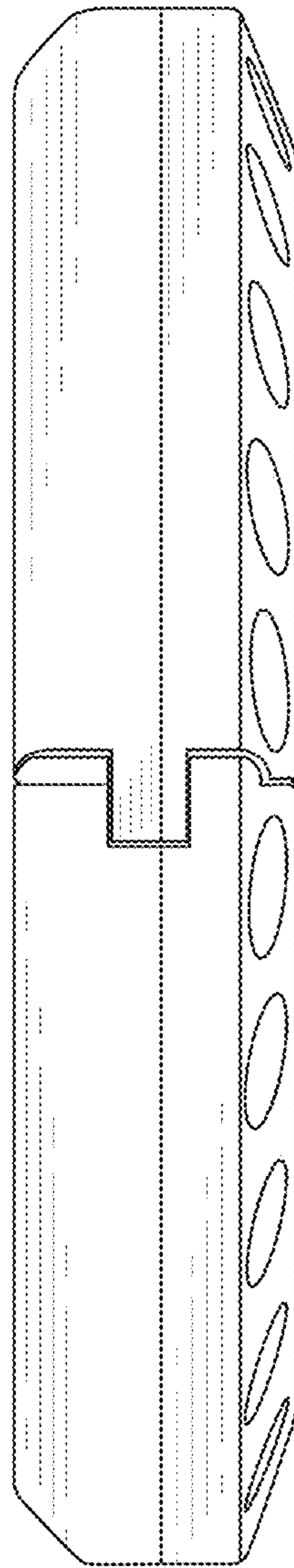


FIG.4

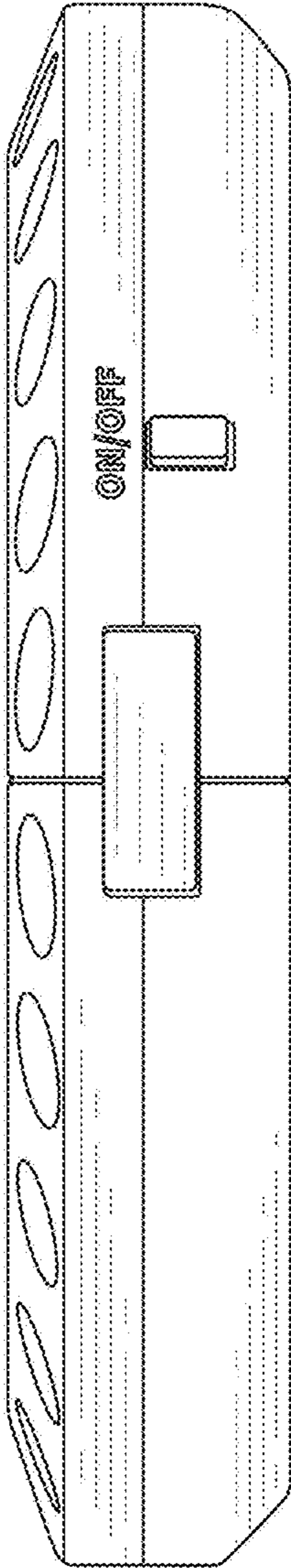


FIG.5

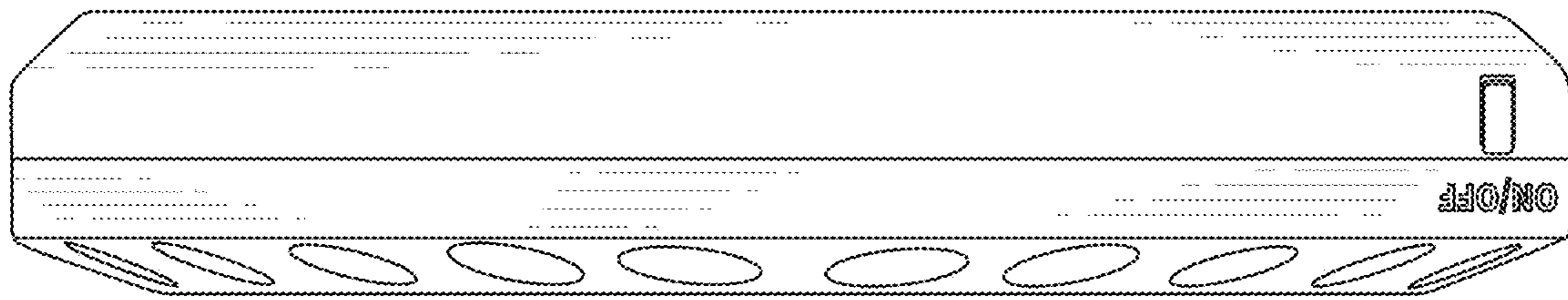


FIG.6

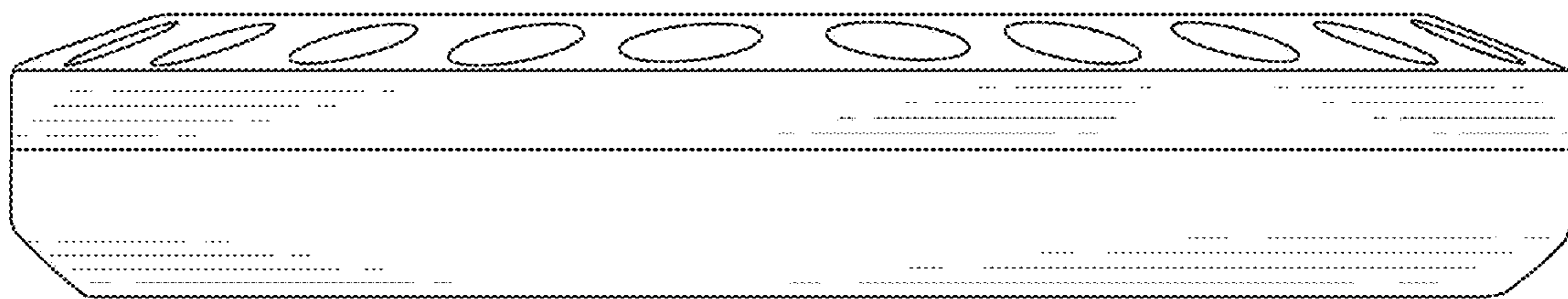


FIG.7