



US00D890395S

(12) **United States Design Patent**
Bertken

(10) **Patent No.:** **US D890,395 S**

(45) **Date of Patent:** **** Jul. 14, 2020**

(54) **UTILITY LIGHT**

(71) Applicant: **IDEAPOND LLC**, San Diego, CA
(US)

(72) Inventor: **Dennis Bertken**, San Diego, CA (US)

(73) Assignee: **IDEAPOND LLC**, Las Vegas, NV
(US)

(**) Term: **15 Years**

(21) Appl. No.: **29/674,672**

(22) Filed: **Dec. 22, 2018**

(51) **LOC (12) Cl.** **26-02**

(52) **U.S. Cl.**
USPC **D26/37**

(58) **Field of Classification Search**

USPC D26/1, 24, 25, 43, 60, 110, 113, 28, 37,
D26/61, 85, 102, 138-140; 362/249.14,
362/311.02, 311.13
CPC F21S 4/00; F21S 4/10; F21S 4/15; F21S
4/26; F21S 2/00; F21S 8/003; F21S
8/043; F21V 11/02; F21V 11/06; F21V
17/10; F21V 17/16; F21V 21/0296; F21V
21/0054; F21V 21/008; F21V 21/00;
F21V 21/08; F21V 23/00; F21V 23/04;
F21V 33/00; F21V 21/14; F21V 21/30;
F21V 15/01; F21V 14/02; F21V 14/00;
F21V 14/06; F21W 2121/00; F21W
2121/04; F21Y 2115/10; F21L 4/00; F21L
4/02; F21L 4/04; F21L 4/08

See application file for complete search history.

(56) **References Cited**

U.S. PATENT DOCUMENTS

D553,276 S * 10/2007 Campbell D26/37
D703,354 S * 4/2014 Kotsis D26/37

D743,072 S * 11/2015 Cooper D26/37
D866,027 S * 11/2019 Cacciabeve D26/37
D875,284 S * 2/2020 Cacciabeve D26/37

* cited by examiner

Primary Examiner — Abraham Bahta

(74) *Attorney, Agent, or Firm* — US IP Attorneys, P.C.;
Timothy Marc Shropshire

(57) **CLAIM**

The ornamental design for a utility light, as shown and described.

DESCRIPTION

FIG. 1 is a front perspective view of a utility light showing my new design;

FIG. 2 is a rear perspective view thereof;

FIG. 3 is a front elevational view thereof;

FIG. 4 is a rear elevational view thereof;

FIG. 5 is a left-side elevational view thereof;

FIG. 6 is a right-side elevational view thereof;

FIG. 7 is a top plan view thereof;

FIG. 8 is a bottom plan view thereof;

FIG. 9 is a rear perspective view thereof;

FIG. 10 is a front perspective view thereof;

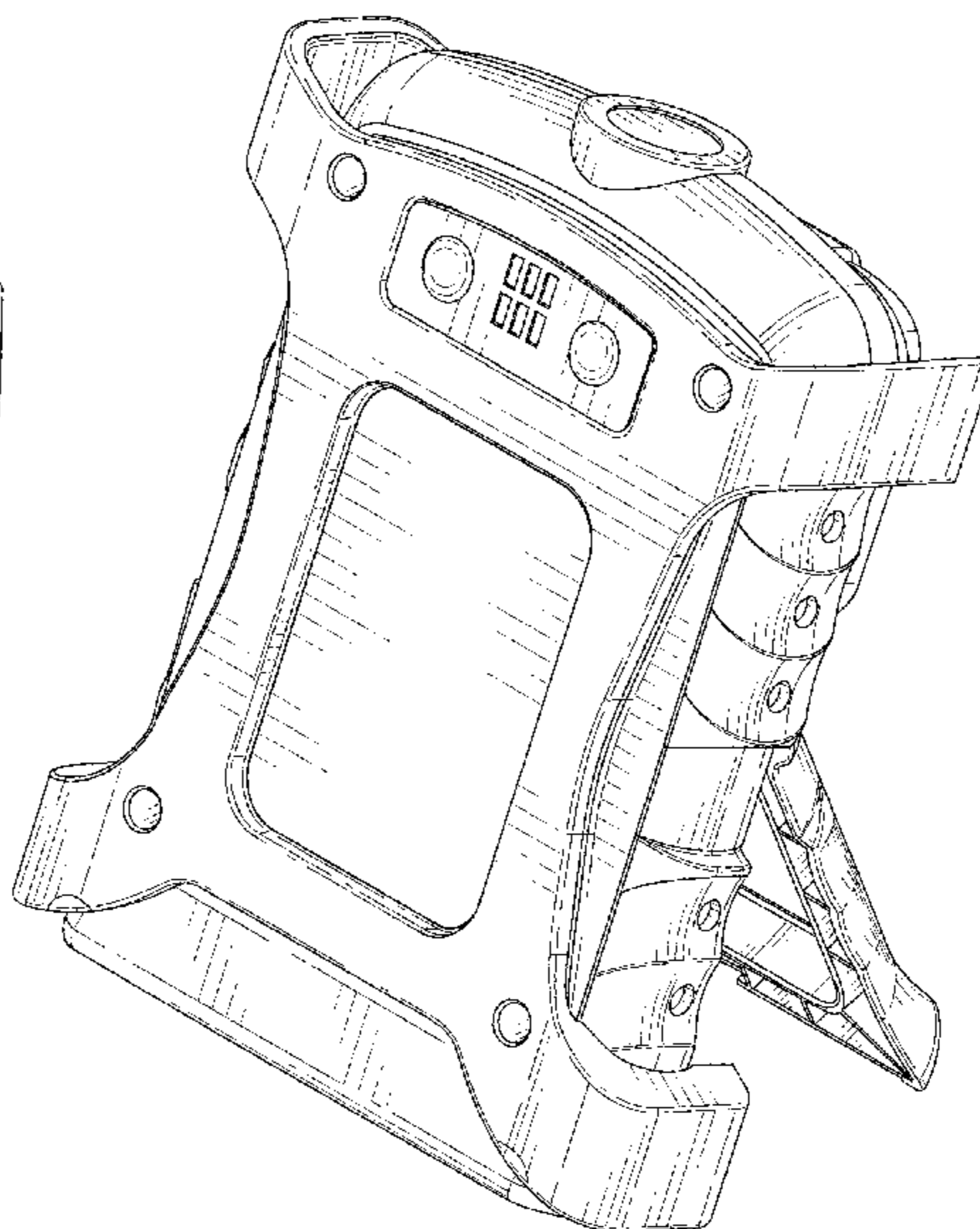
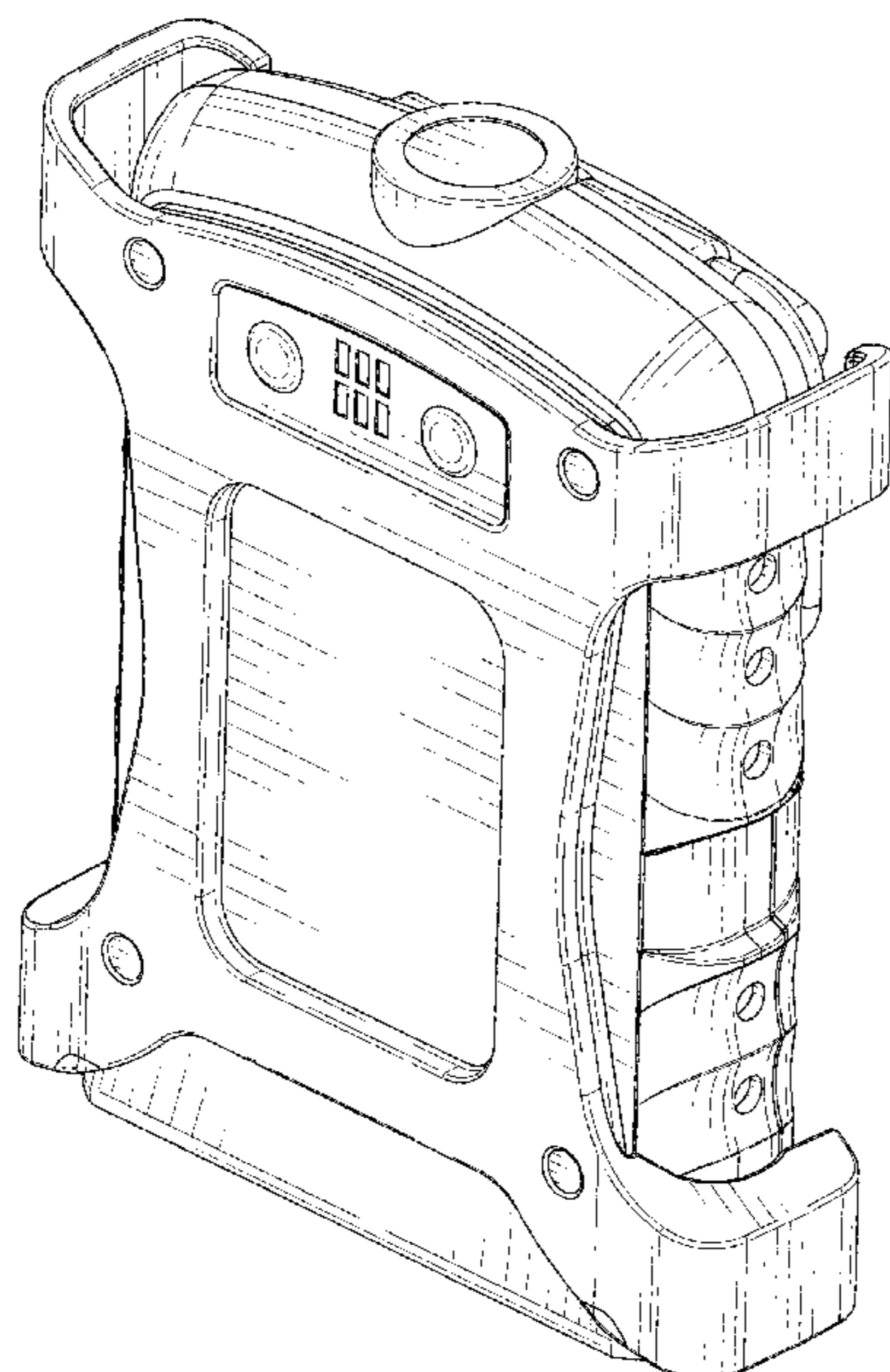
FIG. 11 is a front perspective view thereof, showing the support member in a deployed position;

FIG. 12 is a rear perspective view thereof, showing the support member in the deployed position; and,

FIG. 13 is a rear perspective view thereof, showing the port cover in an open position.

The broken lines in the drawings depict parts of the utility light that form no part of the claimed design.

1 Claim, 12 Drawing Sheets



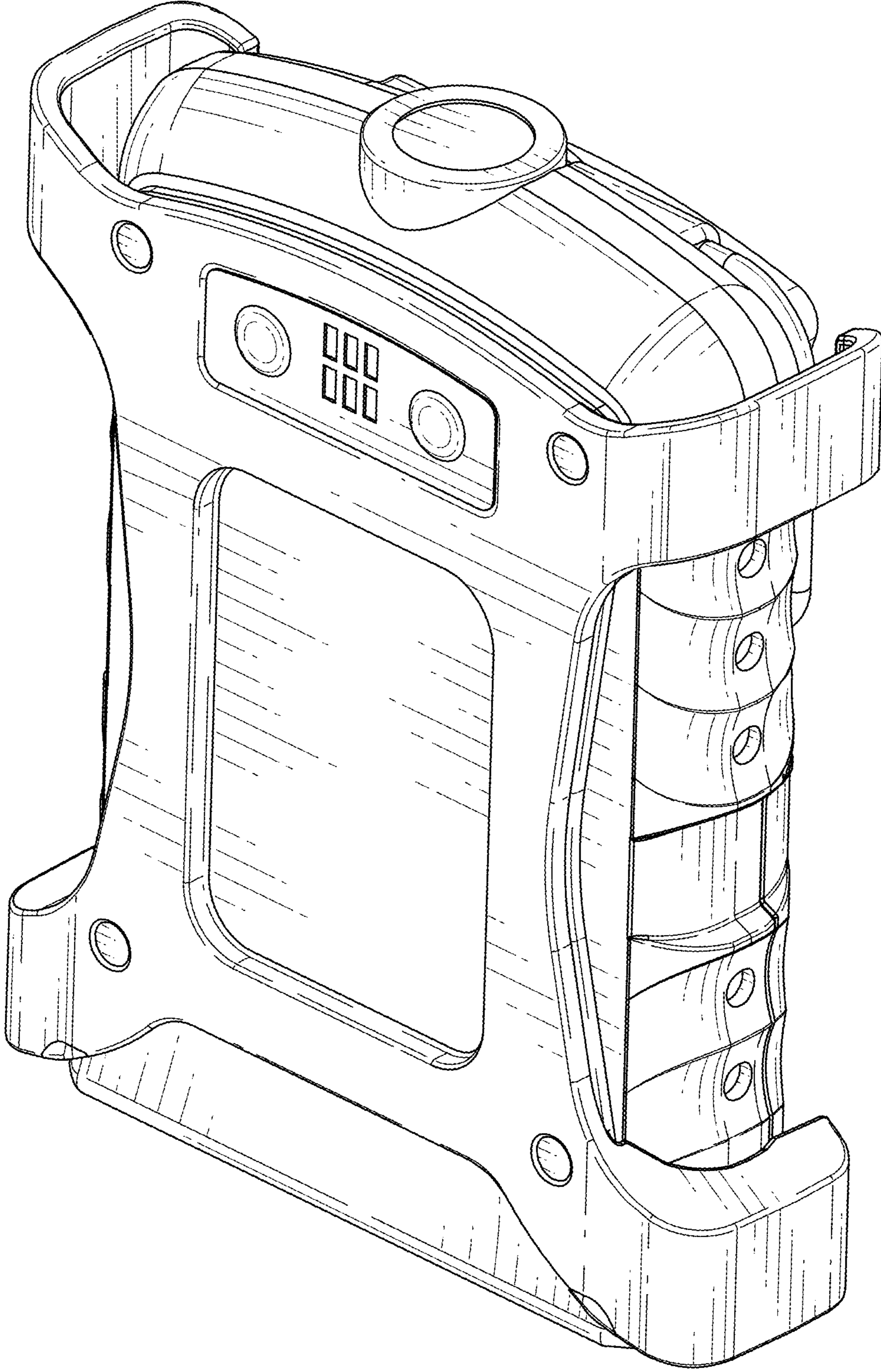


FIG. 1

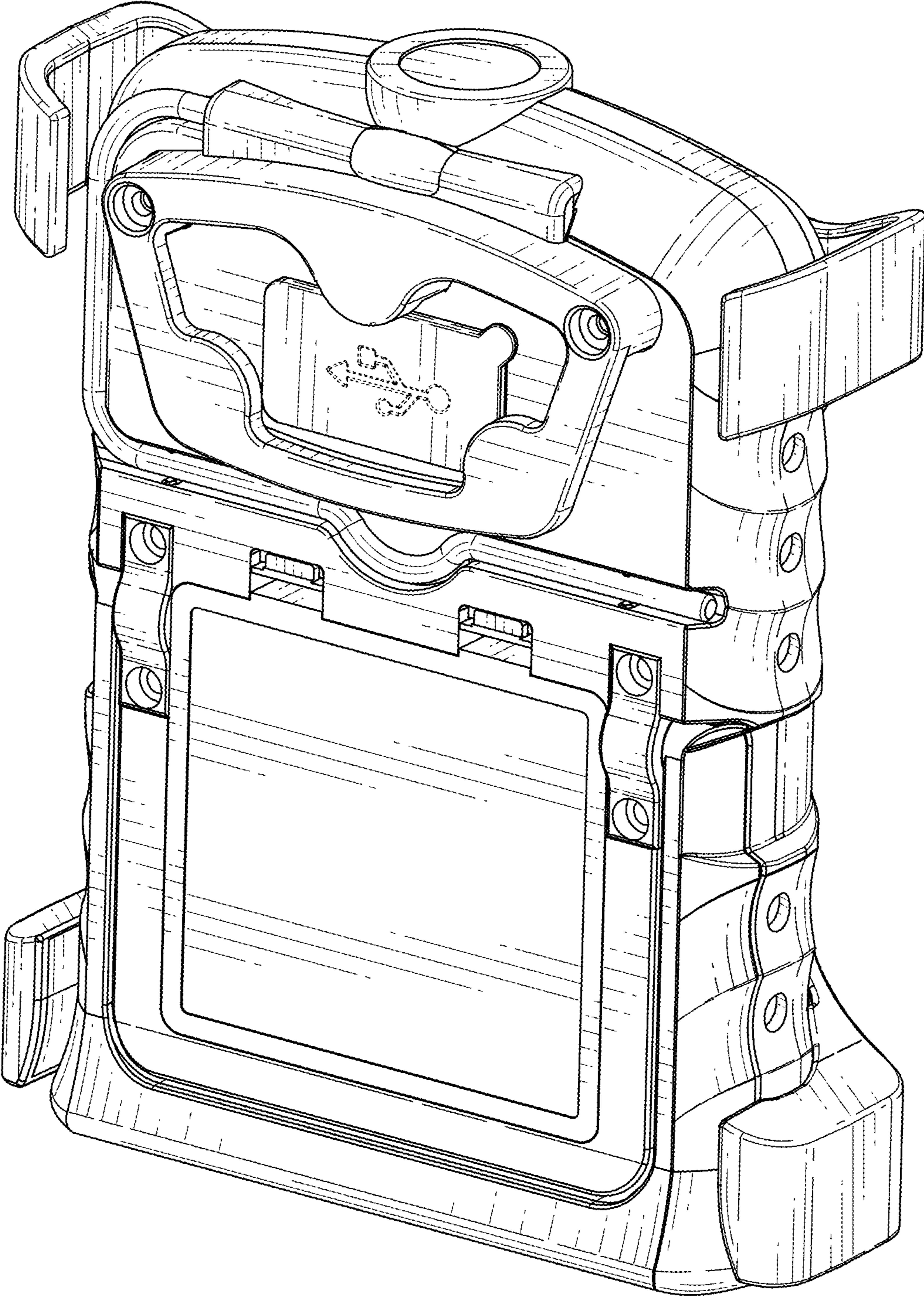


FIG. 2

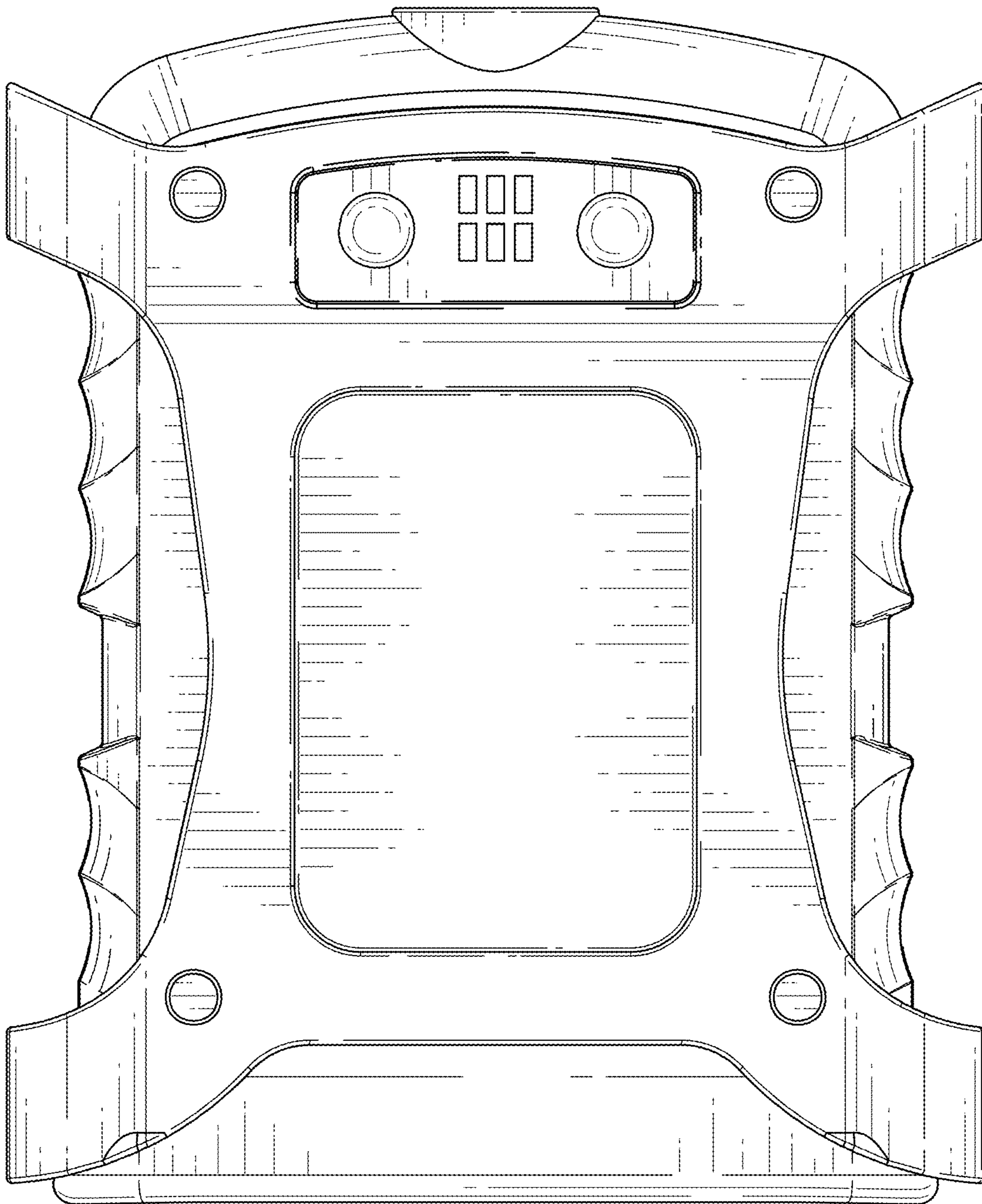


FIG. 3

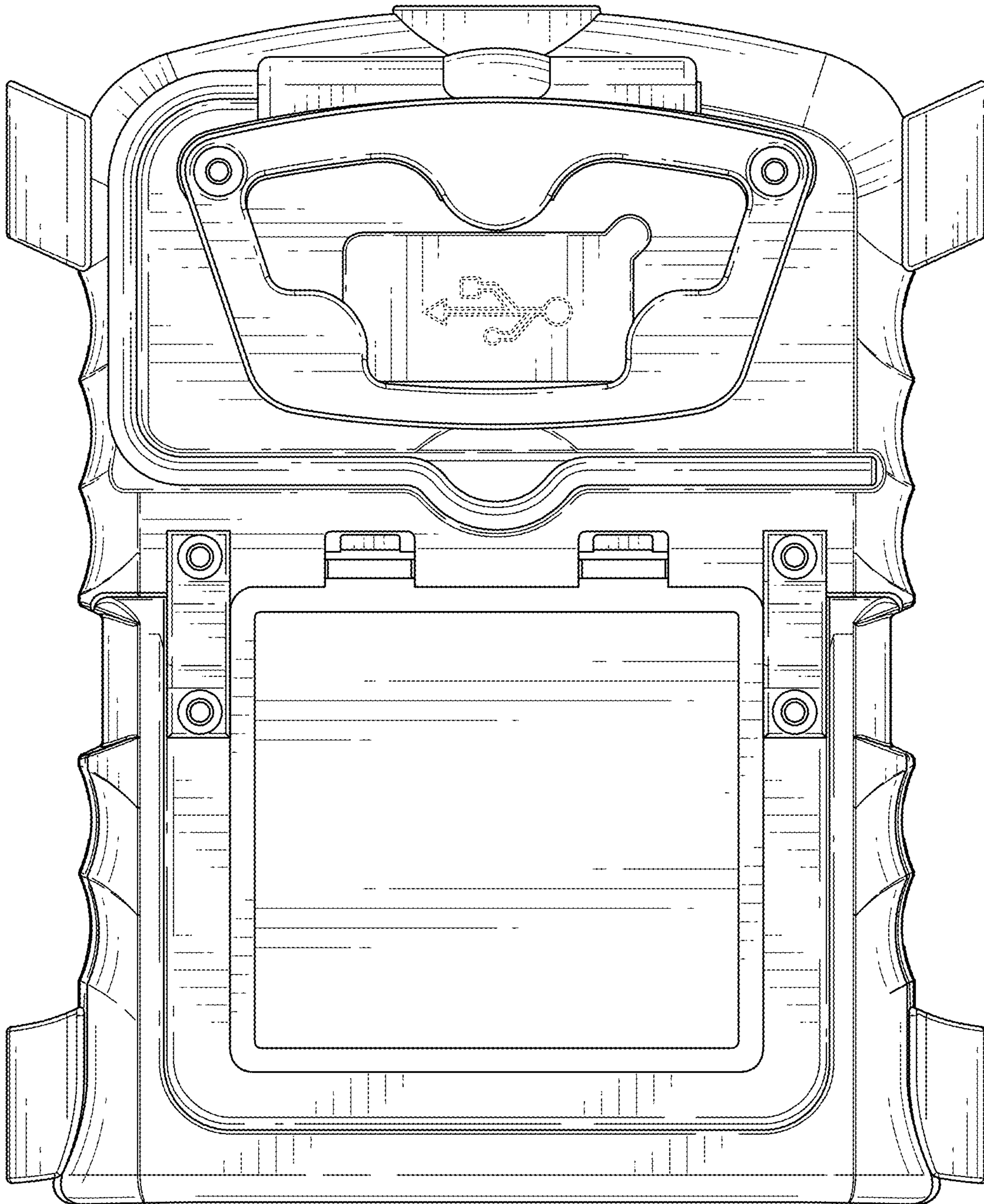


FIG. 4

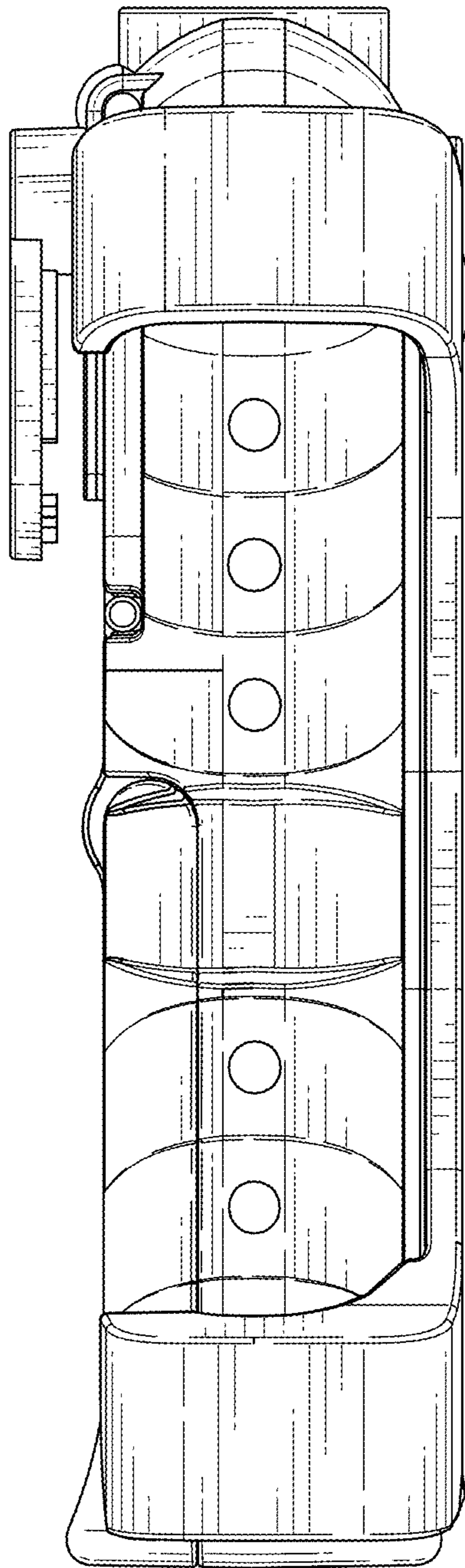


FIG. 5

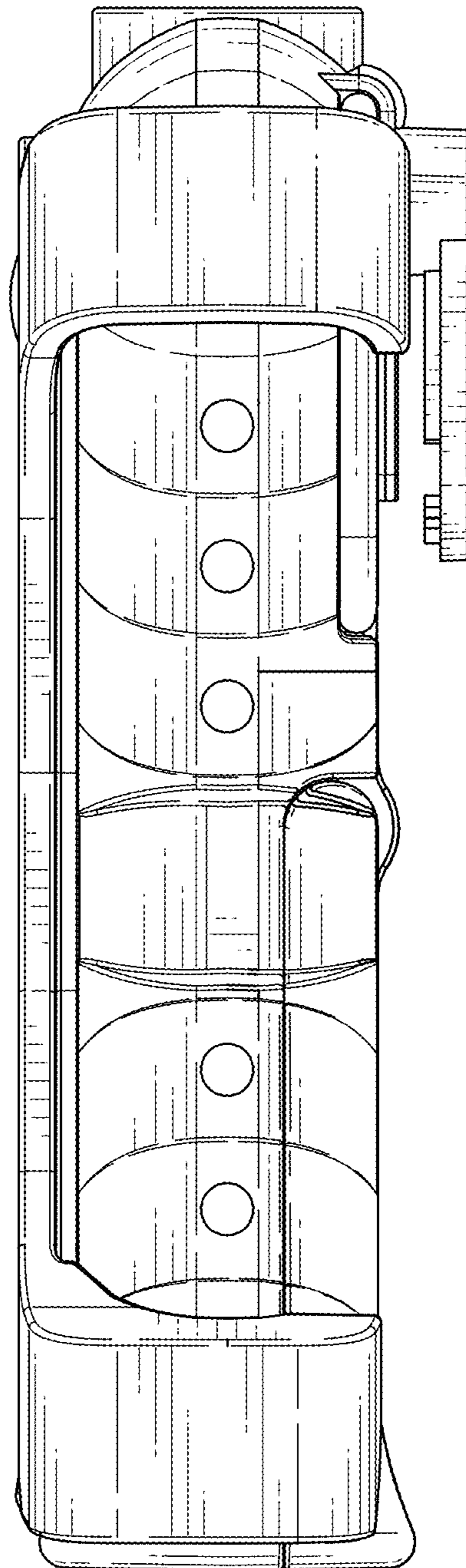


FIG. 6

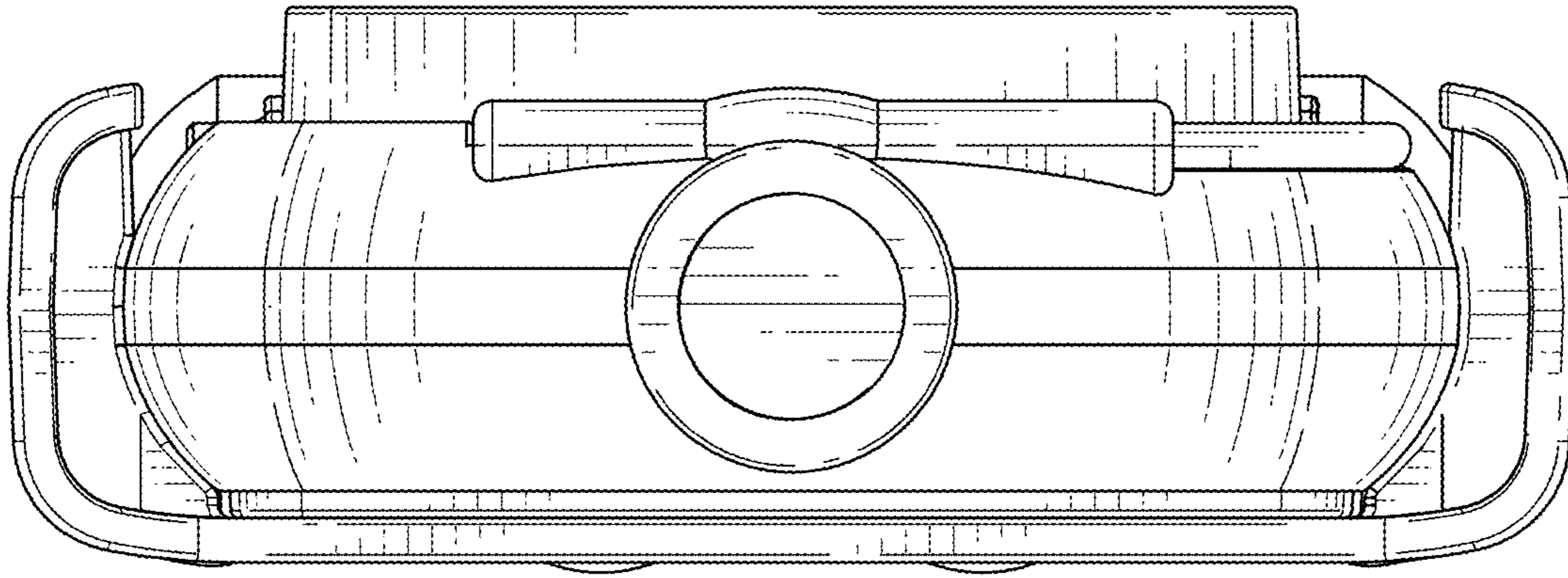


FIG. 7

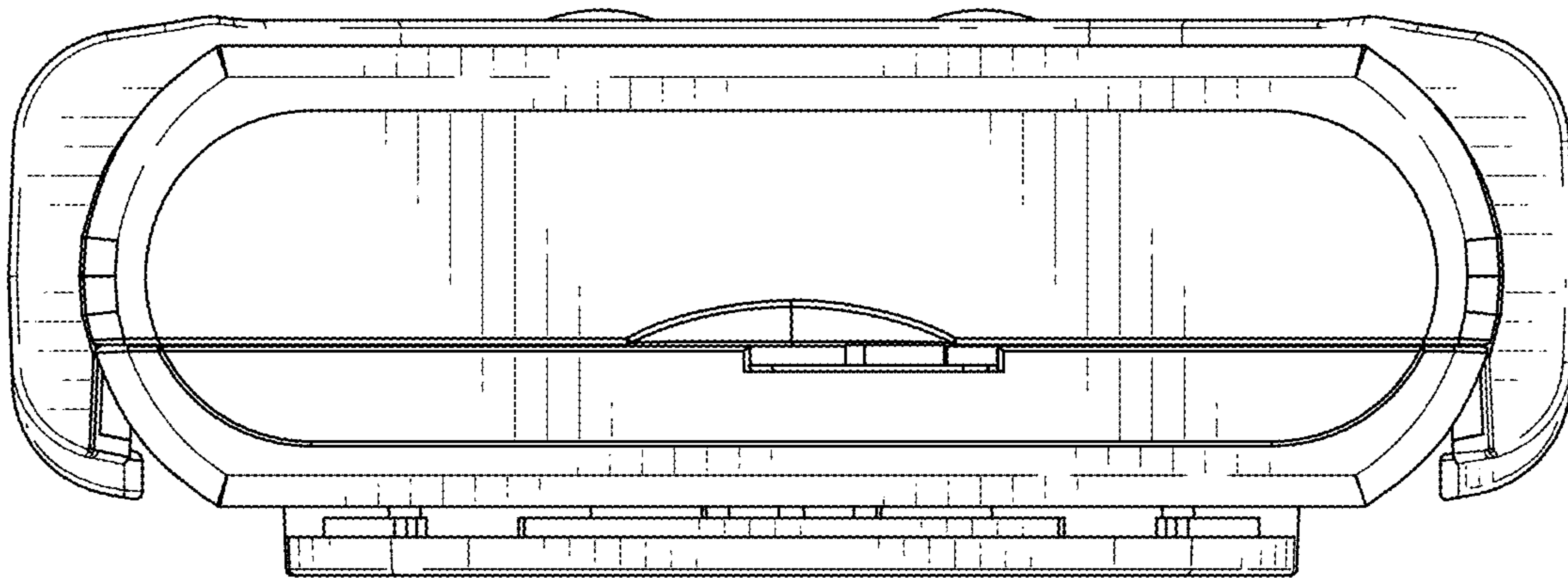


FIG. 8

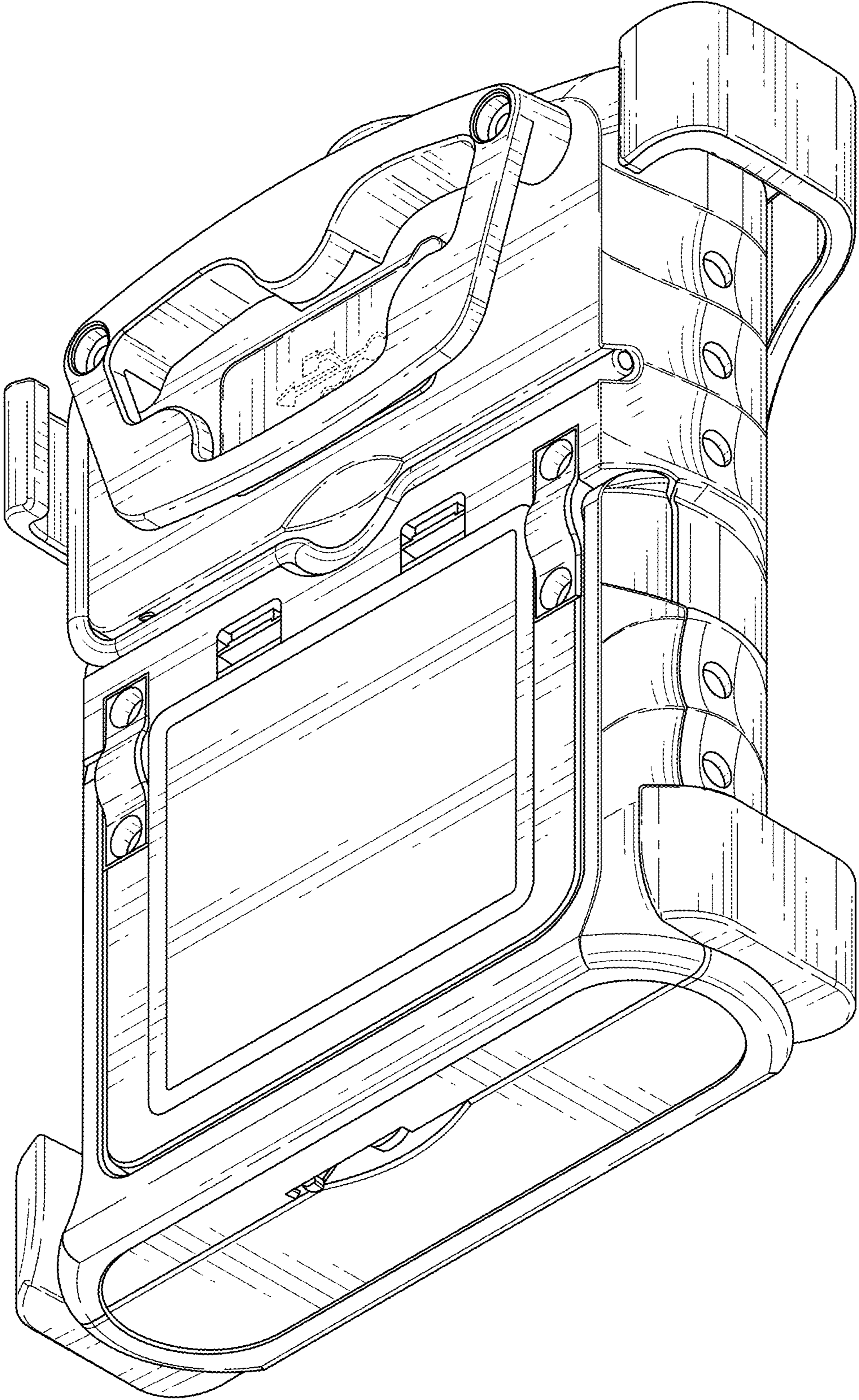


FIG. 9

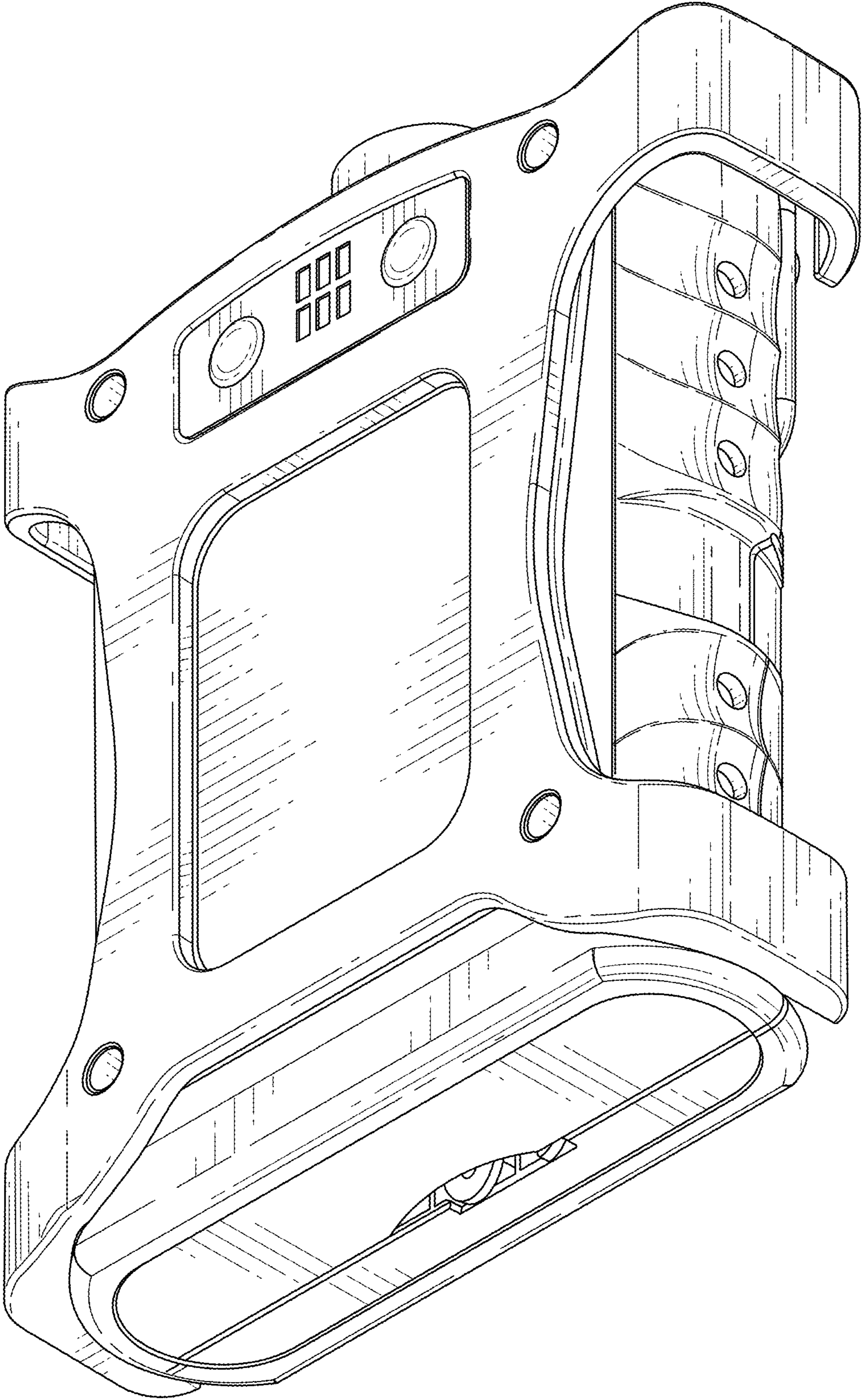


FIG. 10

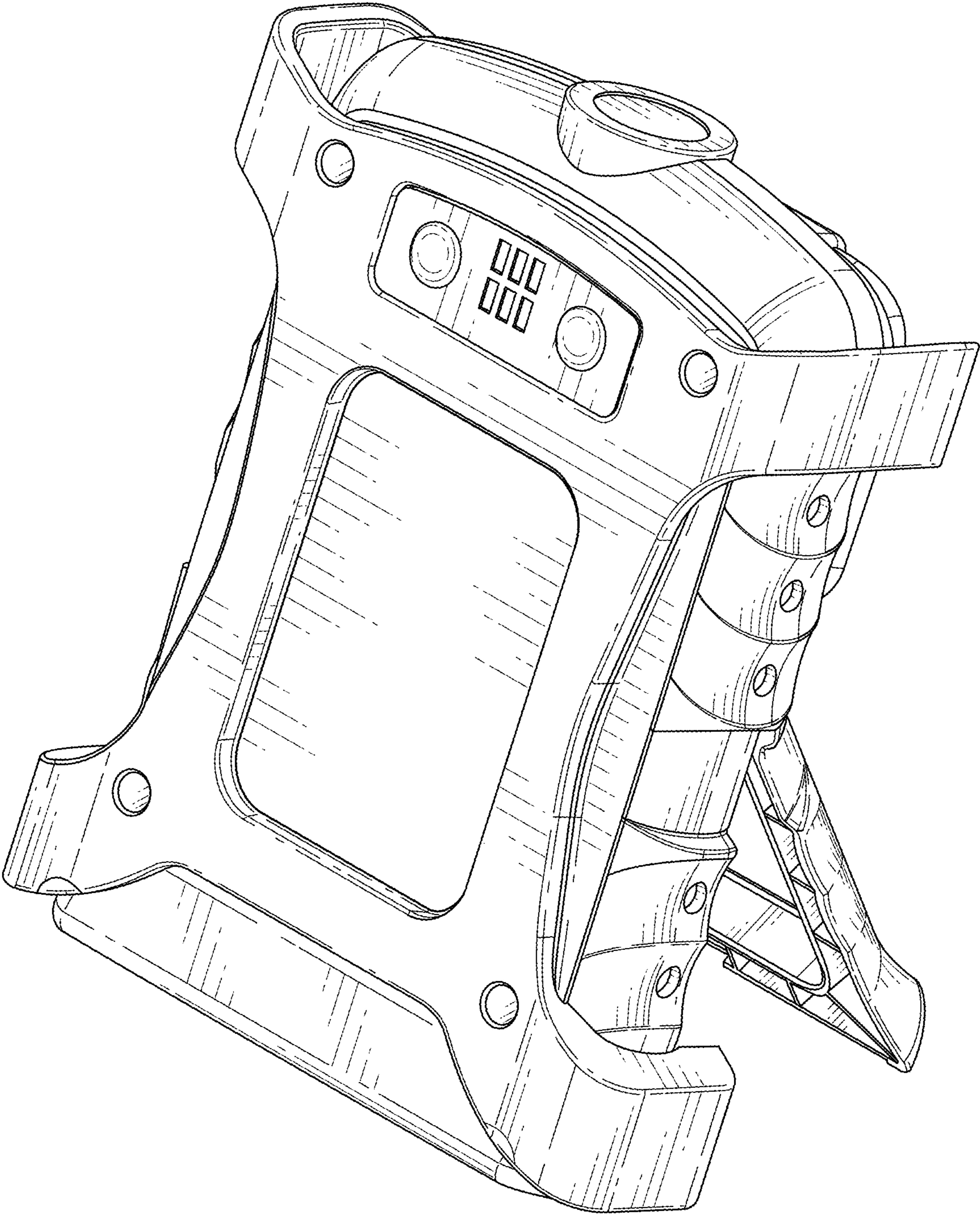


FIG. 11

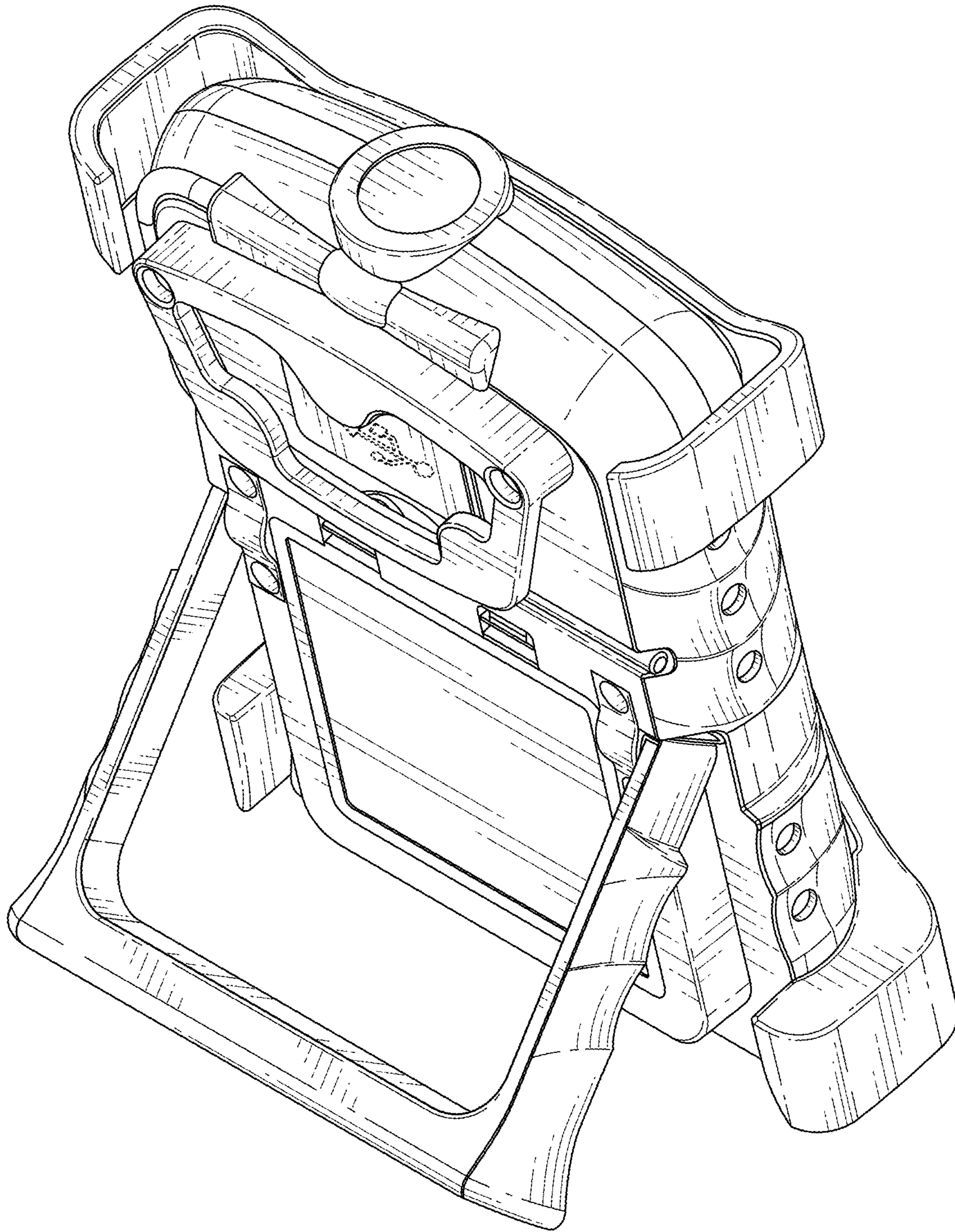


FIG. 12

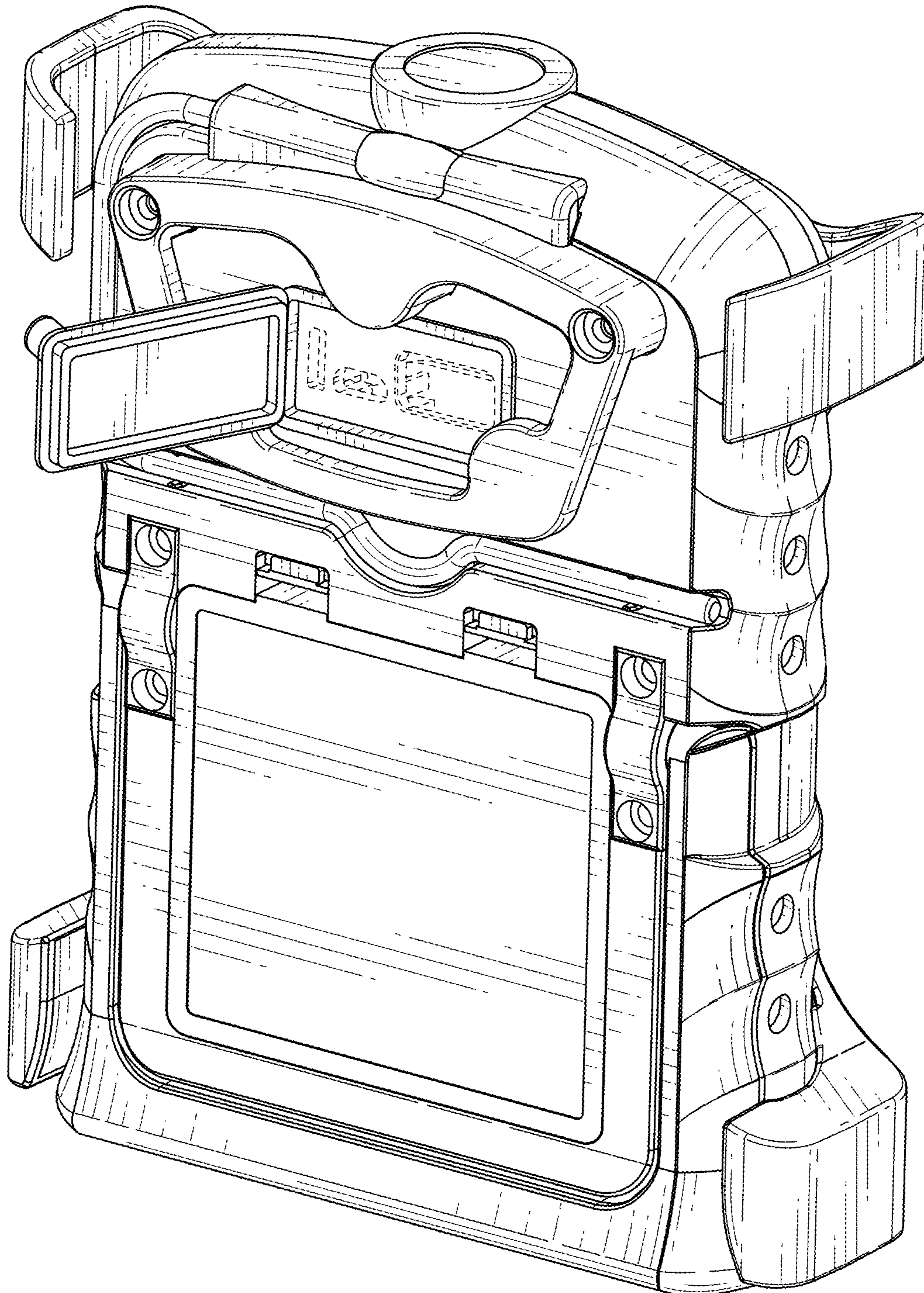


FIG. 13