



US00D890394S

(12) **United States Design Patent** (10) **Patent No.:** **US D890,394 S**
Cameron et al. (45) **Date of Patent:** **** Jul. 14, 2020**

(54) **LIGHT BAR FOR A TRUCK DECK**

(74) *Attorney, Agent, or Firm* — Nathan V. Woodruff

(71) Applicant: **Marlon Recreational Products Ltd.**,
Chiliwack (CA)

(72) Inventors: **Bruce Cameron**, Chiliwack (CA);
Brett McDowell, Chiliwack (CA);
Andrew Kramer, Chiliwack (CA)

(57) **CLAIM**

We claim the ornamental design for a light bar for a truck deck, as shown and described.

(73) Assignee: **Marlon Recreational Products Ltd.**,
Chiliwack (CA)

(**) Term: **15 Years**

DESCRIPTION

(21) Appl. No.: **29/644,354**

FIG. 1 is a perspective view of the light bar for a truck deck in a retracted position;

(22) Filed: **Apr. 17, 2018**

FIG. 2 is a front elevation view thereof;

(51) **LOC (12) Cl.** **26-06**

FIG. 3 is a rear elevation view thereof;

(52) **U.S. Cl.**

FIG. 4 is a top plan view thereof;

USPC **D26/35**; D26/3

FIG. 5 is a bottom plan view thereof;

(58) **Field of Classification Search**

USPC D26/28–36, 139

FIG. 6 is an enlarged right side elevation view thereof;

CPC F21S 48/00; F21S 48/10; F21S 48/115;

FIG. 7 is an enlarged left side elevation view thereof;

F21S 48/225; F21S 48/1233; F21S

FIG. 8 is an enlarged a right side elevation view thereof in cross section, the cross section being taken along line 8-8 of FIG. 1;

48/1266; F21S 48/1388; F21S 48/2268;

FIG. 9 is a perspective view thereof with respect to a truck deck in the retracted position;

F21V 21/04; F21V 29/004; B60Q 9/13;

FIG. 10 is a perspective view thereof;

B60Q 9/135; B60Q 9/1375

FIG. 11 is a front elevation view thereof;

See application file for complete search history.

FIG. 12 is a rear elevation view thereof;

(56) **References Cited**

U.S. PATENT DOCUMENTS

D284,577 S * 7/1986 DuBose D15/28

D295,084 S * 4/1988 Weber D12/222

D310,793 S * 9/1990 Castagna D10/114.3

D347,902 S * 6/1994 Stutts D12/222

FIG. 13 is a top plan view thereof;

FIG. 14 is a bottom plan view thereof; and,

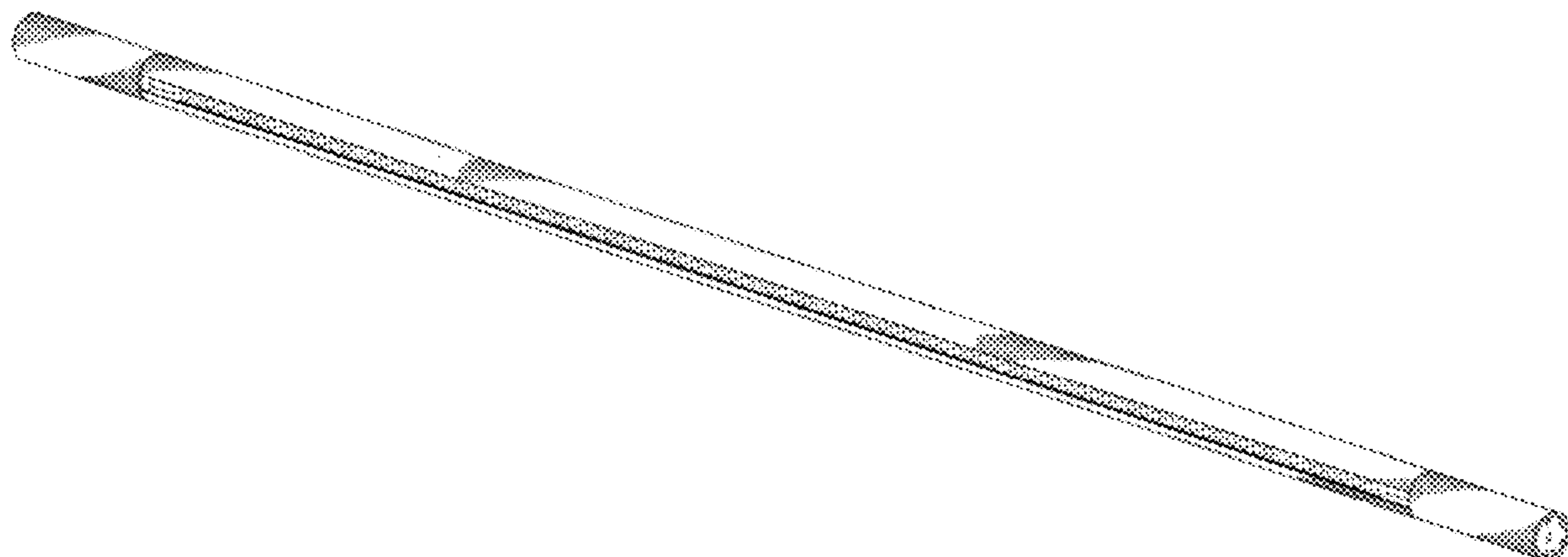
FIG. 15 is a perspective view thereof with respect to a truck deck in the extended position.

The portions shown in stippled lines form no part of the claimed design.

* cited by examiner

Primary Examiner — Marcus A Jackson

1 Claim, 13 Drawing Sheets



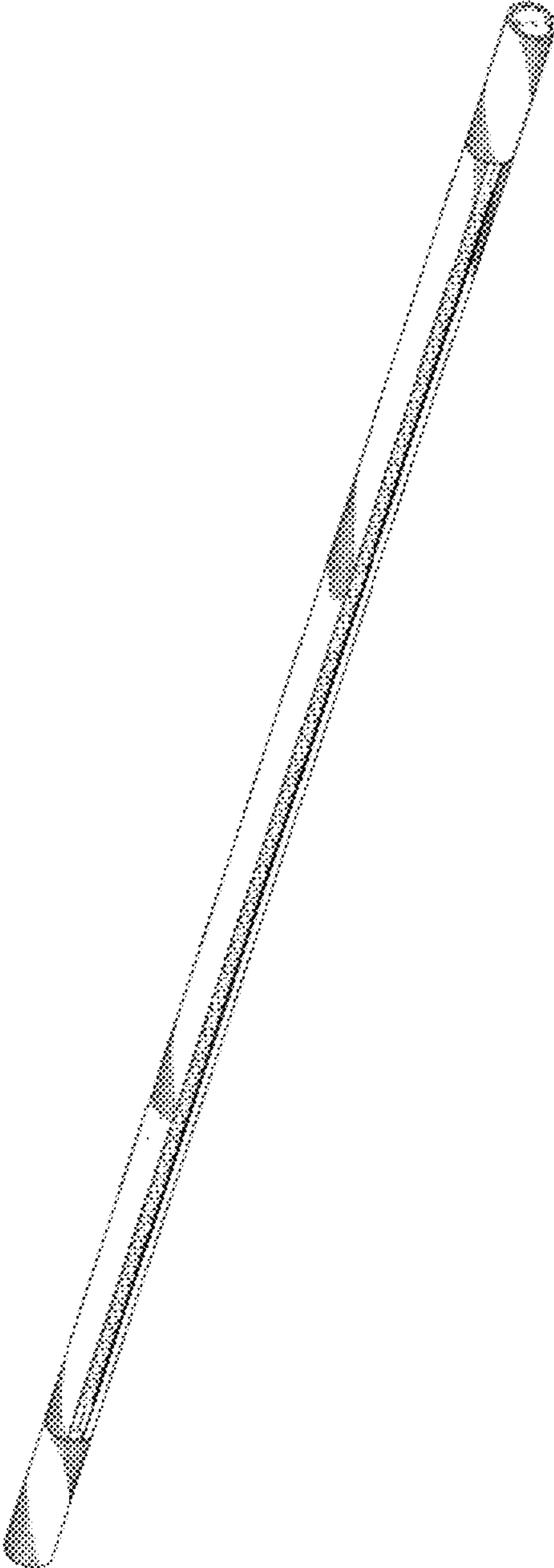


FIG. 1

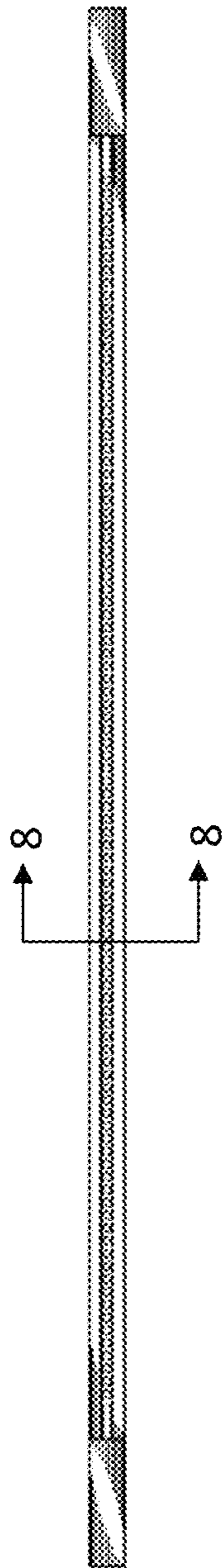


FIG. 2



FIG. 3

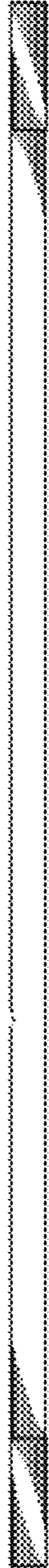


FIG. 4

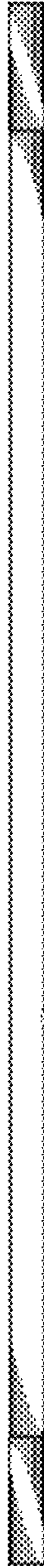


FIG. 5

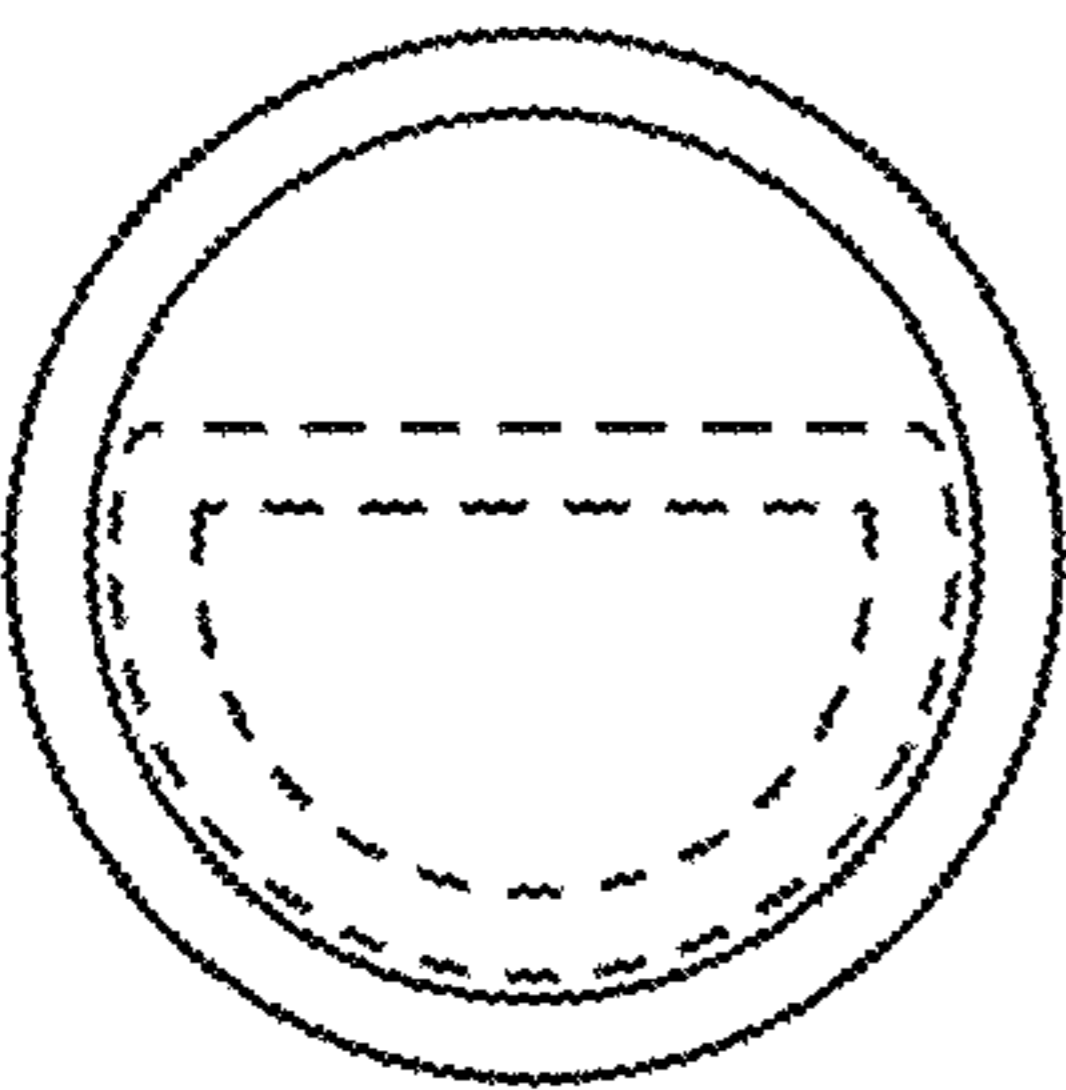


FIG. 6

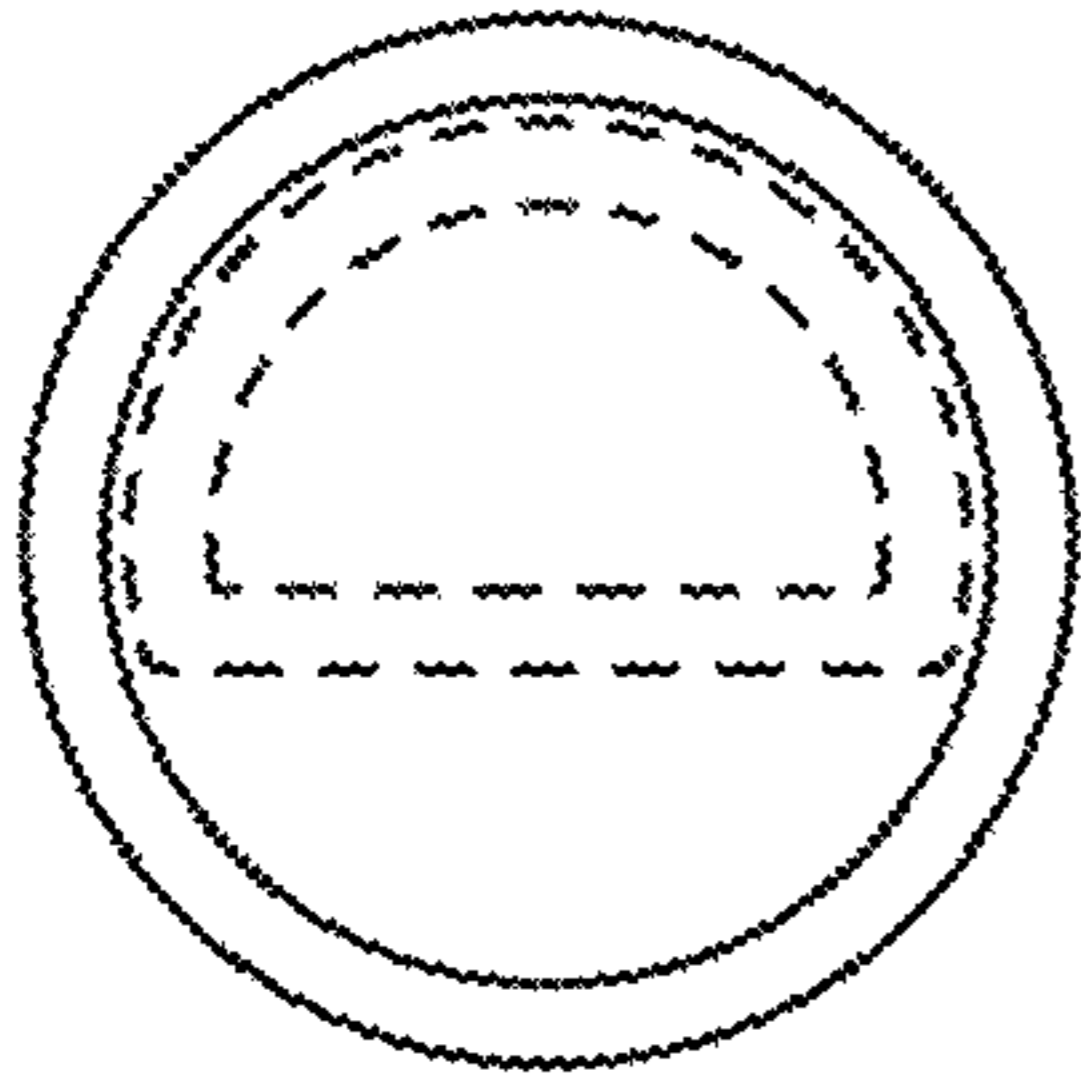


FIG. 7

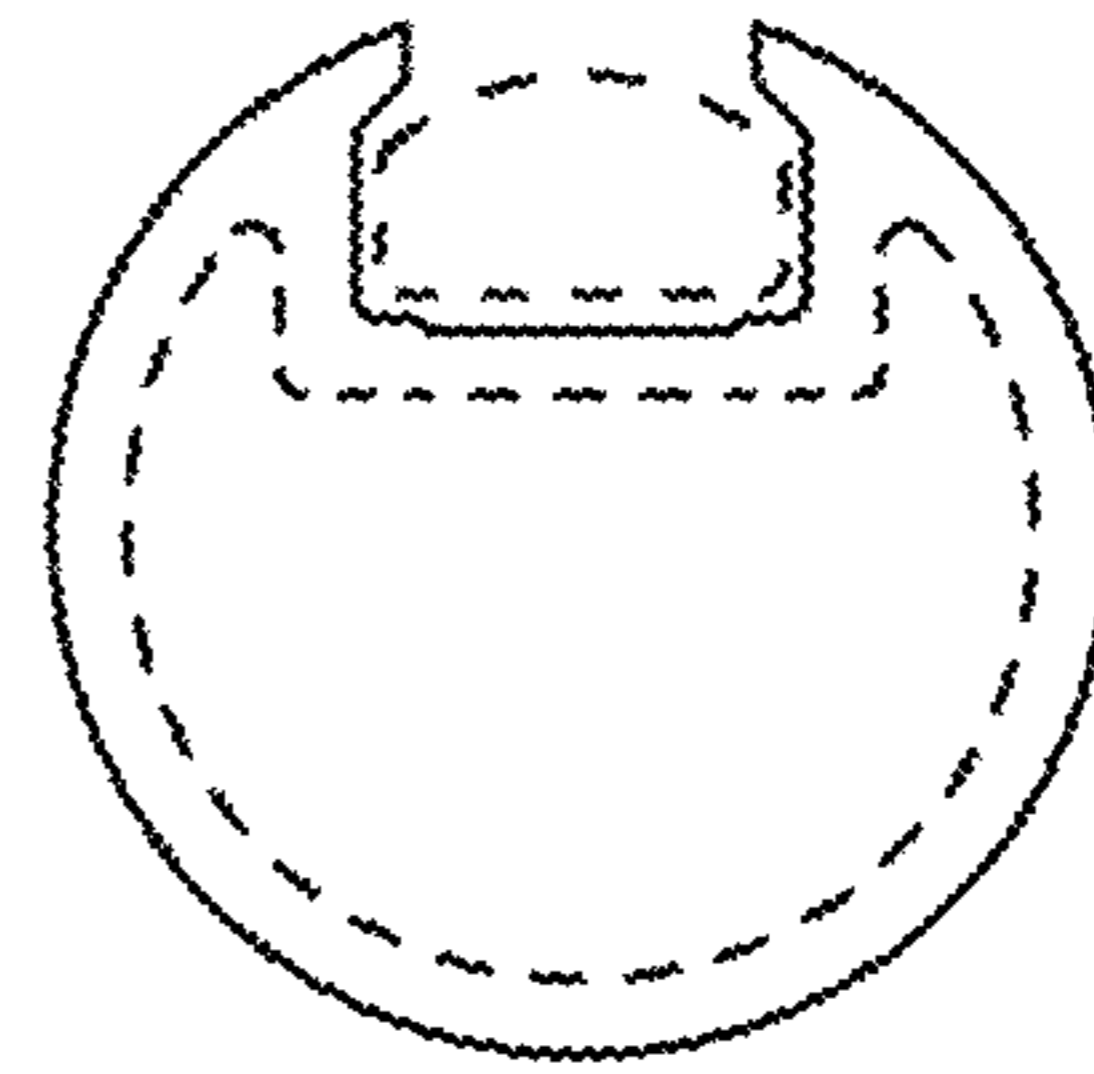


FIG. 8

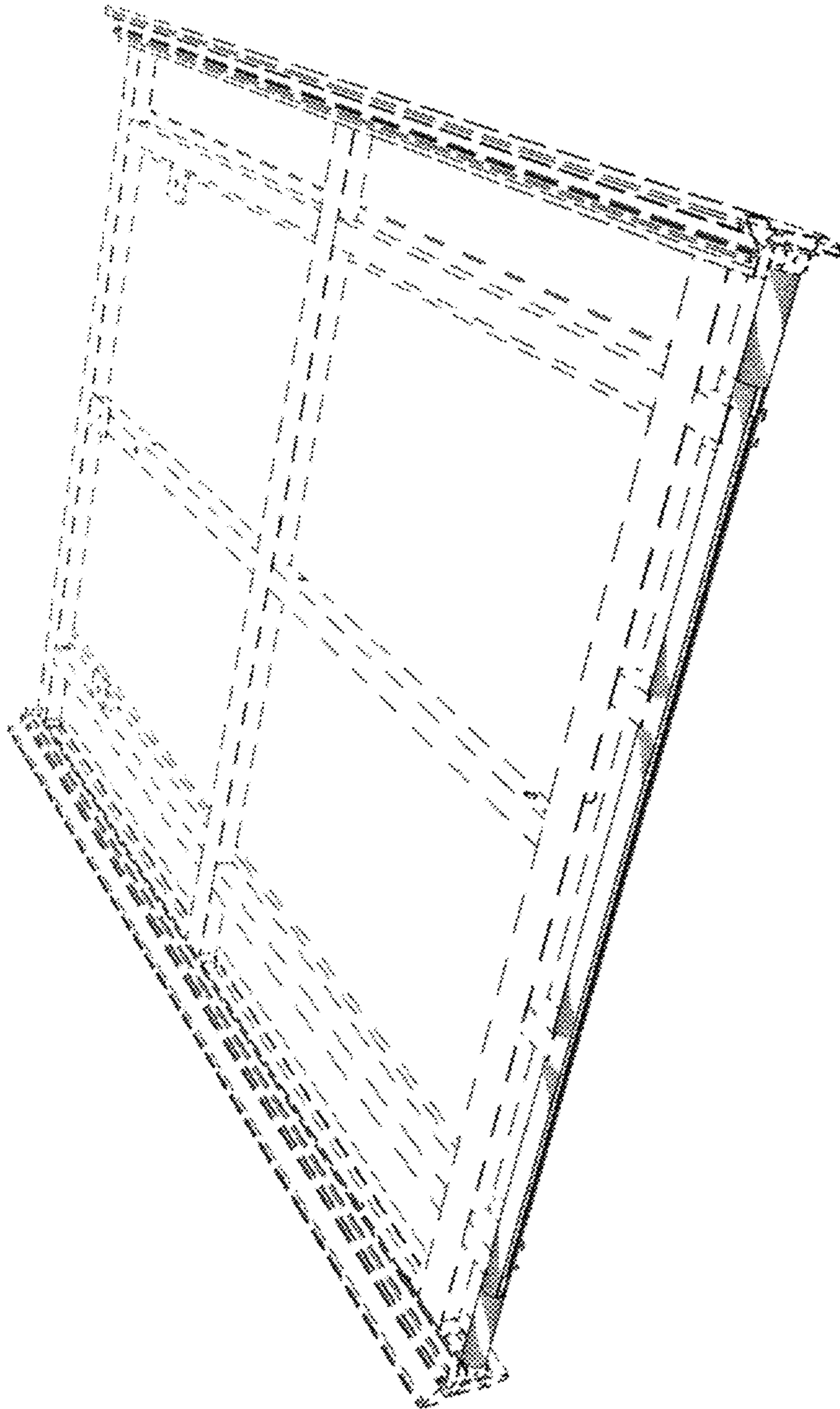


FIG. 9

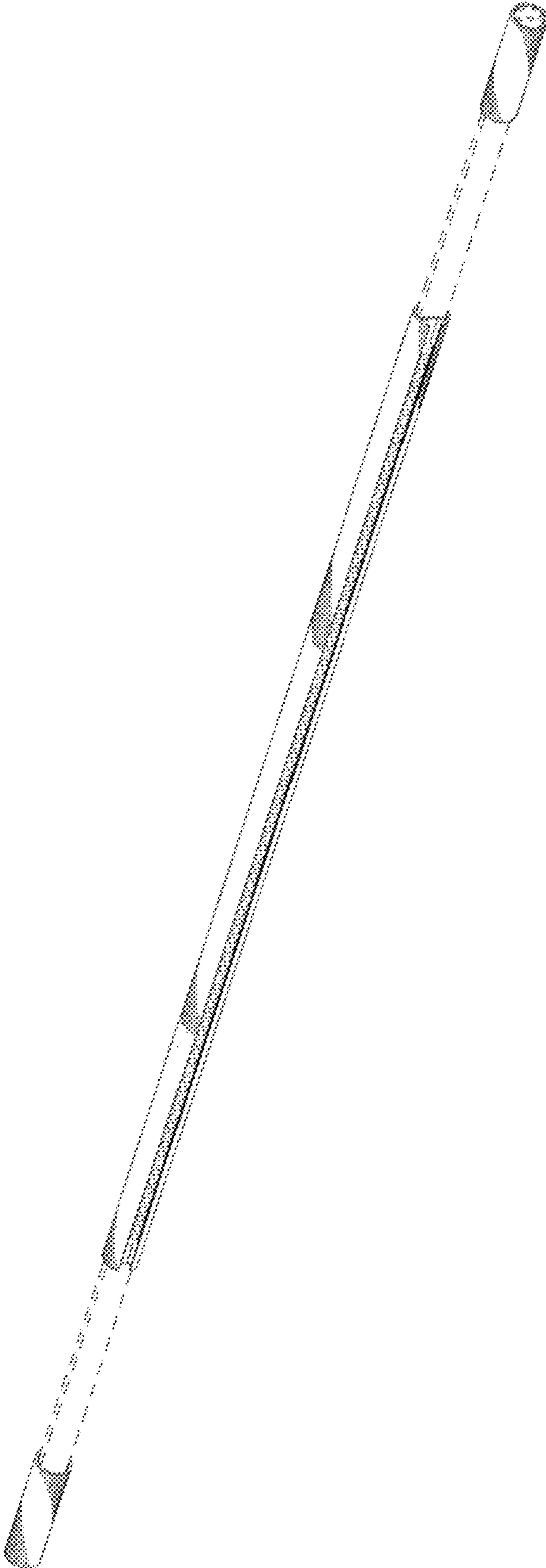


FIG. 10

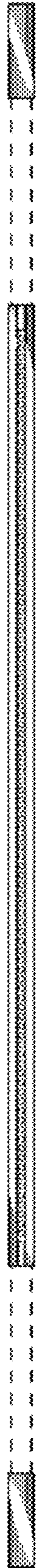


FIG. 11



FIG. 12

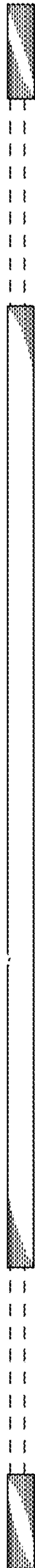


FIG. 13



FIG. 14

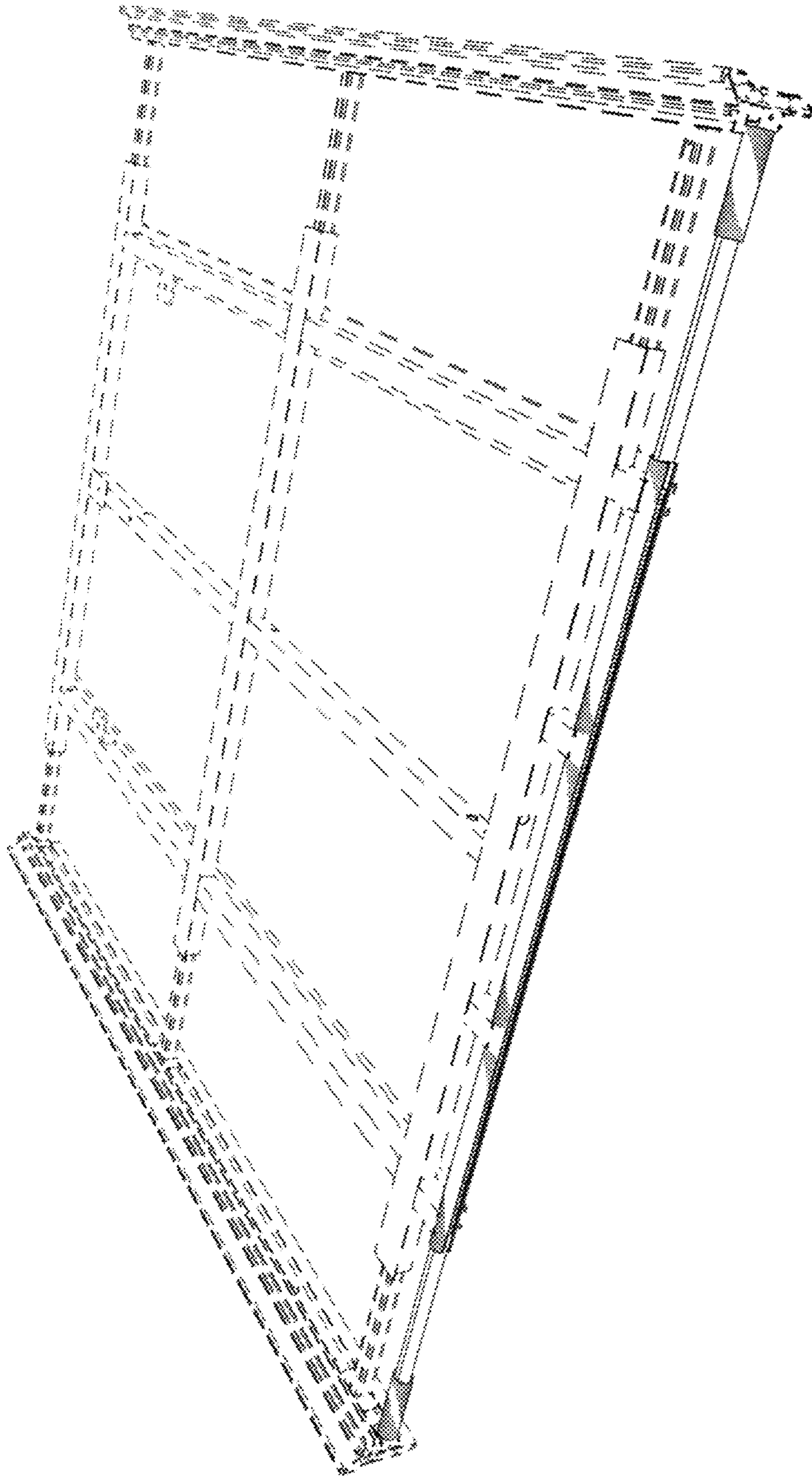


FIG. 15