



US00D890389S

(12) **United States Design Patent** (10) **Patent No.:** **US D890,389 S**
Lim et al. (45) **Date of Patent:** **** Jul. 14, 2020**

(54) **REAR COMBINATION LAMP FOR AN AUTOMOBILE**

(56) **References Cited**

(71) Applicants: **Hyundai Motor Company**, Seoul (KR); **Kia Motors Corporation**, Seoul (KR)

(72) Inventors: **Dae Hwan Lim**, Ansan-si (KR); **Byung Ho Kong**, Hwaseong-si (KR)

(73) Assignees: **Hyundai Motor Company**, Seoul (KR); **Kia Motors Corporation**, Seoul (KR)

(**) Term: **15 Years**

(21) Appl. No.: **35/506,921**

(22) Filed: **Dec. 7, 2018**

(80) **Hague Agreement Data**

Int. Filing Date: **Dec. 7, 2018**

Int. Reg. No.: **DM/200293**

Int. Reg. Date: **Dec. 7, 2018**

Int. Reg. Pub. Date: **Jun. 14, 2019**

(51) **LOC (12) Cl.** **26-06**

(52) **U.S. Cl.**
USPC **D26/28**

(58) **Field of Classification Search**
USPC D26/28
CPC F21S 48/00; F21S 48/10; F21S 48/115; F21S 48/225; F21S 48/1233; F21S 48/1266; F21S 48/1388; F21S 48/2266; F21V 21/04; B60Q 1/30; B60Q 1/2607; B60Q 1/2696; B62J 6/00; B62J 6/04

See application file for complete search history.

U.S. PATENT DOCUMENTS

D656,637 S *	3/2012	Choo	D26/28
D689,637 S *	9/2013	Kim	D26/28
D737,480 S *	8/2015	Park	D26/28
D777,960 S *	1/2017	Han	D26/28
D785,836 S *	5/2017	Lee	D26/28
D815,766 S *	4/2018	Park	D26/28
D832,477 S *	10/2018	Ha	D26/28
D834,230 S *	11/2018	Lee	D26/28
D842,507 S *	3/2019	Kim	D26/28
D868,321 S *	11/2019	Kong	D26/28
D869,716 S *	12/2019	Shim	D26/36
D871,632 S *	12/2019	Kim	D26/28
D872,915 S *	1/2020	Han	D26/28

* cited by examiner

Primary Examiner — **Natasha Vujcic**

(74) *Attorney, Agent, or Firm* — **Mintz Levin Cohn Ferris Glovsky and Popeo, P.C.**; **Peter F. Corless**; **Carolina E. Sève**

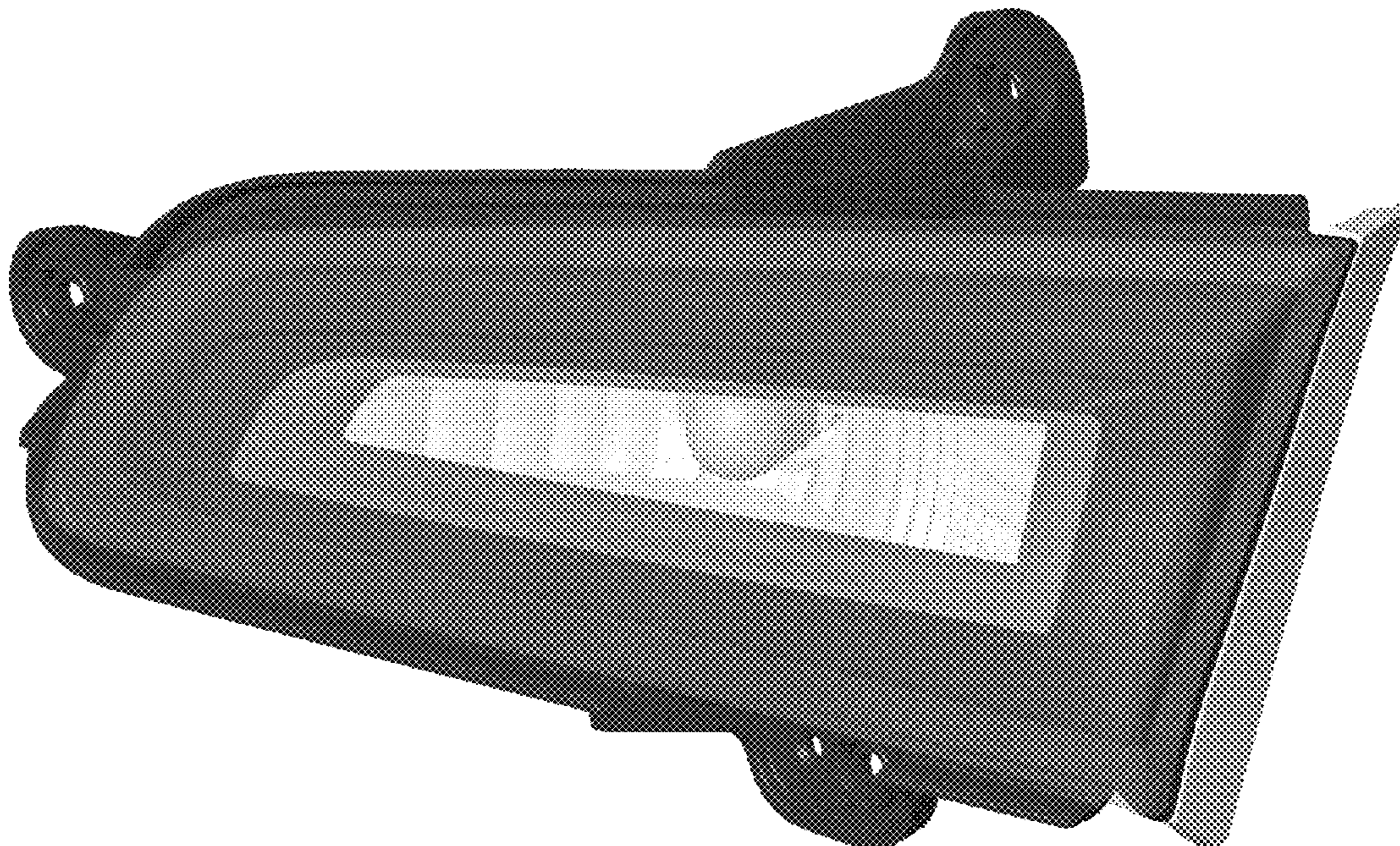
(57) **CLAIM**

The ornamental design for a rear combination lamp for an automobile, as shown and described.

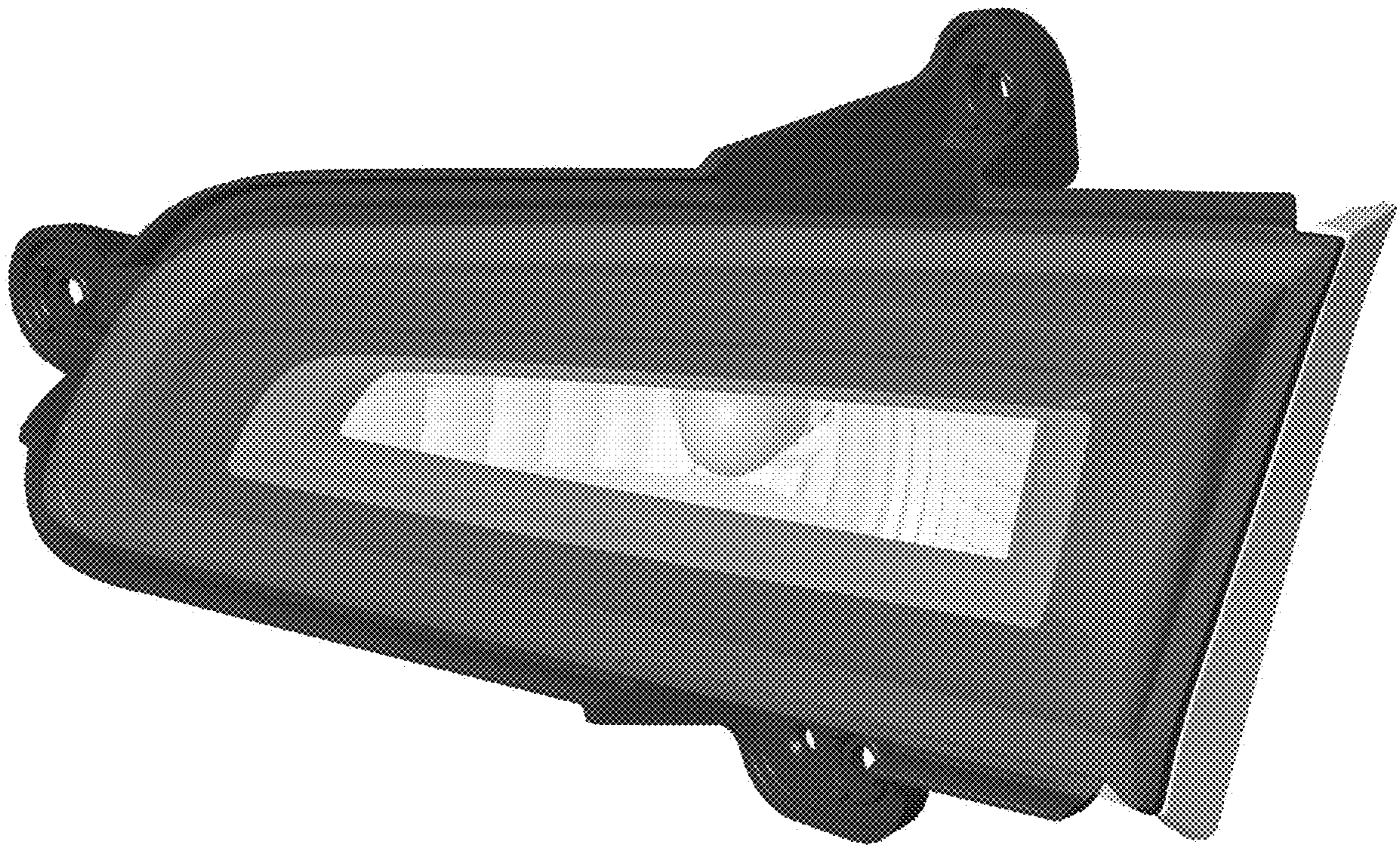
DESCRIPTION

1. Rear combination lamp for an automobile
- 1.1 is a front perspective view.
- 1.2 is a front view.
- 1.3 is a rear view.
- 1.4 is a left view.
- 1.5 is a right view.
- 1.6 is a top view.
- 1.7 is a bottom view.

1 Claim, 7 Drawing Sheets



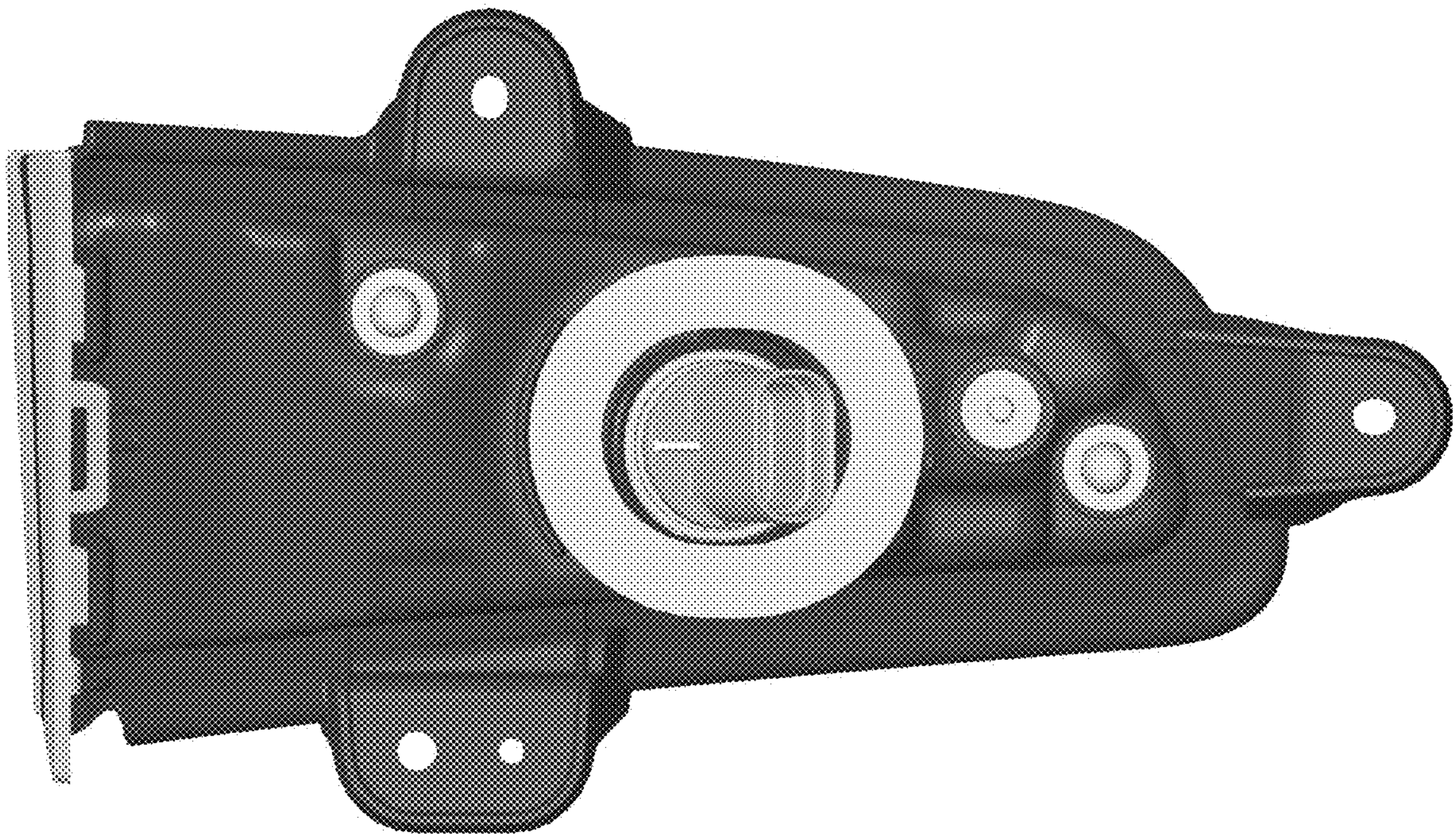
1.1



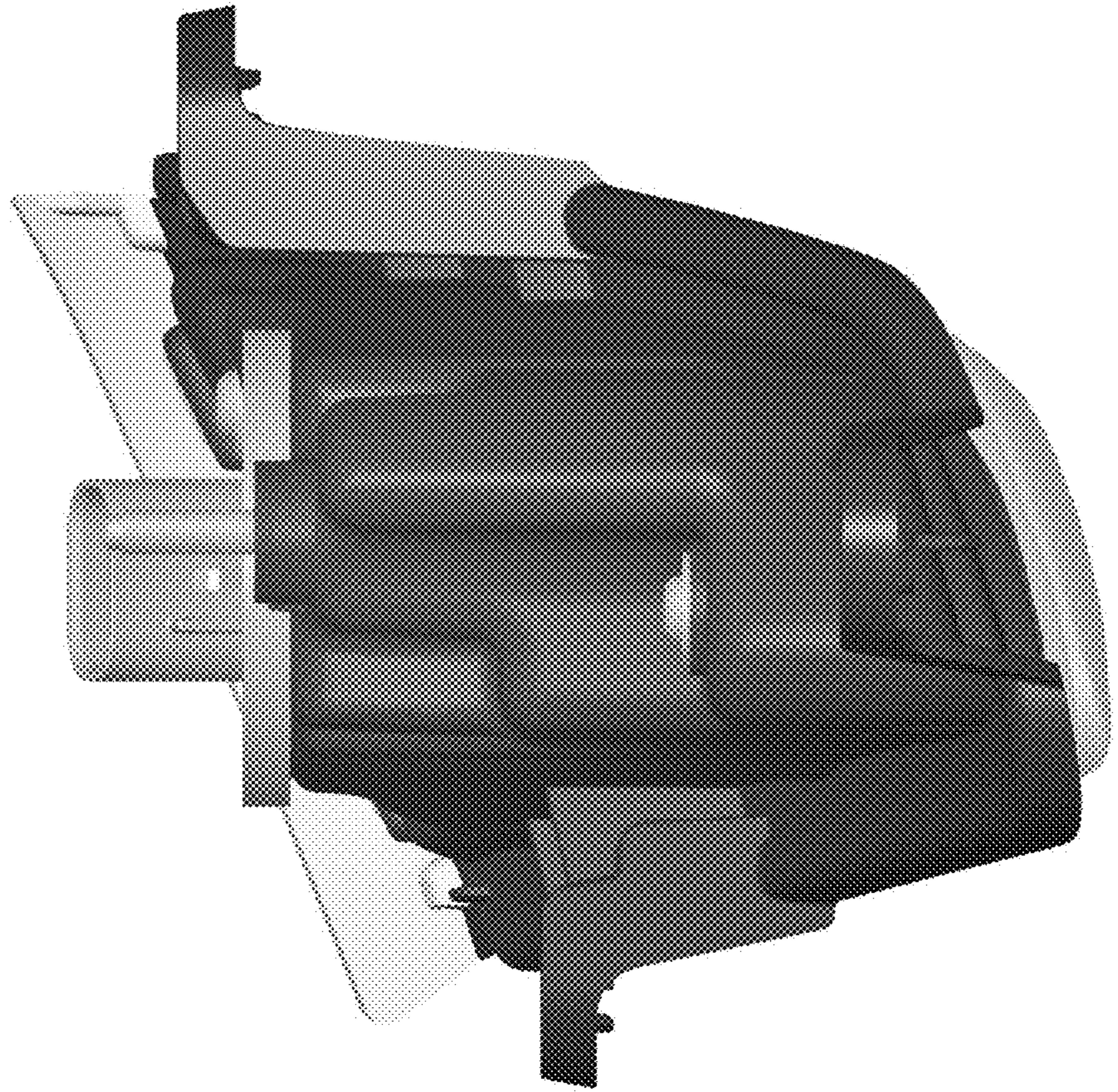
1.2



1.3



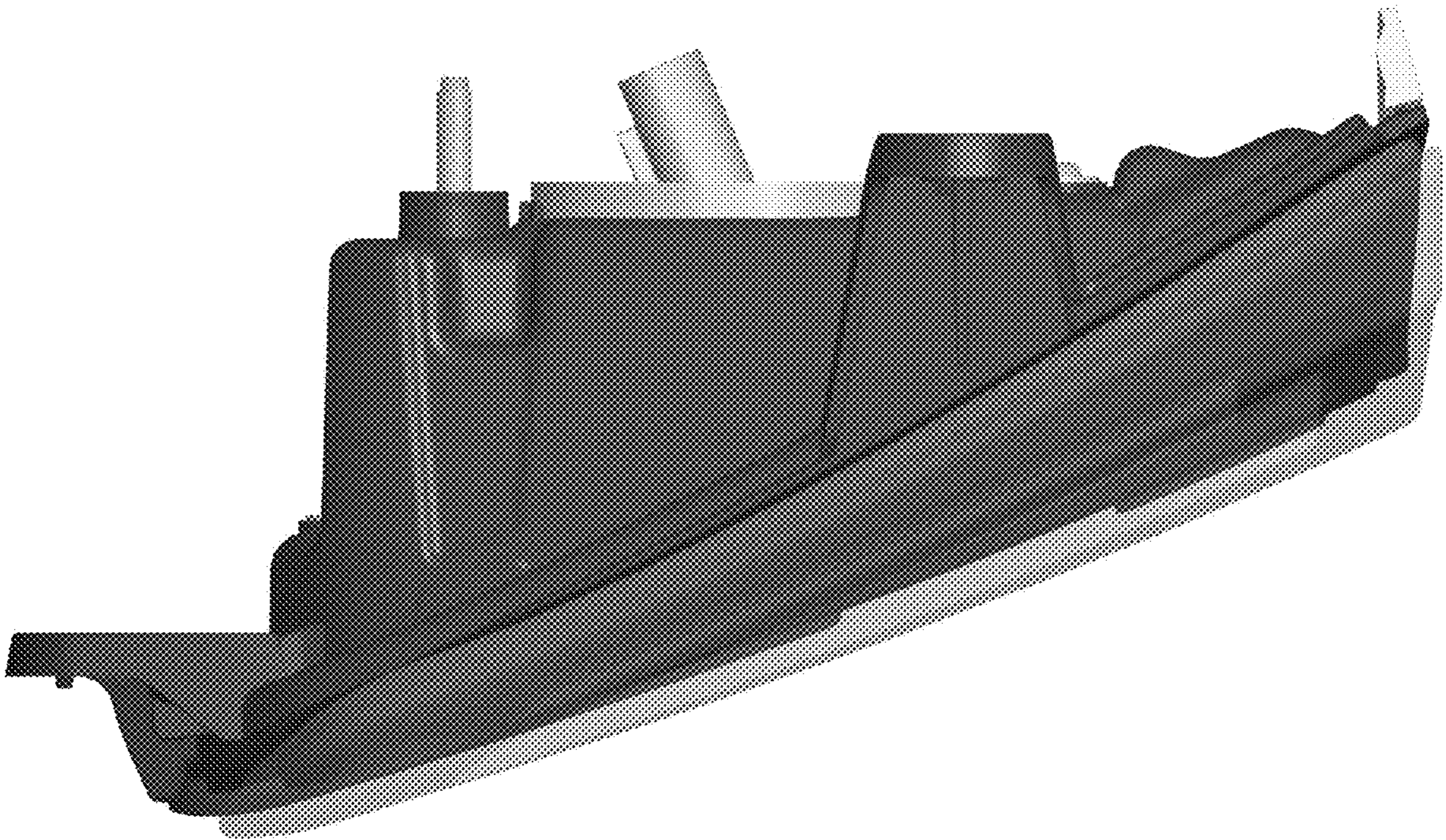
1.4



1.5



1.6



1.7

